



US00D692179S

(12) **United States Design Patent**
Stadlbauer et al.

(10) **Patent No.:** **US D692,179 S**
(45) **Date of Patent:** **** Oct. 22, 2013**

(54) **COSMETIC PENCIL**

(75) Inventors: **Sabine Stadlbauer**, Roßtal (DE);
Jürgen Raps, Hof (DE)

(73) Assignee: **Faber-Castell Aktiengesellschaft**, Stein (DE)

(**) Term: **14 Years**

(21) Appl. No.: **29/381,460**

(22) Filed: **Dec. 20, 2010**

(30) **Foreign Application Priority Data**

Jul. 5, 2010 (EM) 001727629

(51) **LOC (9) Cl.** **28-02**

(52) **U.S. Cl.**
USPC **D28/7**

(58) **Field of Classification Search**
USPC D28/7, 76, 77, 88; D19/36, 47, 49, 51,
D19/84, 85; 401/66; 206/1.7, 37, 214, 804,
206/385; 422/102; D3/201, 206
See application file for complete search history.

(56) **References Cited**

U.S. PATENT DOCUMENTS

D368,553 S *	4/1996	Welschoff et al.	D28/7
D443,104 S *	5/2001	Coates et al.	D28/7
D648,786 S *	11/2011	Jianjie	D19/36
D654,537 S *	2/2012	Hung	D19/36
D655,753 S *	3/2012	Han	D19/36
D656,545 S *	3/2012	Hung	D19/36

* cited by examiner

Primary Examiner — Zenia Bennett

(74) *Attorney, Agent, or Firm* — Calfee, Halter & Griswold LLP

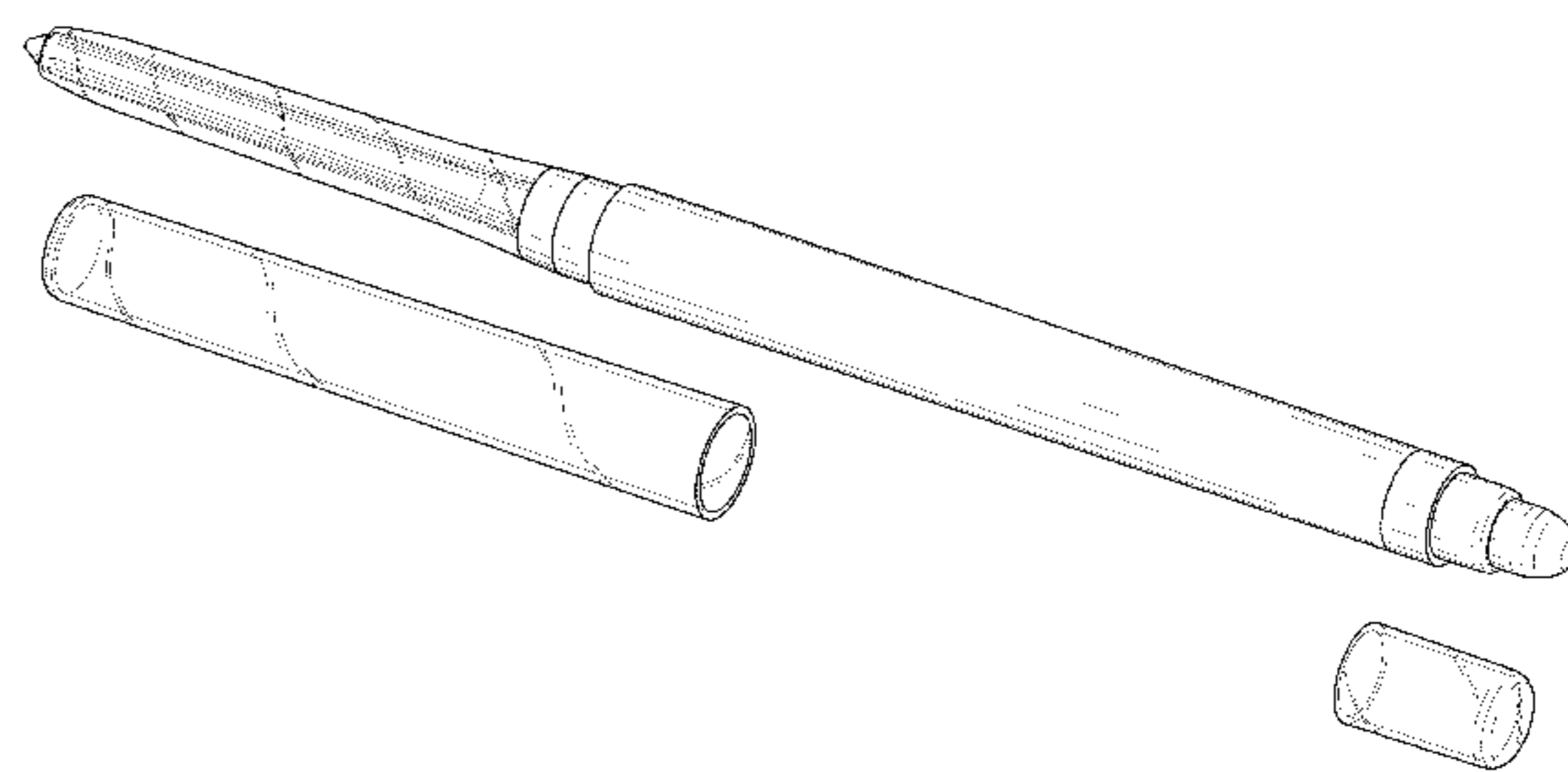
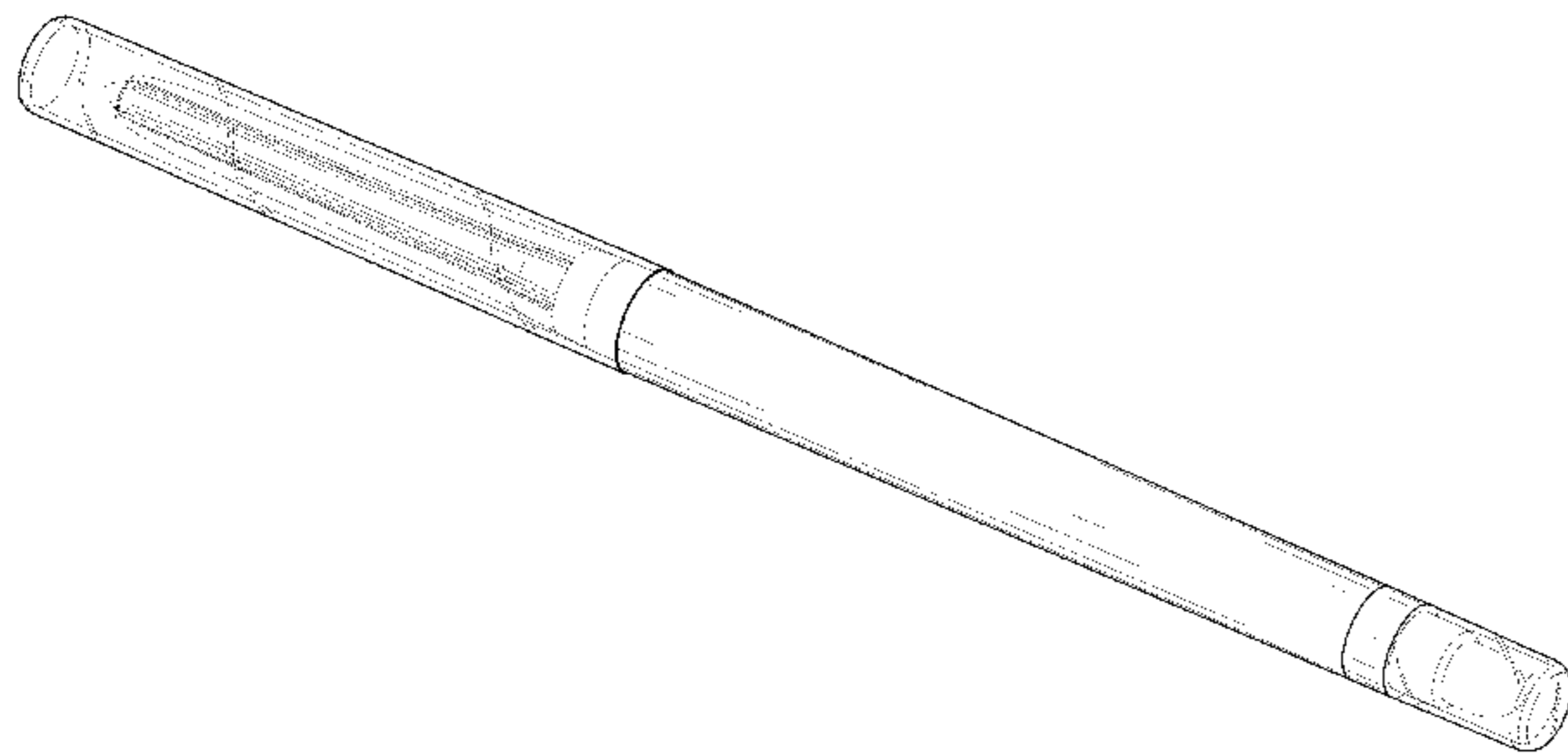
(57) **CLAIM**

I claim the ornamental design for a cosmetic pencil, as shown and described.

DESCRIPTION

FIG. 1 is a top-right-rear perspective view of a first embodiment of a cosmetic pencil;
 FIG. 2 is a top-right-front perspective view thereof;
 FIG. 3 is a right side view thereof, for which a left side view would be a mirror image thereof, and for which top and bottom views would be identical;
 FIG. 4 is a front view thereof;
 FIG. 5 is a rear view thereof;
 FIG. 6 is a top-right-rear perspective view thereof, with first and second caps removed; and
 FIG. 7 is a top-right-front perspective view thereof, with first and second caps removed.
 FIG. 8 is a top-right-rear perspective view of a second embodiment of a cosmetic pencil;
 FIG. 9 is a top-right-front perspective view thereof;
 FIG. 10 is a right side view thereof, for which a left side view would be a mirror image thereof, and for which top and bottom views would be identical;
 FIG. 11 is a front view thereof;
 FIG. 12 is a rear view thereof;
 FIG. 13 is a top-right-rear perspective view thereof, with first and second caps removed; and,
 FIG. 14 is a top-right-front perspective view thereof, with first and second caps removed.
 The stippling in FIGS. 8-14 represents a contrast of color.

1 Claim, 10 Drawing Sheets



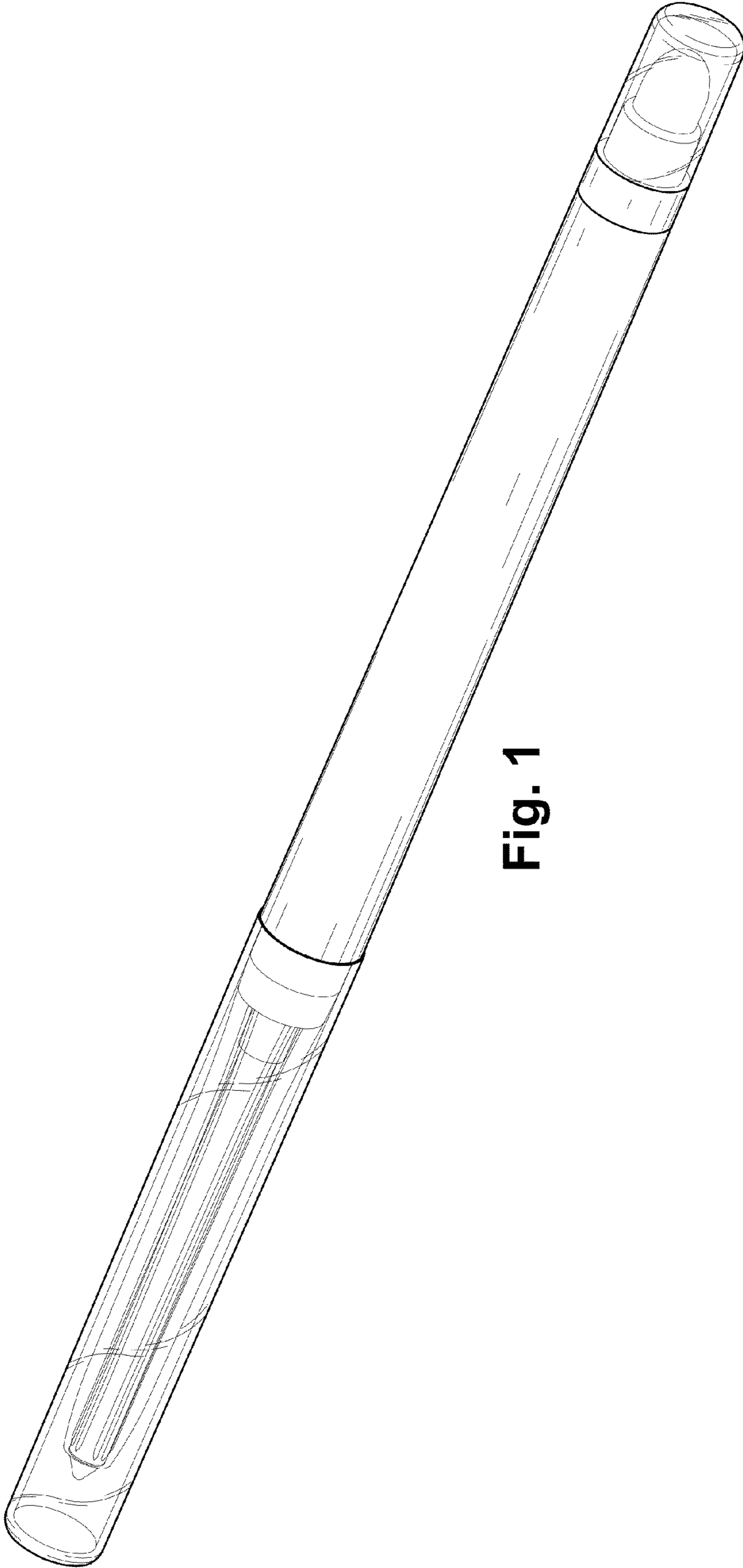


Fig. 1

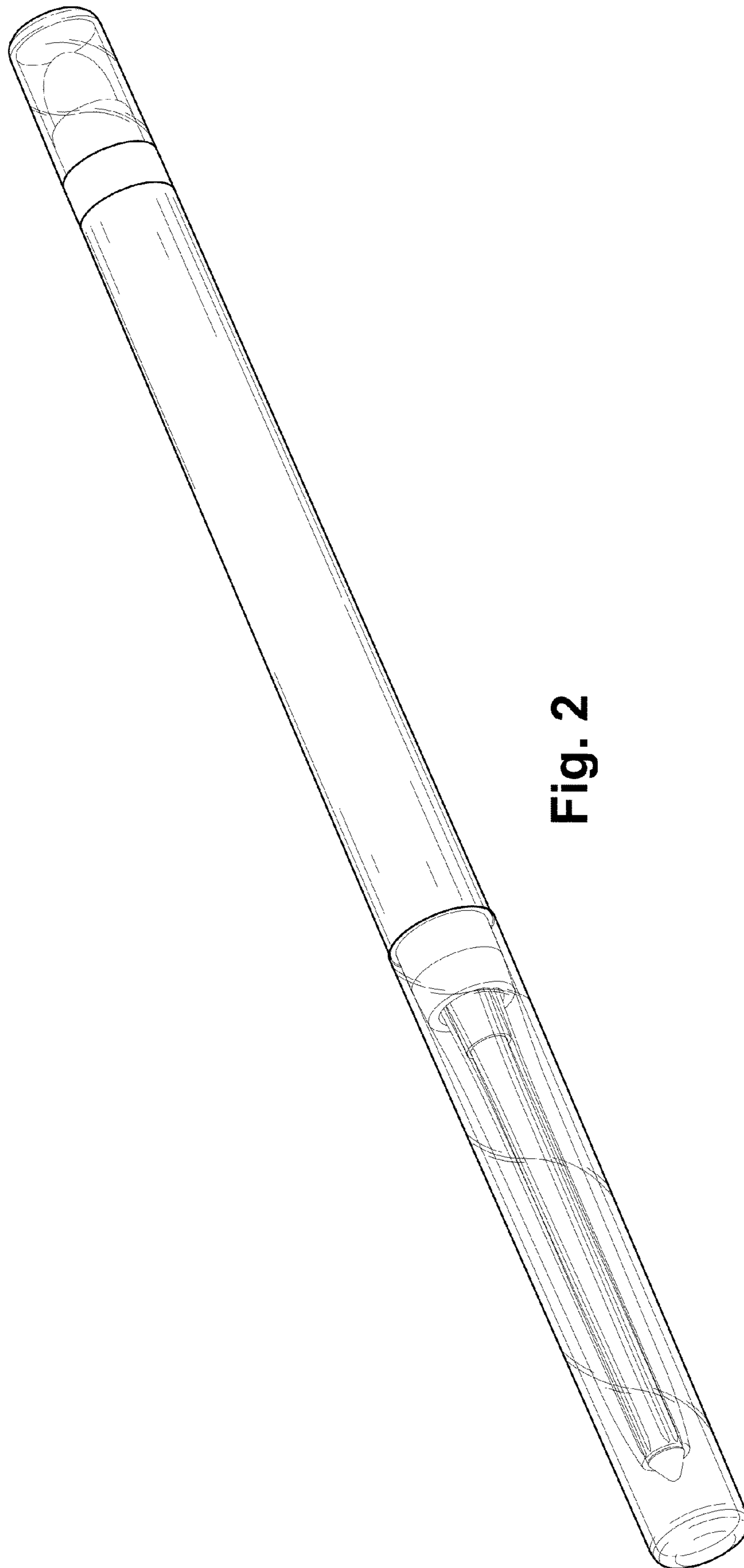


Fig. 2

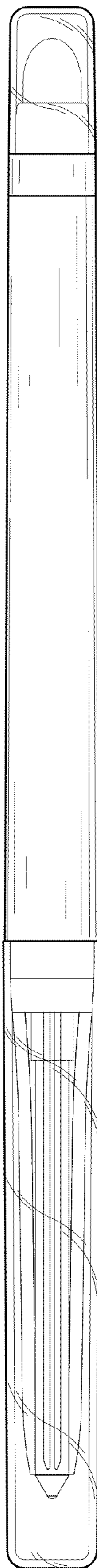


Fig. 3

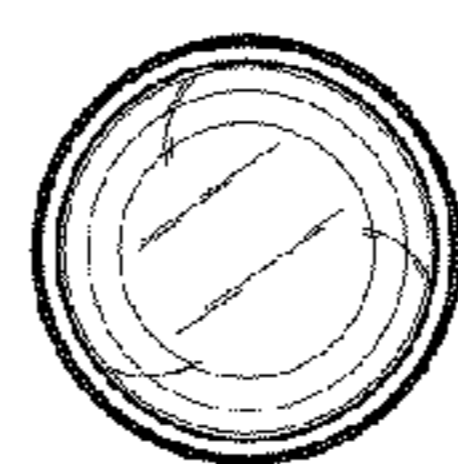


Fig. 5

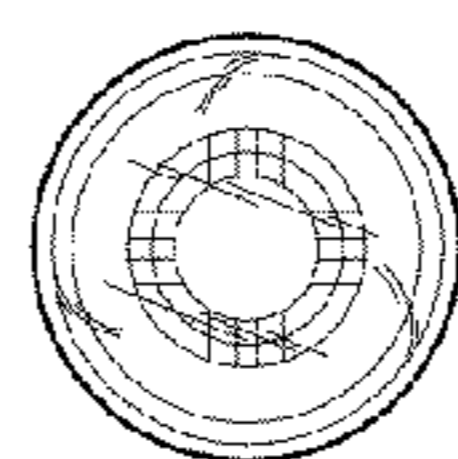


Fig. 4

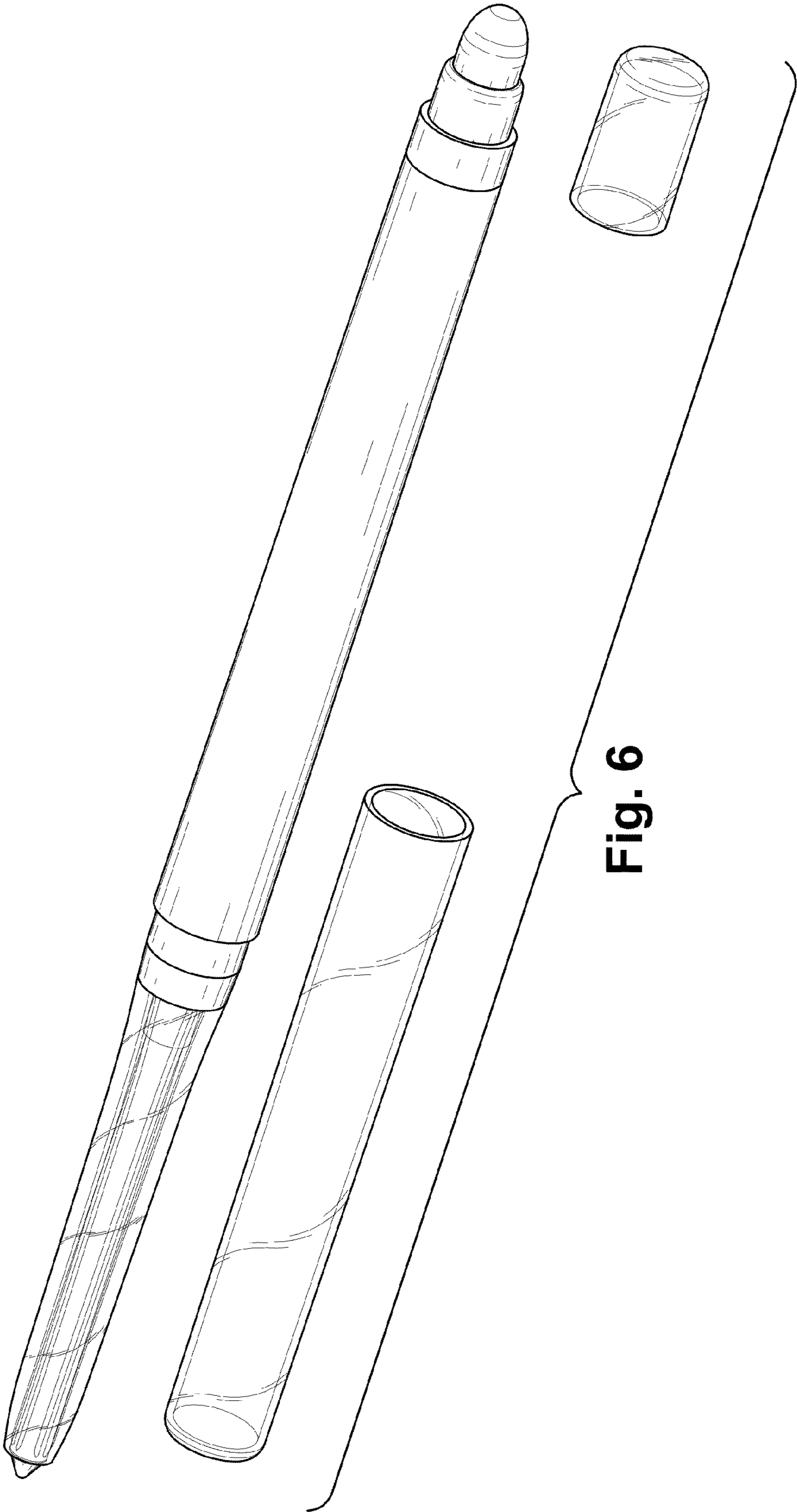


Fig. 6

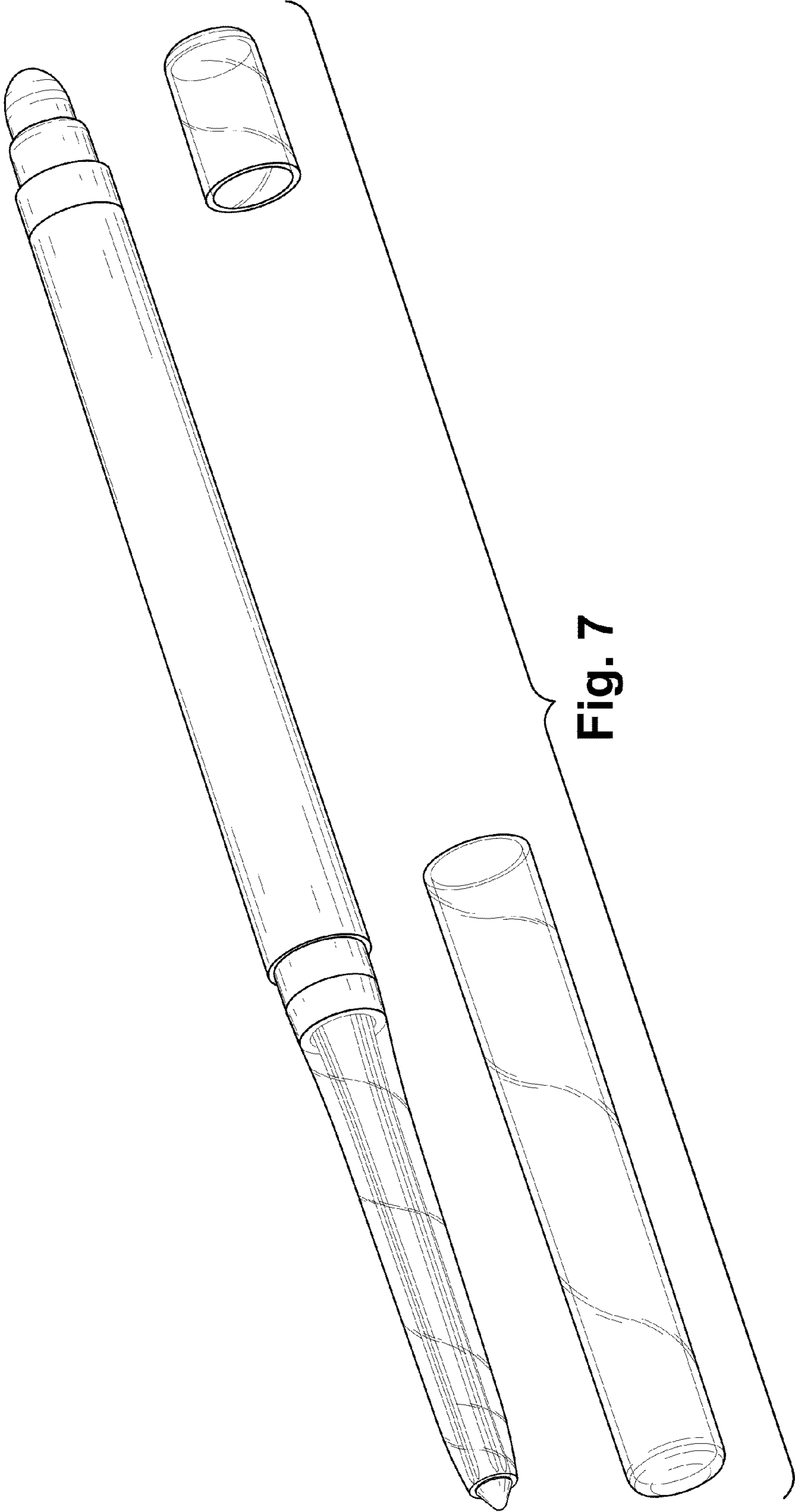


Fig. 7

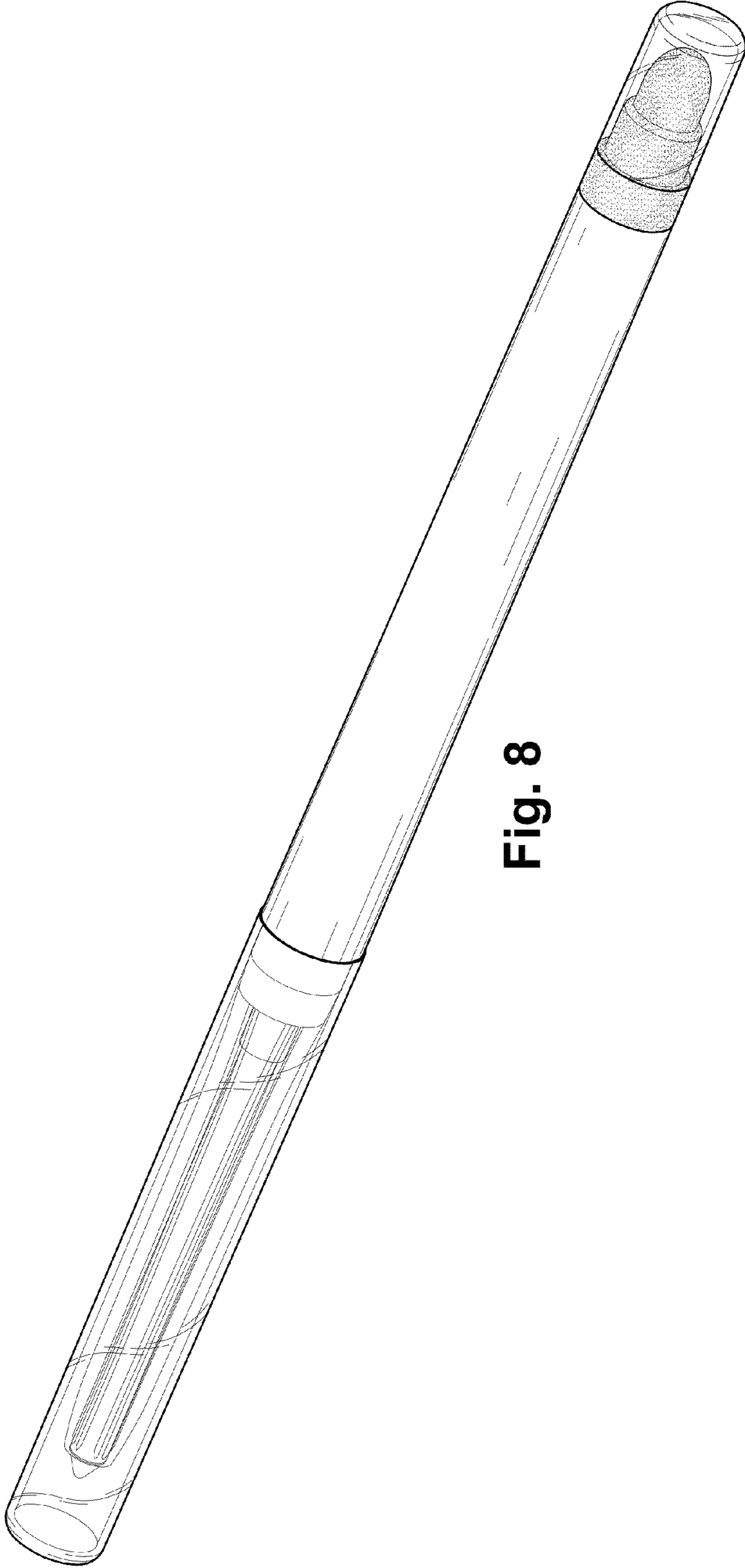


Fig. 8

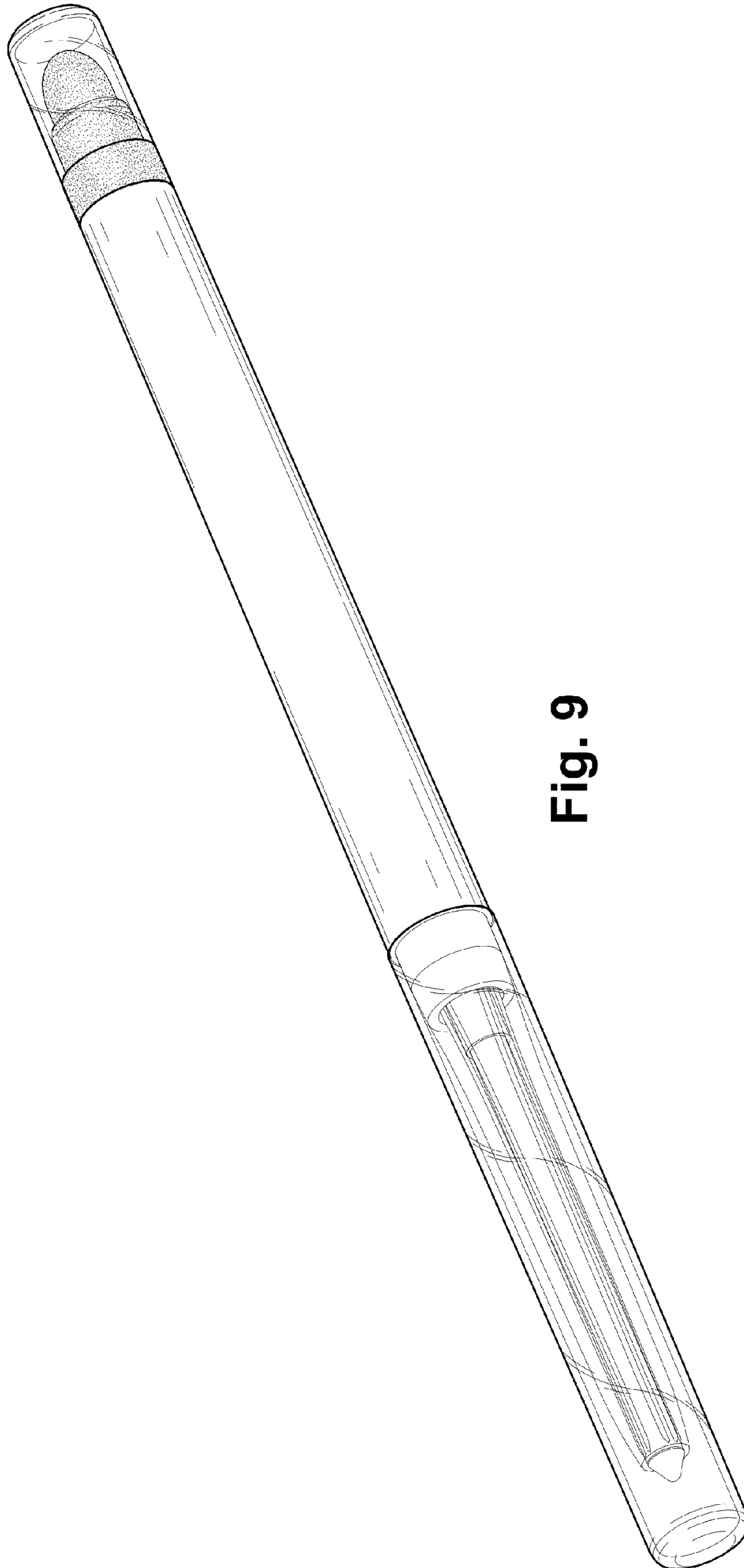


Fig. 9

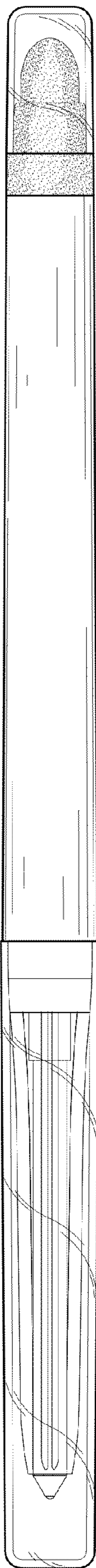


Fig. 10



Fig. 11

Fig. 12

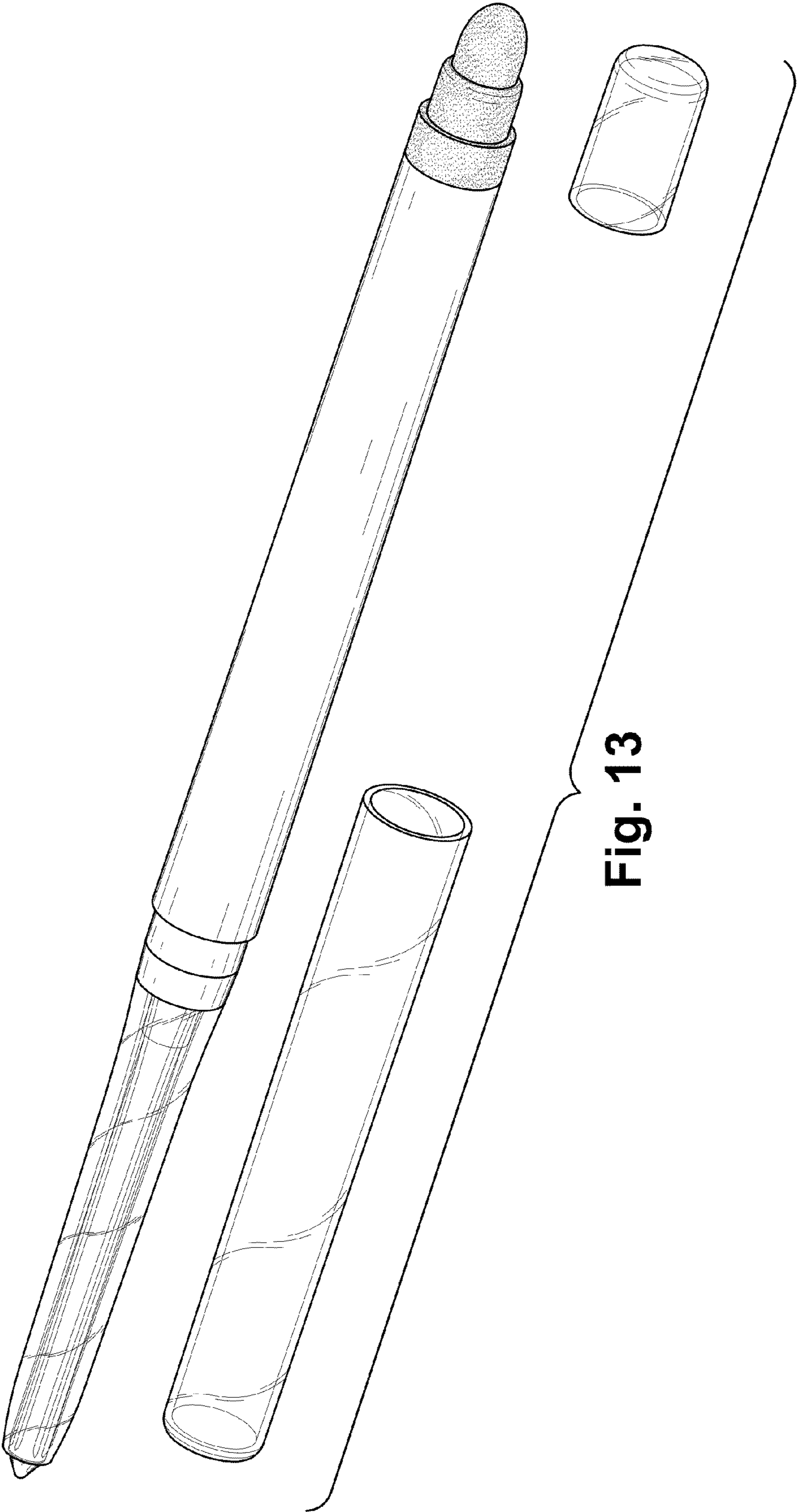


Fig. 13

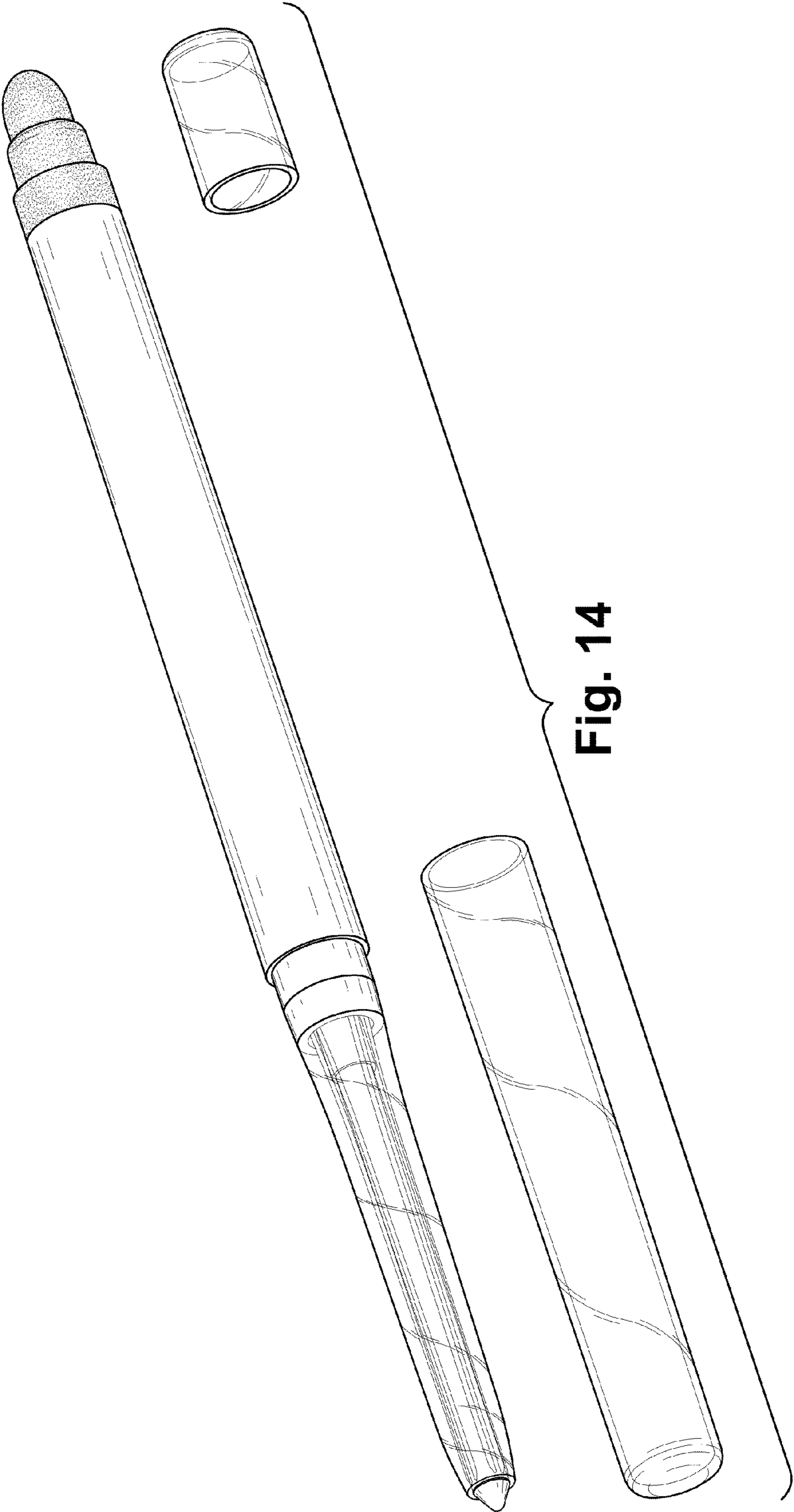


Fig. 14