

US00D692178S

(12) **United States Design Patent**
Scott et al.

(10) **Patent No.:** **US D692,178 S**

(45) **Date of Patent:** **** *Oct. 22, 2013**

(54) **APPLICATOR CLIP FOR APPLYING A HAIR COMPOSITION TO A BUNDLE OF HAIR STRANDS**

(75) Inventors: **Daniel Scott**, Egham (GB); **David Dombrowski**, Cincinnati, OH (US); **Natasha Jane Evans**, Egham (GB); **William John Davis**, Bath (GB); **David James Mc Neill**, Bath (GB)

(73) Assignee: **The Procter & Gamble Company**, Cincinnati, OH (US)

(*) Notice: This patent is subject to a terminal disclaimer.

(**) Term: **14 Years**

(21) Appl. No.: **29/375,022**

(22) Filed: **Sep. 16, 2010**

(30) **Foreign Application Priority Data**

Mar. 16, 2010 (WO) DM/074205

(51) **LOC (9) Cl.** **28-02**

(52) **U.S. Cl.**
USPC **D28/7**

(58) **Field of Classification Search**
USPC D28/21-34, 39-43, 7, 8; 132/101, 126, 132/128-131, 144, 148, 219, 275-284, 108, 132/202, 208, 317, 320; D2/851; D19/34, D19/65

See application file for complete search history.

(56) **References Cited**

U.S. PATENT DOCUMENTS

D280,942 S * 10/1985 Topalian D28/42
D324,278 S * 2/1992 Agajan, Jr. D28/7
6,062,231 A * 5/2000 De Laforcade 132/145
6,250,312 B1 * 6/2001 Dasilva 132/208

D452,881 S * 1/2002 Chien D19/65
D492,727 S * 7/2004 Nuttall et al. D19/65
7,357,137 B2 * 4/2008 Husband et al. 132/270
D582,095 S * 12/2008 Minnelli D28/42
D592,803 S * 5/2009 Tsai D28/39
D626,691 S * 11/2010 Hsu D28/42
D637,480 S * 5/2011 Chen et al. D8/390
8,033,286 B2 * 10/2011 Perry 132/270
8,091,559 B2 1/2012 Lund
8,132,570 B2 3/2012 Glenn, Jr.
8,132,574 B2 3/2012 Baker
8,186,363 B2 * 5/2012 Smith 132/270
2006/0076033 A1 * 4/2006 Bouix 132/320
2007/0144550 A1 * 6/2007 Roher 132/208
2008/0083418 A1 * 4/2008 Glenn et al. 132/208
2008/0083419 A1 4/2008 Glenn, Jr.
2008/0308119 A1 12/2008 Smith
2009/0071496 A1 * 3/2009 Glenn et al. 132/208
2009/0084393 A1 4/2009 Baker
2009/0223531 A1 9/2009 Lund
2010/0101595 A1 * 4/2010 Glenn et al. 132/208
2010/0139685 A1 * 6/2010 Smith 132/208

* cited by examiner

Primary Examiner — Zenia Bennett

(74) *Attorney, Agent, or Firm* — James T. Fondriest; Melody A. Jones

(57) **CLAIM**

The ornamental design for an applicator clip for applying a hair treatment composition to a bundle of hair strands, as shown and described.

DESCRIPTION

FIG. 1 is a perspective view of our new design in a closed position, the design being capable of being in an open or closed position.

FIG. 2 is a front view.

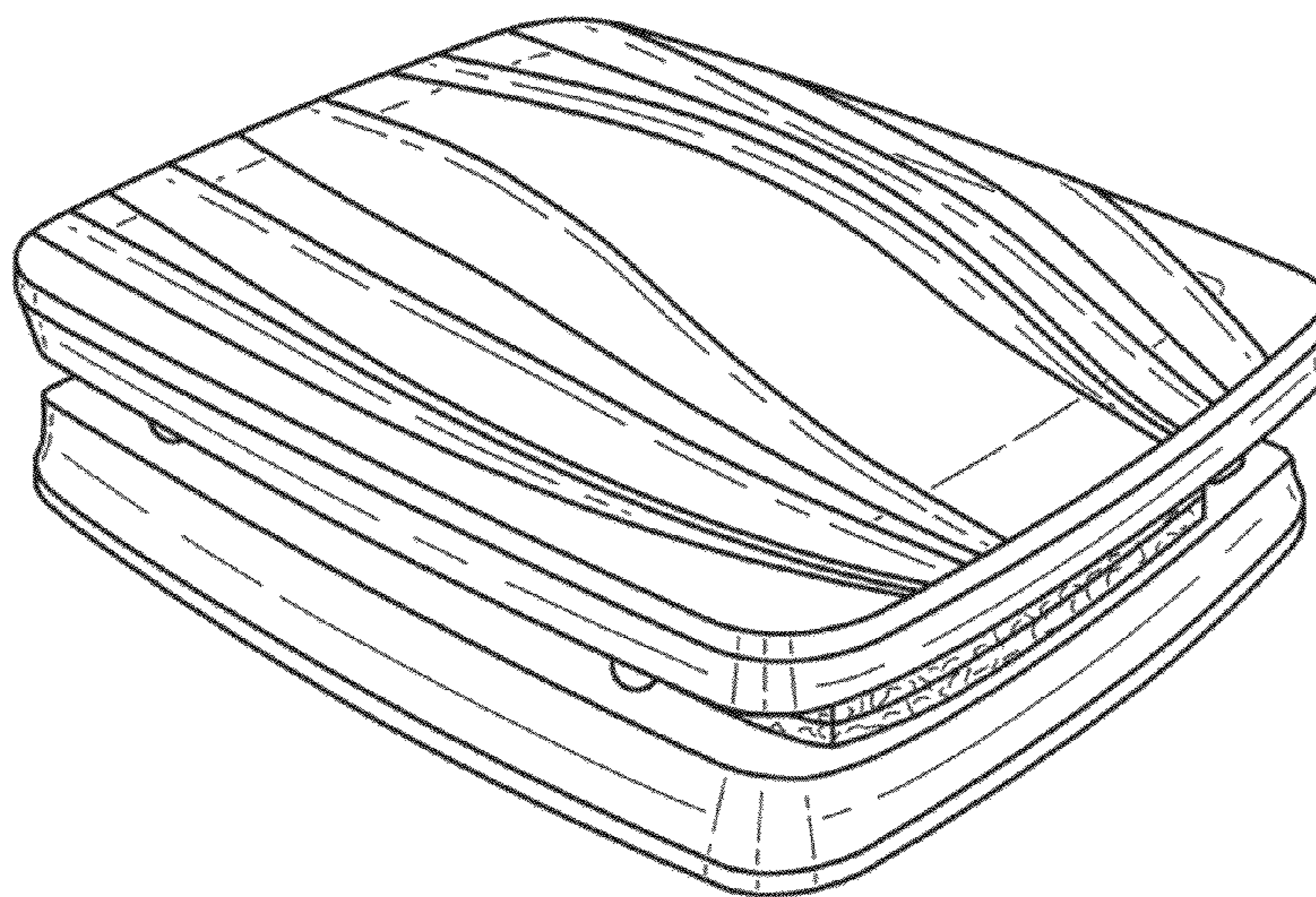
FIG. 3 is a back view.

FIG. 4 is a left view; and,

FIG. 5 is a bottom view.

The broken lines are for environmental purposes only and form no part of the claimed design.

1 Claim, 2 Drawing Sheets



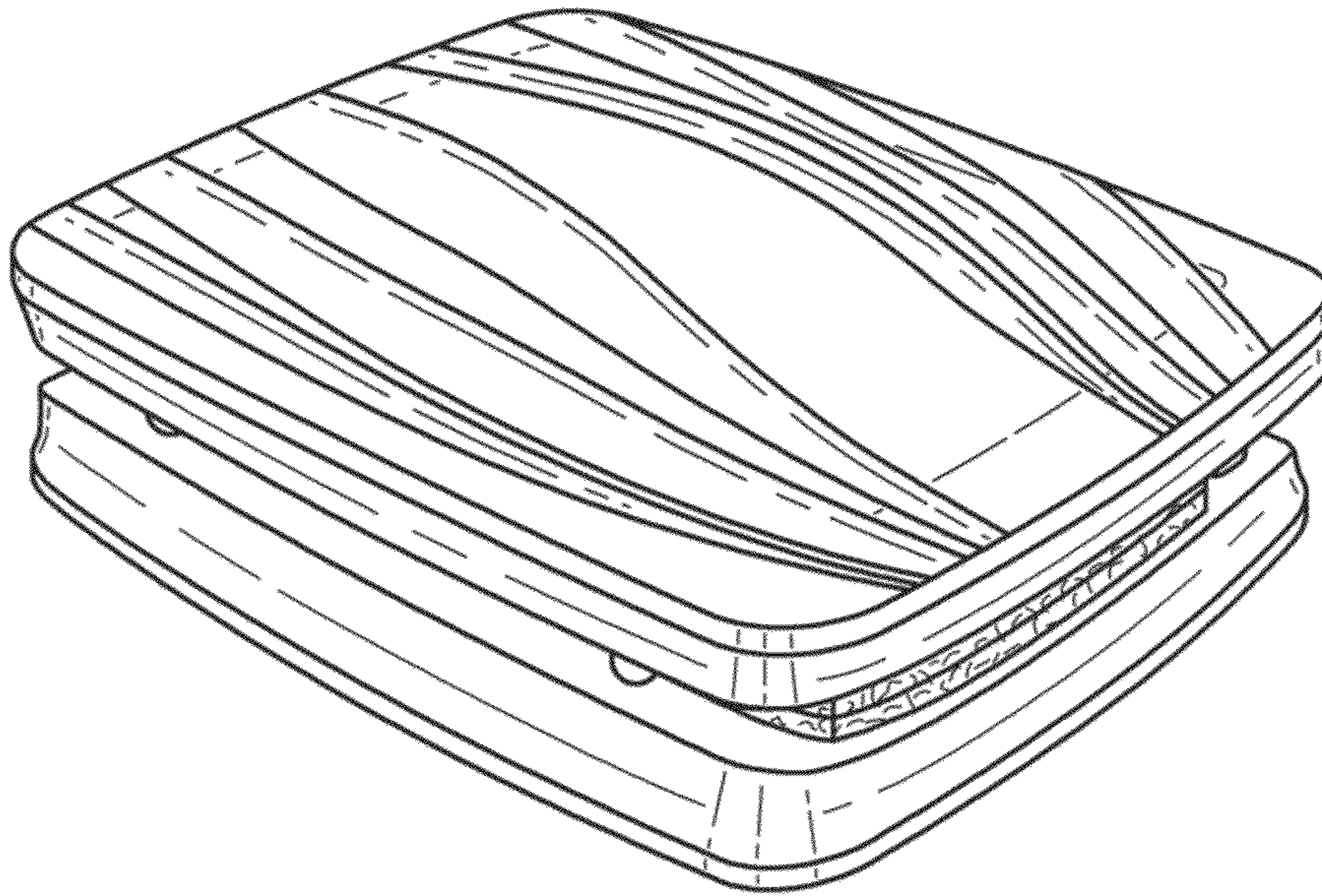


Fig. 1

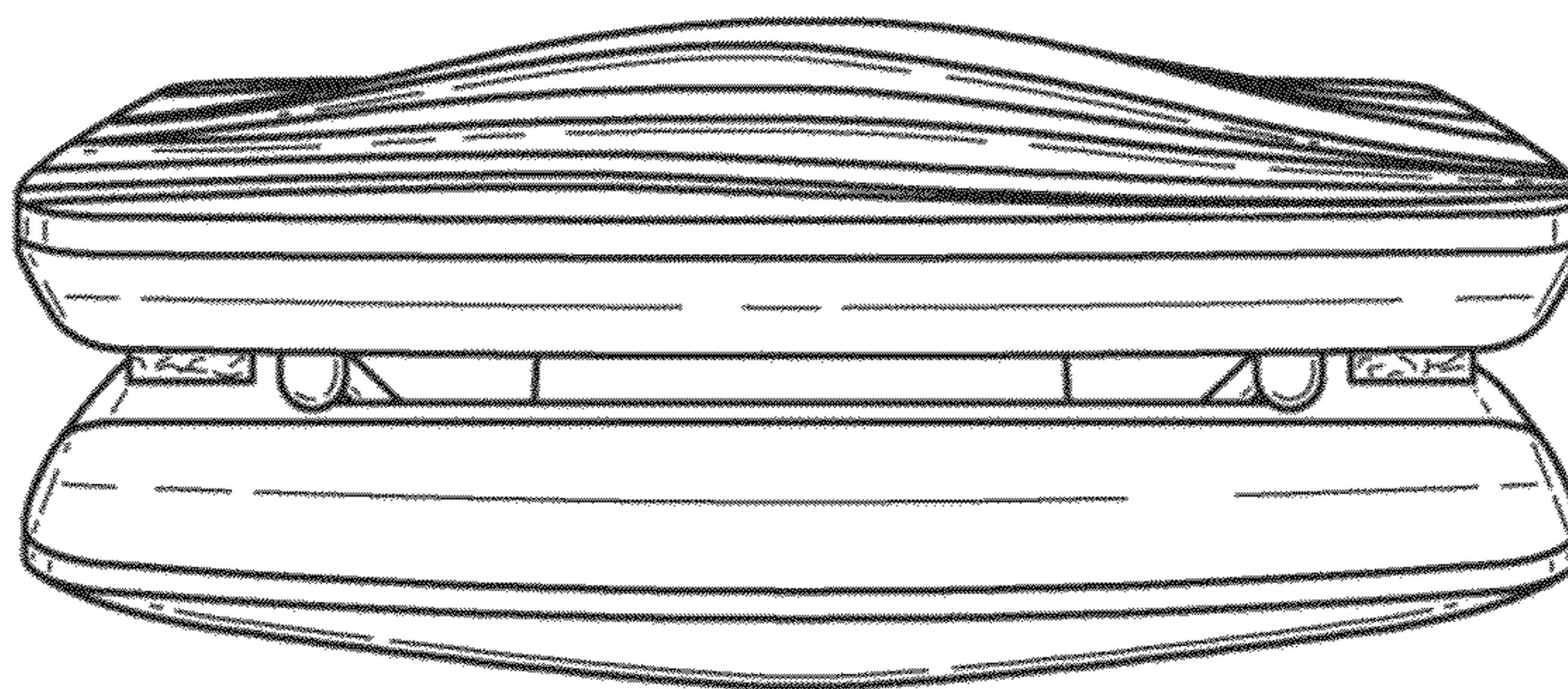


Fig. 2

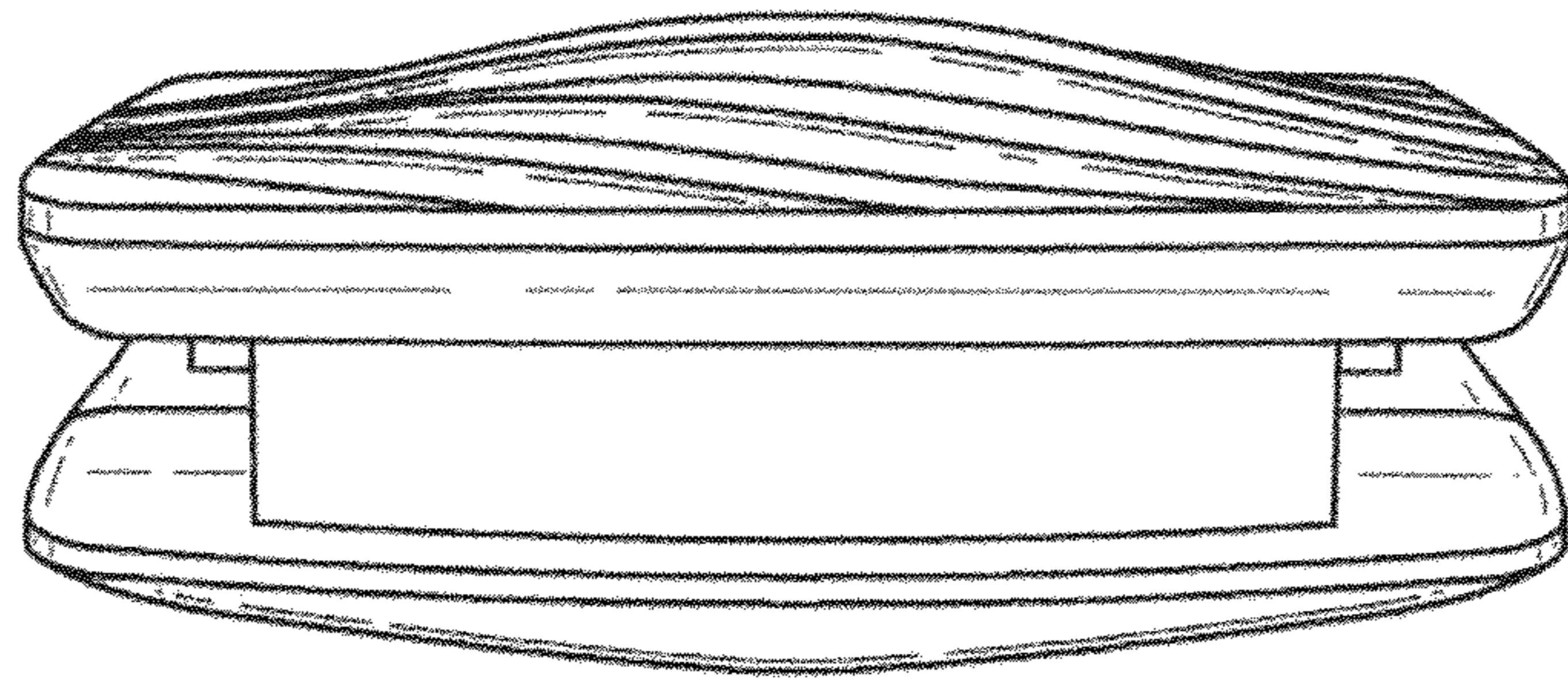


Fig. 3

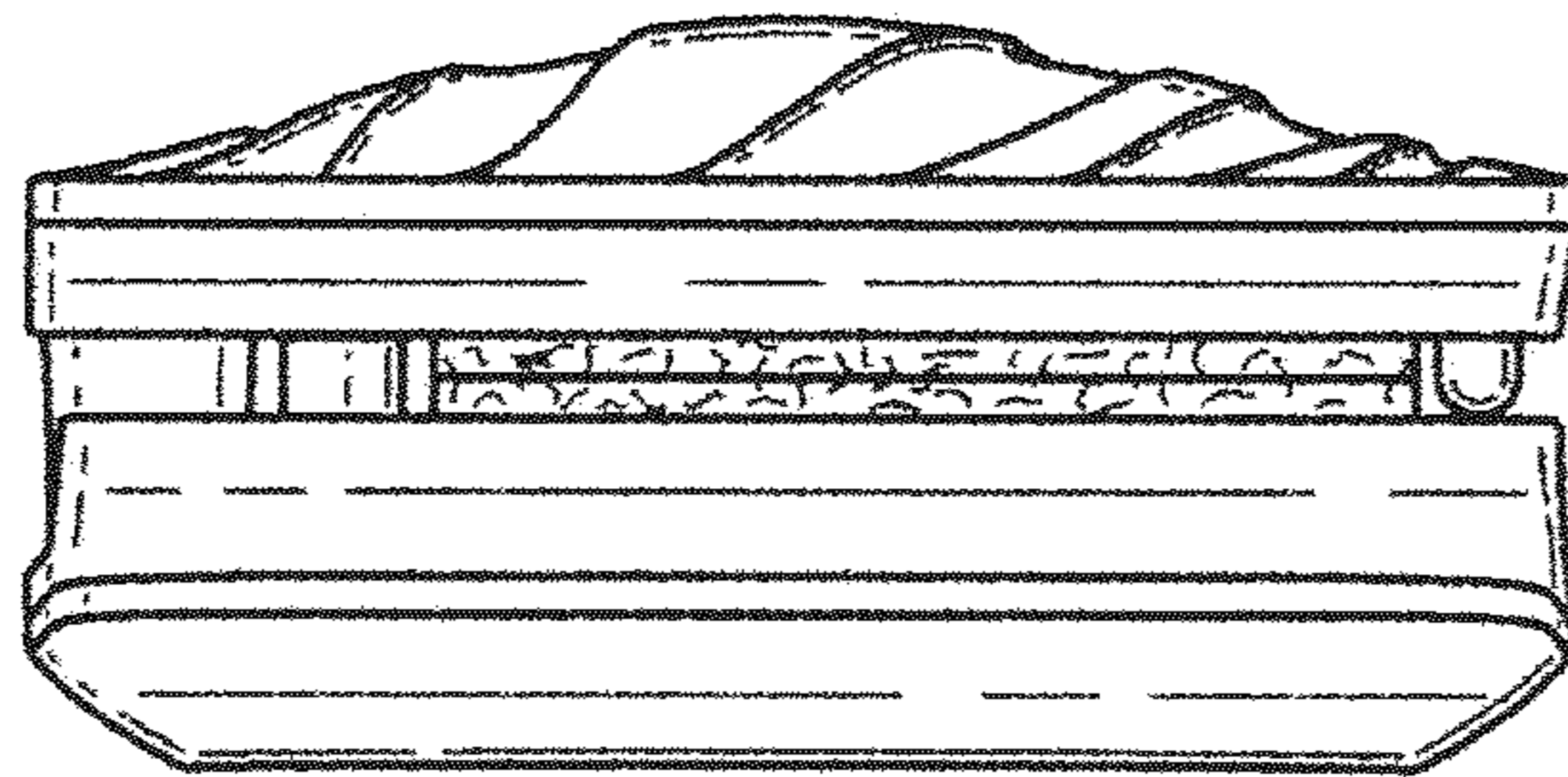


Fig. 4

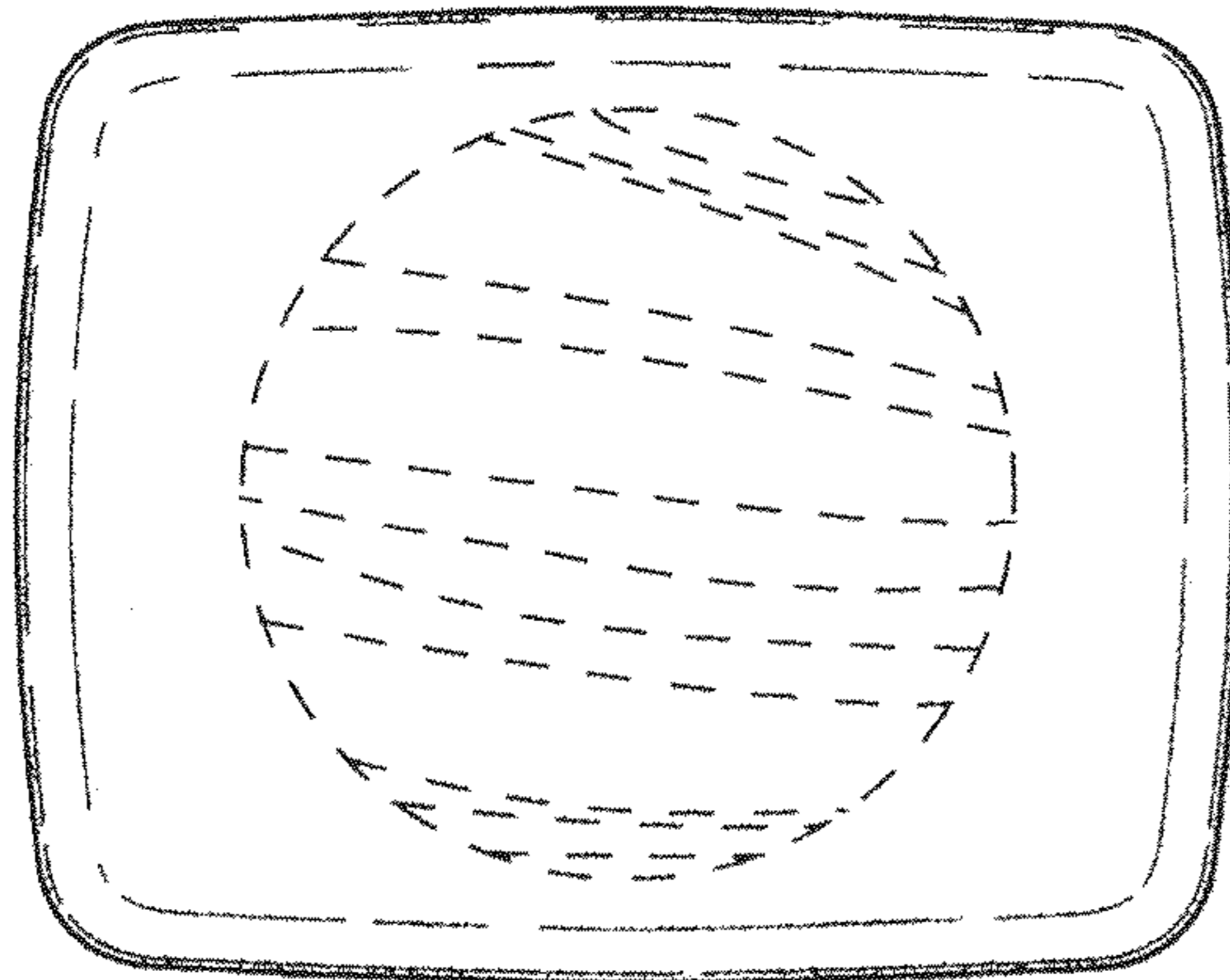


Fig. 5