



US00D692177S

(12) **United States Design Patent**
Angiolillo

(10) **Patent No.:** **US D692,177 S**
(45) **Date of Patent:** **** Oct. 22, 2013**

(54) **CIGAR AND ACCESSORIES PREFORMED CARRYING CASE**

(71) Applicant: **Chuck Angiolillo**, Burlington, MA (US)

(72) Inventor: **Chuck Angiolillo**, Burlington, MA (US)

(**) Term: **14 Years**

(21) Appl. No.: **29/445,947**

(22) Filed: **Feb. 19, 2013**

(51) **LOC (9) Cl.** **27-06**

(52) **U.S. Cl.**
USPC **D27/189**

(58) **Field of Classification Search**

USPC D27/100, 101, 103–105, 108, 125,
D27/163–165, 170, 172, 174–176,
D27/183–194; D34/2; 206/242–276; D3/11,
D3/215, 220, 226–230, 265, 266, 294, 315,
D3/321, 281; 4/258, 259, 267, 271, 283;
131/270–273, 329, 330, 194, 189, 347,
131/360–365; D24/110, 113; D19/77, 81,
D19/84; D28/73–77, 83, 85; D9/702, 710,
D9/423, 721, 414, 420, 737, 751, 456;
D14/138 AA, 138 AD; D13/108

See application file for complete search history.

(56) **References Cited**

U.S. PATENT DOCUMENTS

D205,579 S *	8/1966	Schurman	D3/281
D205,580 S *	8/1966	Schurman	D3/281
3,370,697 A *	2/1968	Levey et al.	206/375
D256,522 S *	8/1980	Peterson	D3/284
D266,147 S *	9/1982	McIntosh et al.	D9/751
D280,976 S *	10/1985	Diamond	D9/456
4,723,657 A *	2/1988	Robinson	206/320
D300,987 S *	5/1989	Gerch	D3/319
4,852,293 A *	8/1989	Levine et al.	43/54.1
D314,273 S *	2/1991	Minneman	D3/262
D318,934 S *	8/1991	Embrey	D28/61
D325,127 S *	4/1992	Diaz	D3/284

D327,363 S *	6/1992	Farb	D3/203.1
D341,027 S *	11/1993	Godden et al.	D3/274
D343,120 S *	1/1994	Lapsker et al.	D9/423
D347,729 S *	6/1994	Bible, Jr.	D3/274
D358,408 S *	5/1995	McGarry	D3/274
D359,163 S *	6/1995	Summerfield et al.	D3/205
D365,754 S *	1/1996	Plassier	D9/423
D376,690 S *	12/1996	Lockerby	D3/284
D379,562 S *	6/1997	Carter	D3/295
D380,380 S *	7/1997	Quinton	D9/737
D380,611 S *	7/1997	Mancusi	D3/284
D385,310 S *	10/1997	Heitmann	D21/393
5,839,553 A *	11/1998	Dorsam	190/109
D405,262 S *	2/1999	Cashdollar	D3/276
D429,608 S *	8/2000	Hoffman	D7/629
D458,751 S *	6/2002	Hsieh	D3/294
D554,866 S *	11/2007	Hasty	D3/319
D627,508 S *	11/2010	Showers	D27/185
2009/0014019 A1 *	1/2009	Park	131/328

* cited by examiner

Primary Examiner — Susan Bennett Hattan

Assistant Examiner — Janice Hallmark

(74) *Attorney, Agent, or Firm* — Gary E. Lambert; David J. Connaughton, Jr.; Lambert & Associates

(57) **CLAIM**

The ornamental design for a cigar and accessories preformed carrying case, as shown and described.

DESCRIPTION

FIG. 1 is a three-dimensional view of the cigar and accessories preformed carrying case in an open position, which embodies my design;

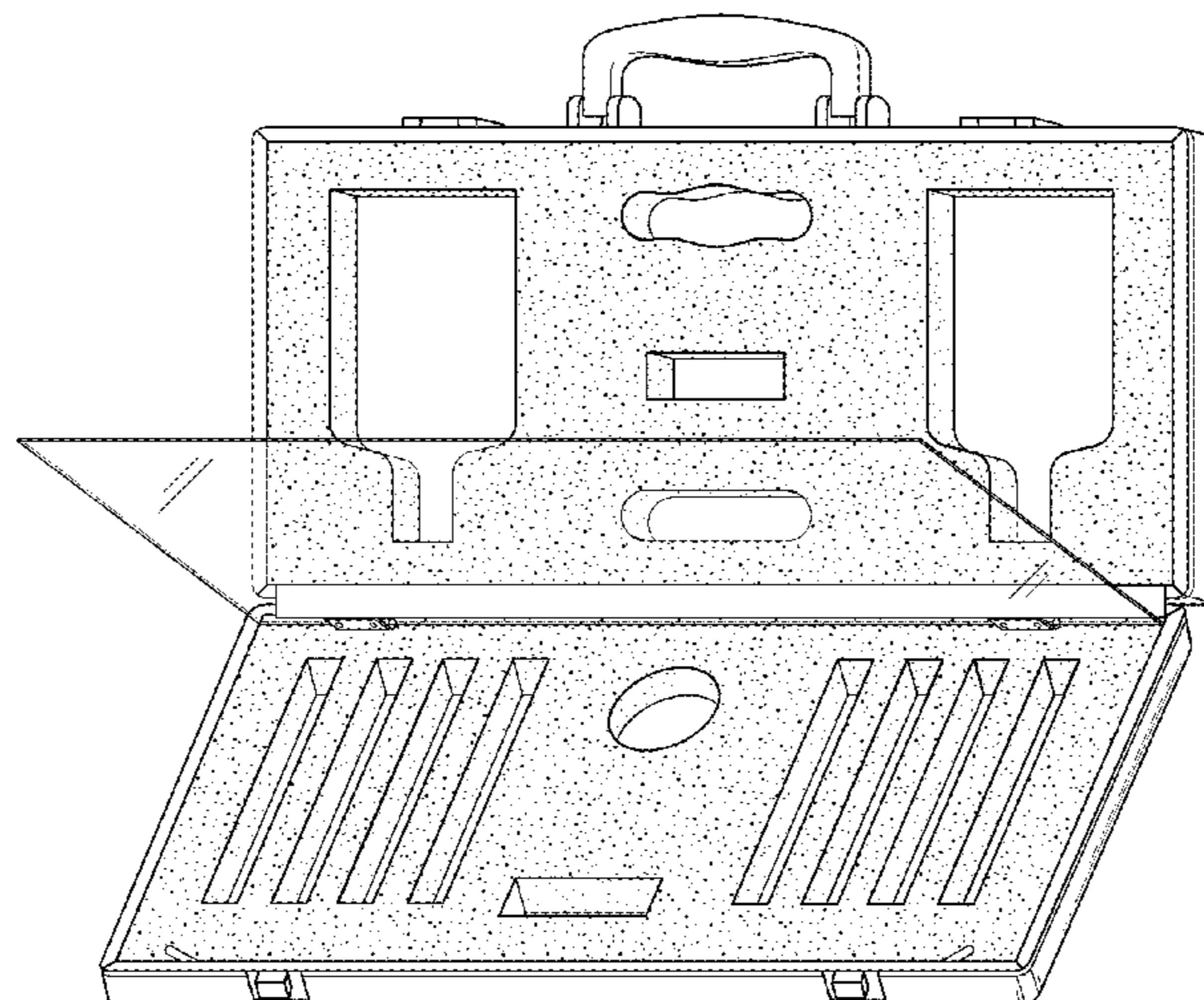
FIG. 2 is a top plan view cigar and accessories preformed carrying case in an open position;

FIG. 3 is a top side view of the cigar and accessories preformed carrying case in a closed position;

FIG. 4 is a top plan view of the cigar and accessories preformed carrying case in a closed position; and,

FIG. 5 is a right side view of the cigar and accessories preformed carrying case in a closed position.

1 Claim, 3 Drawing Sheets



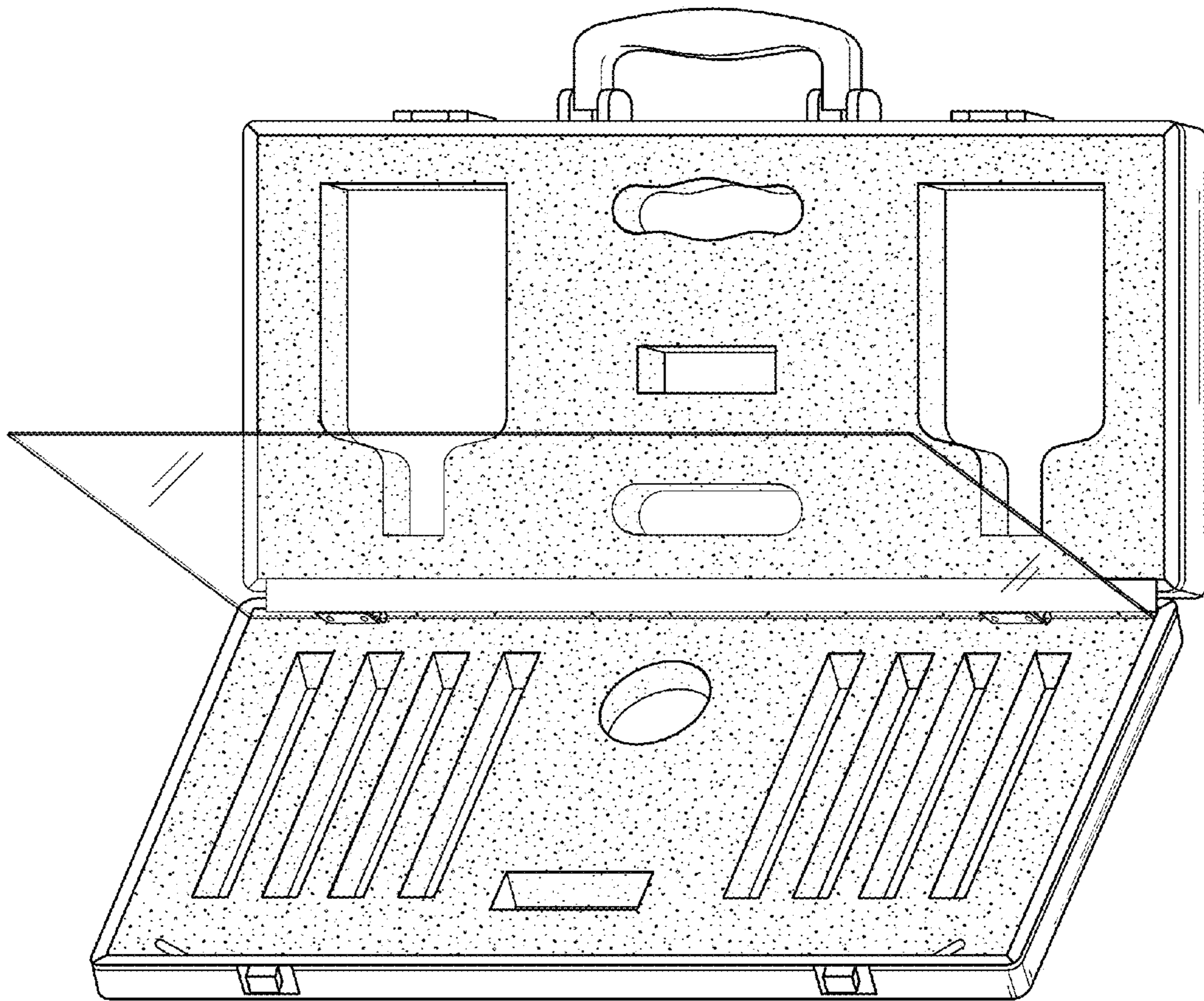


Fig. 1

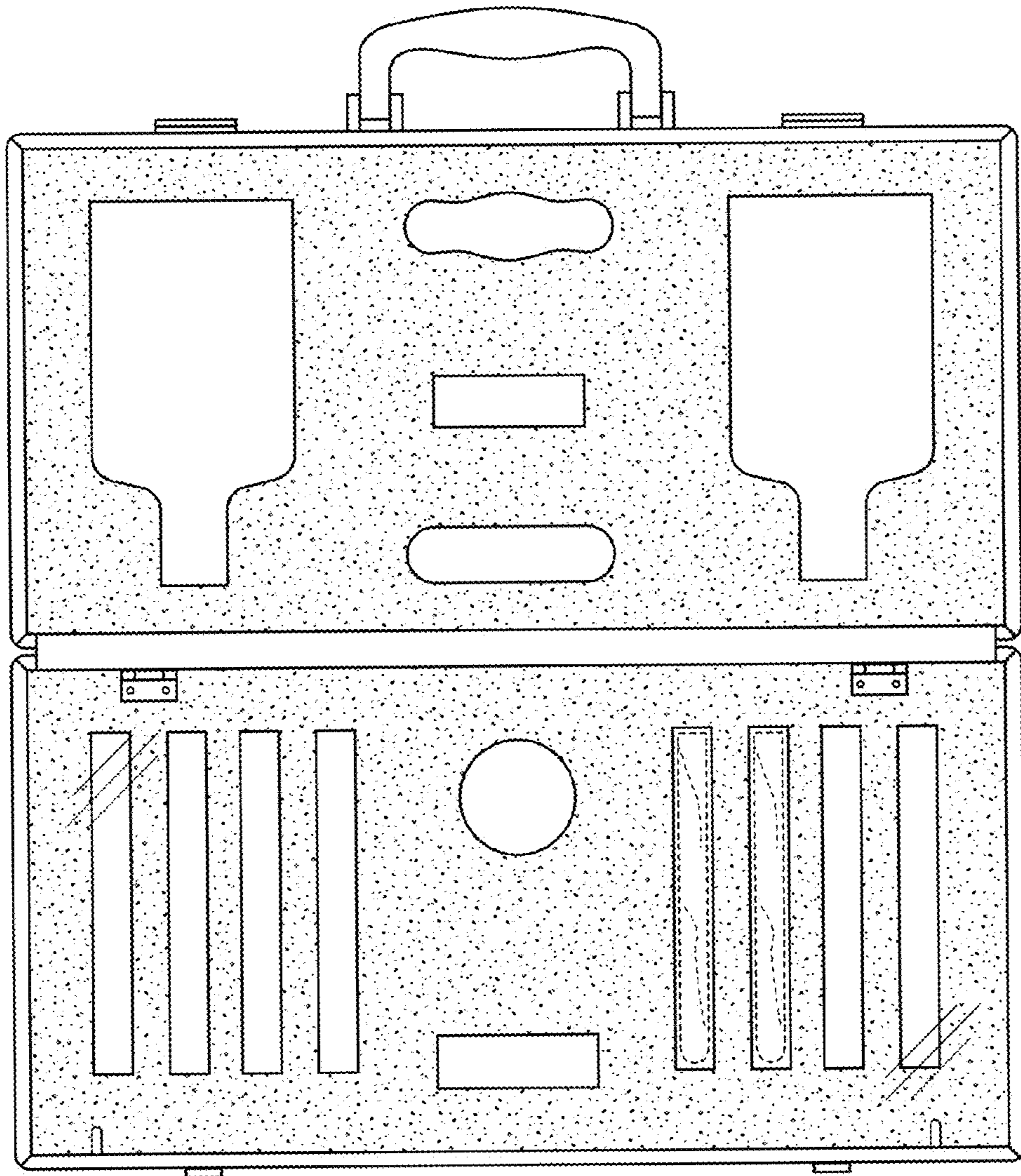


Fig. 2

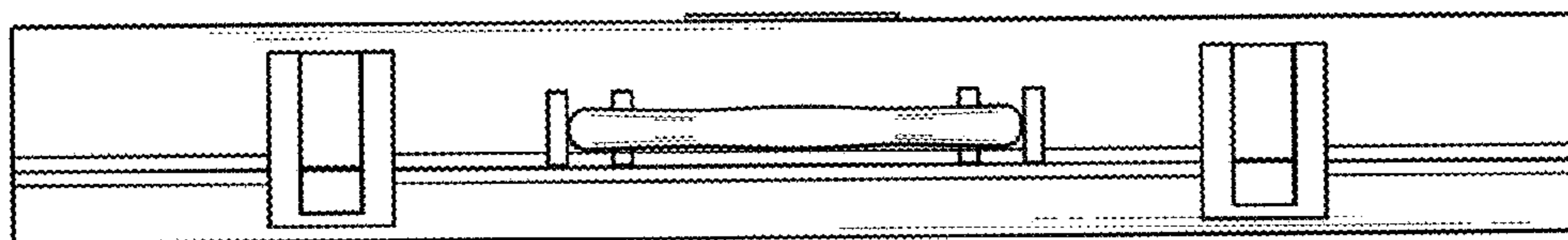


Fig. 3

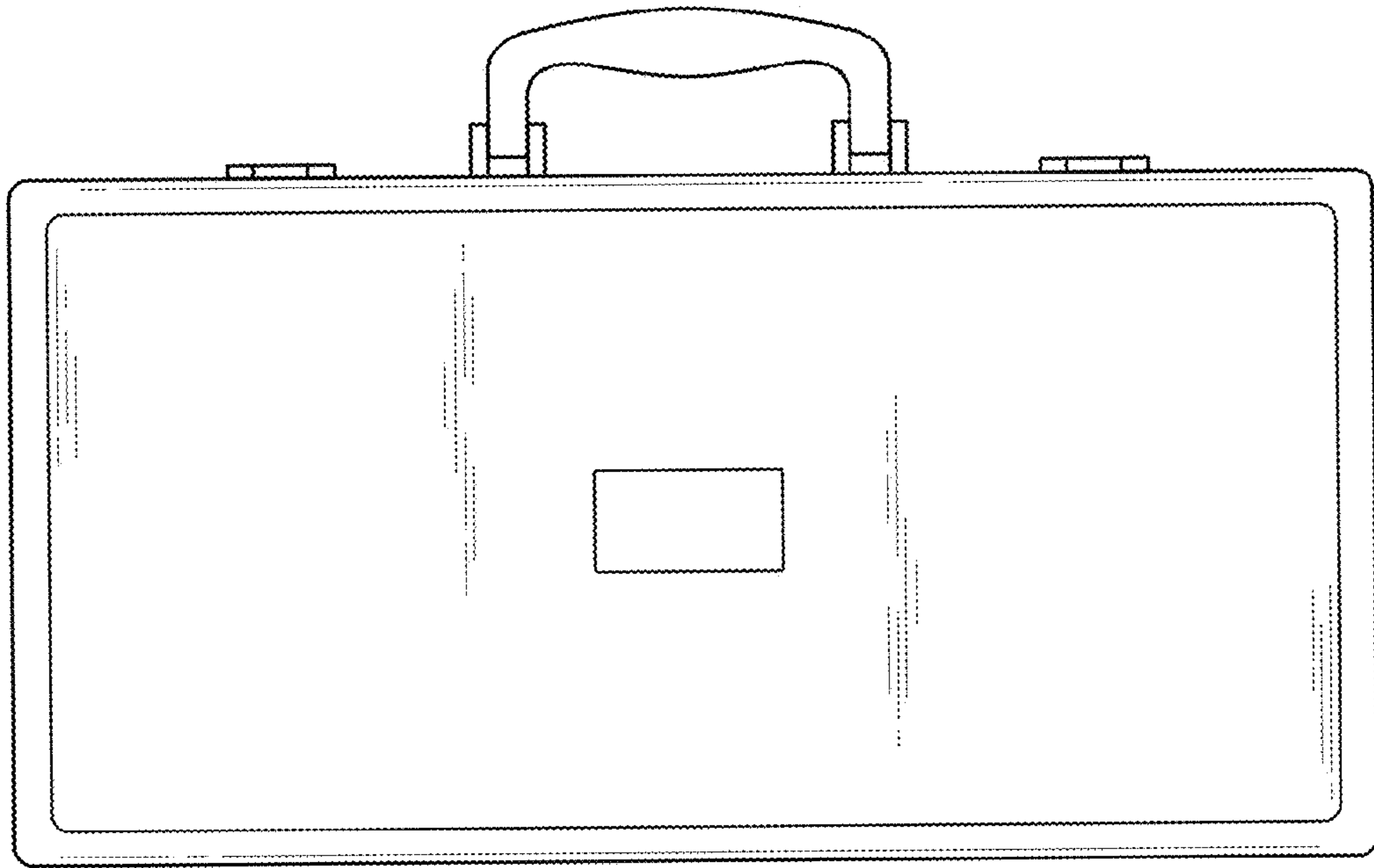


Fig. 4

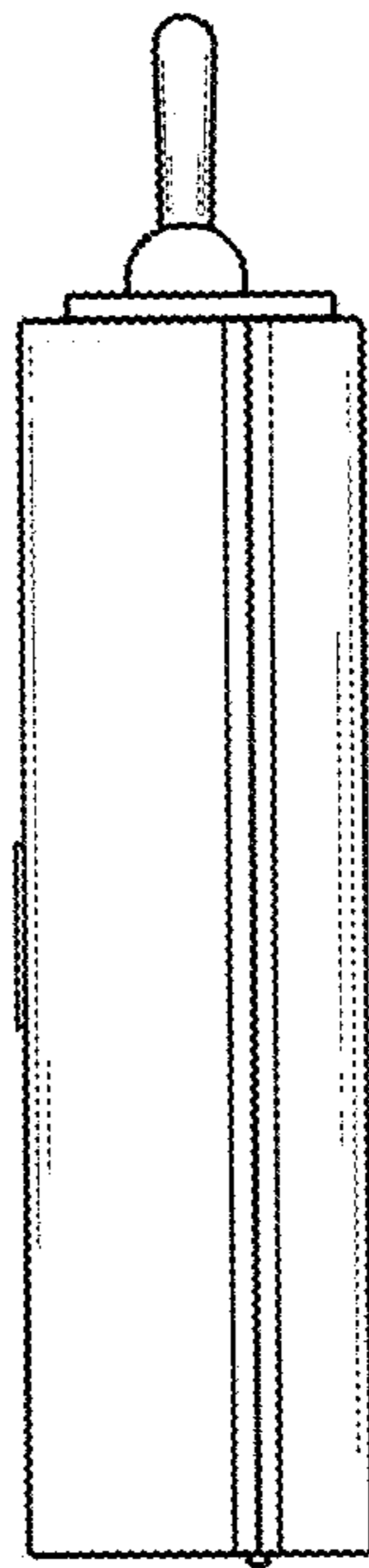


Fig. 5