



US00D692171S

(12) **United States Design Patent**
Randolph et al.

(10) **Patent No.:** **US D692,171 S**

(45) **Date of Patent:** **** Oct. 22, 2013**

(54) **LIGHTING FIXTURE**

(75) Inventors: **David N. Randolph**, Rougemont, NC (US); **John R. Rowlette, Jr.**, Raleigh, NC (US)

(73) Assignee: **Cree, Inc.**, Durham, NC (US)

(**) Term: **14 Years**

(21) Appl. No.: **29/408,232**

(22) Filed: **Dec. 8, 2011**

(51) **LOC (9) Cl.** **26-05**

(52) **U.S. Cl.**
USPC **D26/74; D26/67**

(58) **Field of Classification Search**
USPC D26/67, 68, 69, 70, 72, 74, 85, 86, 89, D26/118, 128, 129; 362/147, 148, 153, 362/153.1, 183, 186, 364, 431, 432, 362
See application file for complete search history.

(56) **References Cited**

U.S. PATENT DOCUMENTS

D47,607 S * 7/1915 Owen D26/89
D109,740 S * 5/1938 Stewart D26/137

(Continued)

FOREIGN PATENT DOCUMENTS

CN 3557377 8/2006
EM 000380670-0001 8/2005

(Continued)

OTHER PUBLICATIONS

International Search Report for PCT/US2012/067754 mailed Feb. 20, 2013, 11 pages.

(Continued)

Primary Examiner — Clare E Heflin

(74) *Attorney, Agent, or Firm* — Withrow & Terranova, P.L.L.C.

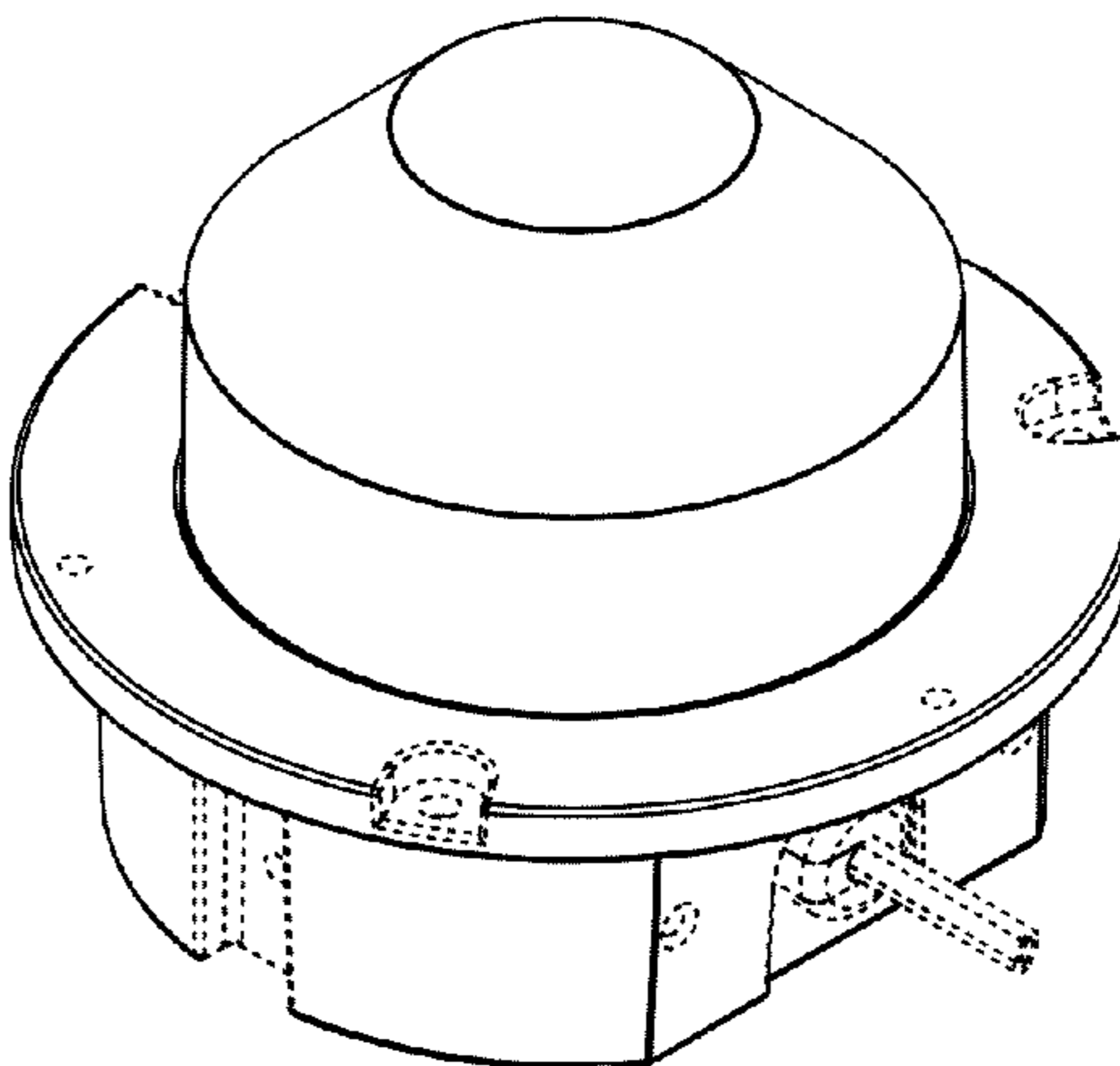
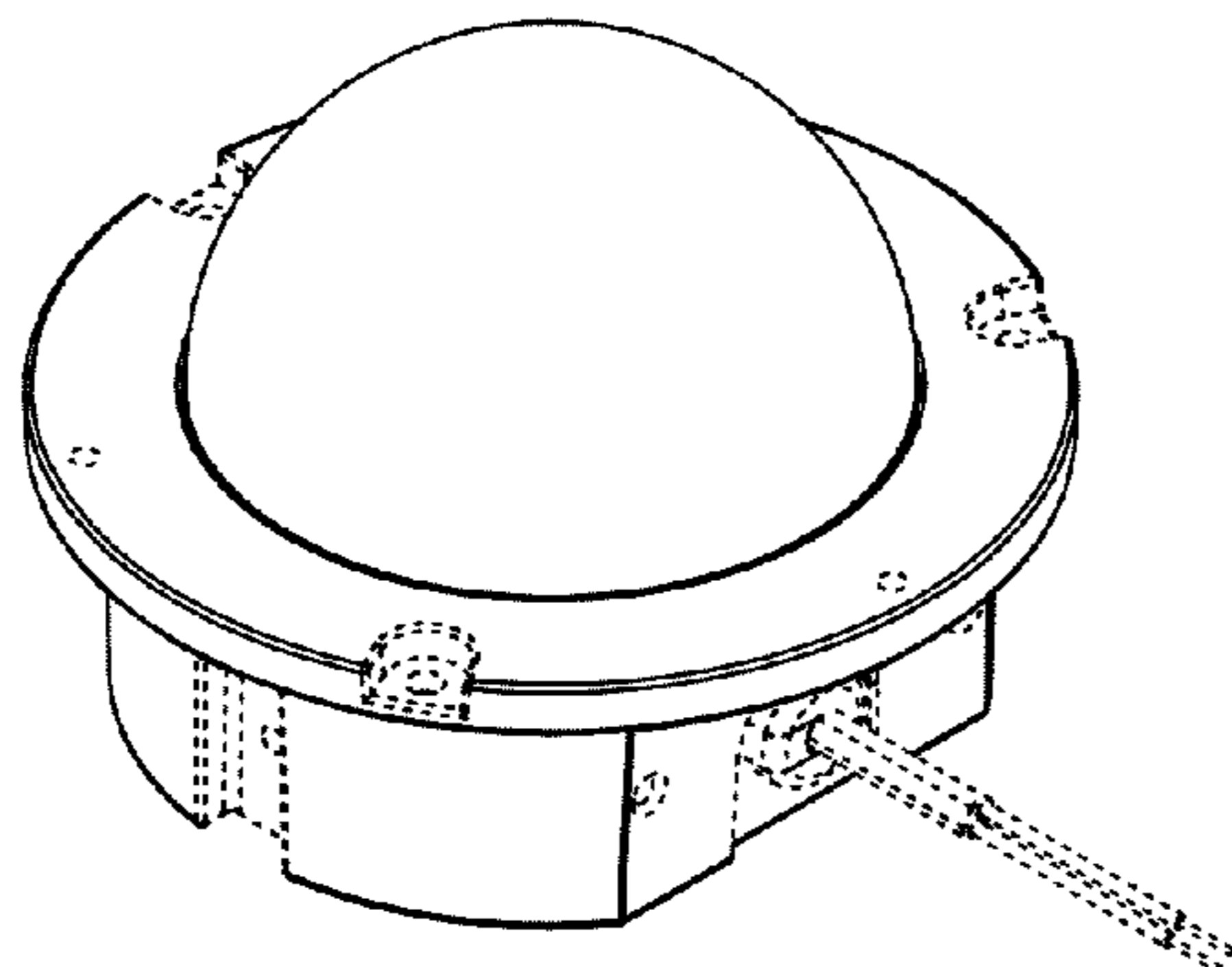
(57) **CLAIM**

The ornamental design for a lighting fixture, as shown and described.

DESCRIPTION

FIG. 1 is a top isometric view of a lighting fixture according to a first embodiment of the new design; FIG. 2 is a top plan view thereof; FIG. 3 is a second top isometric view thereof; FIG. 4 is a first side elevation view thereof; FIG. 5 is a second side elevation view thereof; FIG. 6 is a third side elevation view thereof; FIG. 7 is a bottom isometric view thereof; FIG. 8 is a bottom plan view thereof; FIG. 9 is a second bottom isometric view thereof; FIG. 10 is a top isometric view of a lighting fixture according to a second embodiment of the new design; FIG. 11 is a top plan view thereof; FIG. 12 is a second top isometric view thereof; FIG. 13 is a first side elevation view thereof; FIG. 14 is a second side elevation view thereof; FIG. 15 is a third side elevation view thereof; FIG. 16 is a bottom isometric view thereof; FIG. 17 is a bottom plan view thereof; FIG. 18 is a second bottom isometric view thereof; FIG. 19 is a top isometric view of a lighting fixture according to a third embodiment of the new design; FIG. 20 is a top plan view thereof; FIG. 21 is a second top isometric view thereof; FIG. 22 is a first side elevation view thereof; FIG. 23 is a second side elevation view thereof; FIG. 24 is a third side elevation view thereof; FIG. 25 is a bottom isometric view thereof; FIG. 26 is a bottom plan view thereof; FIG. 27 is a second bottom isometric view thereof; FIG. 28 is a top isometric view of a lighting fixture according to a fourth embodiment of the new design; FIG. 29 is a top plan view thereof; FIG. 30 is a second top isometric view thereof; FIG. 31 is a first side elevation view thereof; FIG. 32 is a second side elevation view thereof; FIG. 33 is a third side elevation view thereof; FIG. 34 is a bottom isometric view thereof; FIG. 35 is a bottom plan view thereof; and, FIG. 36 is a second bottom isometric view thereof. The broken lines shown on the drawings depict portions of the light fixture that form no part of the claimed design.

1 Claim, 12 Drawing Sheets



(56)

References Cited

U.S. PATENT DOCUMENTS

D238,185 S * 12/1975 Wellward D26/74
 D325,999 S * 5/1992 Sonneman D26/74
 D341,442 S * 11/1993 Shapiro D26/118
 D383,564 S 9/1997 Lecluze
 5,664,869 A 9/1997 Bitton
 D386,805 S 11/1997 Bonnette et al.
 D397,472 S 8/1998 Lecluze
 5,800,038 A 9/1998 McCool
 D399,590 S 10/1998 Lecluze
 D400,274 S * 10/1998 Ziaylek et al. D26/74
 D411,640 S * 6/1999 Lueken et al. D26/74
 D421,316 S * 2/2000 Fiorato D26/74
 D433,179 S * 10/2000 Johnson D26/129
 6,193,392 B1 2/2001 Lodhie
 D457,677 S * 5/2002 Landefeld et al. D26/67
 D473,966 S 4/2003 Lecluze
 D474,298 S 5/2003 Lecluze
 D488,251 S 4/2004 Benghozi
 D488,583 S 4/2004 Benghozi
 D506,280 S * 6/2005 Chen D26/67
 D508,141 S * 8/2005 Rashidi D26/74
 D508,750 S * 8/2005 Rashidi D26/74
 D509,017 S * 8/2005 Rashidi D26/74
 D509,615 S * 9/2005 Rashidi D26/74
 D544,979 S 6/2007 Hartmann, Jr. et al.
 D547,484 S * 7/2007 Guercio D26/89
 D548,390 S 8/2007 Lecluze
 D549,384 S * 8/2007 Grawunder D26/89
 D558,377 S 12/2007 Rashidi
 D558,378 S 12/2007 Rashidi
 D561,374 S 2/2008 Hartmann, Jr. et al.
 D570,515 S * 6/2008 Flaherty et al. D26/68
 D574,104 S * 7/2008 Sanoner D26/67
 7,614,769 B2 11/2009 Sell
 D606,696 S 12/2009 Chen et al.
 D608,044 S * 1/2010 Pickett D26/89
 D609,840 S 2/2010 Tang
 D610,292 S 2/2010 Yoshinobu et al.
 D614,337 S * 4/2010 Robinson et al. D26/74
 D617,934 S 6/2010 Rashidi
 D622,434 S 8/2010 Ward et al.
 D626,676 S * 11/2010 Johnson D26/67
 D628,733 S * 12/2010 Cobb et al. D26/74
 D632,822 S 2/2011 Bitton

8,104,928 B1 1/2012 Horn
 D655,855 S * 3/2012 Sabernig D26/89
 8,240,871 B2 8/2012 Chou
 D671,259 S * 11/2012 Chen D26/135
 D671,668 S 11/2012 Rowlette, Jr. et al.
 D674,127 S 1/2013 Rowlette, Jr. et al.
 2005/0111234 A1 5/2005 Martin et al.
 2007/0035951 A1 2/2007 Tseng
 2007/0041220 A1 2/2007 Lynch
 2008/0074889 A1 3/2008 Gloisten et al.
 2008/0158887 A1 7/2008 Zhu et al.
 2009/0219727 A1 9/2009 Weaver
 2010/0110699 A1 5/2010 Chou
 2010/0164348 A1 7/2010 Huang et al.
 2010/0226139 A1 9/2010 Lynch et al.
 2010/0296272 A1 11/2010 Roos et al.
 2012/0044704 A1 2/2012 Wilson et al.
 2012/0140490 A1 6/2012 Rowlette, Jr. et al.

FOREIGN PATENT DOCUMENTS

FR 2909160 A1 5/2008
 WO 2008036596 A1 3/2008
 WO 2008061082 A2 5/2008
 WO 2008067447 A1 6/2008
 WO 2011037878 A1 3/2011

OTHER PUBLICATIONS

Final Office Action for U.S. Appl. No. 13/042,378 mailed Feb. 4, 2013, 20 pages.
 Restriction Requirement for U.S. Appl. No. 29/404,382 mailed Apr. 25, 2013, 5 pages.
 Non-final Office Action for U.S. Appl. No. 13/042,378 mailed Sep. 4, 2012, 20 pages.
 Notice of Allowance for U.S. Appl. No. 29/379,154 mailed Aug. 13, 2012, 7 pages.
 International Search Report for PCT/US2011/062990 mailed Apr. 12, 2012, 10 pages.
 International Search Report for PCT/US2011/062992 mailed Apr. 2, 2012, 13 pages.
 Quayle Action for U.S. Appl. No. 29/379,154 mailed May 30, 2012, 11 pages.
 Examiner's Answer to Appeal Brief for U.S. Appl. No. 13/042,378, mailed Aug. 6, 2013, 20 pages.

* cited by examiner

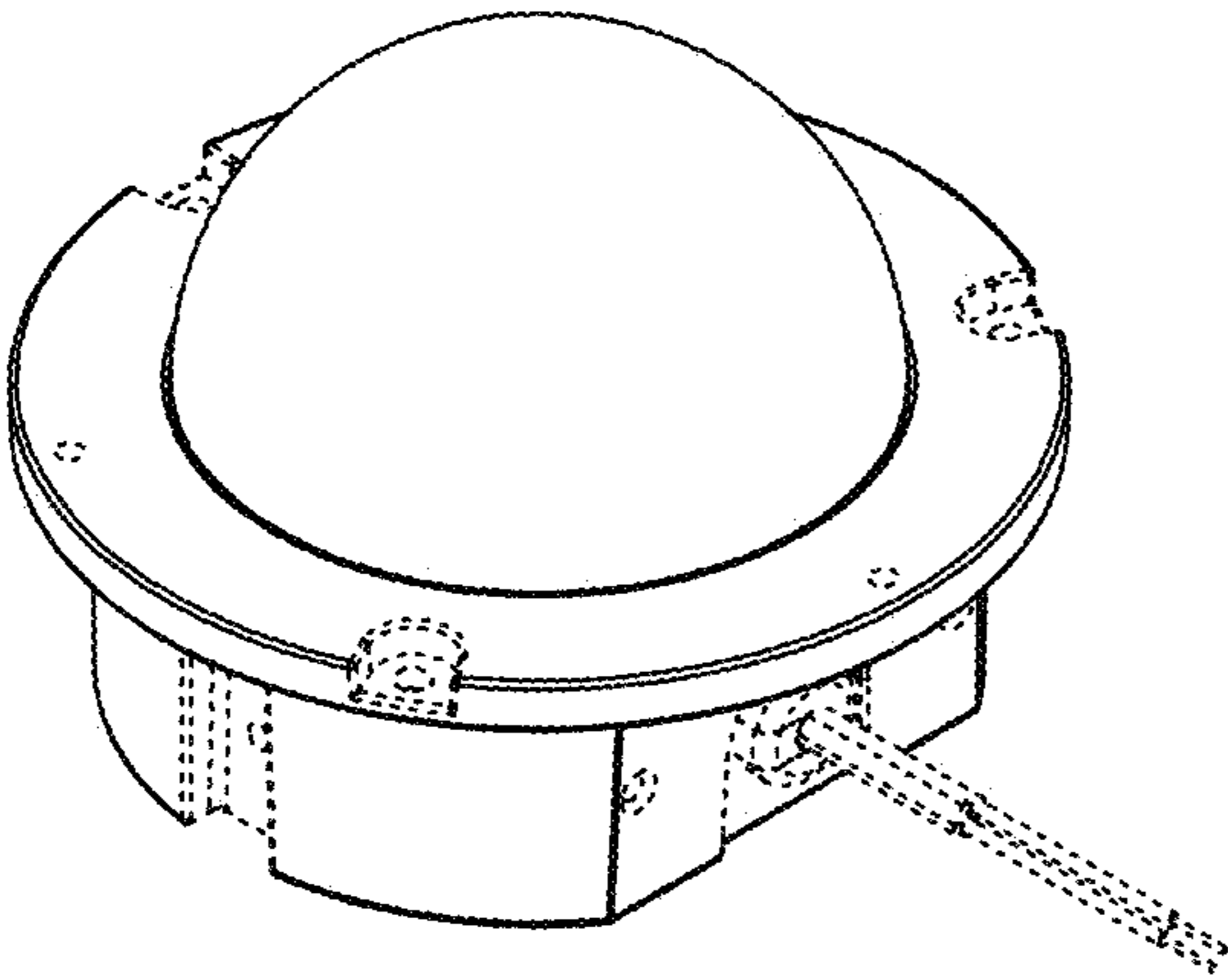


FIG. 1

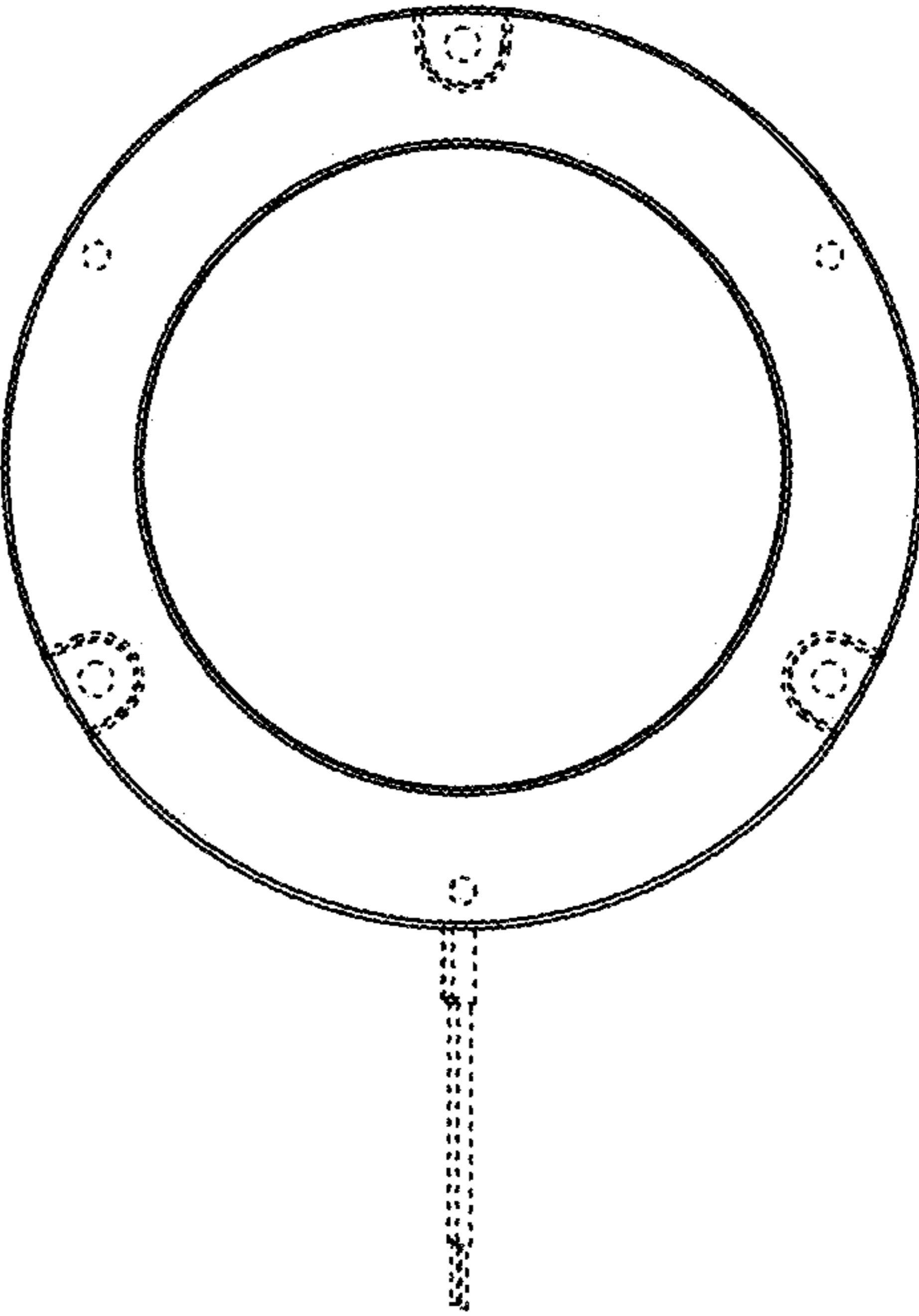


FIG. 2

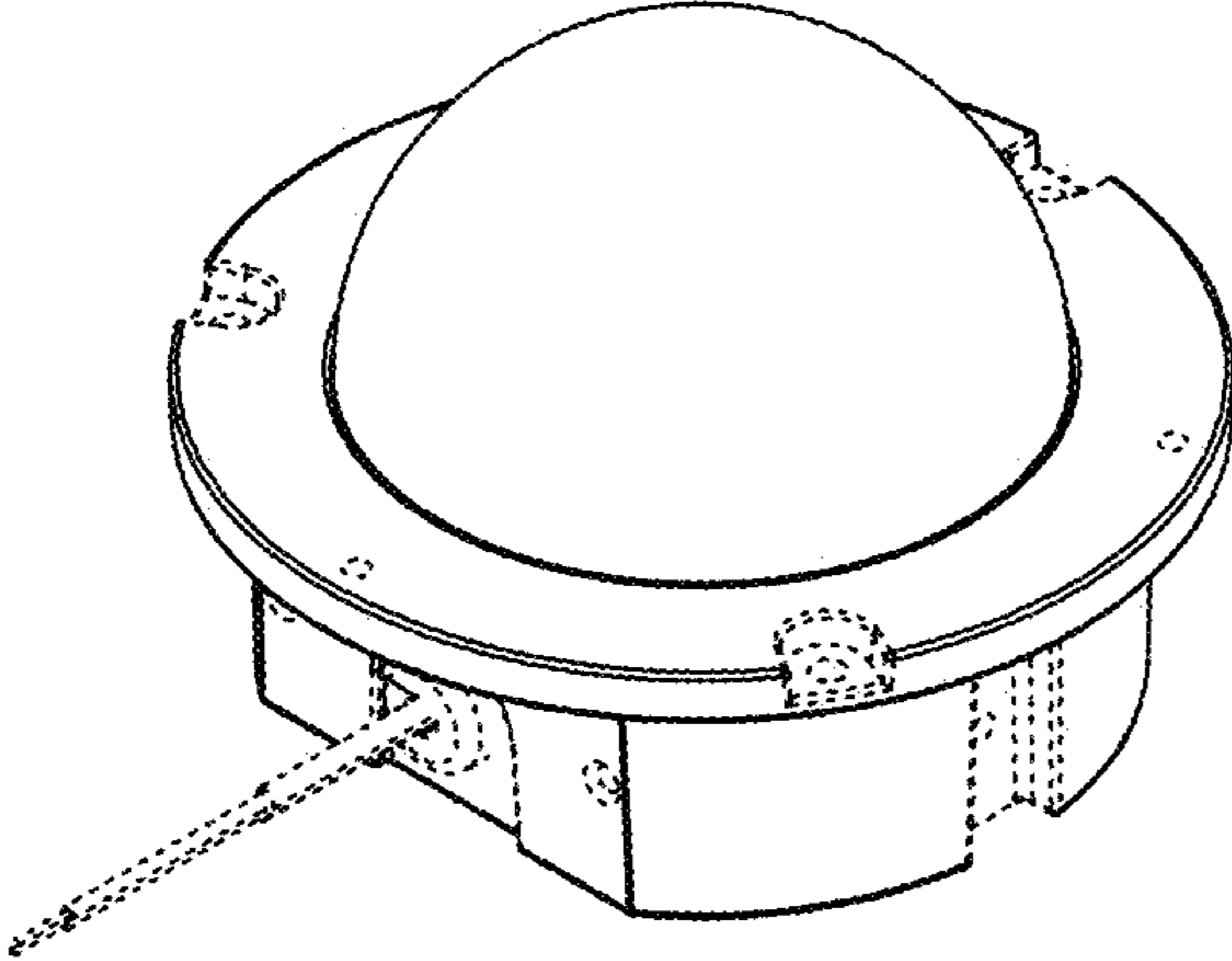


FIG. 3

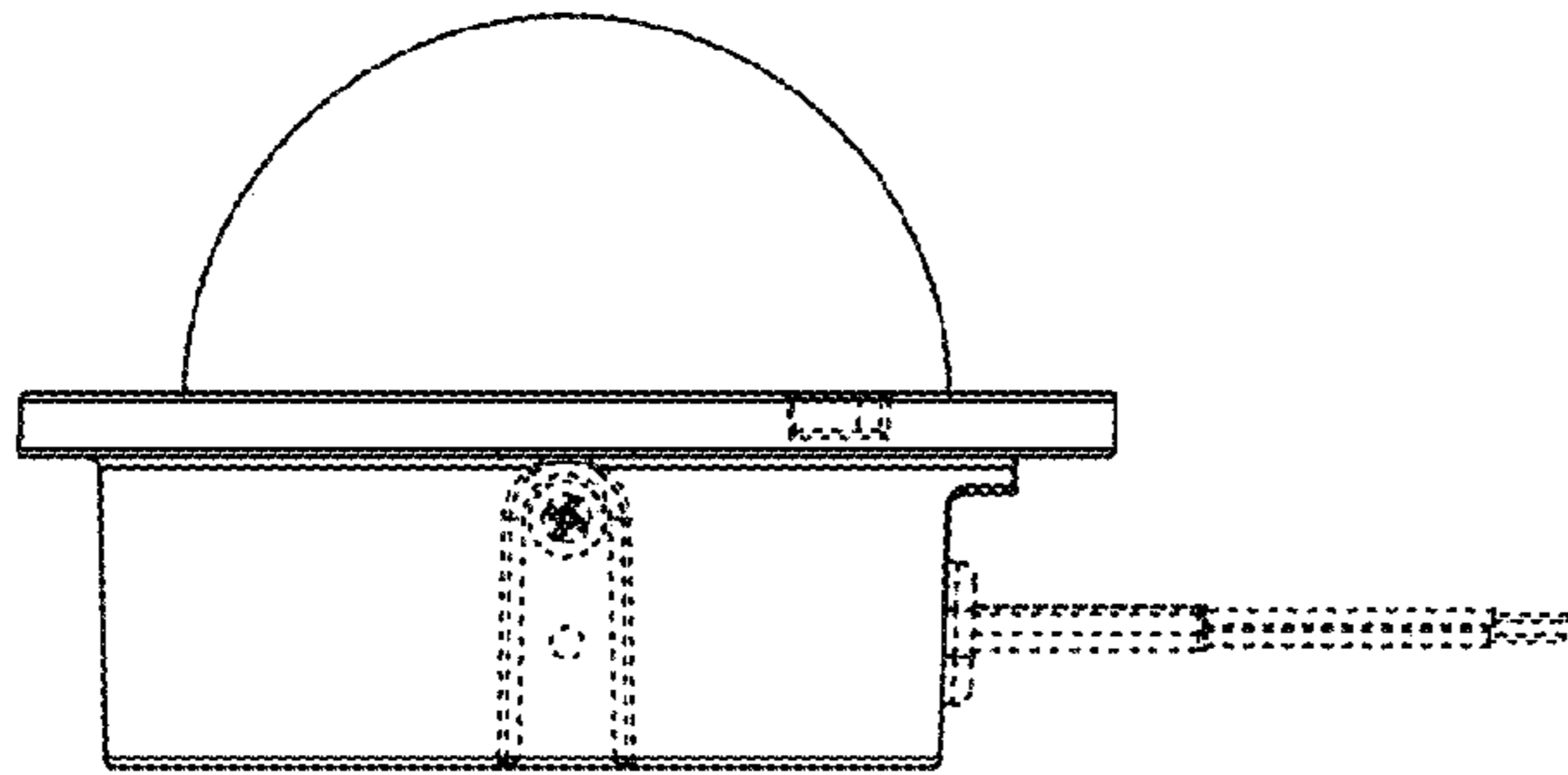


FIG. 4

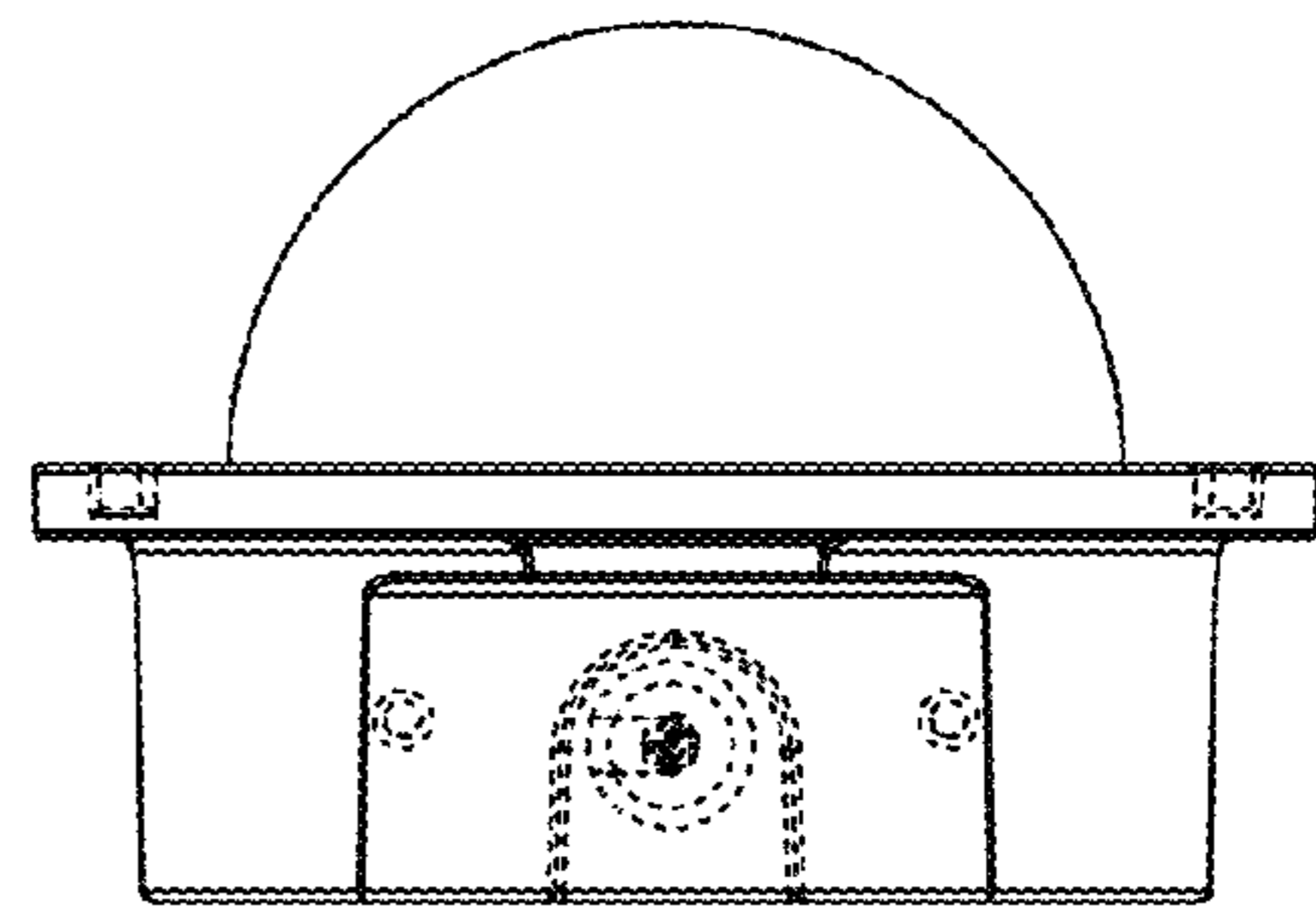


FIG. 5

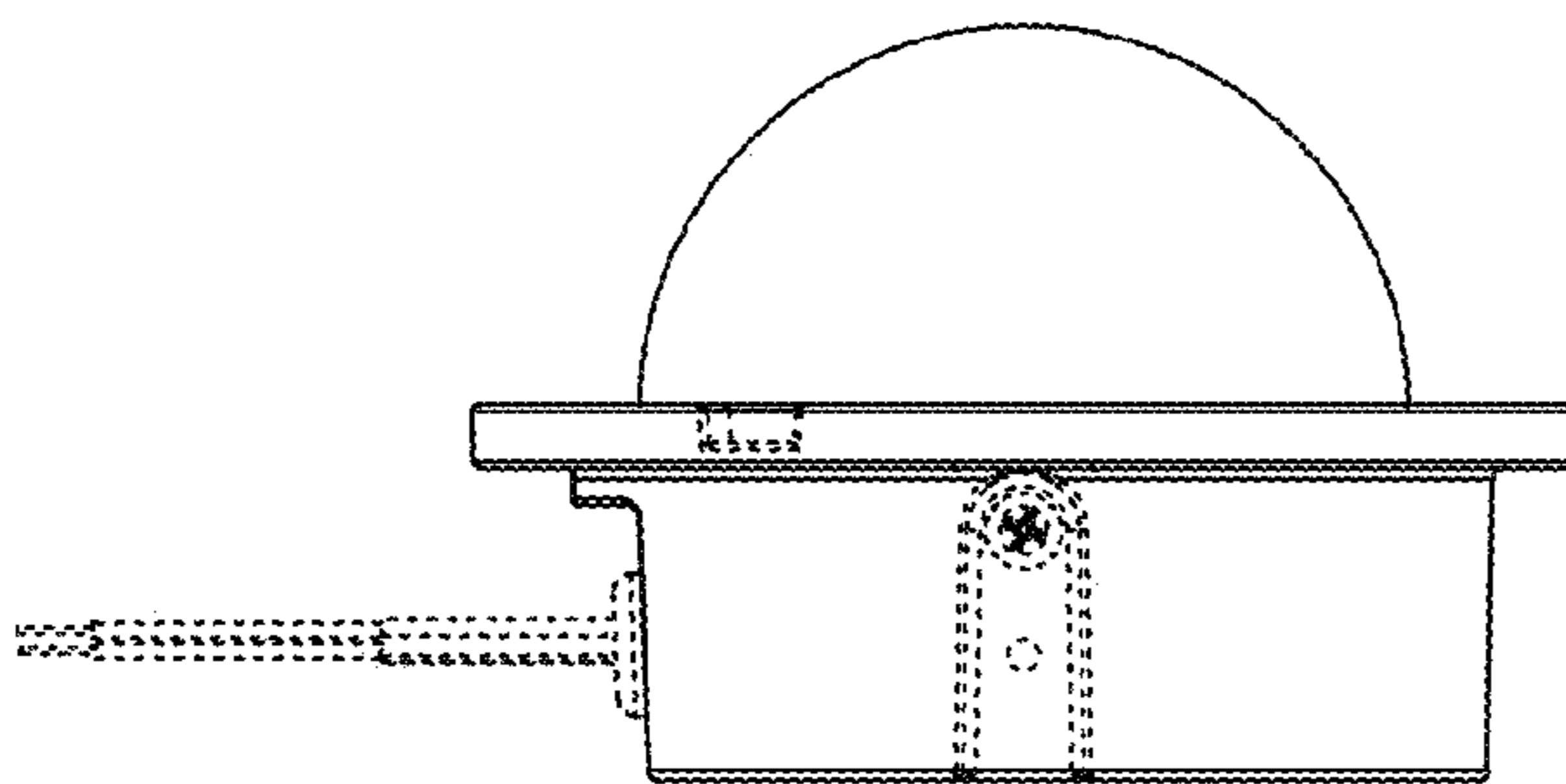


FIG. 6

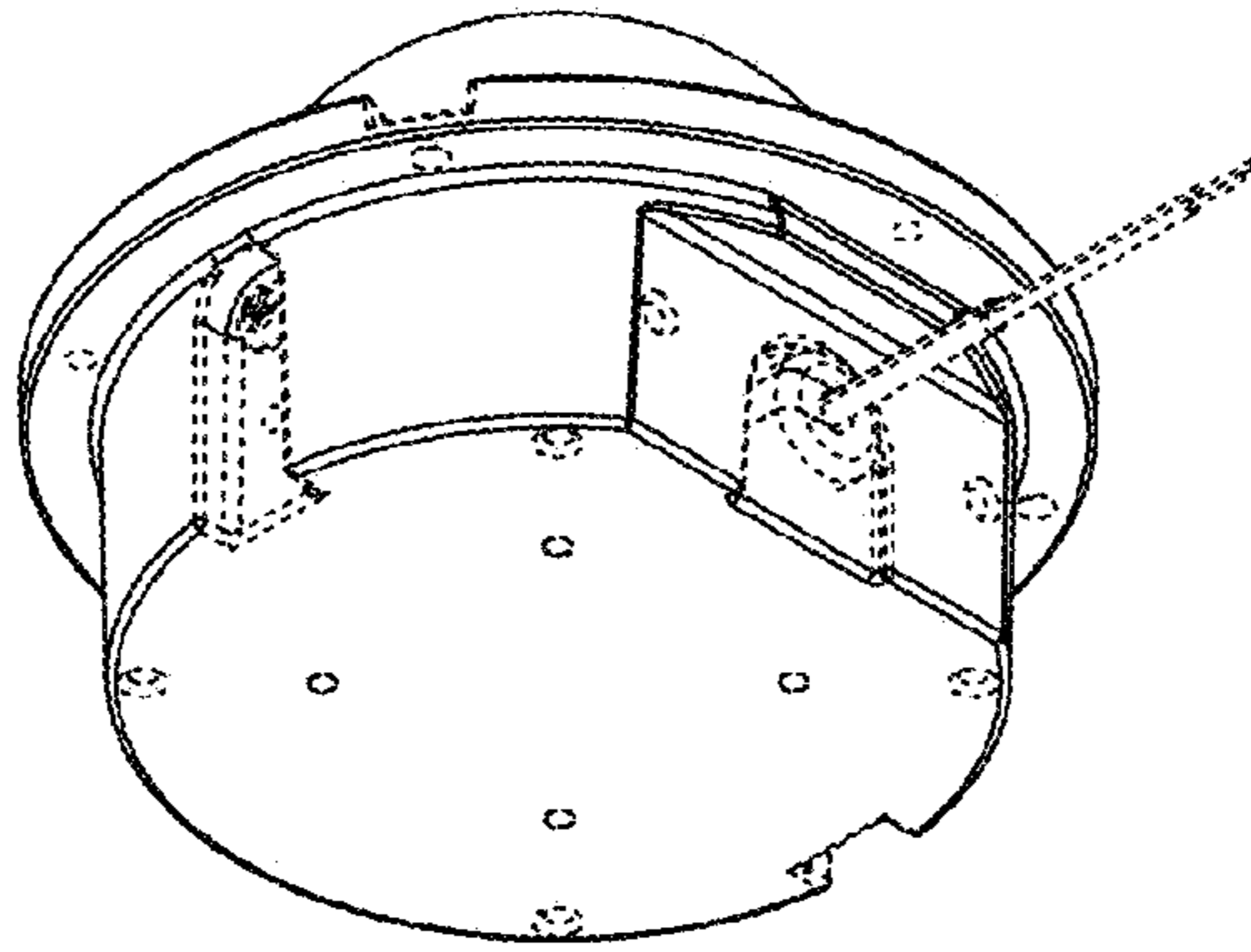


FIG. 7

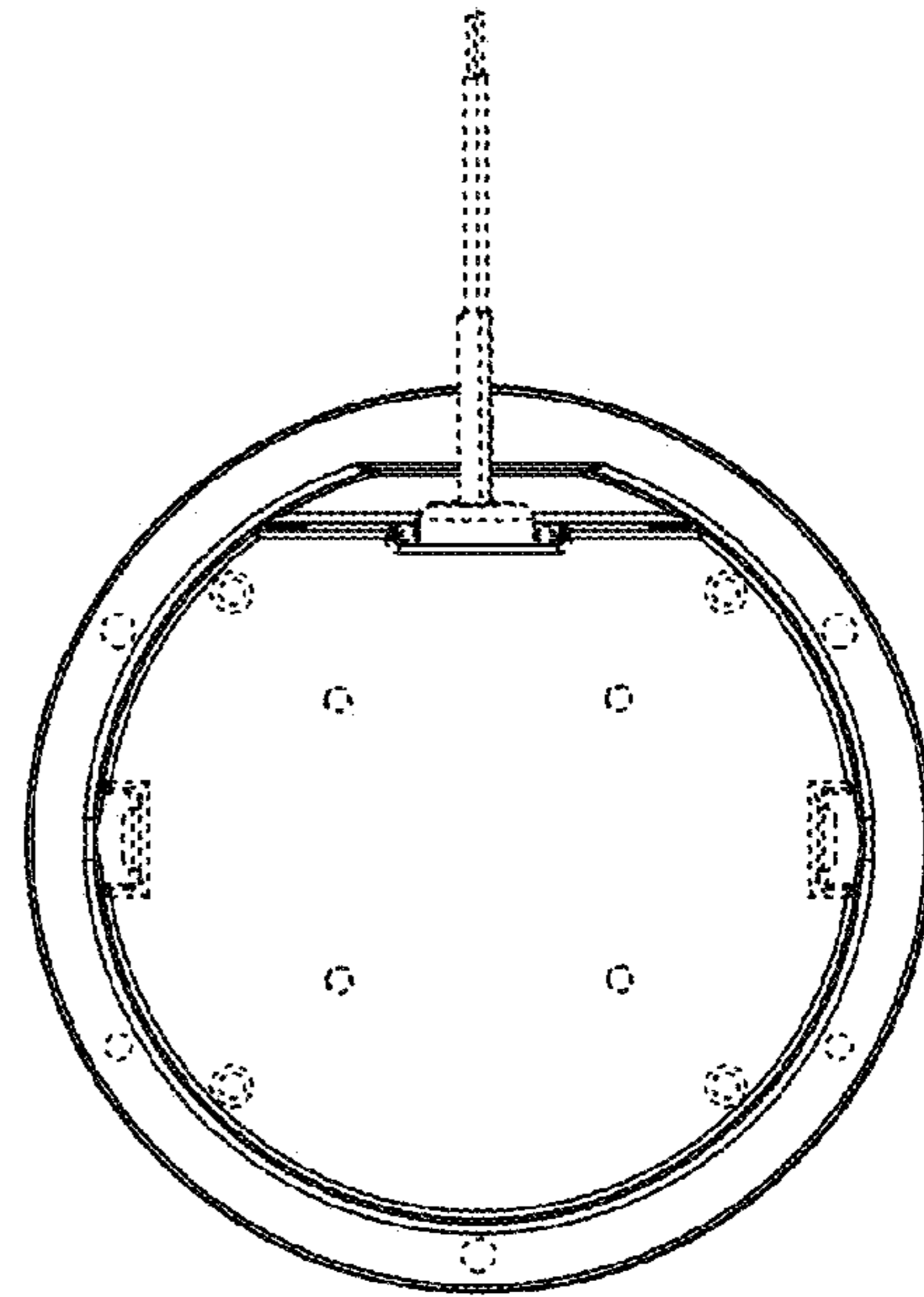


FIG. 8

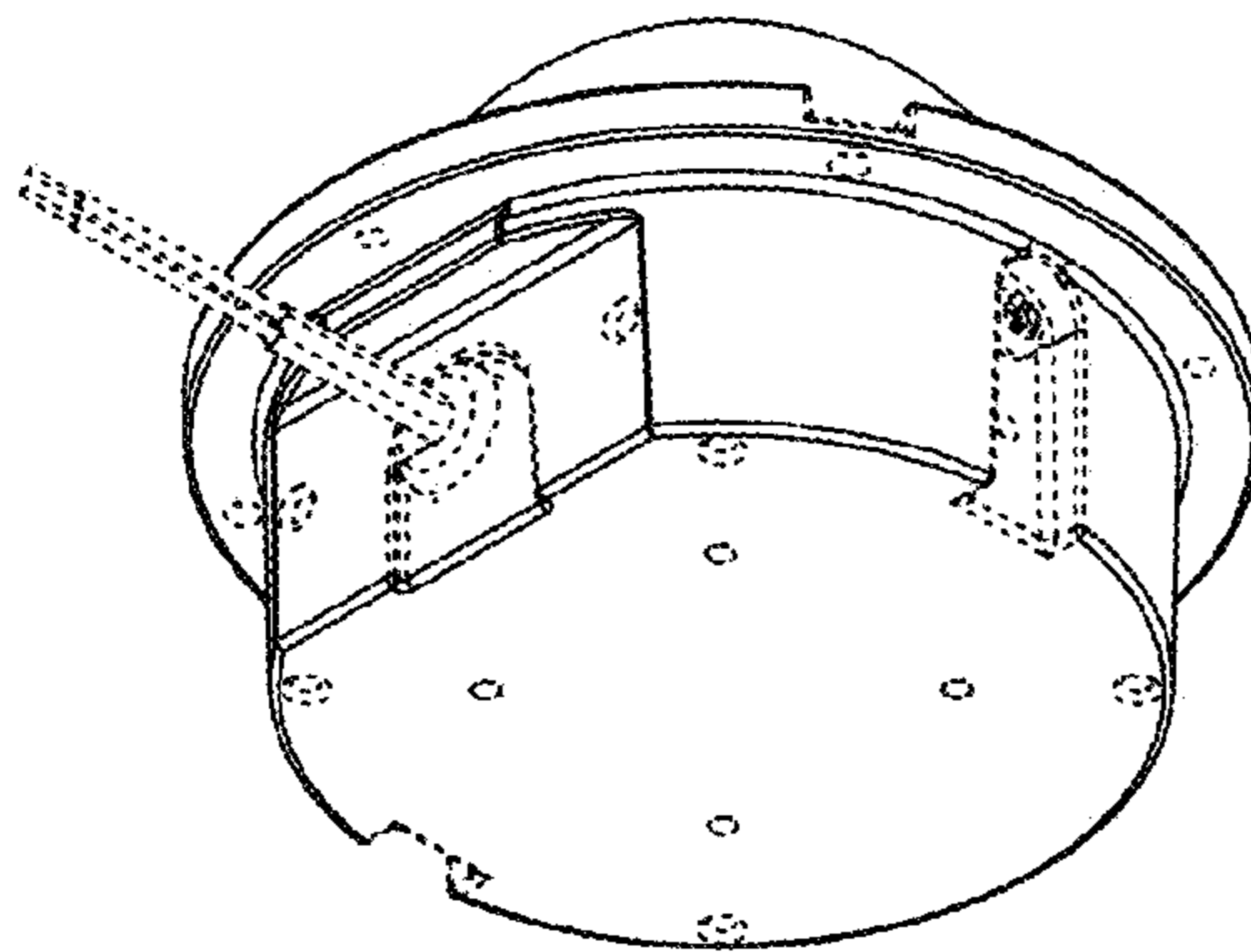


FIG. 9

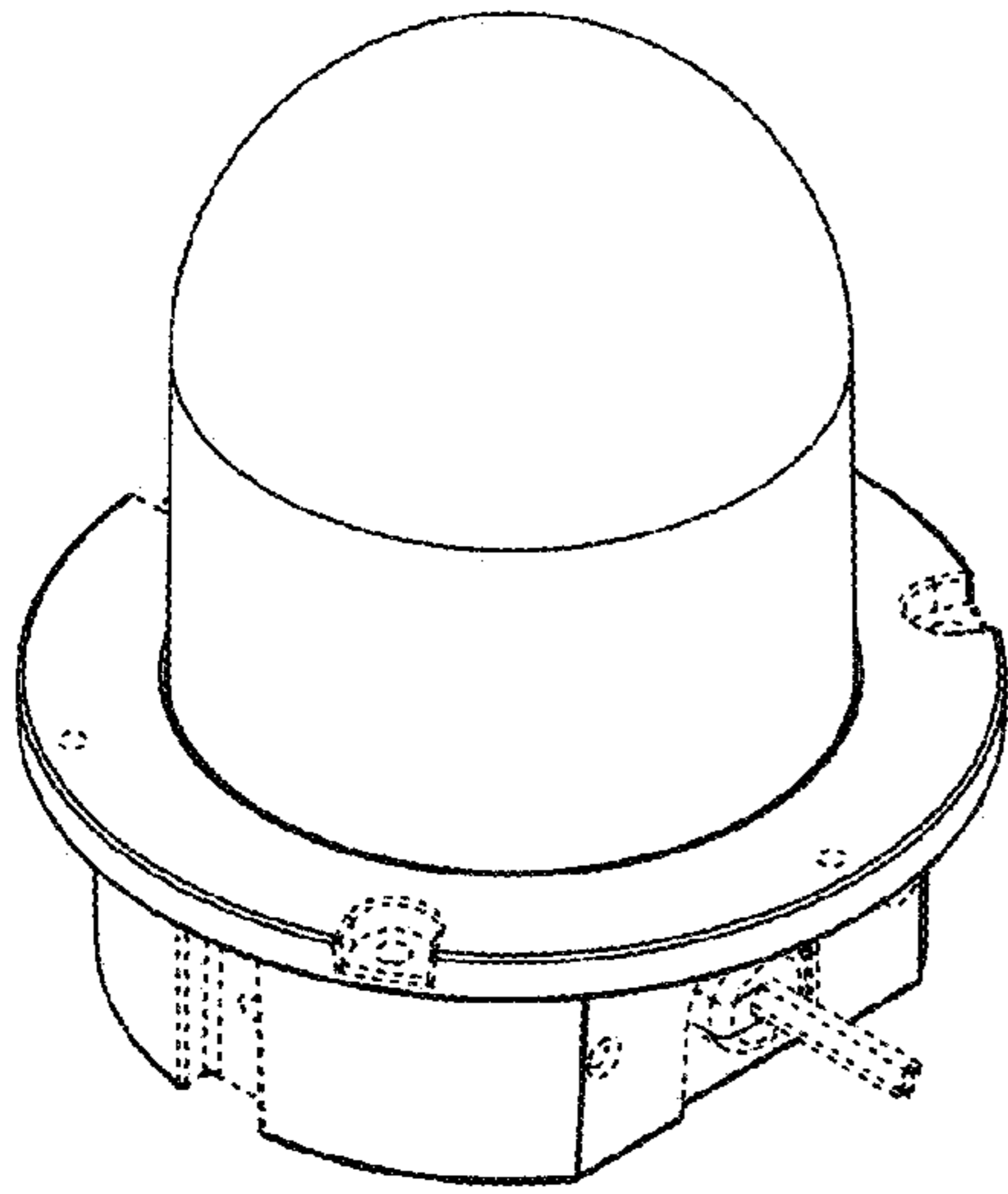


FIG. 10

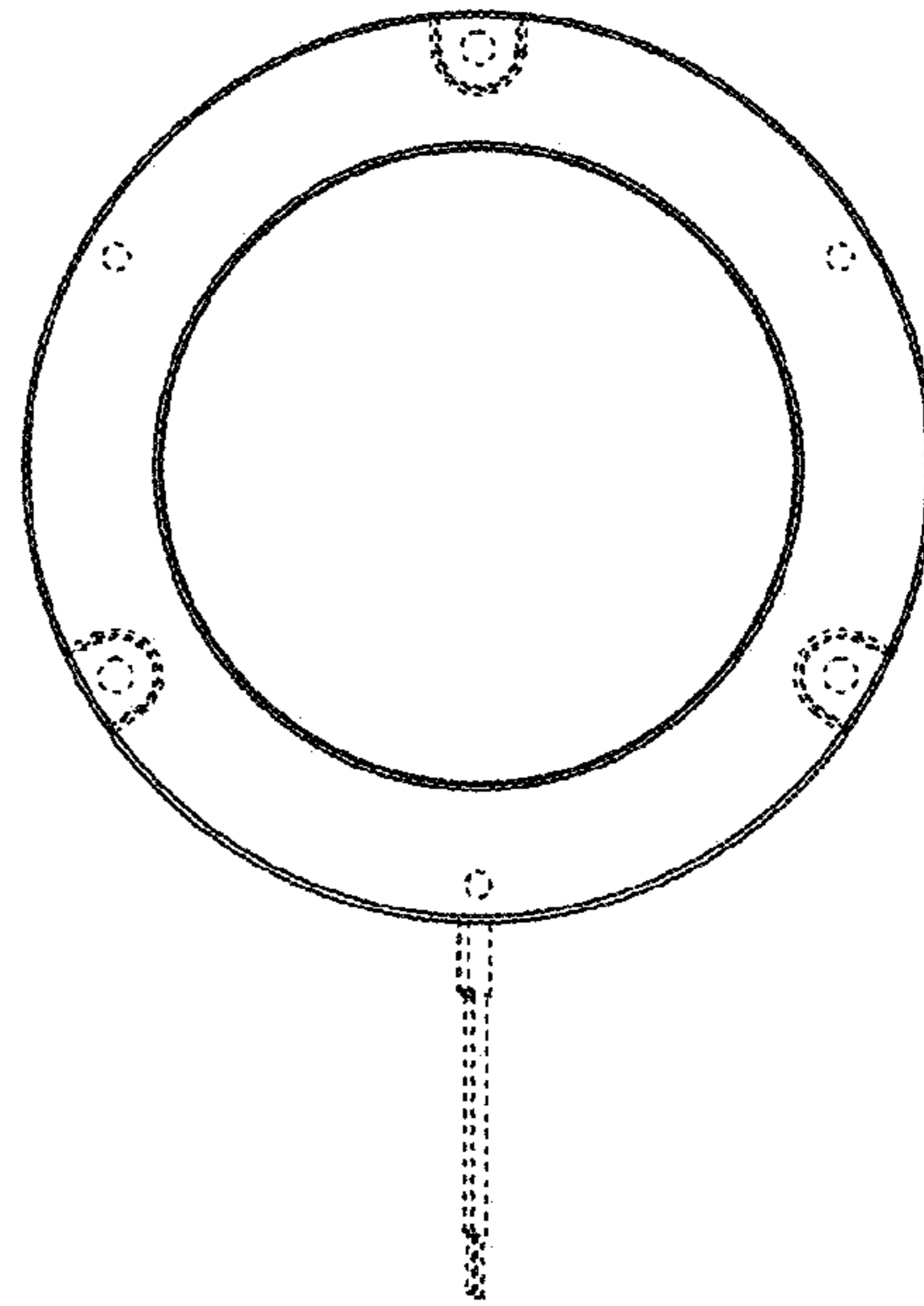


FIG. 11

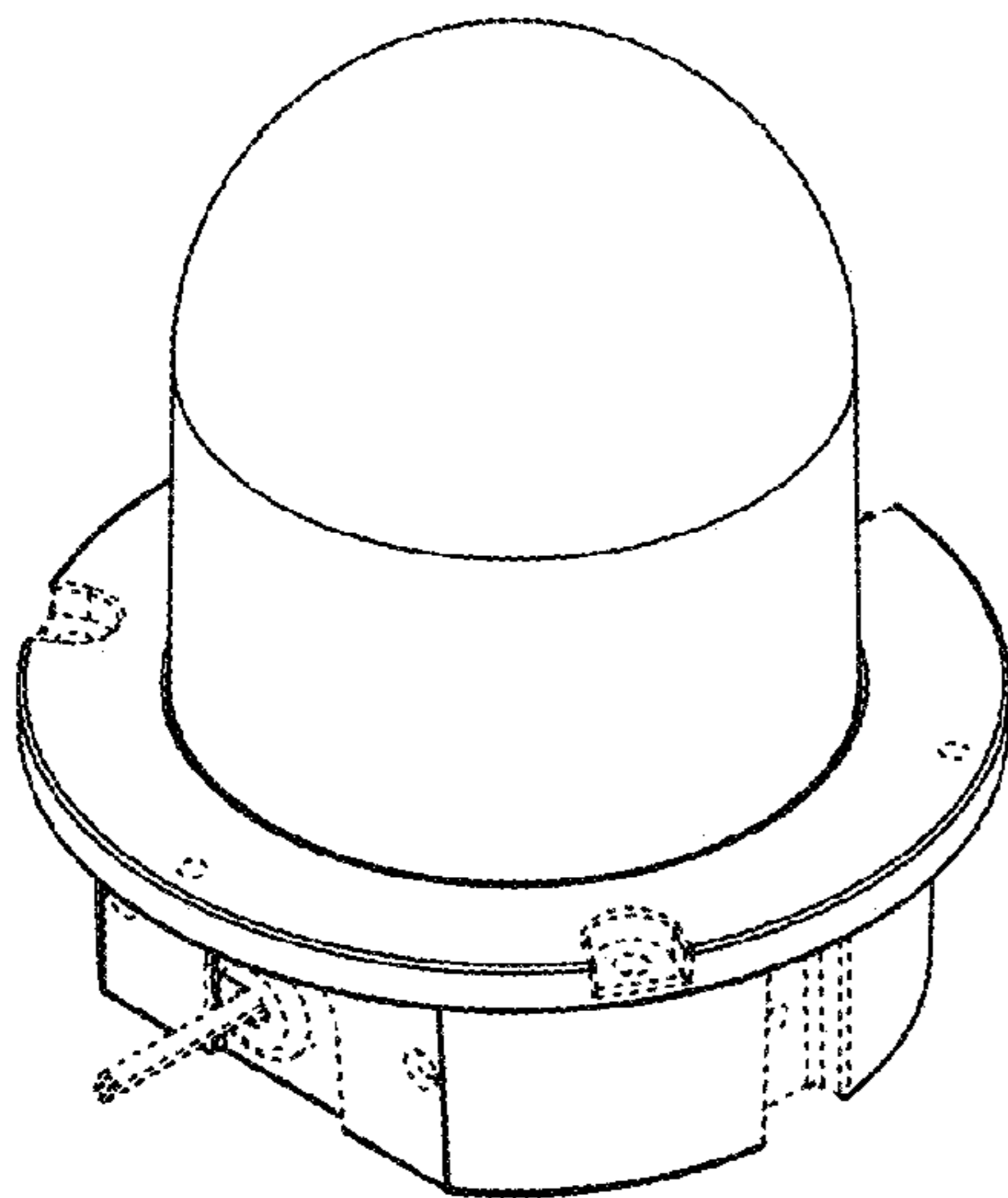


FIG. 12

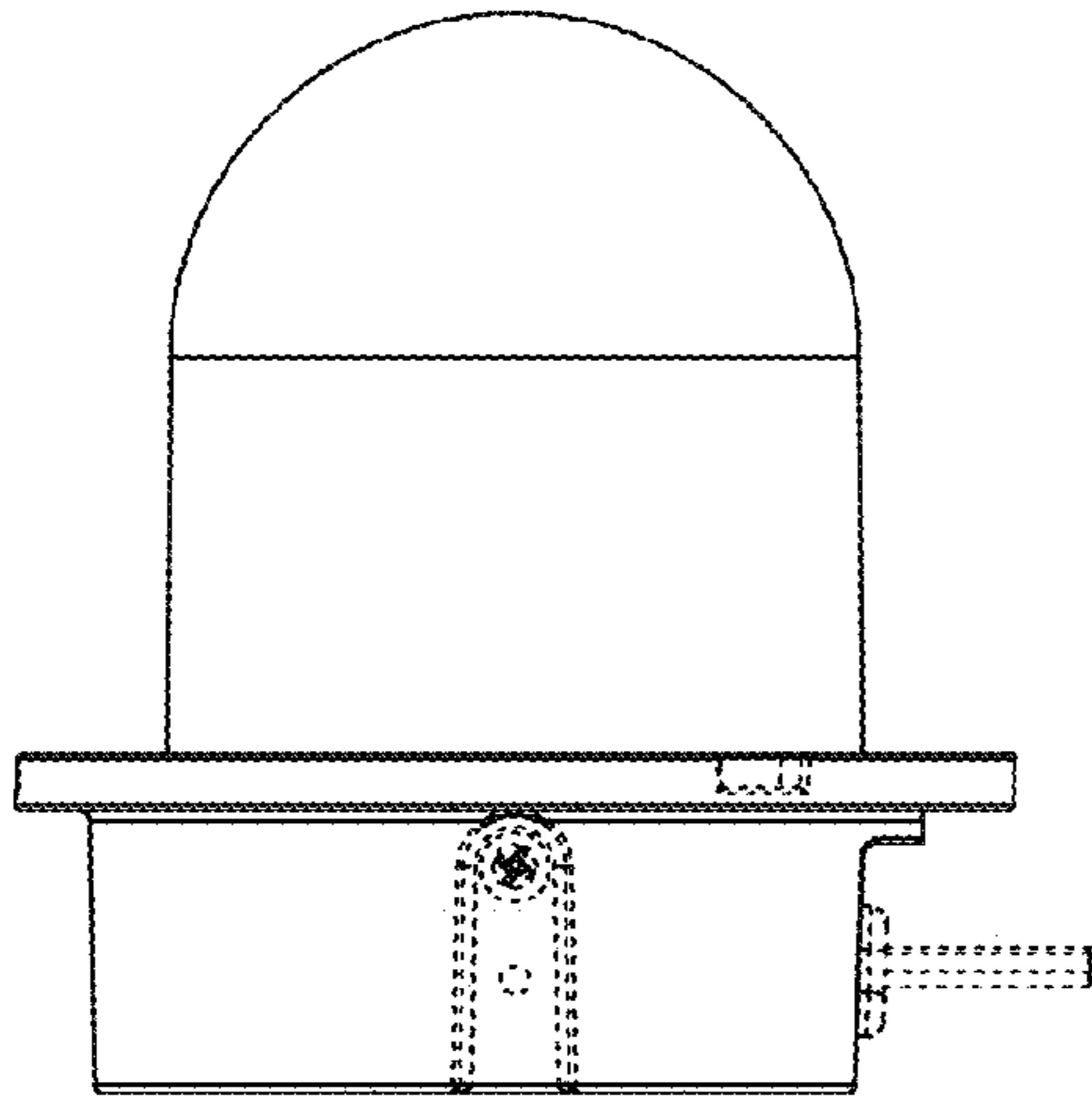


FIG. 13

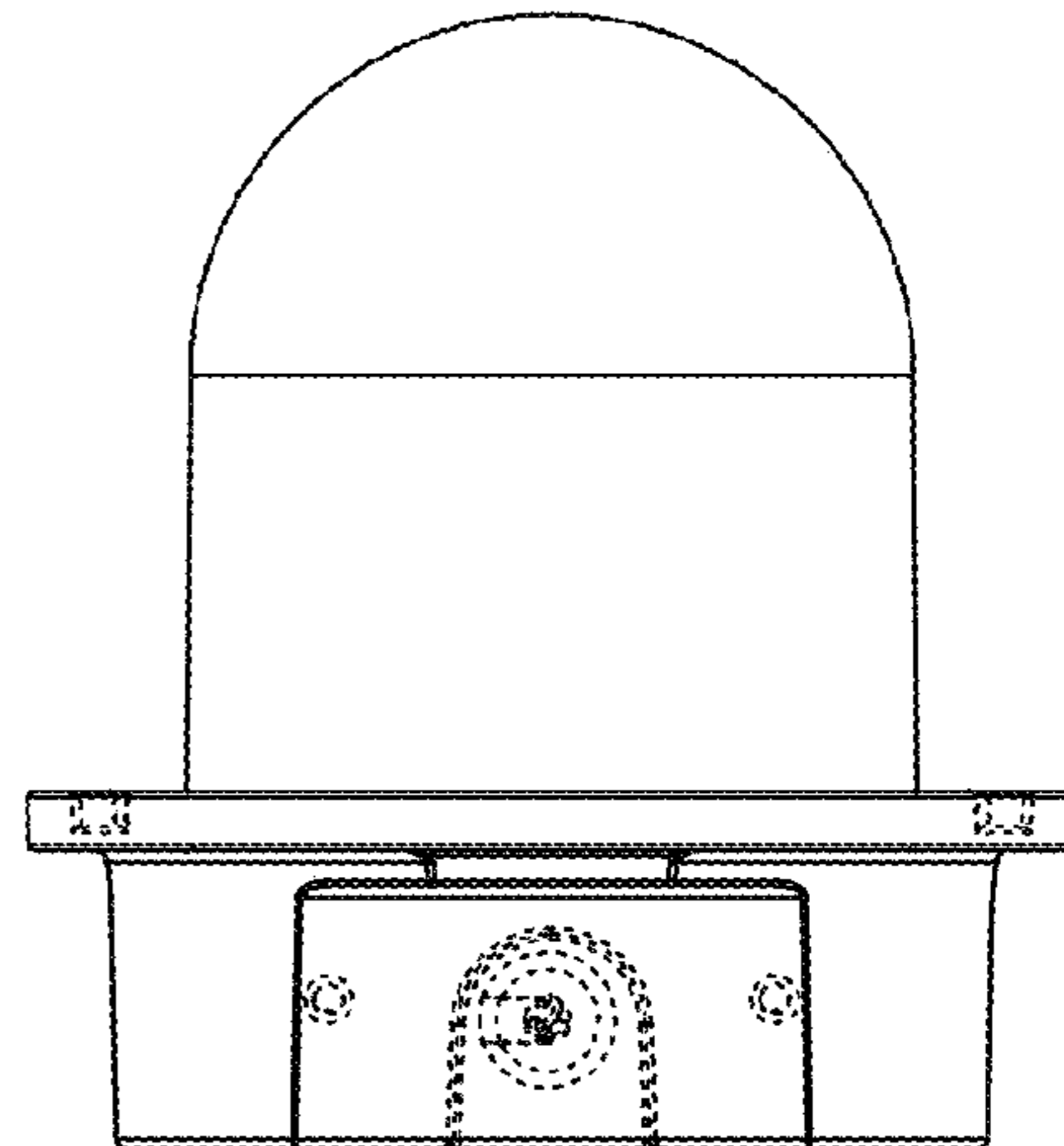


FIG. 14

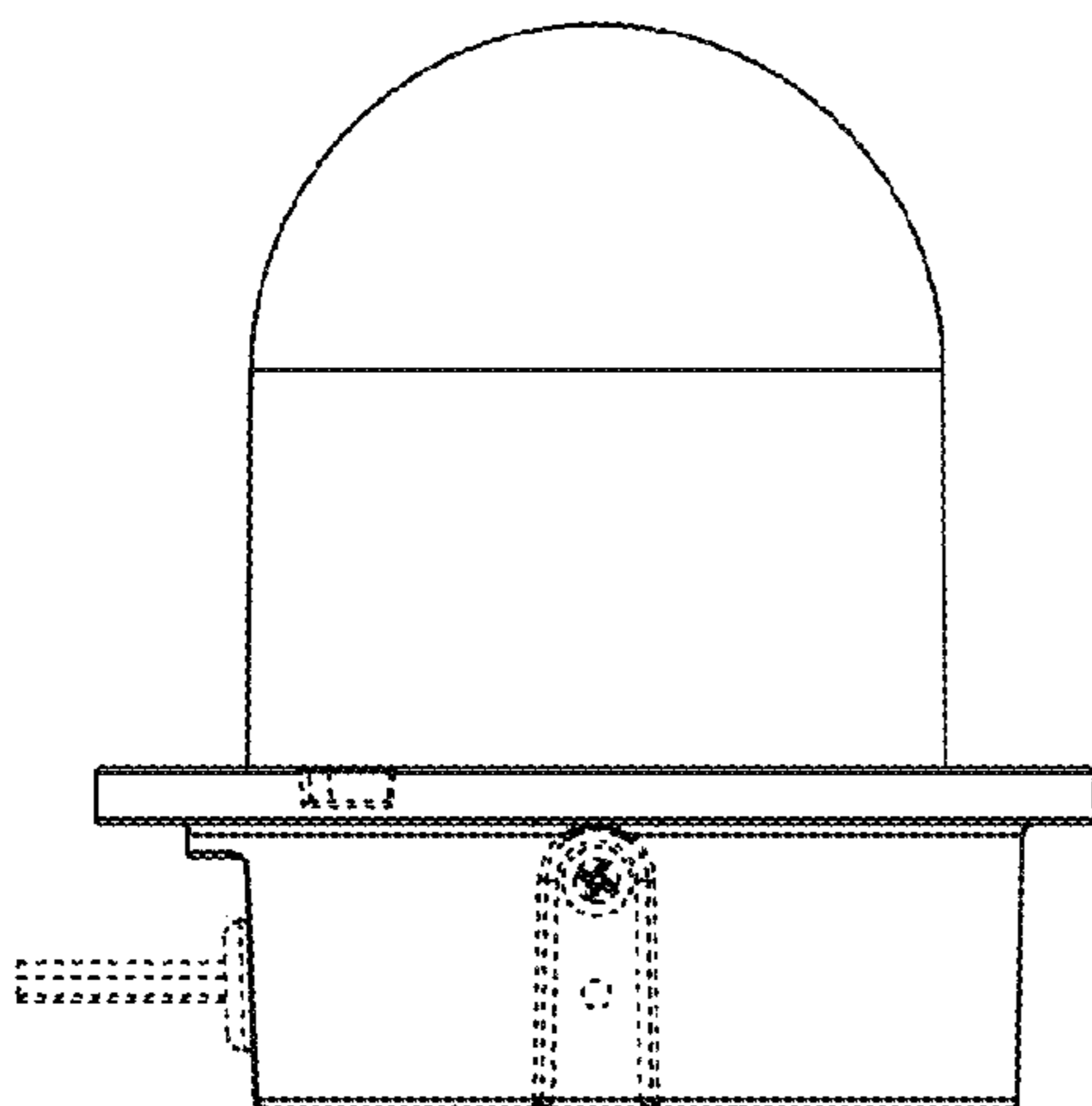


FIG. 15

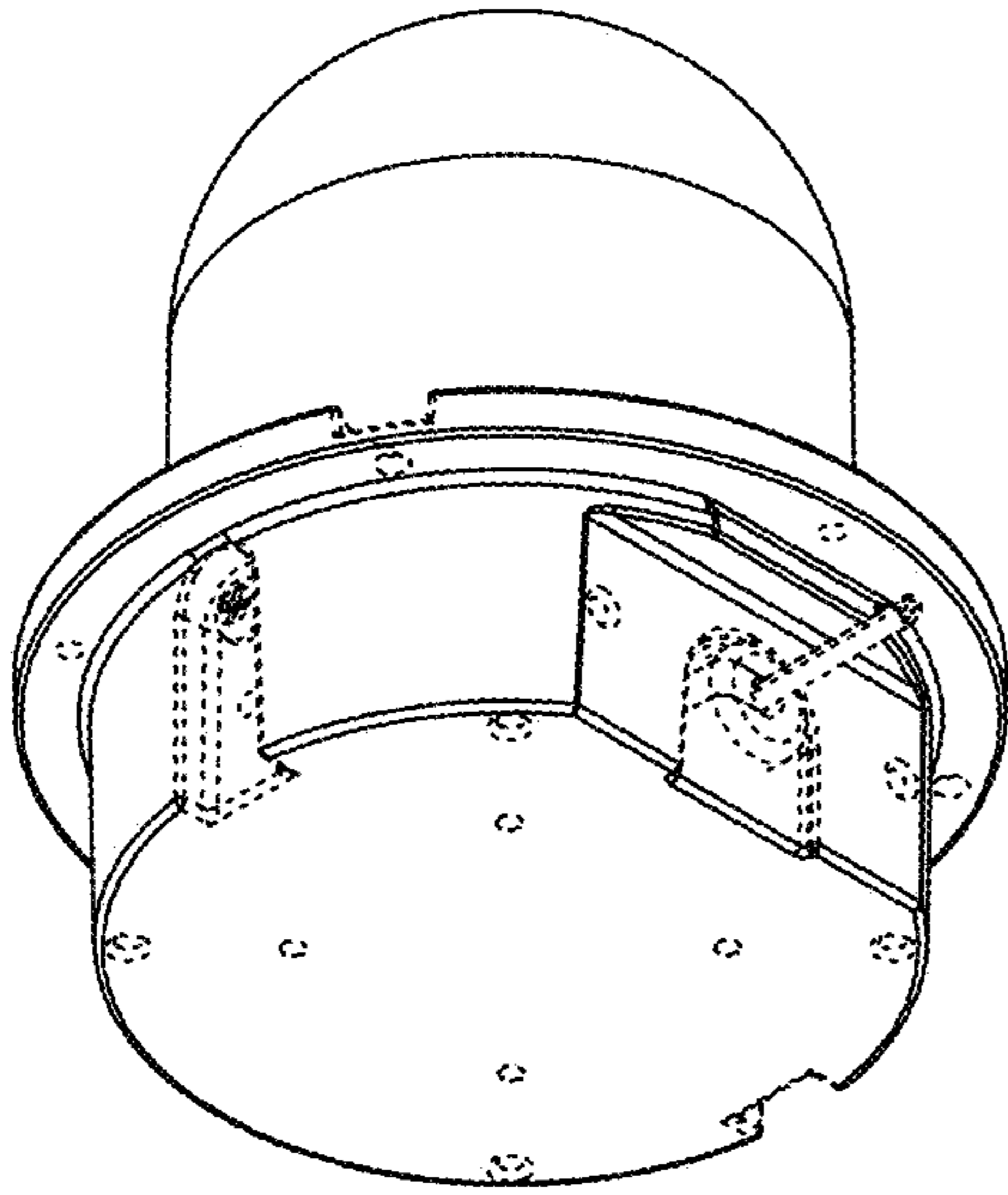


FIG. 16

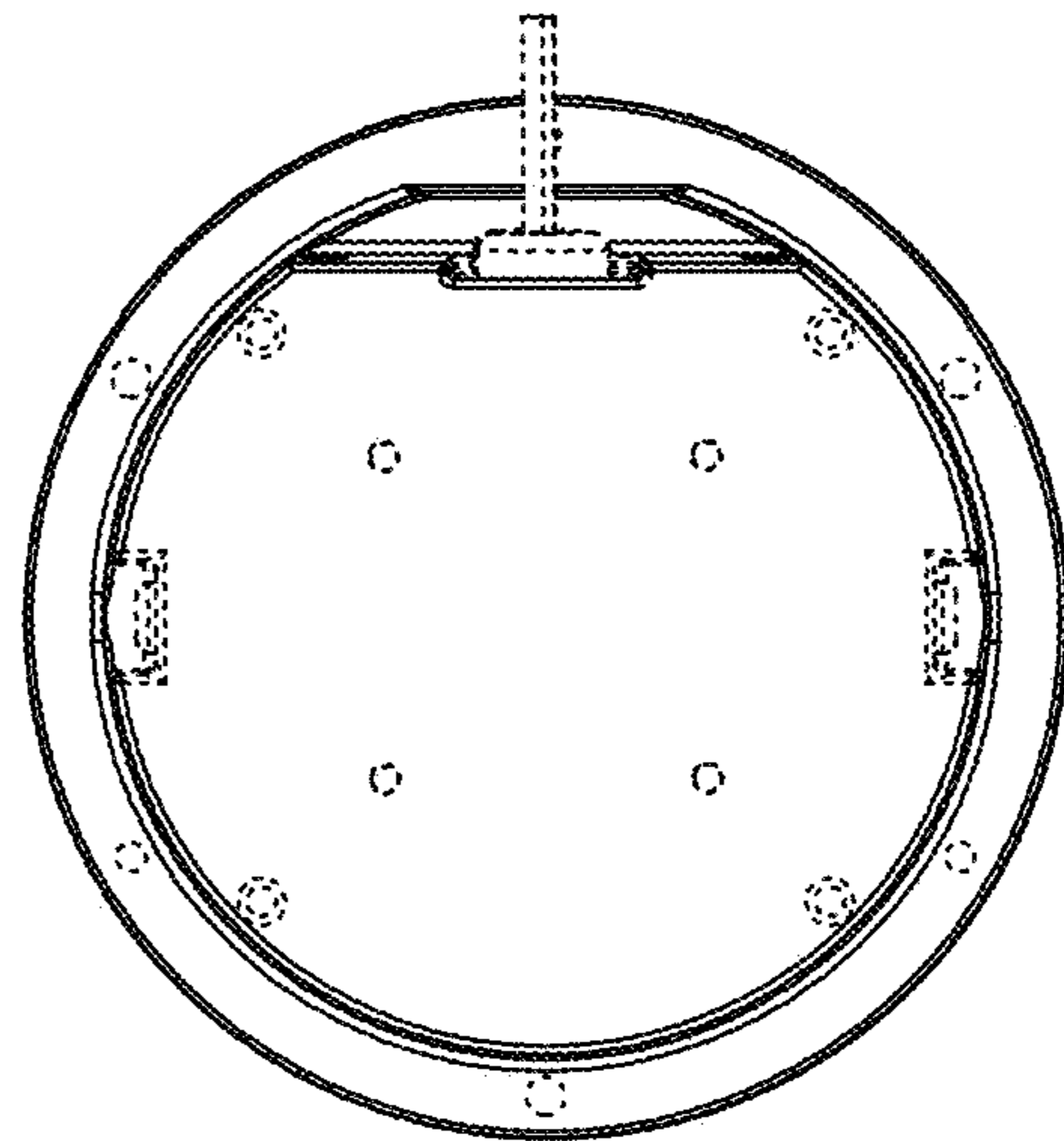


FIG. 17

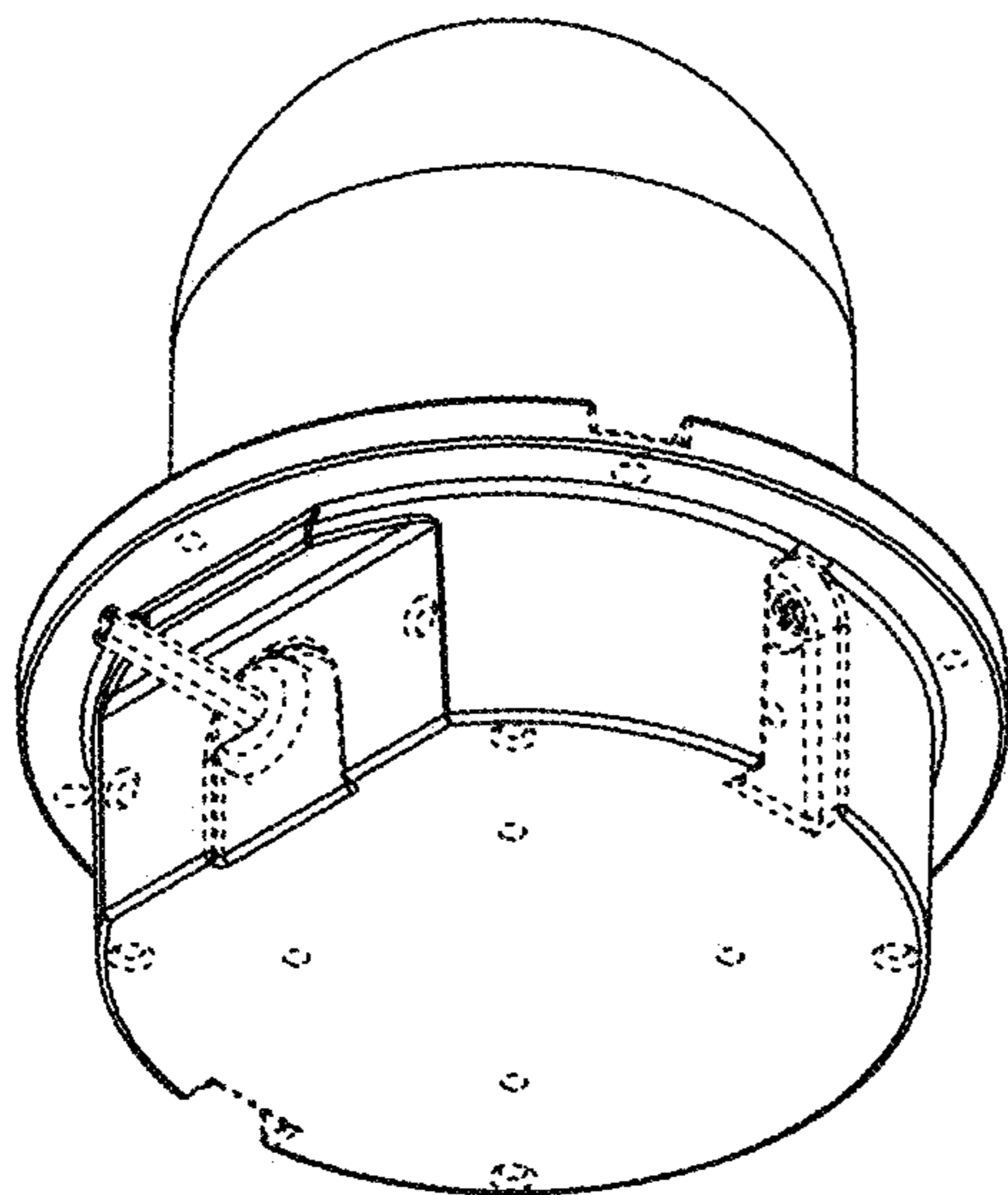


FIG. 18

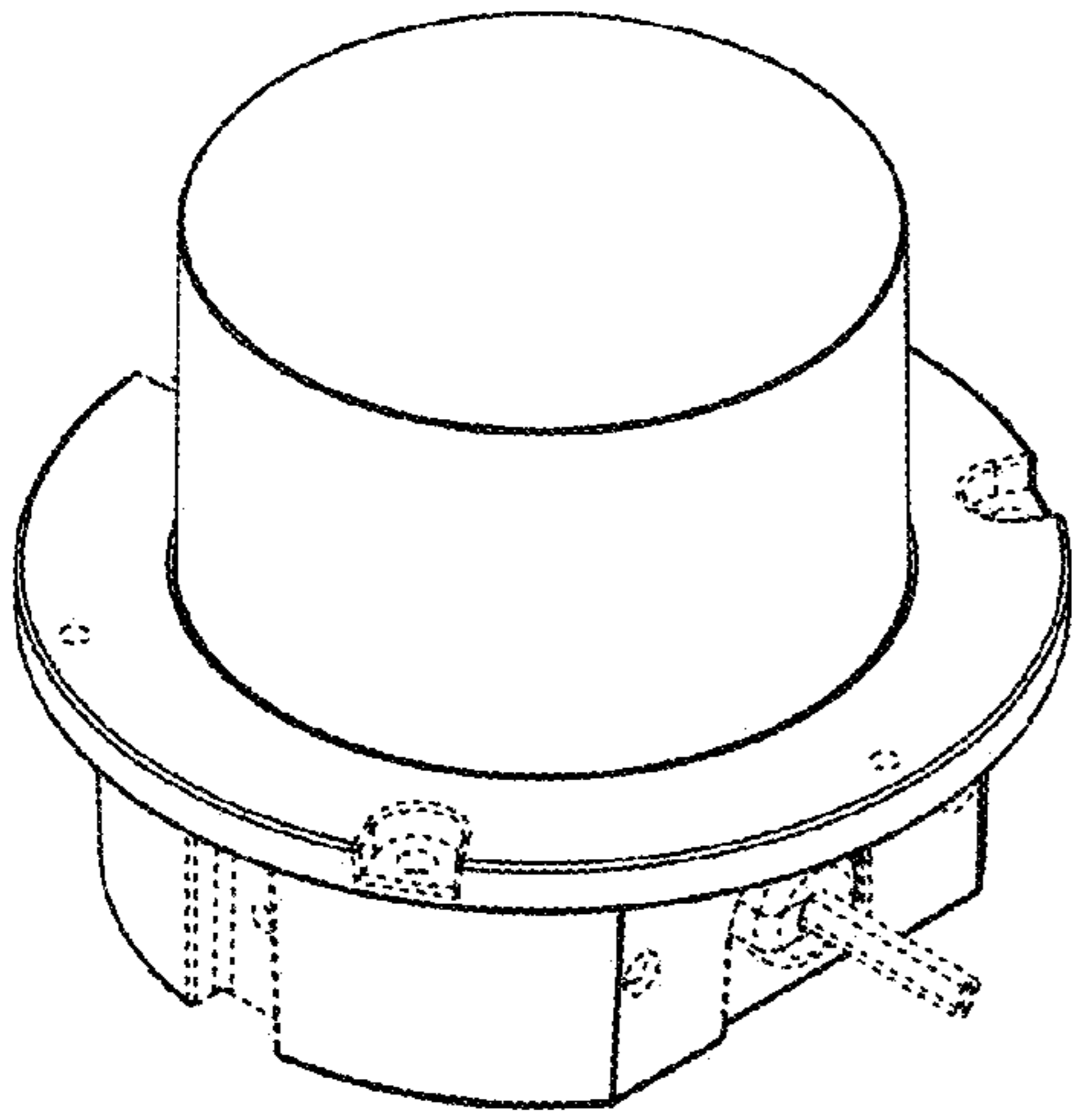


FIG. 19

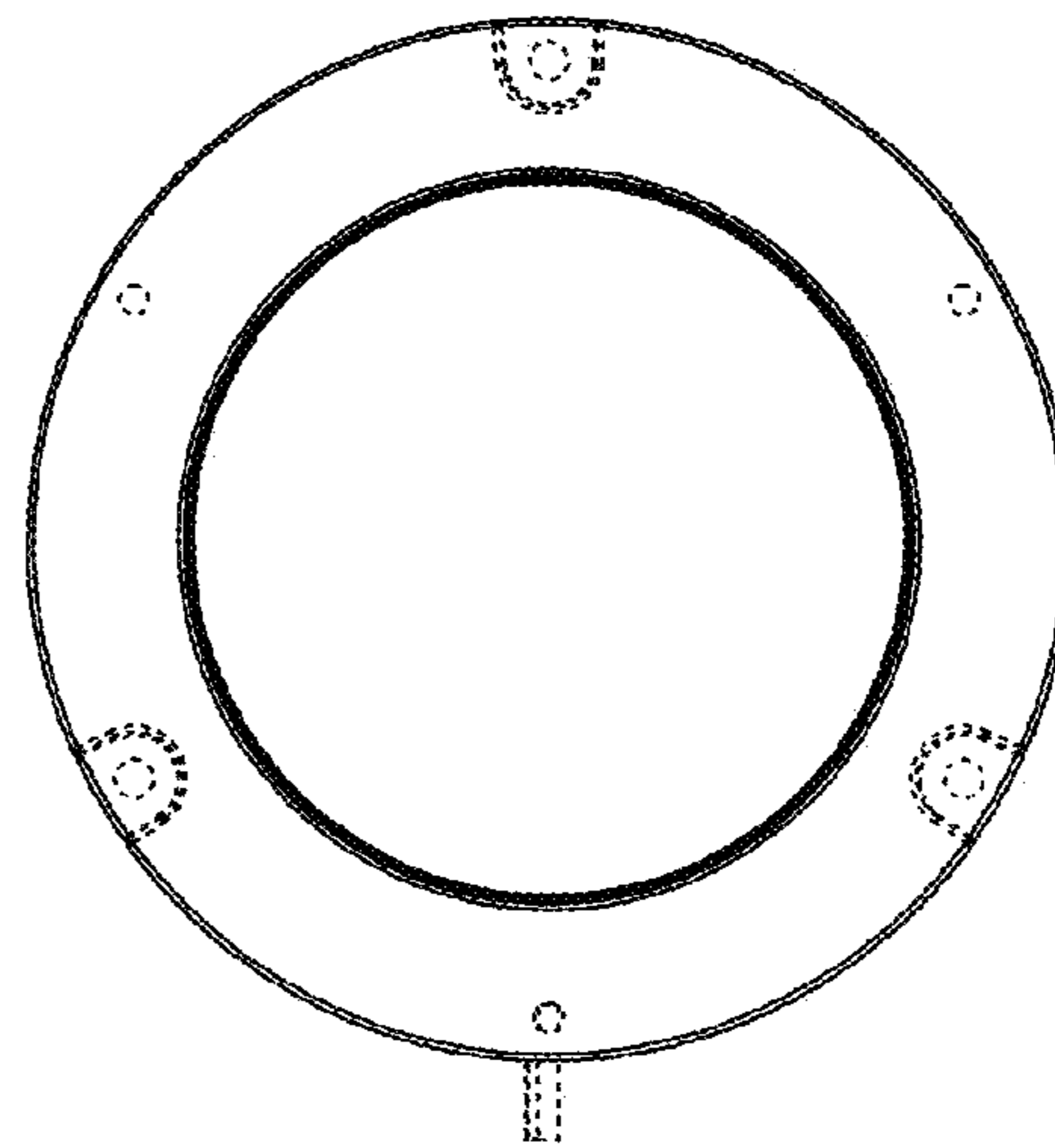


FIG. 20

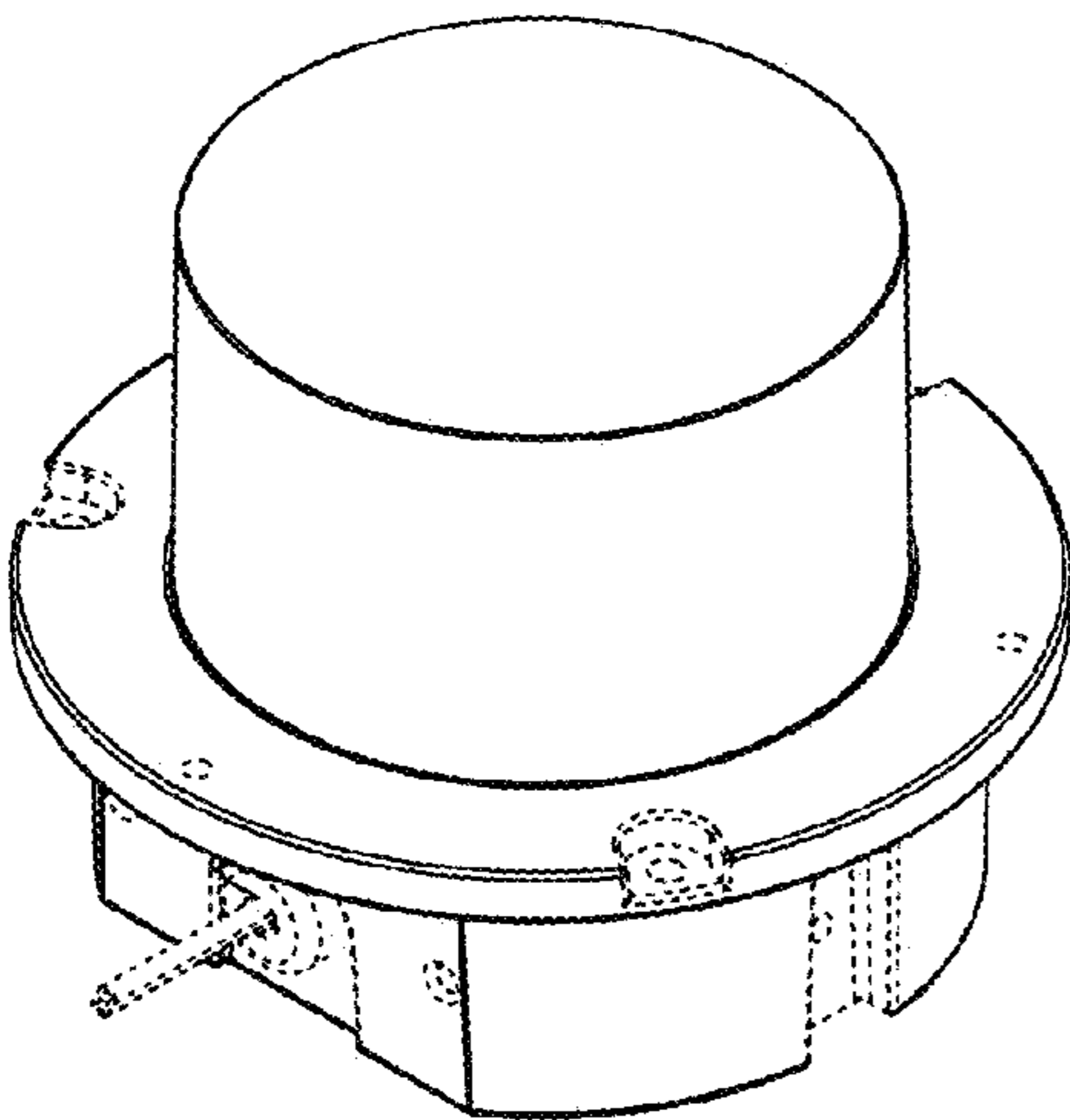


FIG. 21

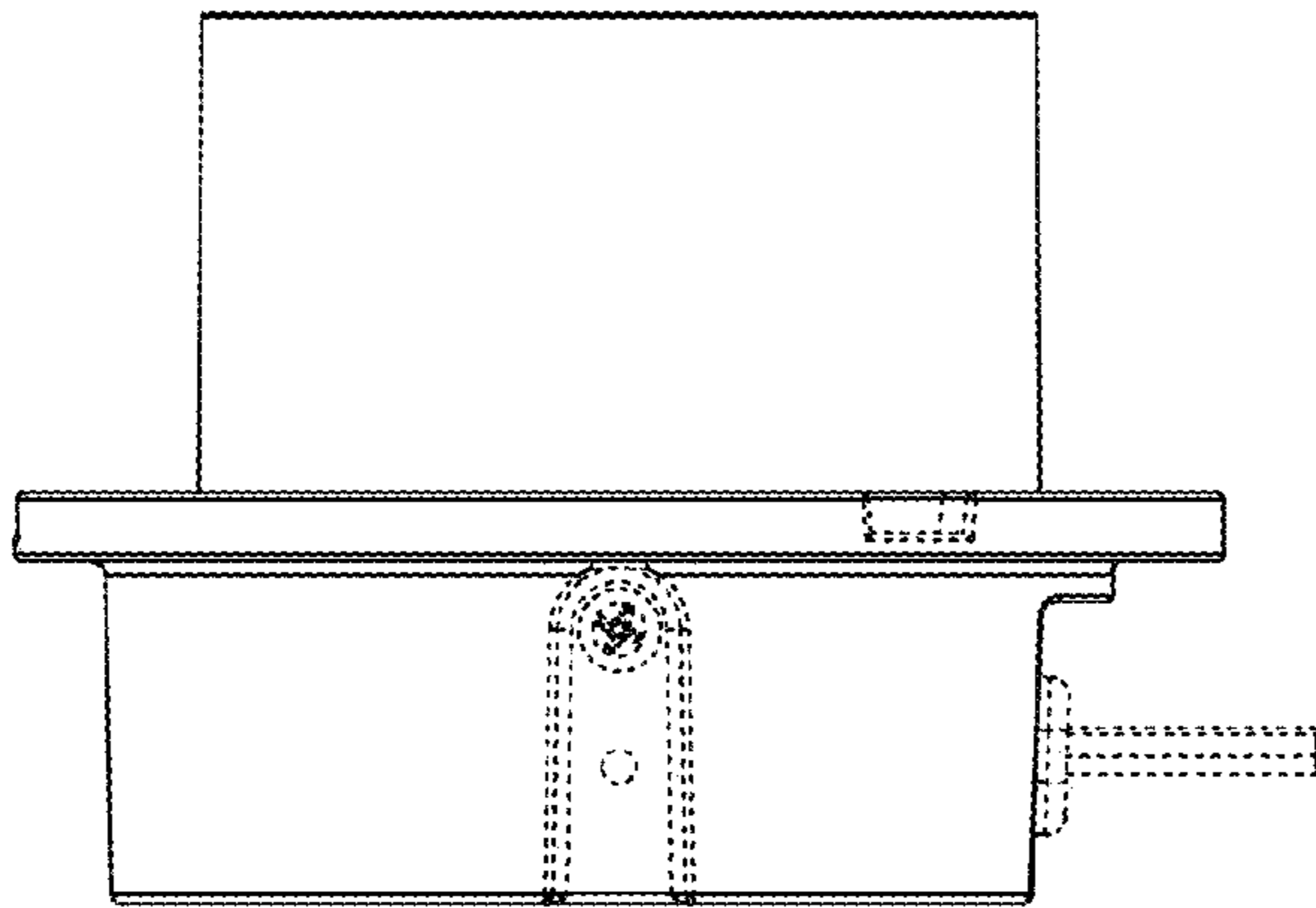


FIG. 22

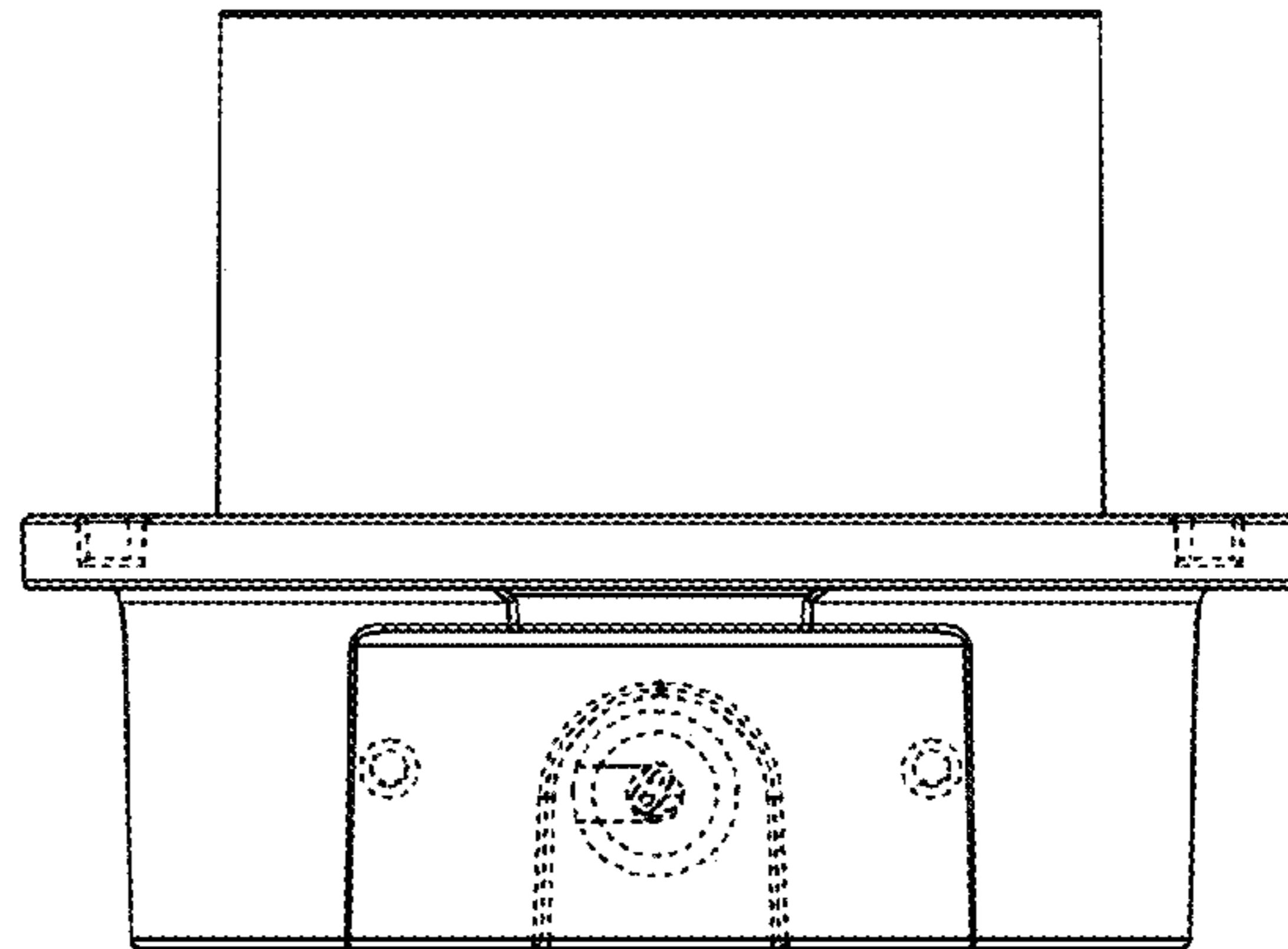


FIG. 23

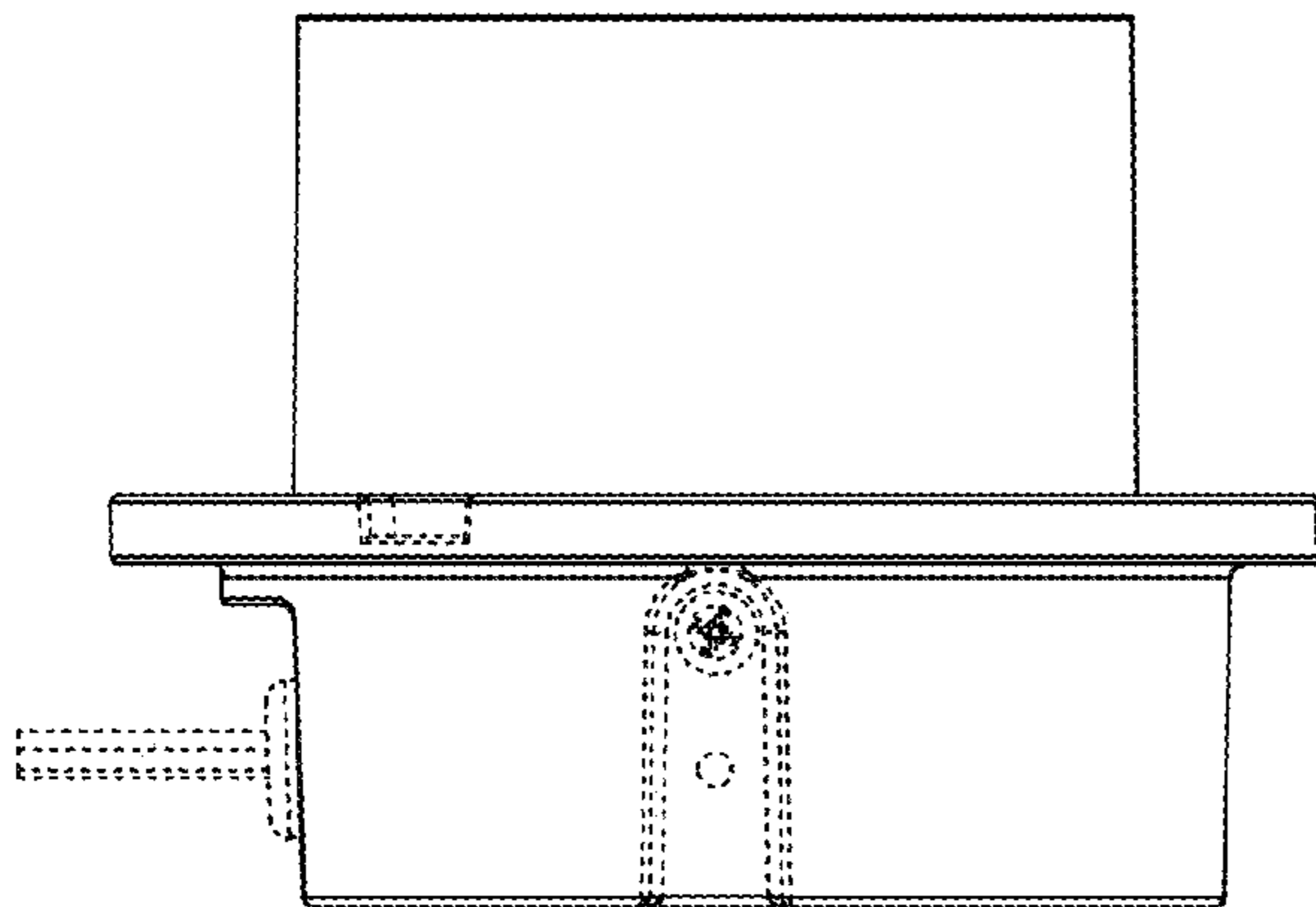


FIG. 24

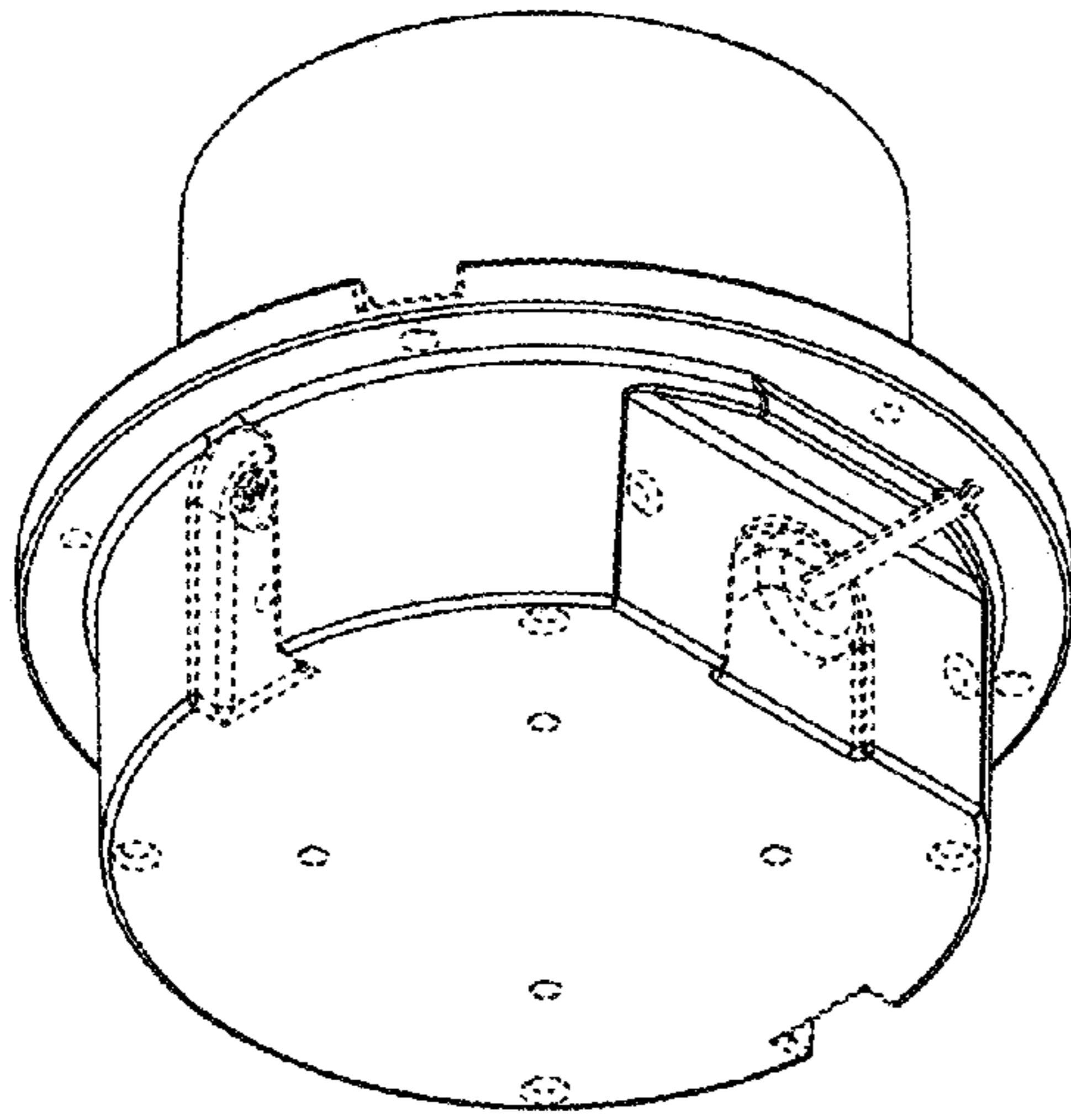


FIG. 25

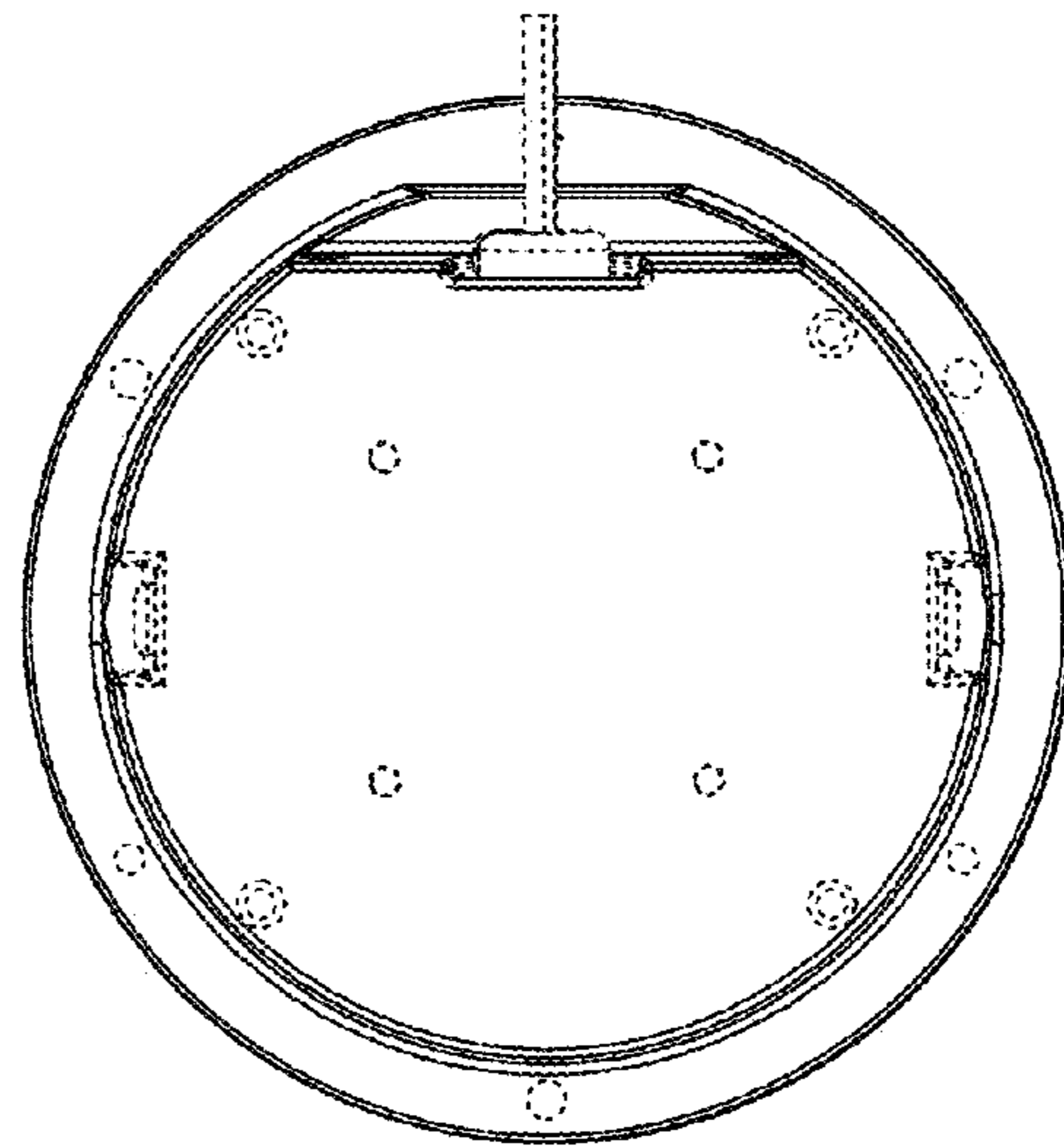


FIG. 26

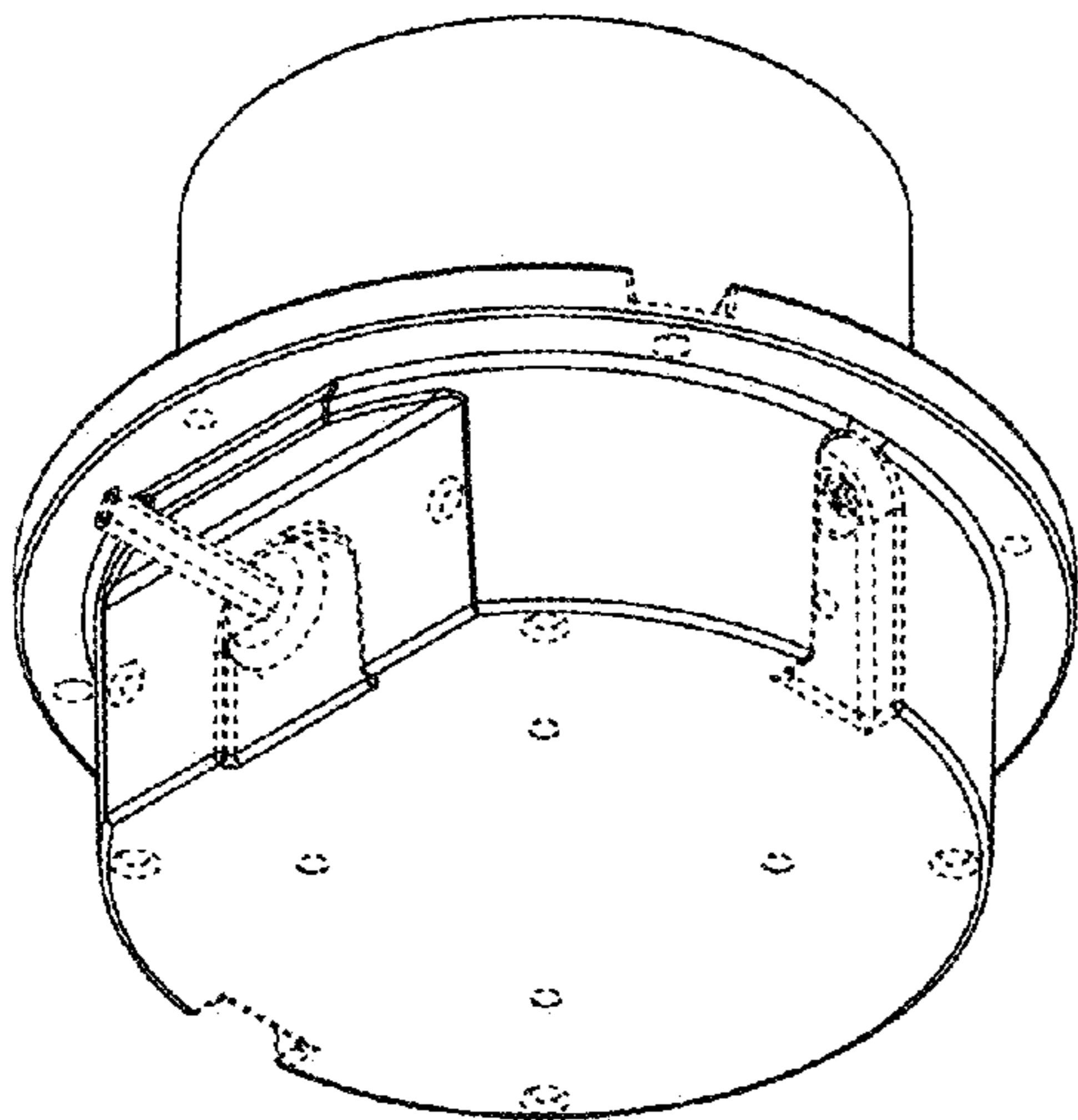


FIG. 27

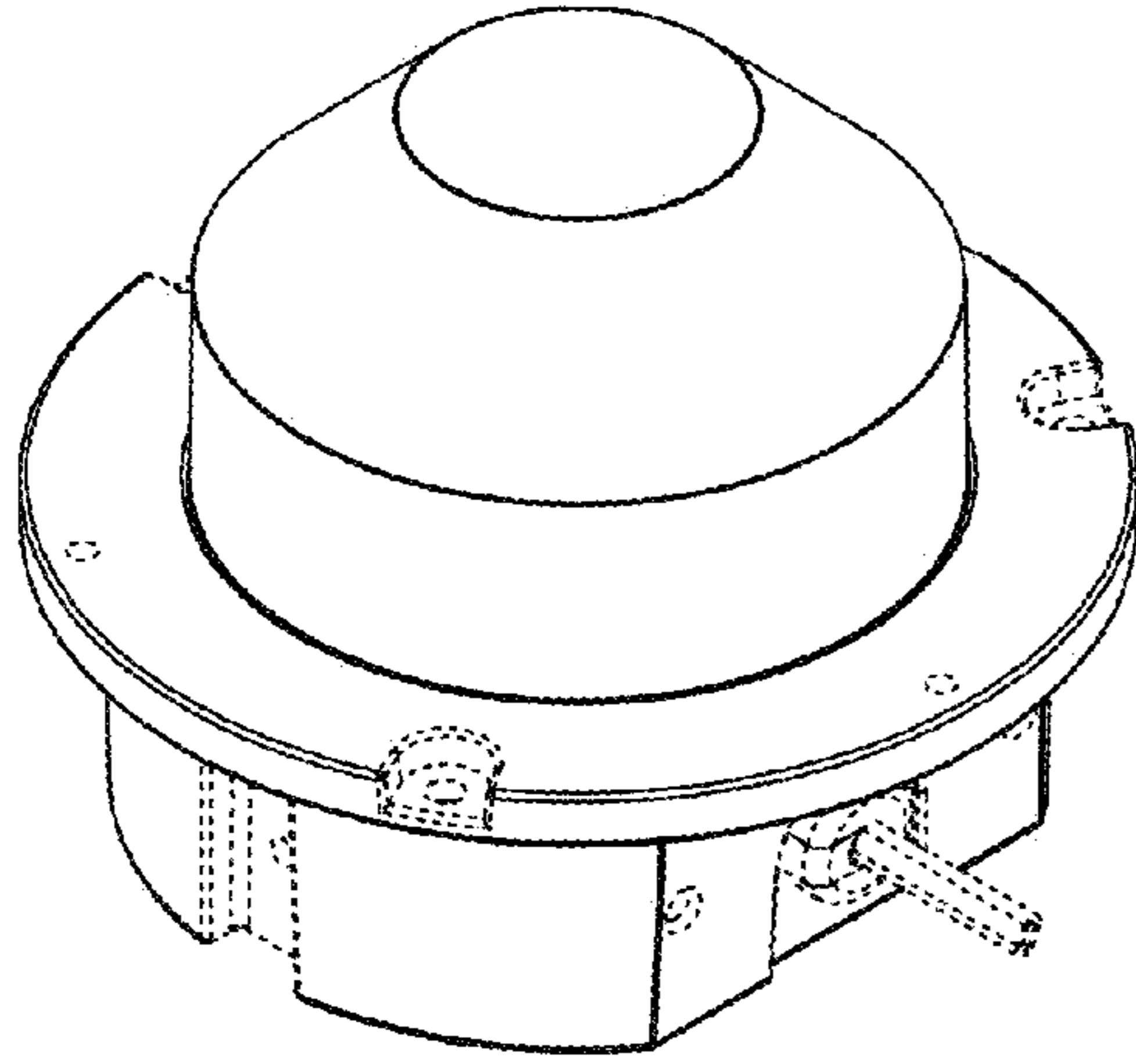


FIG. 28

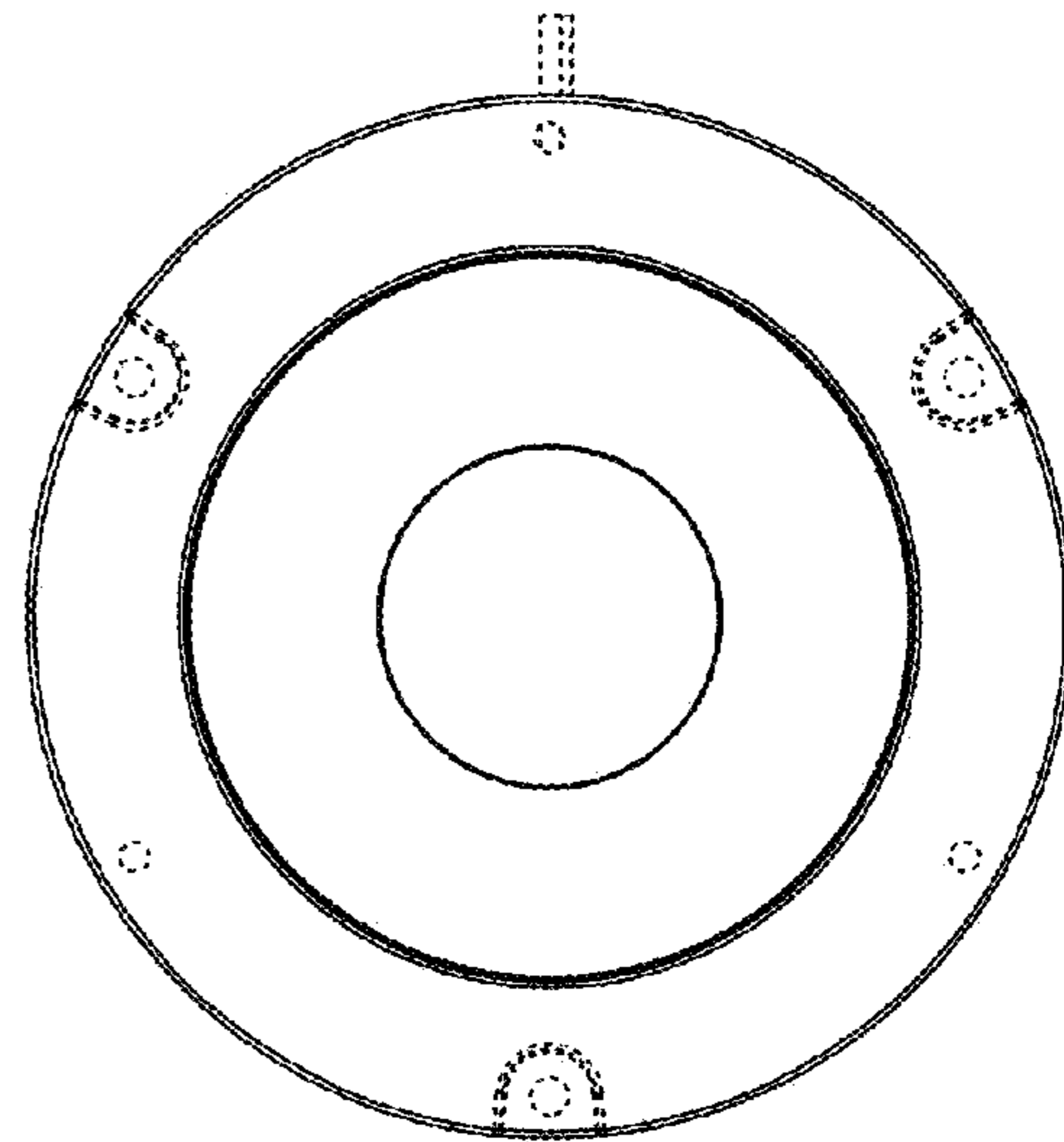


FIG. 29

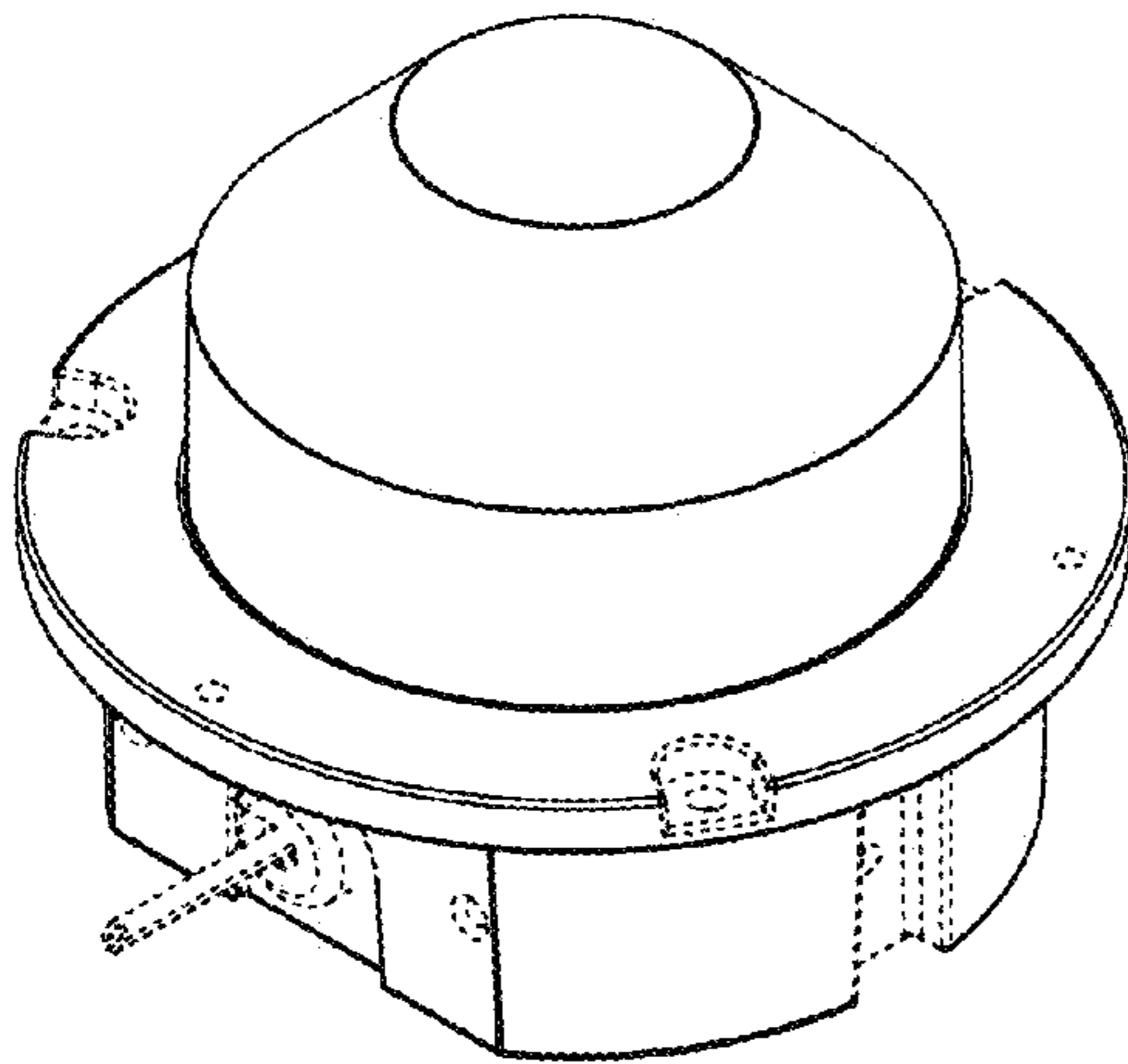


FIG. 30

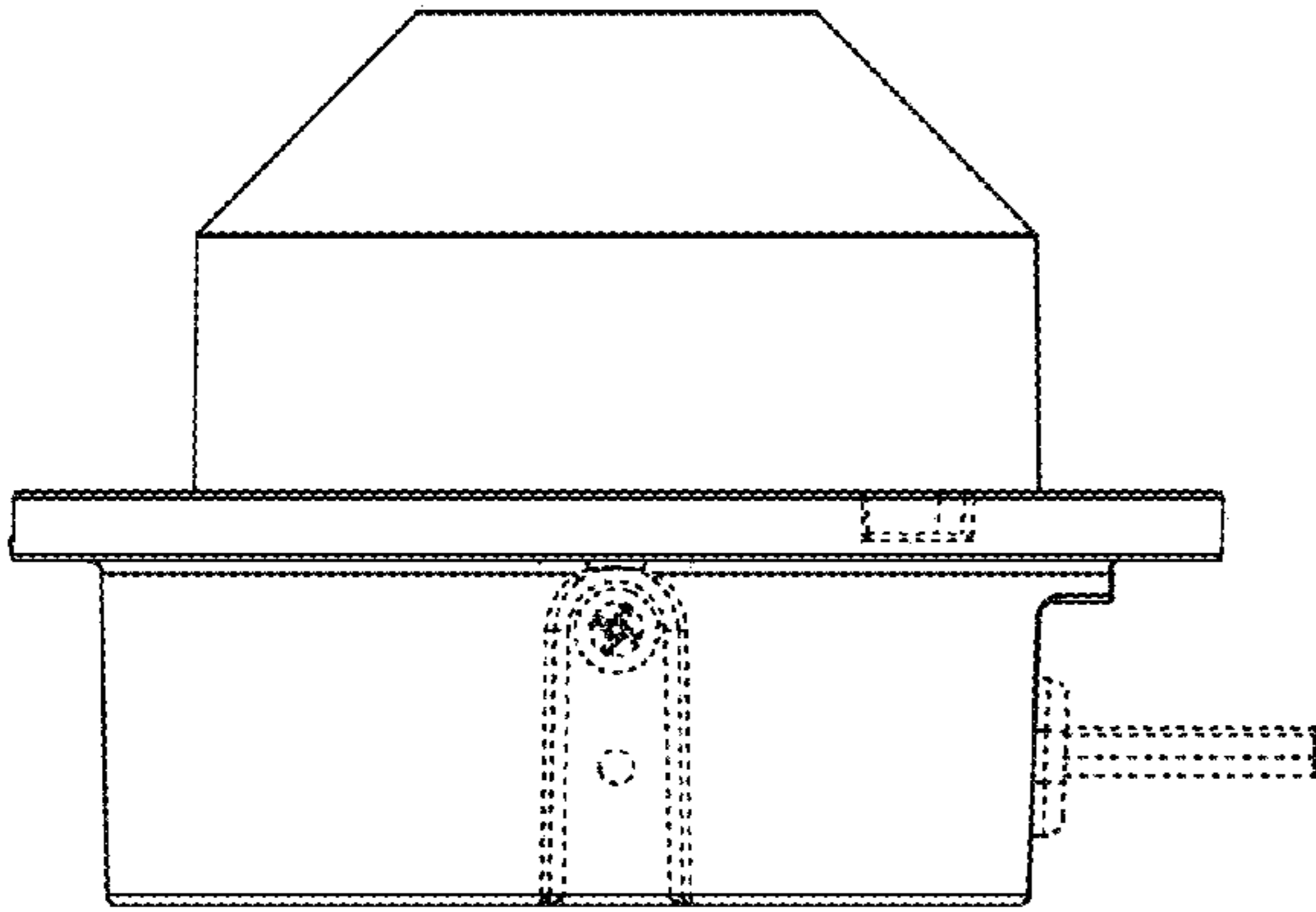


FIG. 31

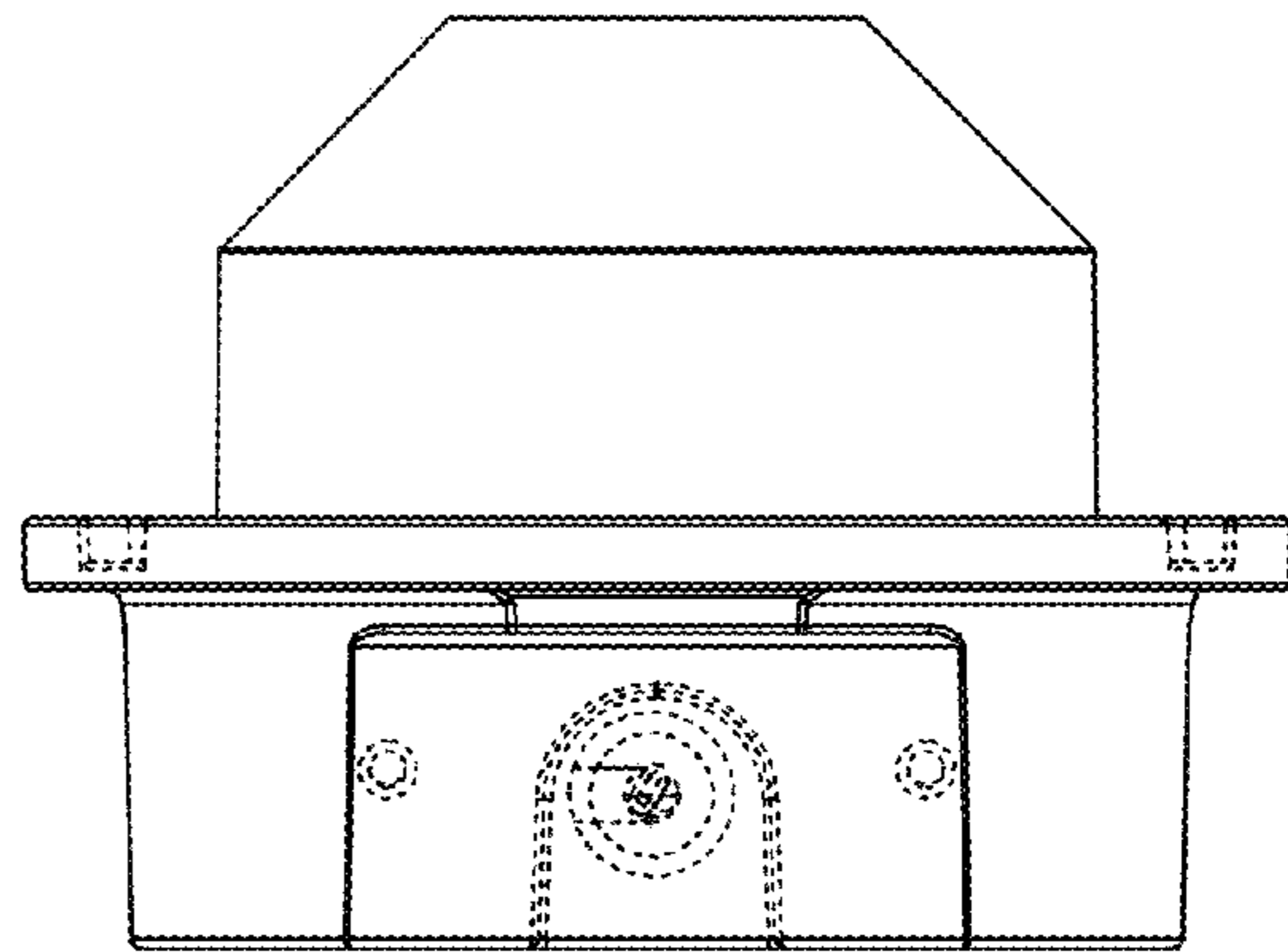


FIG. 32

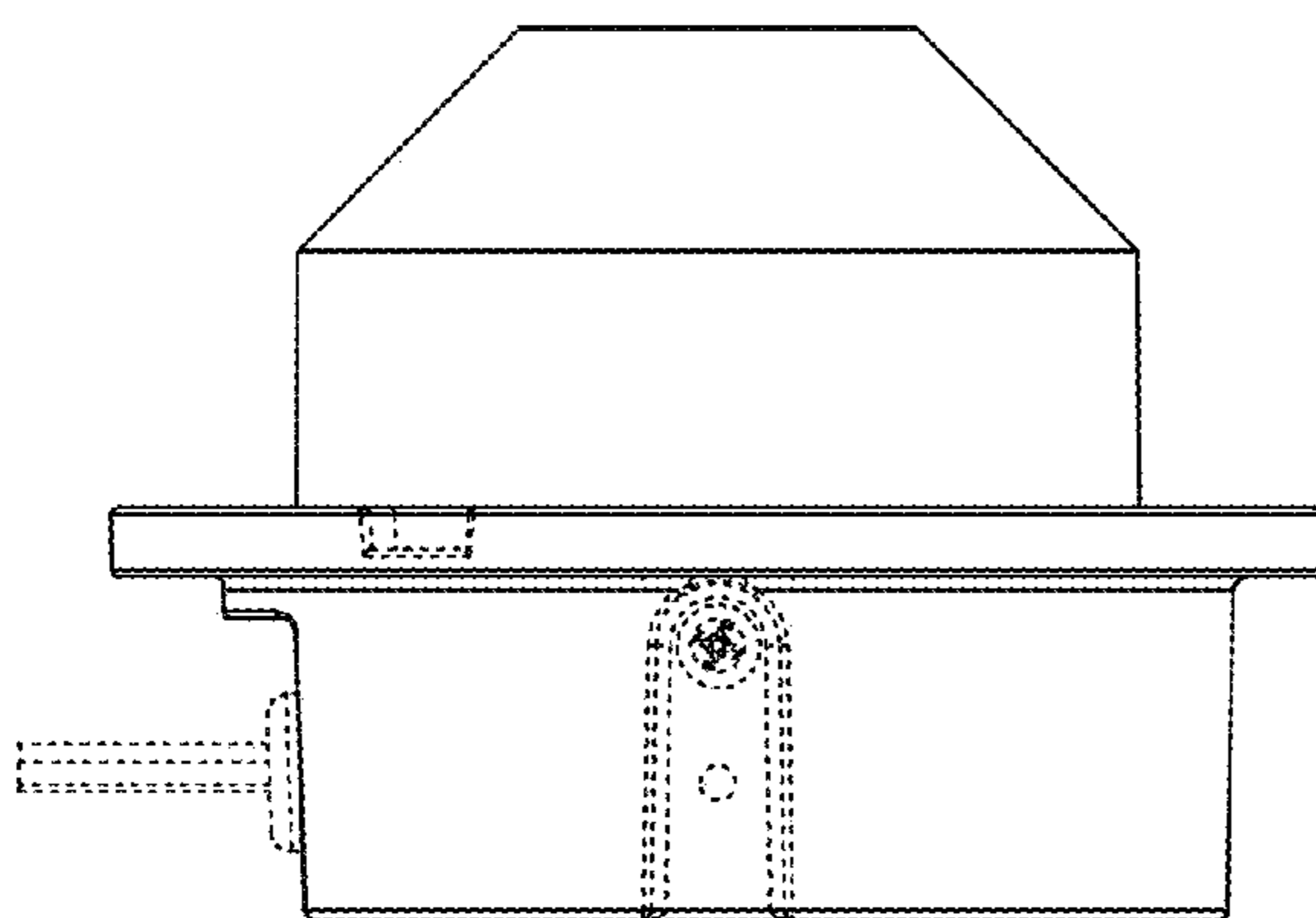


FIG. 33

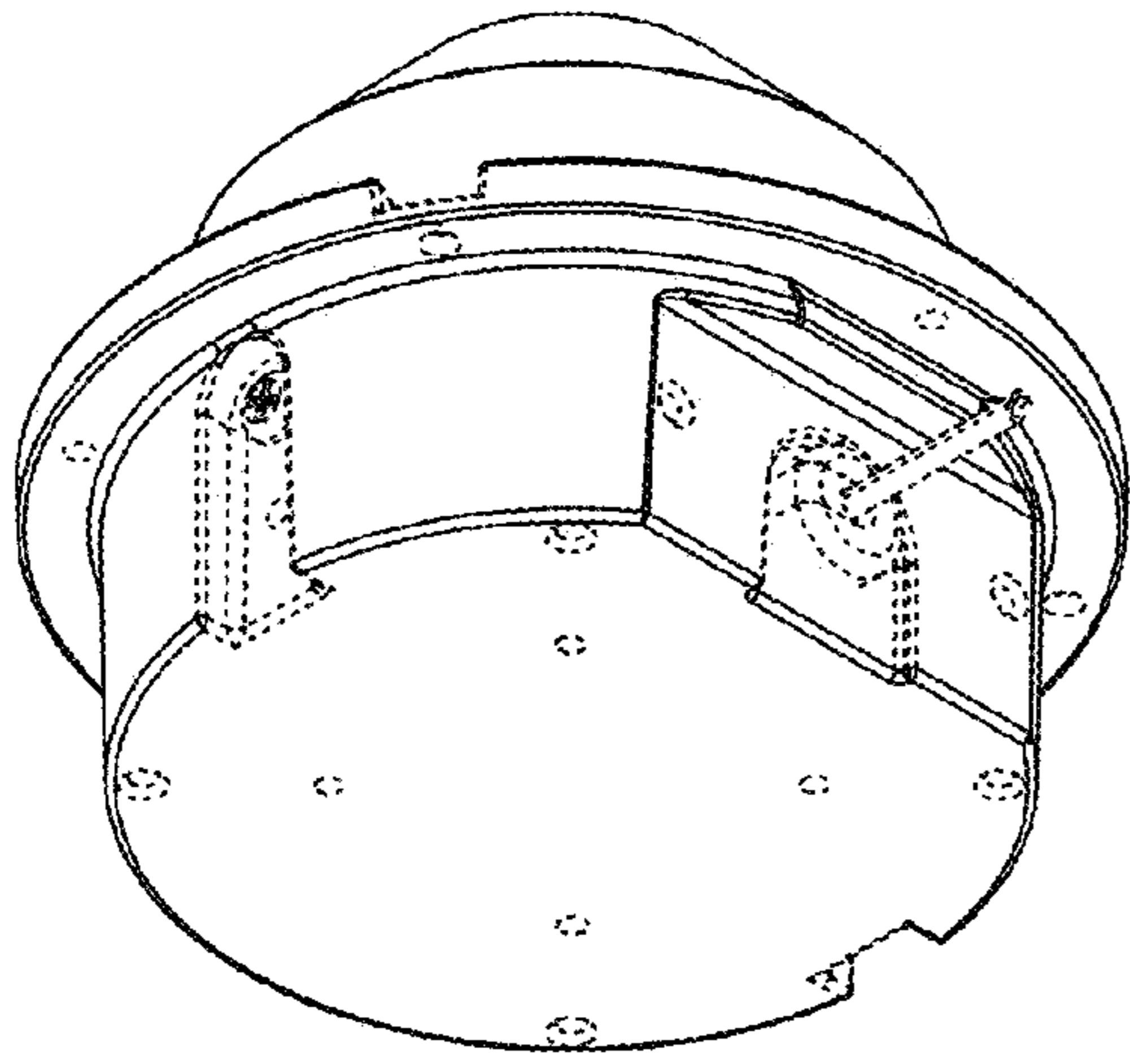


FIG. 34

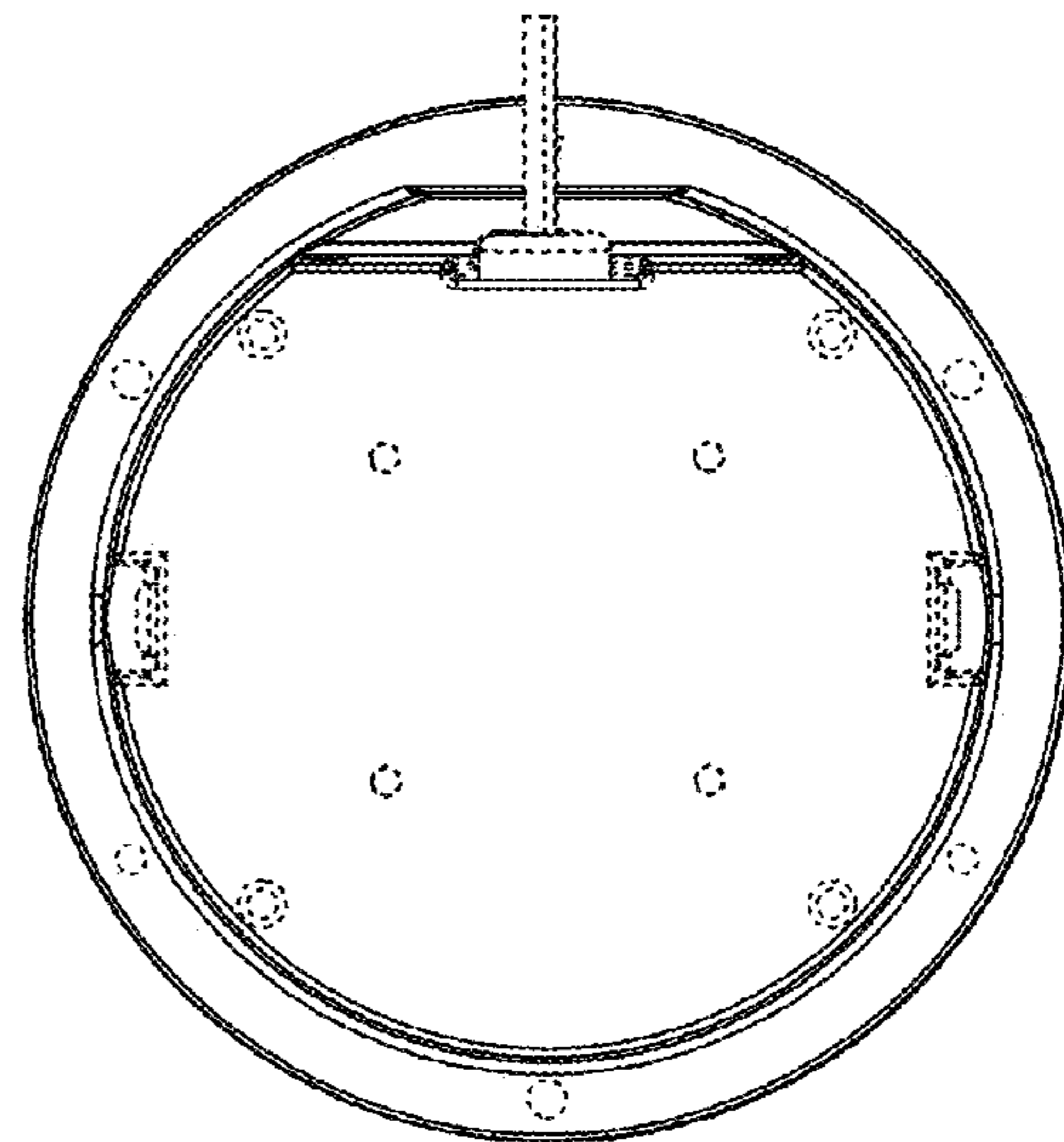


FIG. 35

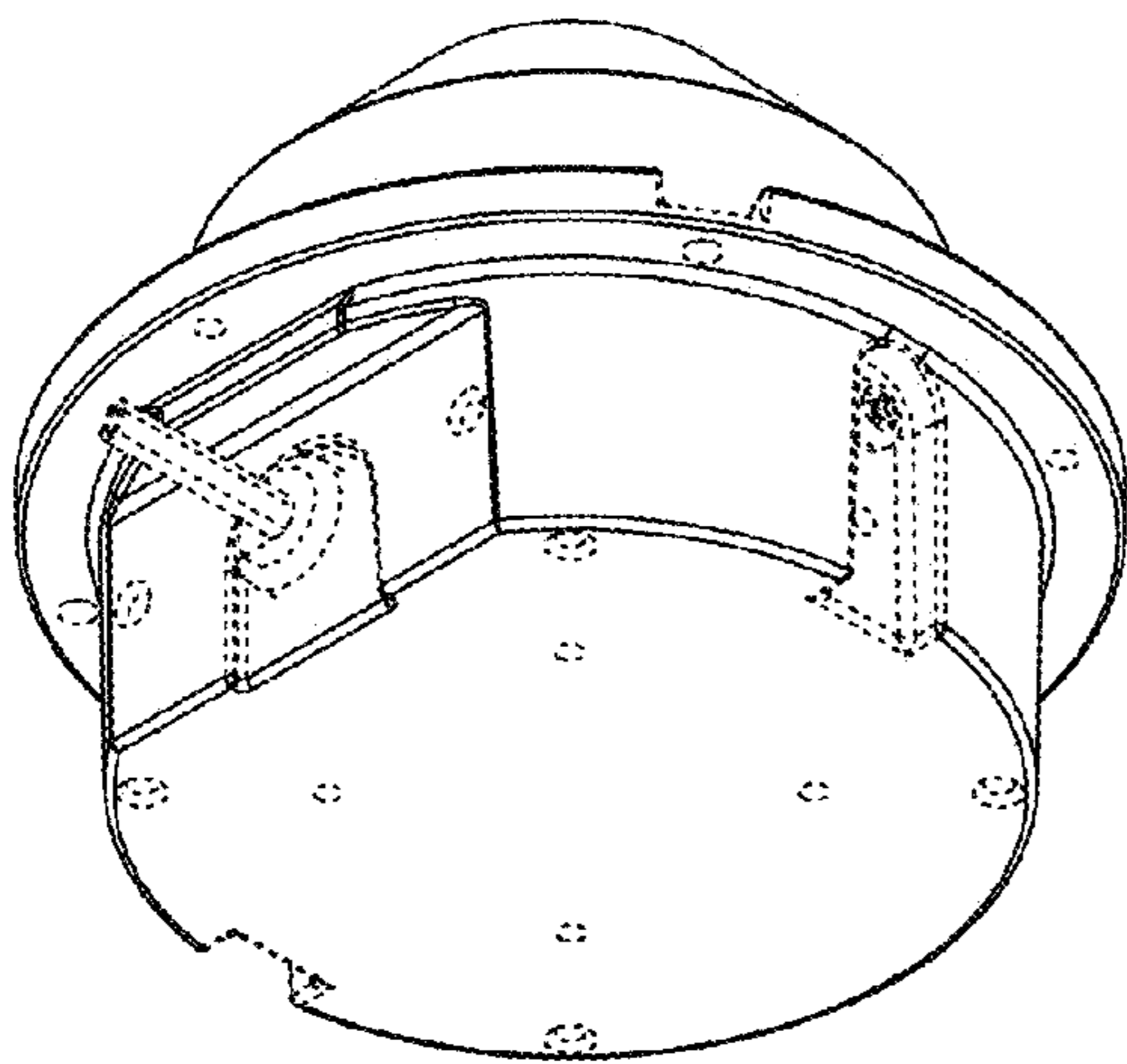


FIG. 36