



US00D692170S

(12) **United States Design Patent**  
**Liu et al.**

(10) **Patent No.:** **US D692,170 S**

(45) **Date of Patent:** **\*\* Oct. 22, 2013**

(54) **LED LAMP**

(75) Inventors: **You-Xue Liu**, Shenzhen (CN); **Qian-Jin Cai**, Shenzhen (CN); **Shi-Song Zheng**, Shenzhen (CN); **Yi-San Liu**, Shenzhen (CN); **Chin-Chung Chen**, New Taipei (TW)

(73) Assignee: **Foxconn Technology Co., Ltd.**, New Taipei (TW)

(\*\*) Term: **14 Years**

(21) Appl. No.: **29/422,256**

(22) Filed: **May 17, 2012**

(30) **Foreign Application Priority Data**

Apr. 27, 2012 (CN) ..... 201230135654

(51) **LOC (9) Cl.** ..... **26-05**

(52) **U.S. Cl.**  
USPC ..... **D26/71**

(58) **Field of Classification Search**  
USPC ..... D26/67-72, 85, 92; 362/145, 183, 231,  
362/240, 249.02, 249.03, 249.04, 249.06,  
362/249.16, 373, 311.02, 697, 547, 431,  
362/432

See application file for complete search history.

(56) **References Cited**

**U.S. PATENT DOCUMENTS**

D198,183 S \* 5/1964 Akely ..... D26/71  
D610,287 S \* 2/2010 Gill ..... D26/71

D614,336 S \* 4/2010 Zheng et al. .... D26/71  
D627,093 S \* 11/2010 Shiao et al. .... D26/71  
D631,999 S \* 2/2011 Little et al. .... D26/71  
D634,875 S \* 3/2011 Jiang et al. .... D26/71  
D654,203 S \* 2/2012 Kuan et al. .... D26/71  
8,220,977 B2 \* 7/2012 Fugerer et al. .... 362/373  
D672,077 S \* 12/2012 Cai et al. .... D26/71  
D678,582 S \* 3/2013 Du et al. .... D26/71  
8,430,532 B2 \* 4/2013 Lee et al. .... 362/294  
8,444,298 B2 \* 5/2013 Lin et al. .... 362/249.02  
2009/0251898 A1 \* 10/2009 Kinnune et al. .... 362/249.02  
2009/0262543 A1 \* 10/2009 Ho ..... 362/373  
2009/0296386 A1 \* 12/2009 Wang et al. .... 362/235

\* cited by examiner

*Primary Examiner* — Clare E Heflin

(74) *Attorney, Agent, or Firm* — Altis & Wispro Law Group, Inc.

(57) **CLAIM**

The ornamental design for an LED lamp, as shown and described.

**DESCRIPTION**

FIG. 1 is a perspective view of an LED lamp showing our new design.

FIG. 2 is a front elevational view of the LED lamp.

FIG. 3 is a rear elevational view of the LED lamp.

FIG. 4 is a left-side, elevational view of the LED lamp.

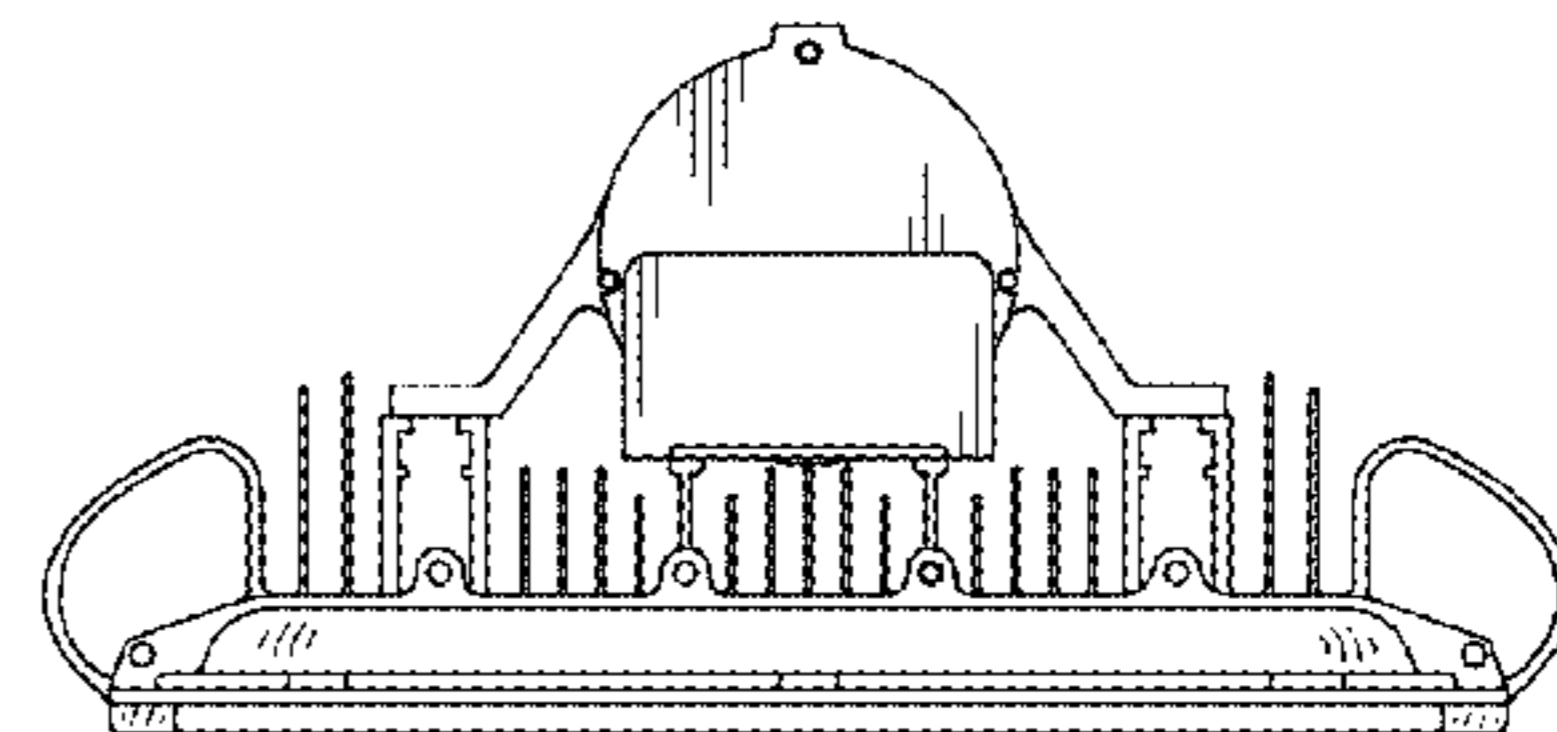
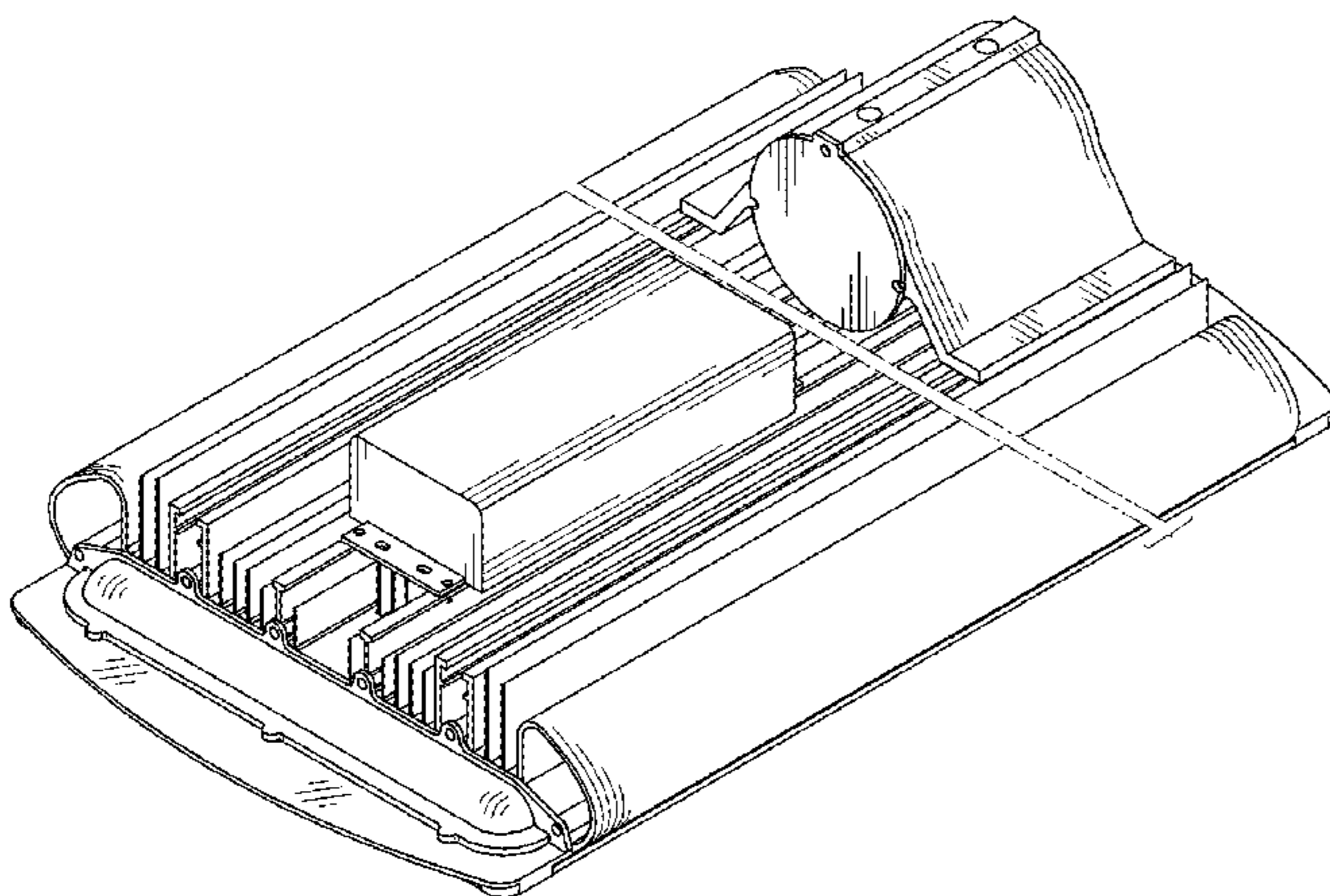
FIG. 5 is a right-side, elevational view of the LED lamp.

FIG. 6 is a top plan view of the LED lamp; and,

FIG. 7 is a bottom plan view of the LED lamp.

The LED lamp is shown broken away to indicate that no particular length is claimed.

**1 Claim, 7 Drawing Sheets**



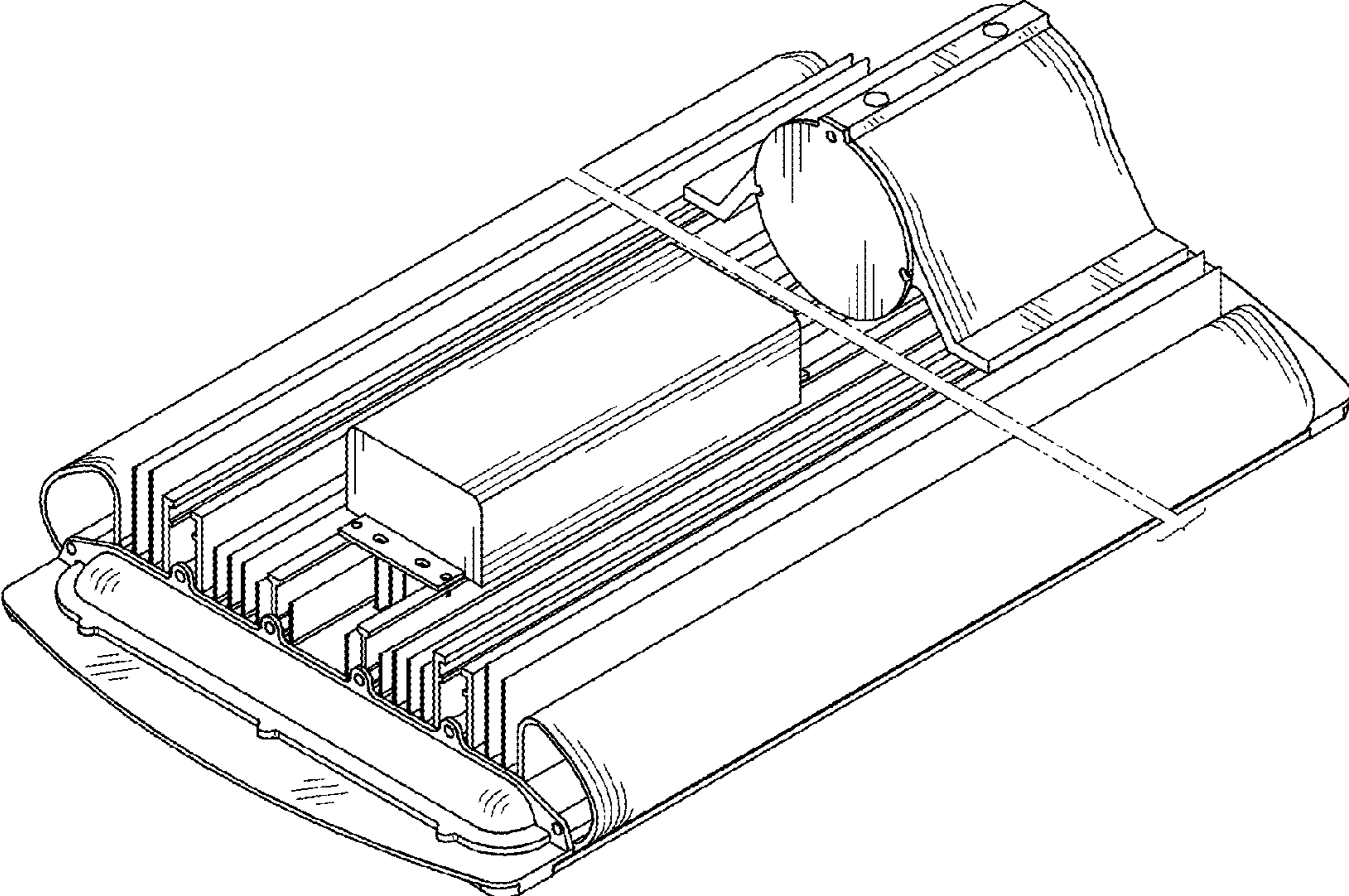


FIG. 1

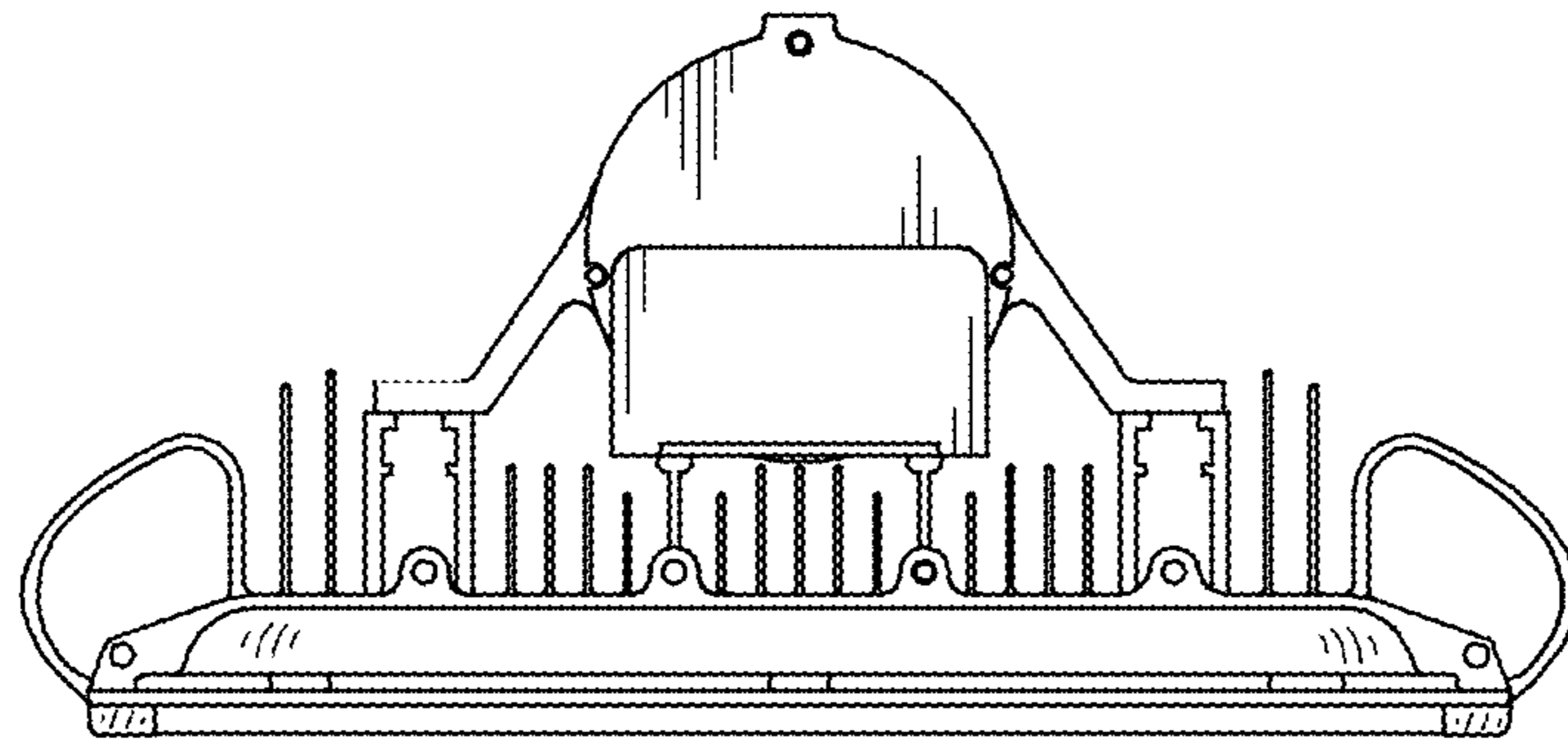


FIG. 2

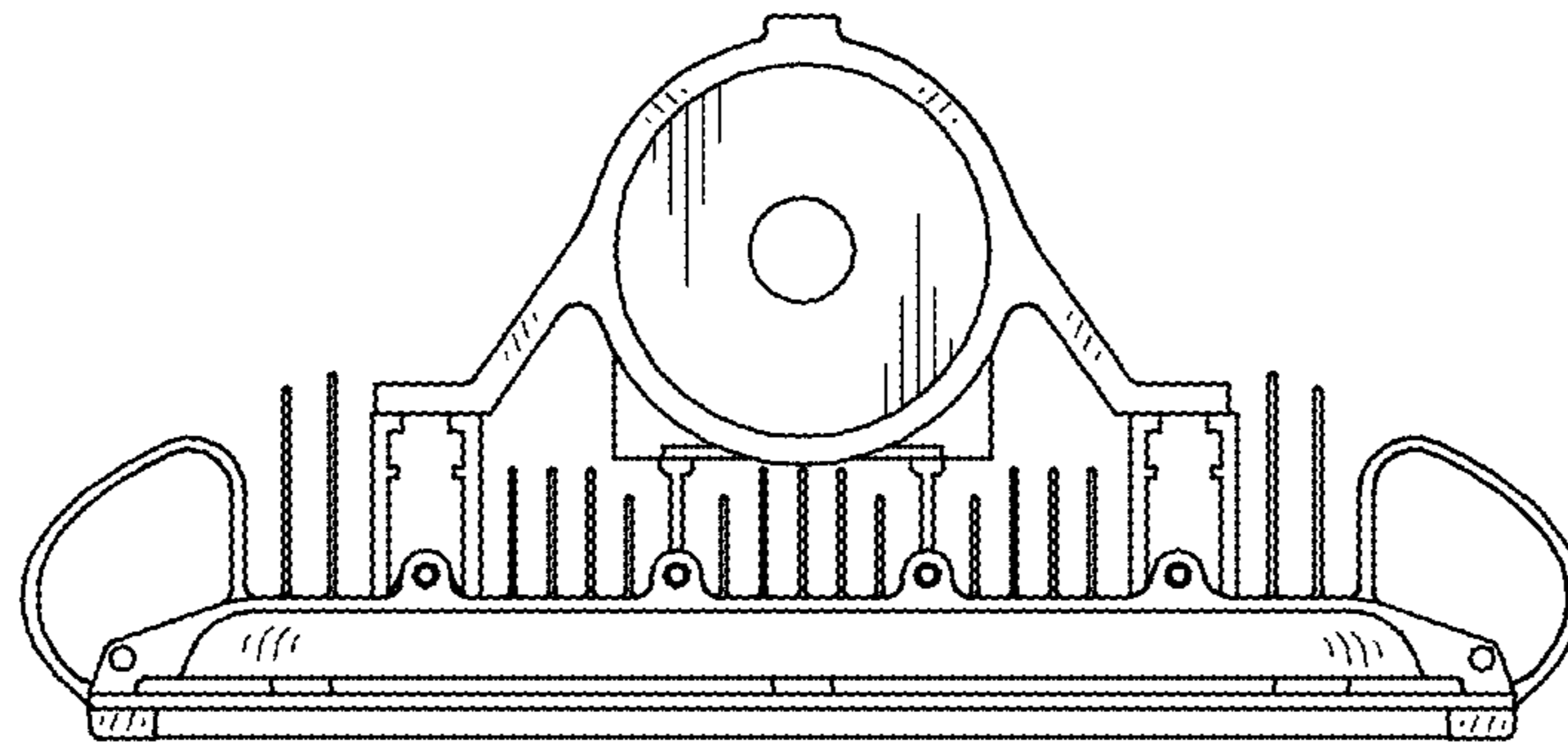


FIG. 3

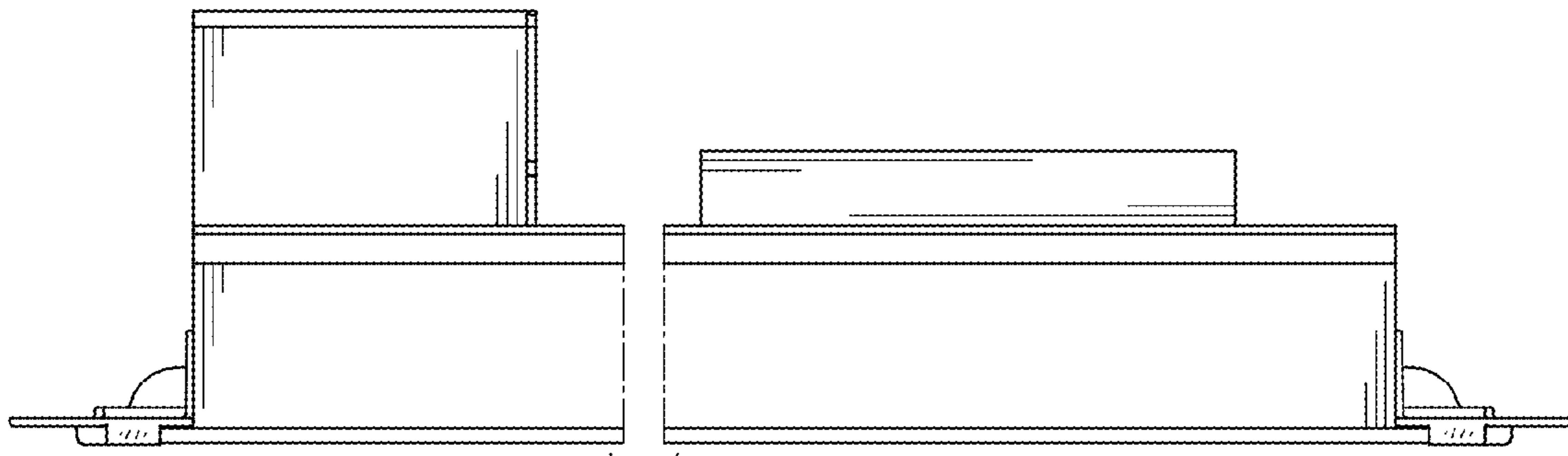


FIG. 4

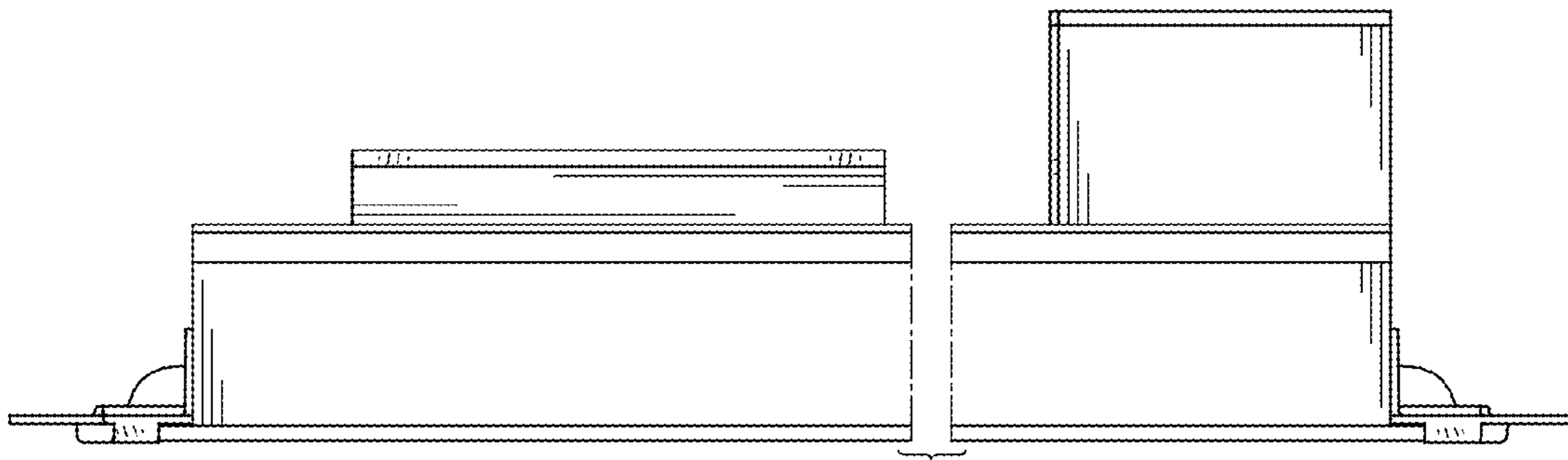


FIG. 5

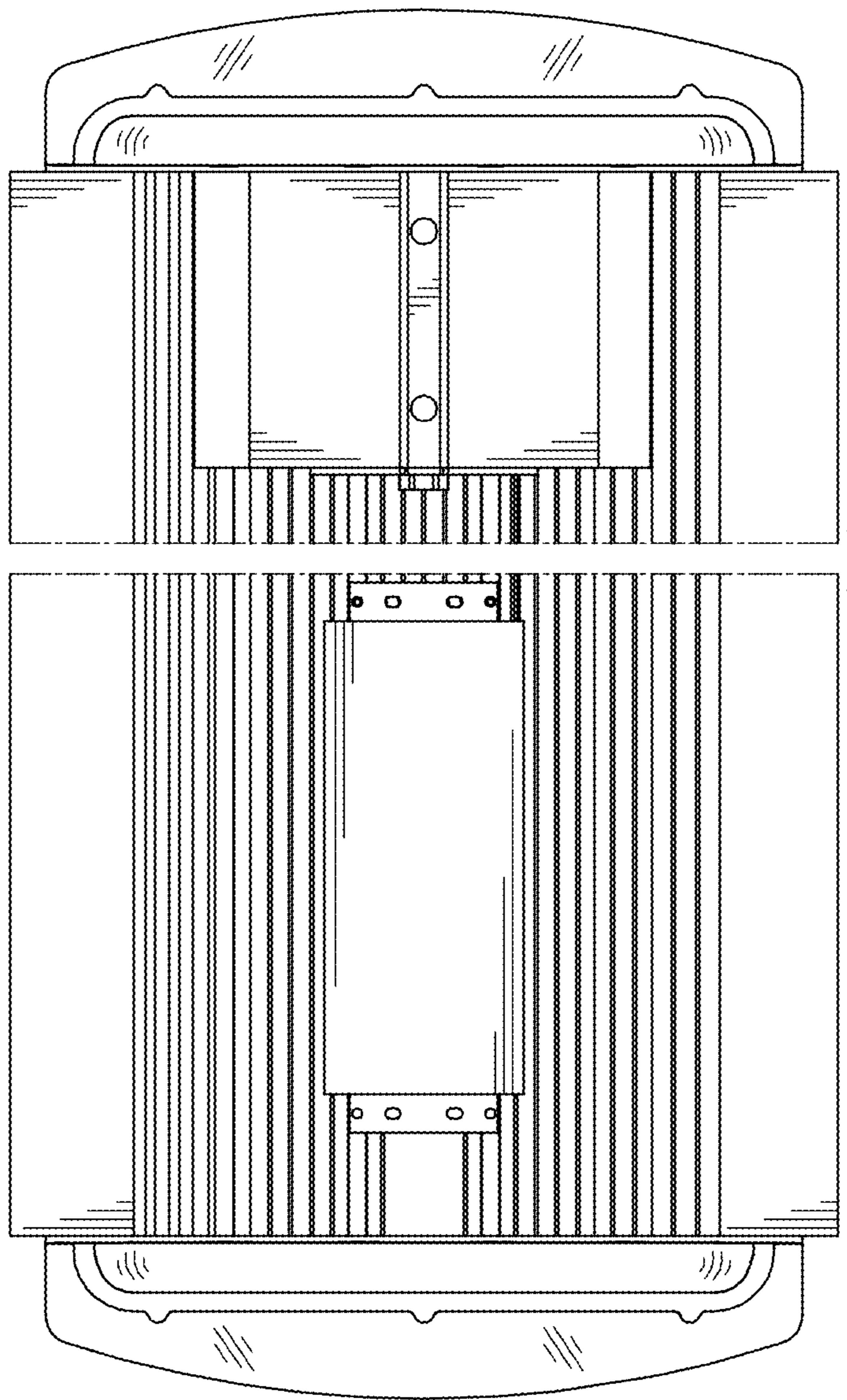


FIG. 6

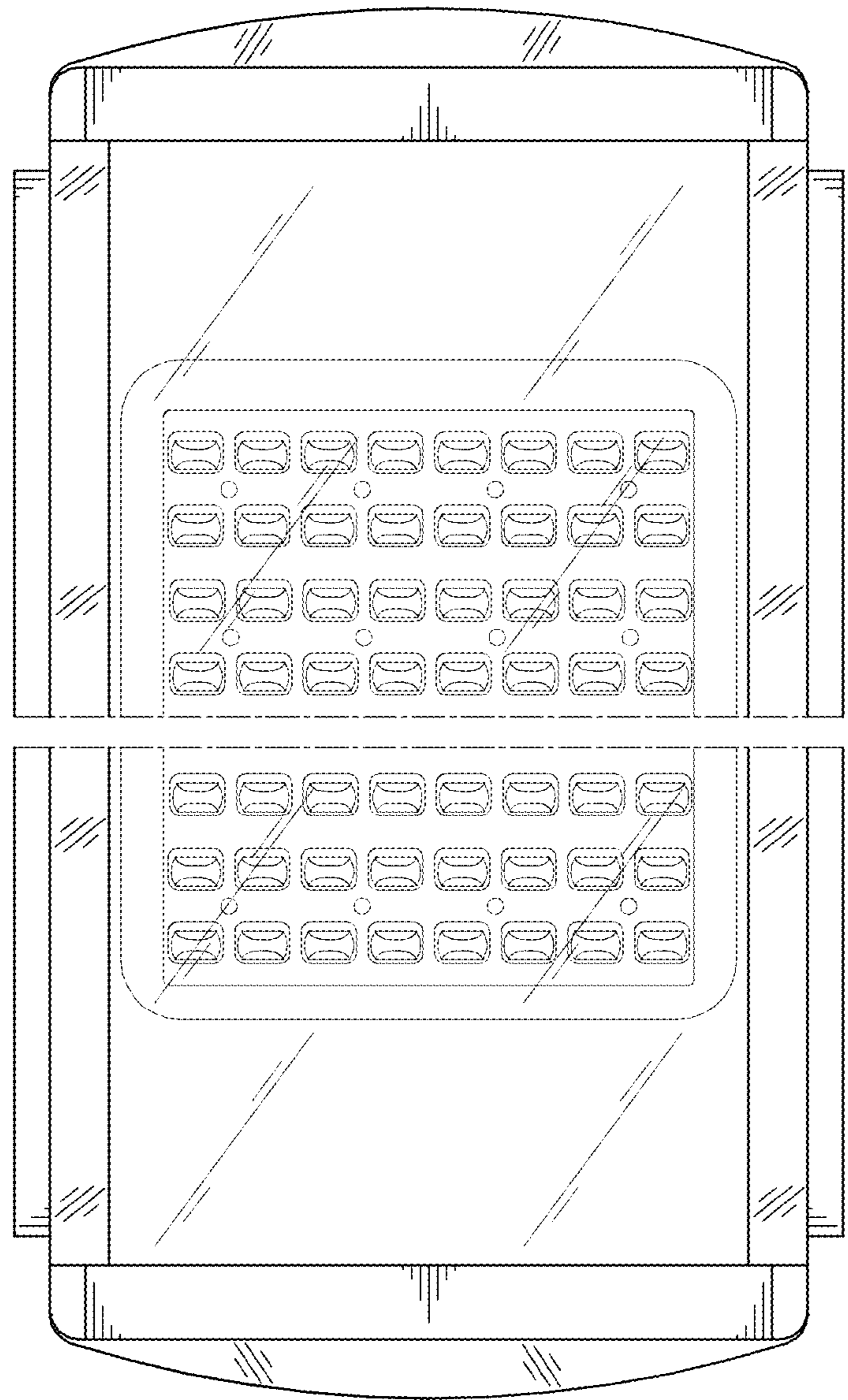


FIG. 7