



US00D692168S

(12) **United States Design Patent**
Harrington, Jr.

(10) **Patent No.:** **US D692,168 S**
(45) **Date of Patent:** **** Oct. 22, 2013**

(54) **LED FOG LAMP**

(71) Applicant: **Robert T. Harrington, Jr.**, Laguna Beach, CA (US)

(72) Inventor: **Robert T. Harrington, Jr.**, Laguna Beach, CA (US)

(73) Assignee: **Myotek Pacific Corp.**, Laguna Beach, CA (US)

(**) Term: **14 Years**

(21) Appl. No.: **29/444,315**

(22) Filed: **Jan. 29, 2013**

(51) **LOC (9) Cl.** **26-06**

(52) **U.S. Cl.**
USPC **D26/28**

(58) **Field of Classification Search**
USPC D26/28-36; 362/459-468, 475-478,
362/485-487

See application file for complete search history.

(56) **References Cited**

U.S. PATENT DOCUMENTS

D470,257 S *	2/2003	Byggmestar	D26/28
D471,658 S *	3/2003	Byggmestar	D26/28
6,945,672 B2	9/2005	Du et al.		
D510,636 S *	10/2005	Yamamoto	D26/28
7,011,438 B2	3/2006	Schuster et al.		
7,223,000 B2	5/2007	Yamamura		
7,237,927 B2	7/2007	Coushaine et al.		
D564,683 S *	3/2008	Roach et al.	D26/28
D572,856 S *	7/2008	Kehl et al.	D26/61
7,441,928 B2	10/2008	Futami		
D585,575 S *	1/2009	Crispin et al.	D26/28
D595,002 S *	6/2009	Han	D26/28

8,011,803 B2 9/2011 Cheung et al.
8,075,166 B2 12/2011 Ohno et al.
2010/0135036 A1 6/2010 Matsuba et al.

OTHER PUBLICATIONS

Philips Lumileds Lighting Company, Luxeon Altilon Automotive Forward Lighting Source, Technical Datasheet DS66, Mar. 20, 2013, 25 pages, available at <http://www.philipslumileds.com/products/luxeon-altilon>.

* cited by examiner

Primary Examiner — Marcus Jackson

(74) *Attorney, Agent, or Firm* — Barnes & Thornburg LLP

(57) **CLAIM**

I claim the ornamental design for an LED fog lamp, as shown and described.

DESCRIPTION

Cross-reference is made to copending U.S. patent application Ser. No. 13/753,145 entitled "LED Fog Lamp", which is assigned to the same assignee as the present application and is filed concurrently herewith.

FIG. 1 is a front perspective view of a design of the LED fog lamp;

FIG. 2 is a front elevation view of the LED fog lamp of FIG. 1;

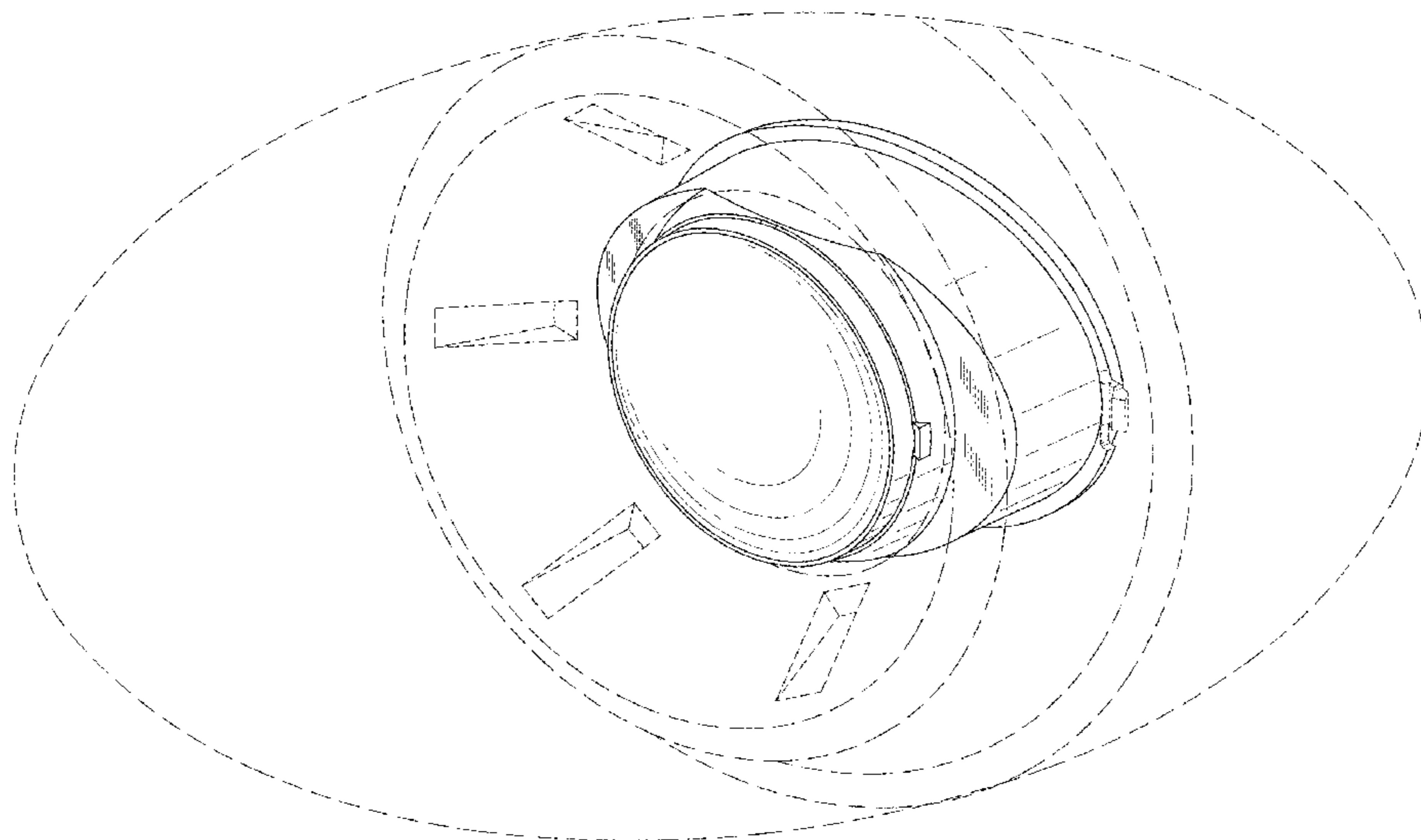
FIG. 3 is a rear elevation view of the LED fog lamp of FIG. 1; FIG. 4 is a first side elevation view of the LED fog lamp of FIG. 1;

FIG. 5 is a second side elevation view of the LED fog lamp of FIG. 1;

FIG. 6 is a top plan view of the LED fog lamp of FIG. 1; and, FIG. 7 is a bottom plan view of the LED fog lamp of FIG. 1.

The features shown in broken lines depict environmental subject matter only and form no part of the claimed design.

1 Claim, 7 Drawing Sheets



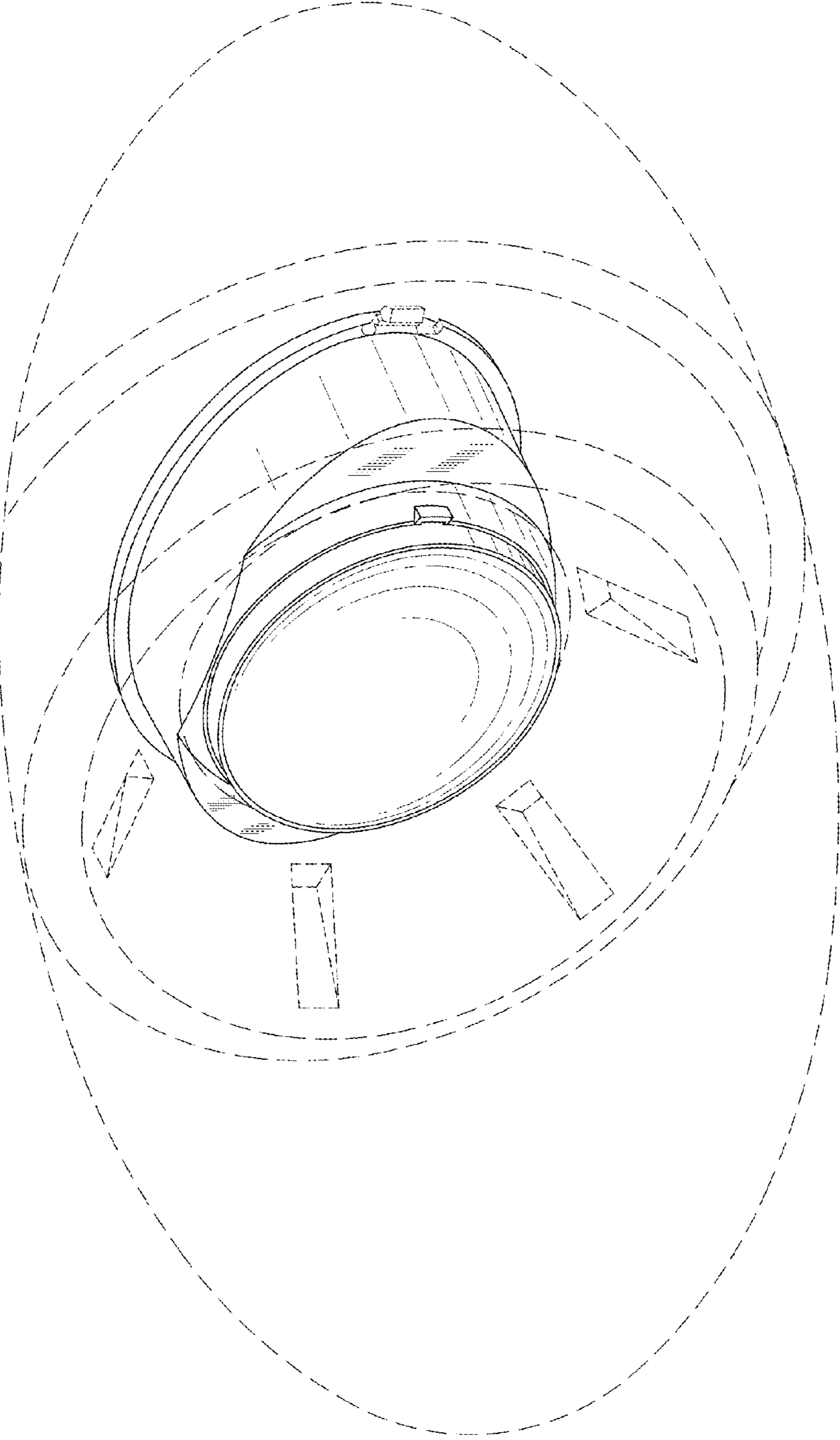


Fig. 1

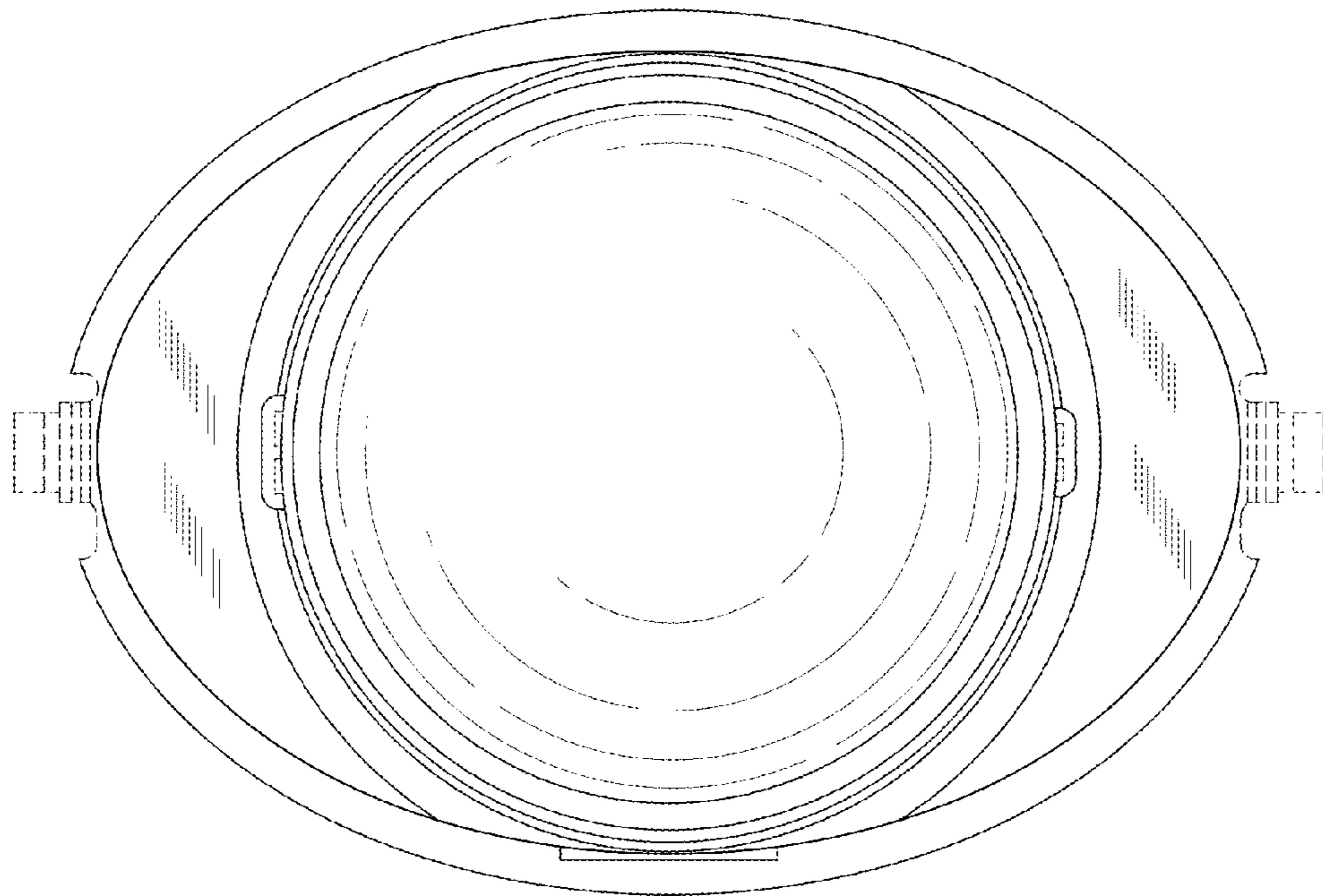


Fig. 2

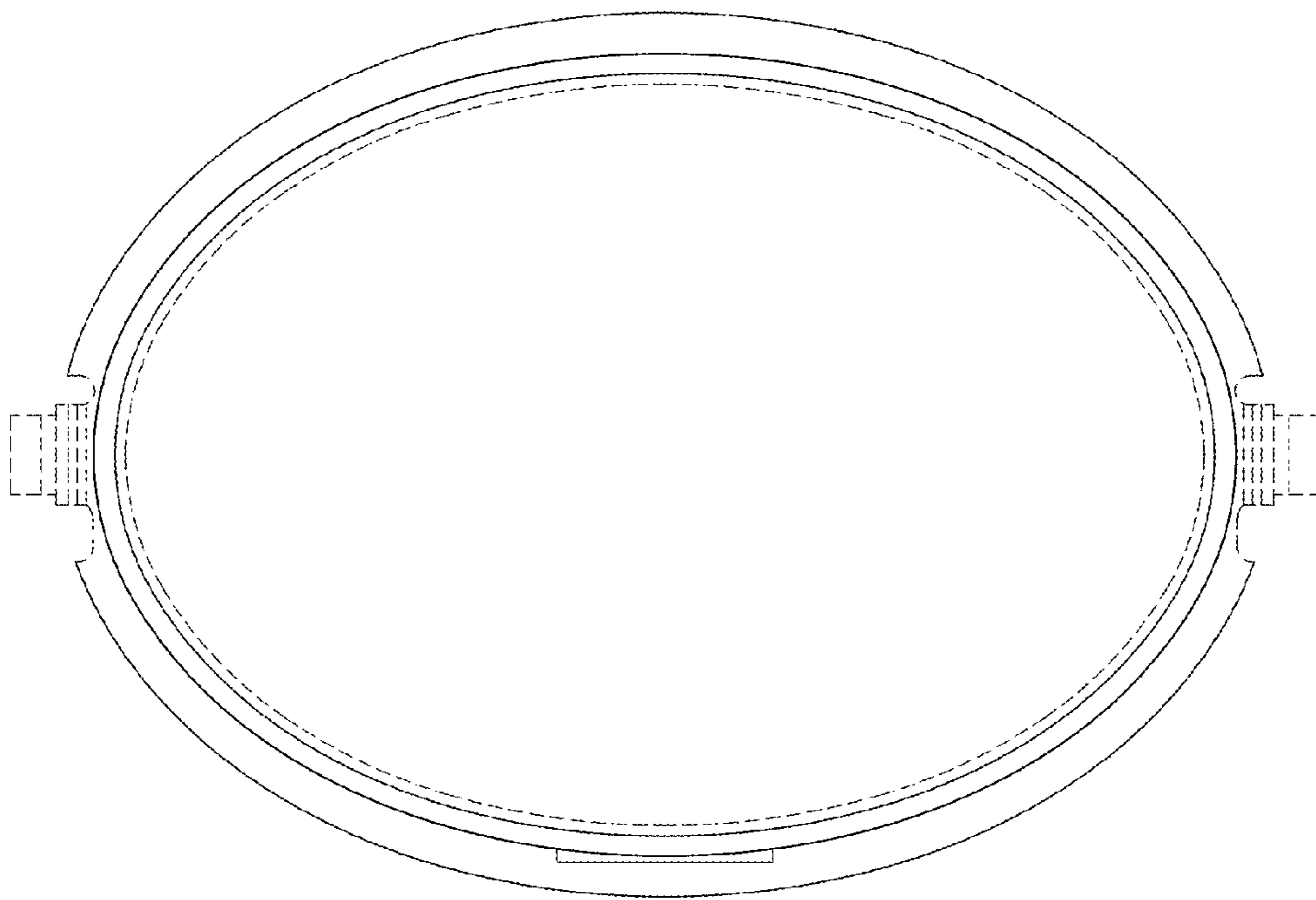


Fig. 3

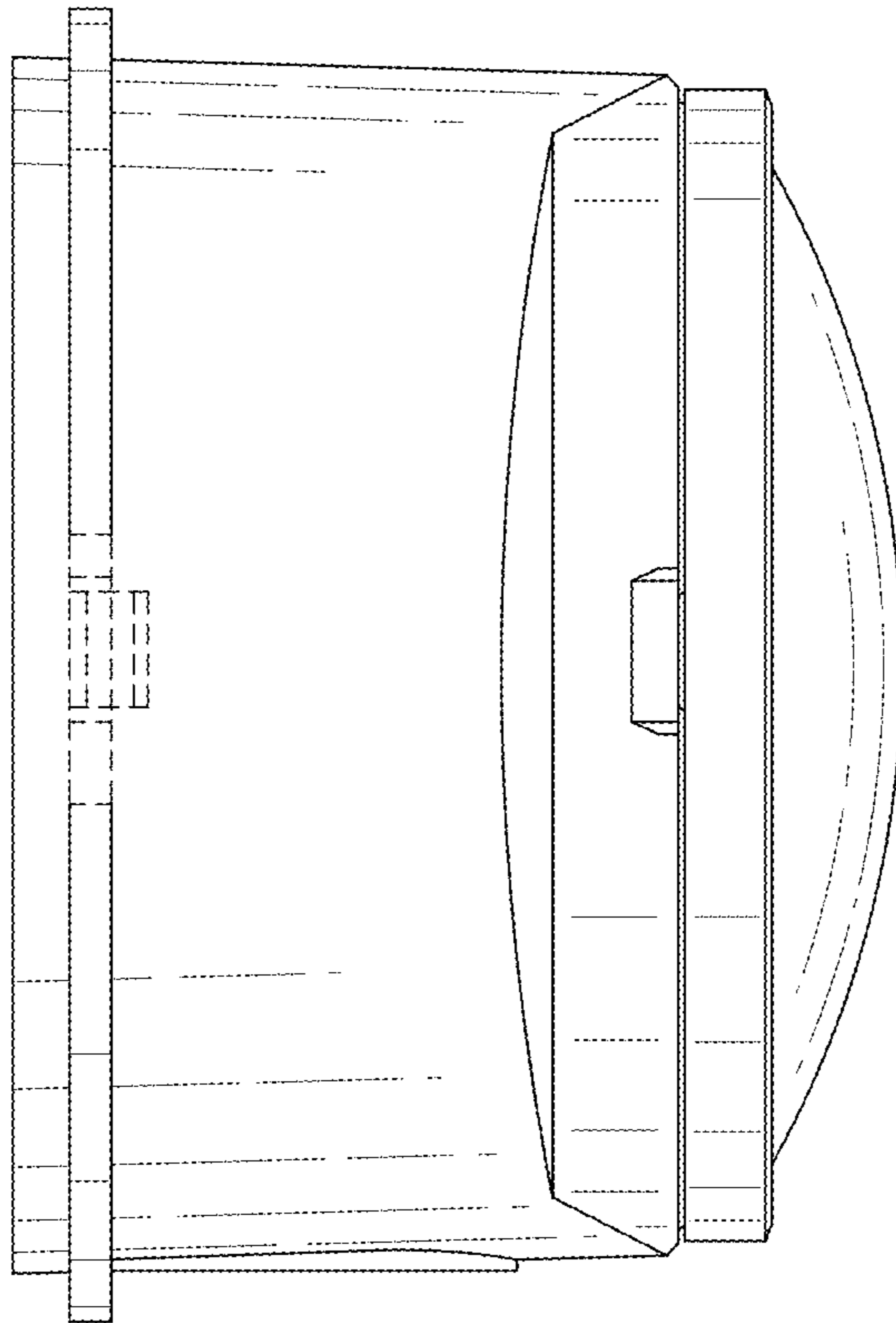


Fig. 4

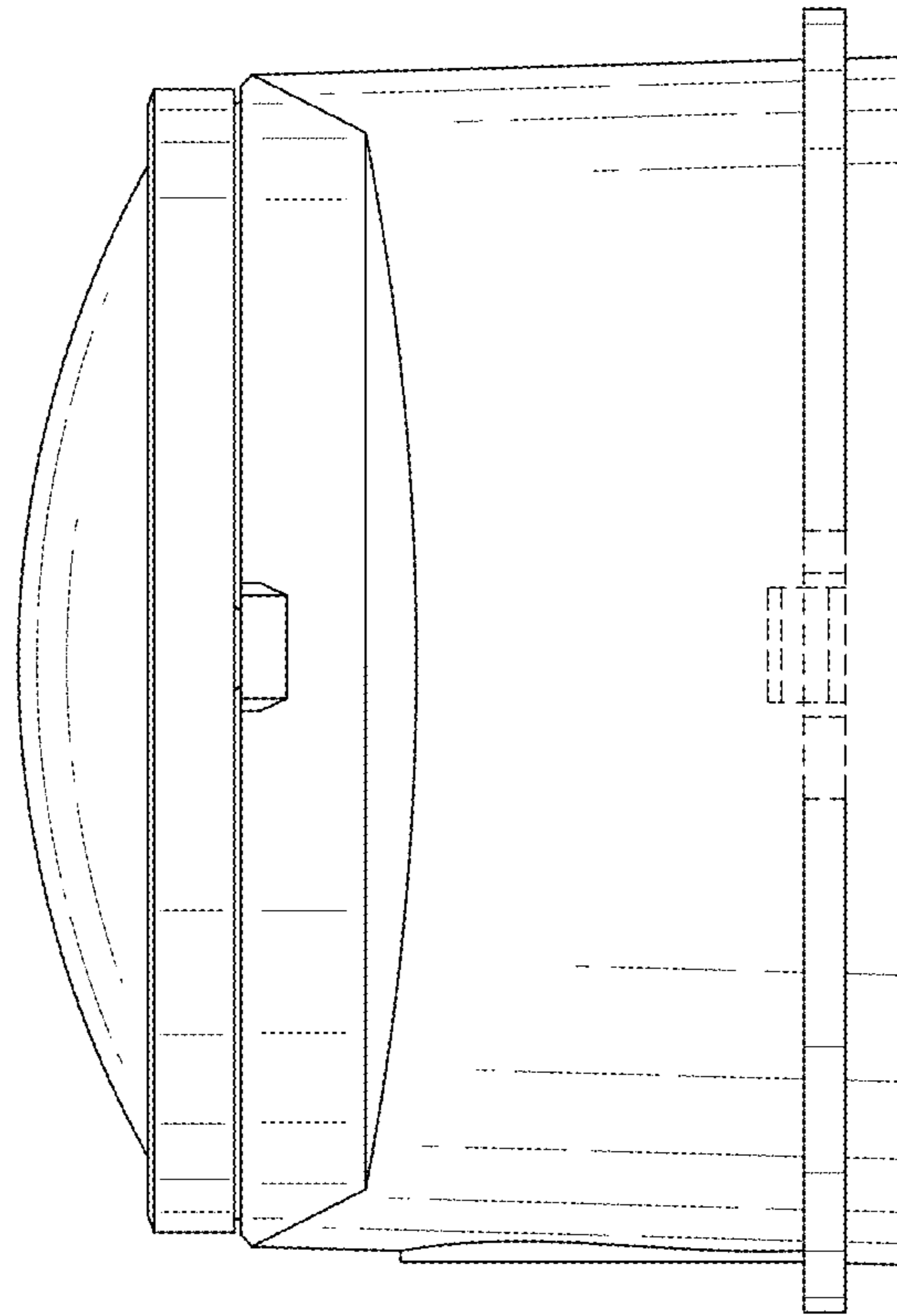


Fig. 5

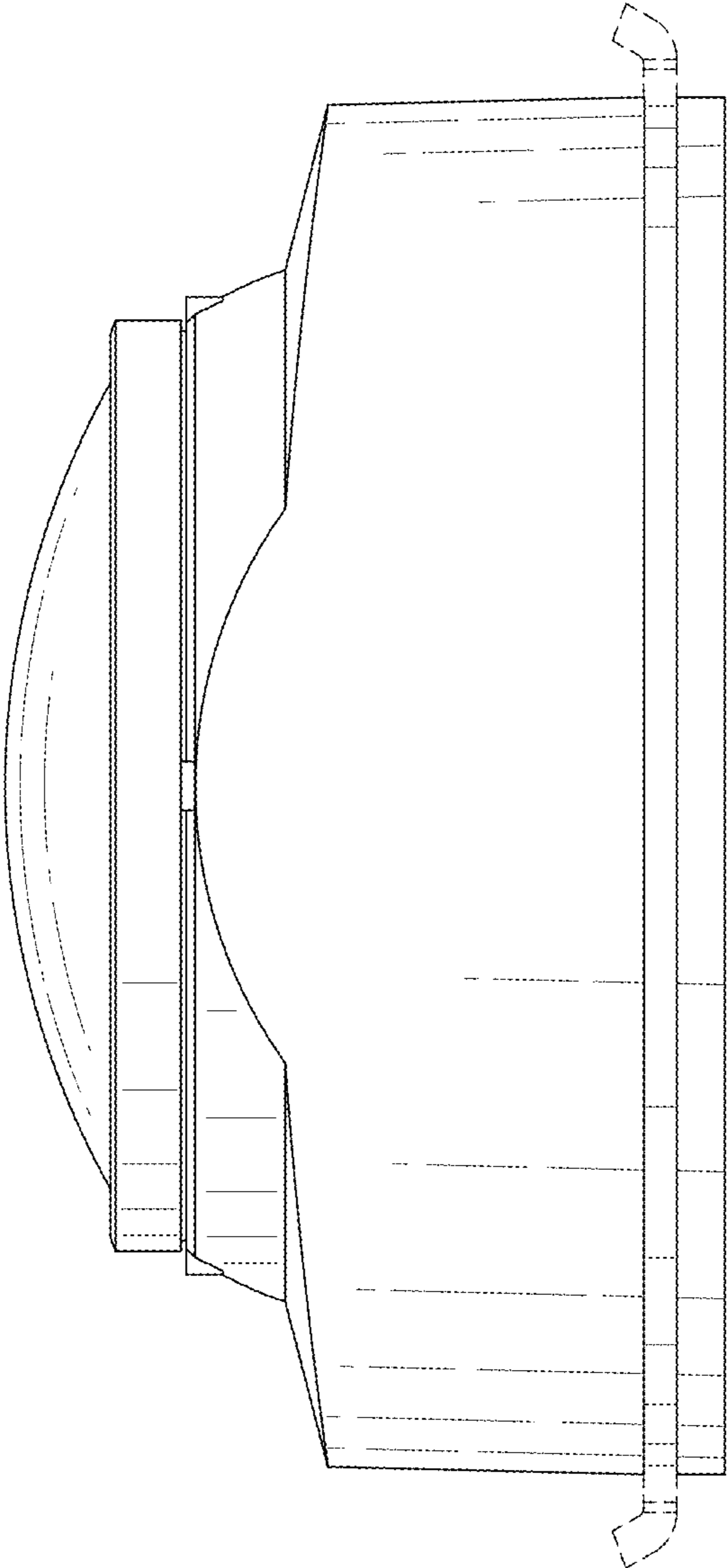


Fig. 6

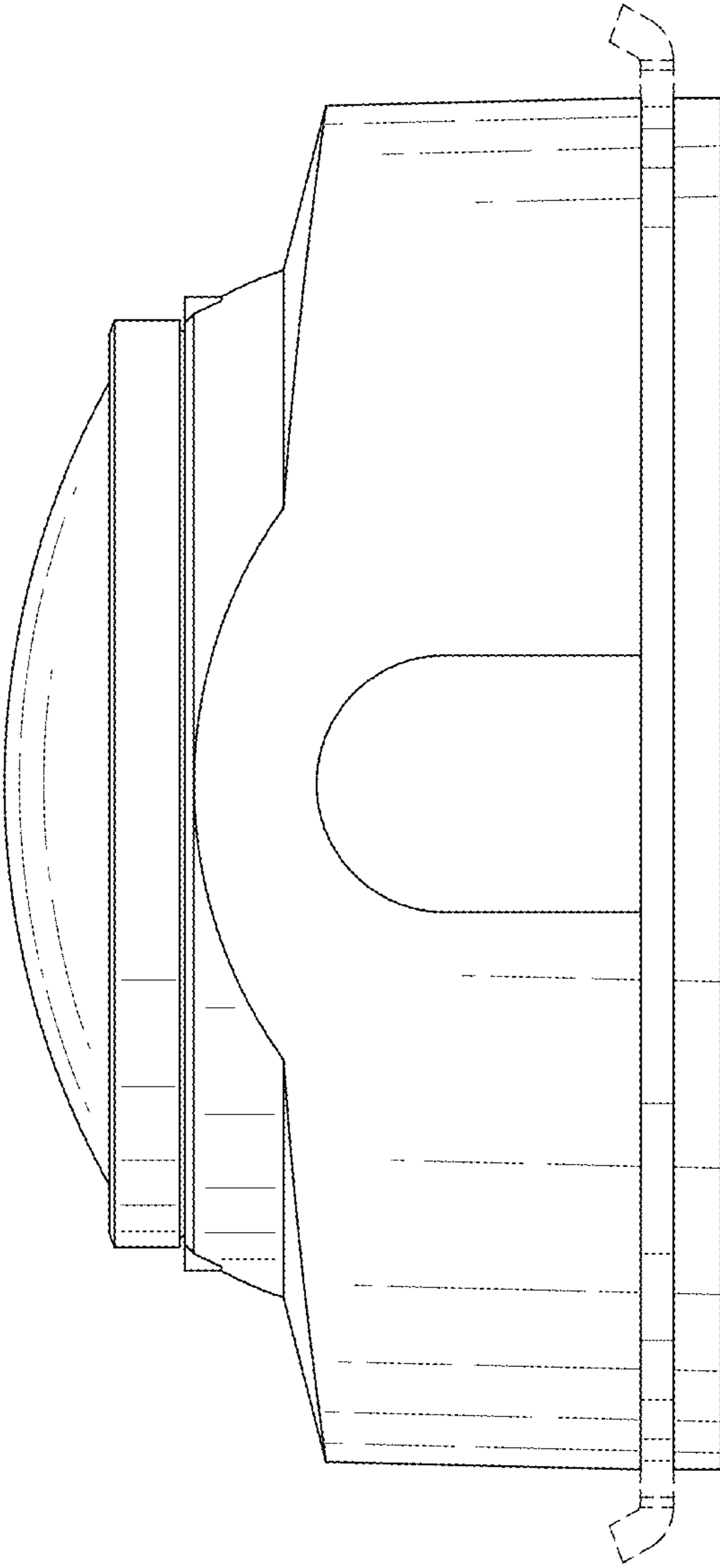


Fig. 7