

US00D692163S

(12) **United States Design Patent**
Göransson et al.

(10) **Patent No.:** **US D692,163 S**

(45) **Date of Patent:** **** Oct. 22, 2013**

(54) **LADDER**

(71) Applicant: **Telesteps AB**, Tranås (SE)

(72) Inventors: **Magnus Göransson**, Tranås (SE); **Jens Bernhardsson**, Tranås (SE)

(73) Assignee: **Telesteps AB**, Tranås (SE)

(**) Term: **14 Years**

(21) Appl. No.: **29/433,721**

(22) Filed: **Oct. 4, 2012**

Related U.S. Application Data

(62) Division of application No. 29/396,334, filed on Jun. 29, 2011, now Pat. No. Des. 677,799.

Foreign Application Priority Data

Dec. 29, 2010 (EP) 001799875
Dec. 29, 2010 (EP) 001799883

(51) **LOC (9) Cl.** **25-04**

(52) **U.S. Cl.**
USPC **D25/64**

(58) **Field of Classification Search**
USPC D25/64; 182/156, 40, 180.1, 202, 201,
182/204

See application file for complete search history.

(56) **References Cited**

U.S. PATENT DOCUMENTS

D365,402 S 12/1995 Jones
D456,525 S * 4/2002 Lear et al. D25/64
D497,007 S * 10/2004 Weber et al. D25/64
D535,757 S 1/2007 Davis
2006/0283664 A1 12/2006 Yao

* cited by examiner

Primary Examiner — Doris Clark

(74) *Attorney, Agent, or Firm* — Merchant & Gould P.C.

(57) **CLAIM**

The ornamental design for ladder, as shown and described.

DESCRIPTION

FIG. 1 is a perspective view of a ladder according to the principles of the present invention.

FIG. 2 is a front view of the ladder of FIG. 1.

FIG. 3 is a side view of the ladder of FIG. 1.

FIG. 4 is a perspective view of the ladder of FIG. 1.

FIG. 5 is a perspective view of the ladder of FIG. 1.

FIG. 6 is a rear view of the ladder of FIG. 1.

FIG. 7 is an enlarged collapsed perspective view of a ladder according to the principles of the present invention.

FIG. 8 is a front view of the ladder of FIG. 7.

FIG. 9 is a rear view of the ladder of FIG. 7.

FIG. 10 is a side view of the ladder of FIG. 7.

FIG. 11 is a top view of the ladder of FIG. 7.

FIG. 12 is a top view of the ladder of FIG. 7; and,

FIG. 13 is a bottom view of the ladder of FIG. 7.

1 Claim, 13 Drawing Sheets

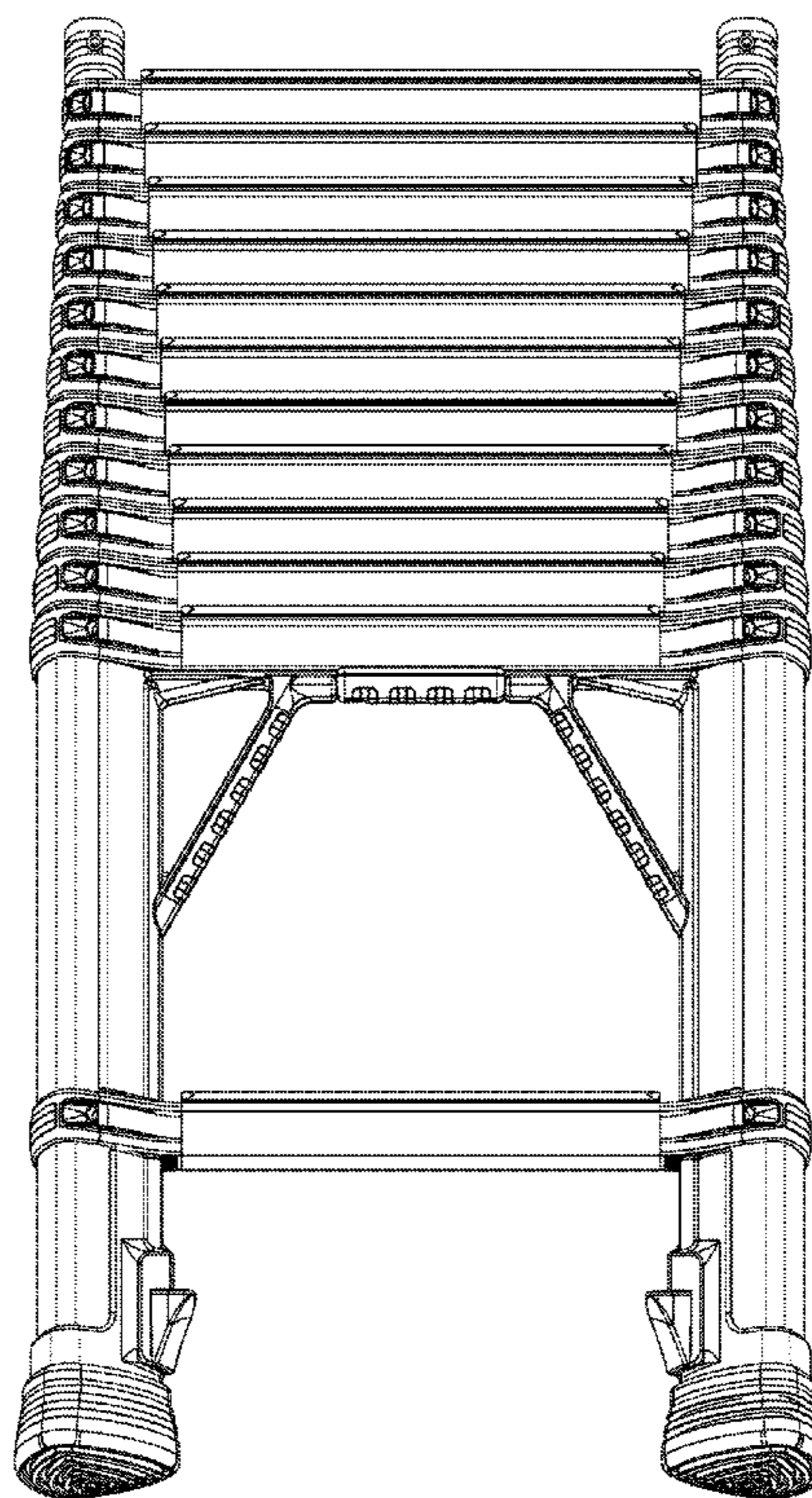


FIG 1

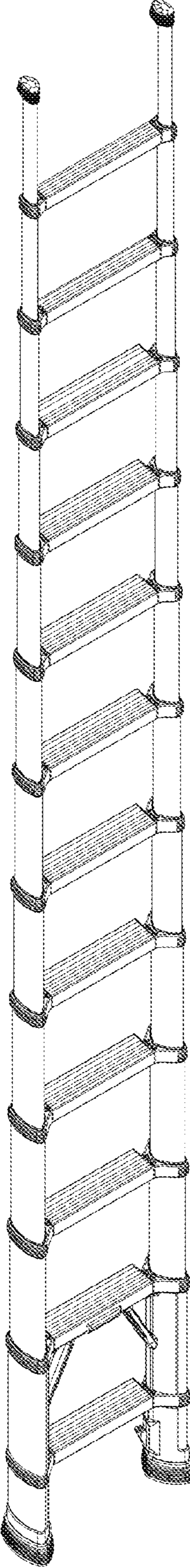


FIG 2

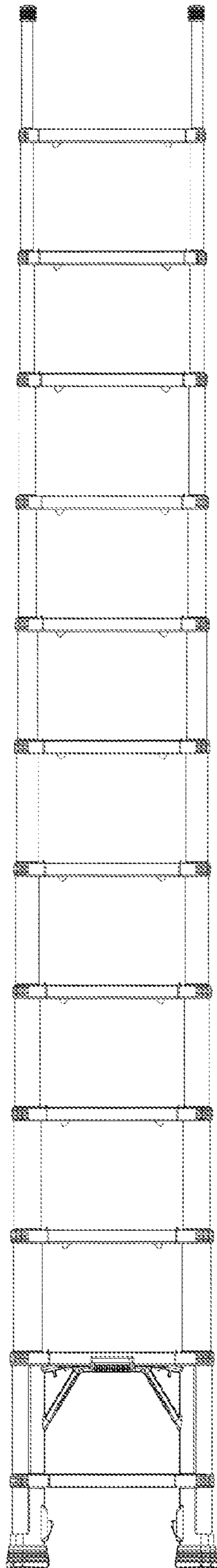


FIG 3

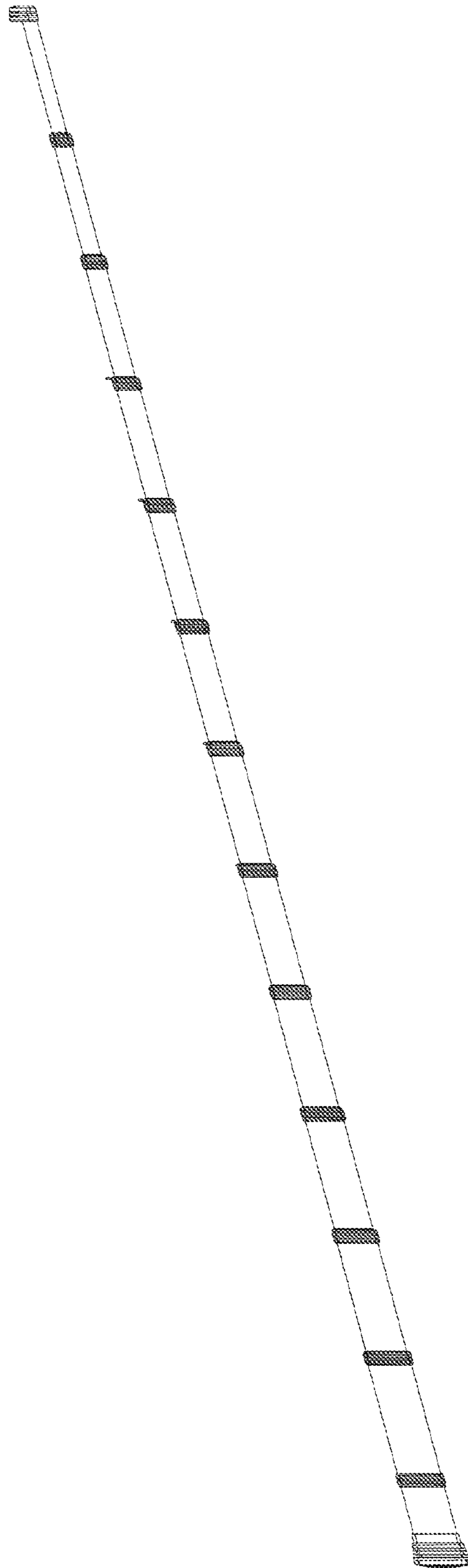


FIG 4

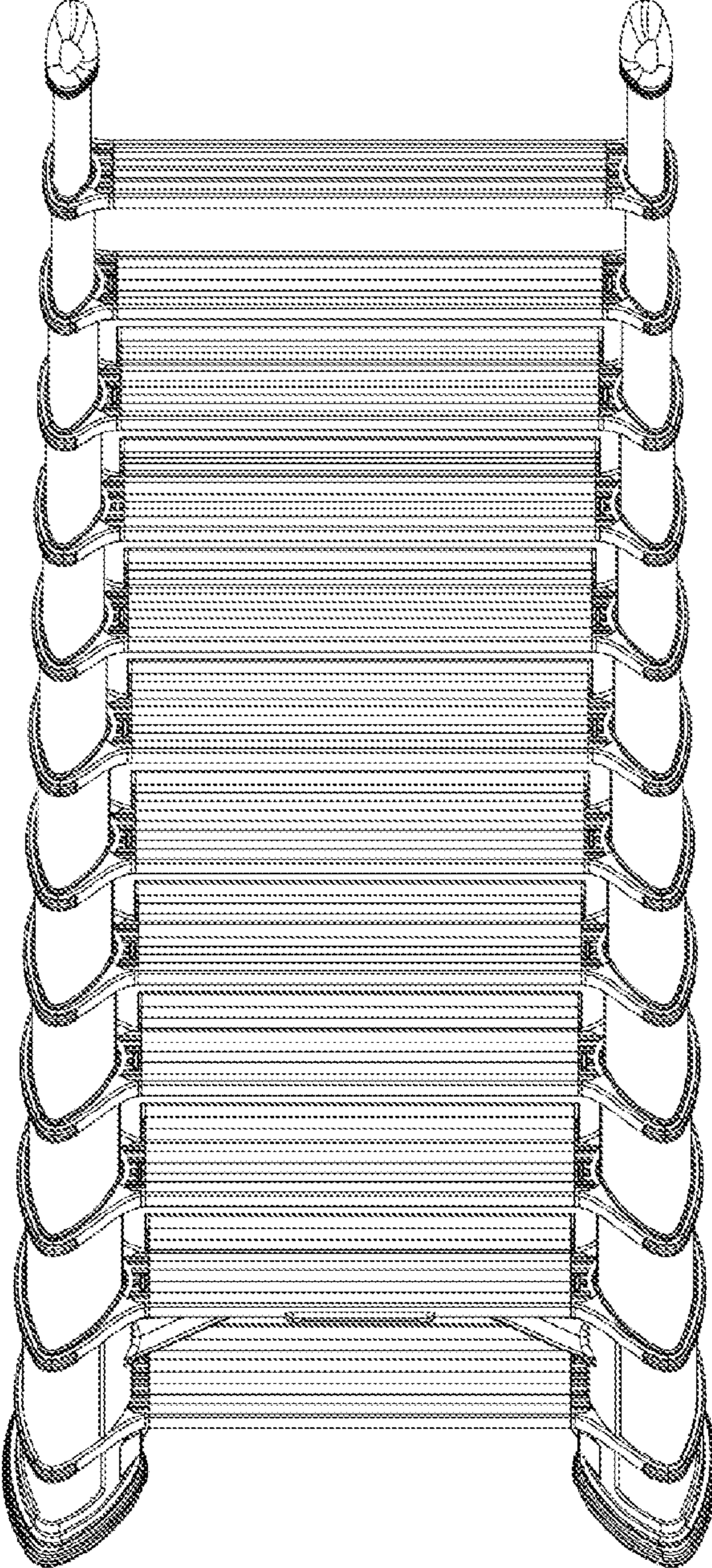


FIG 5

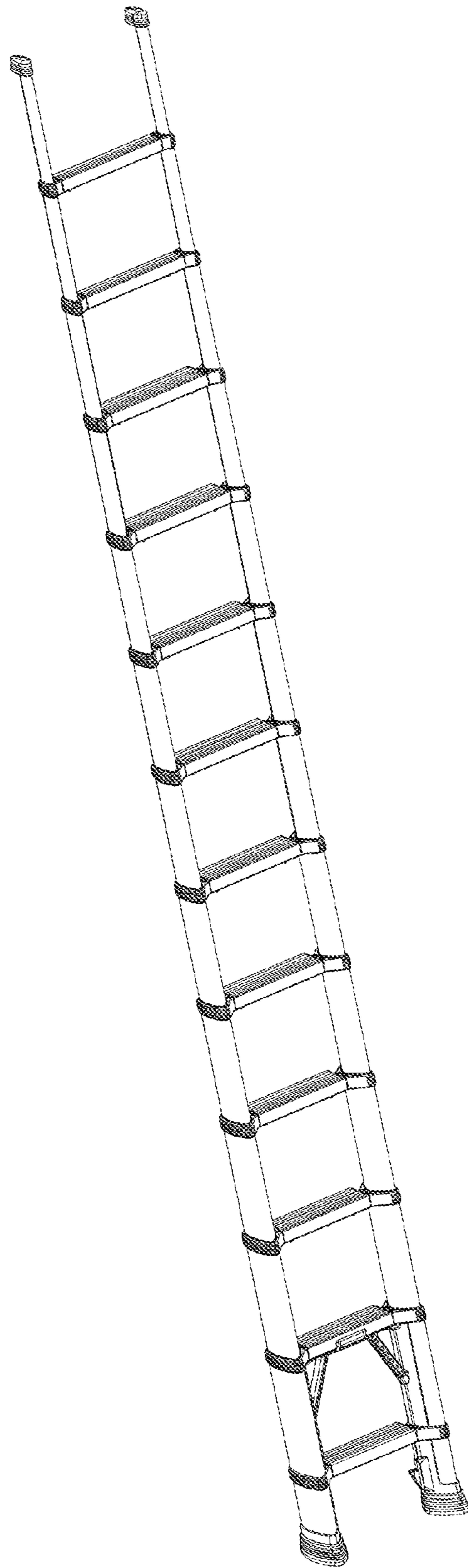


FIG 6

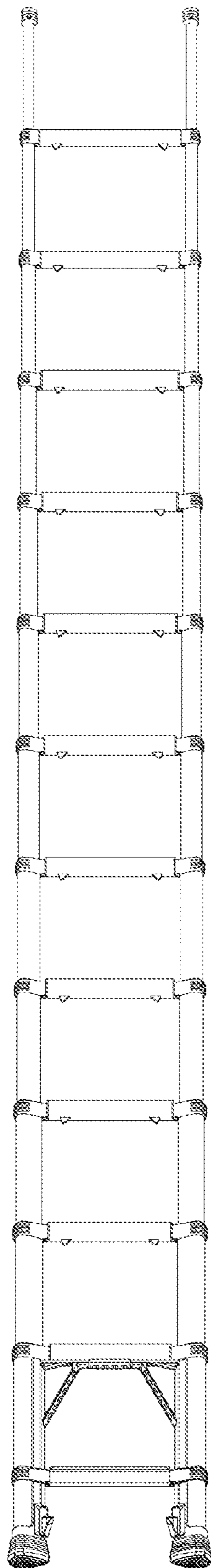


FIG 7

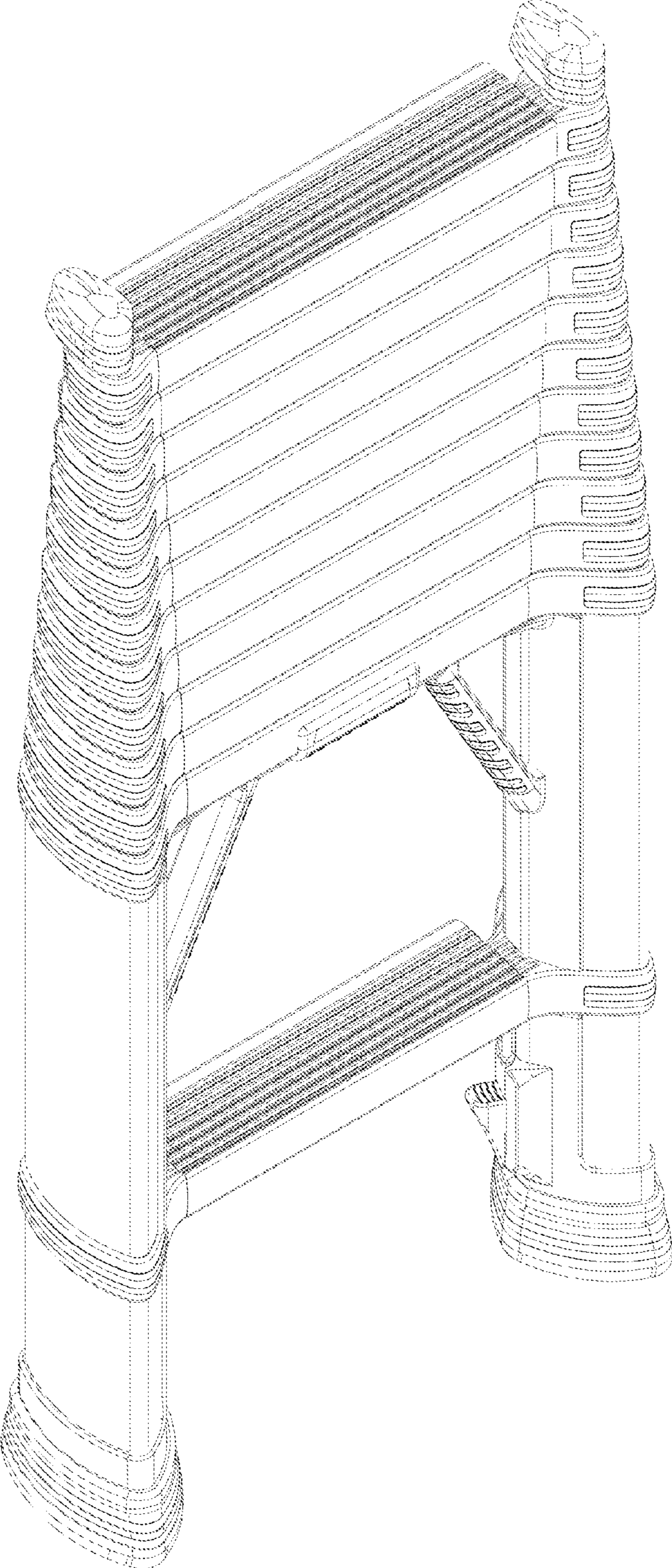


FIG 8

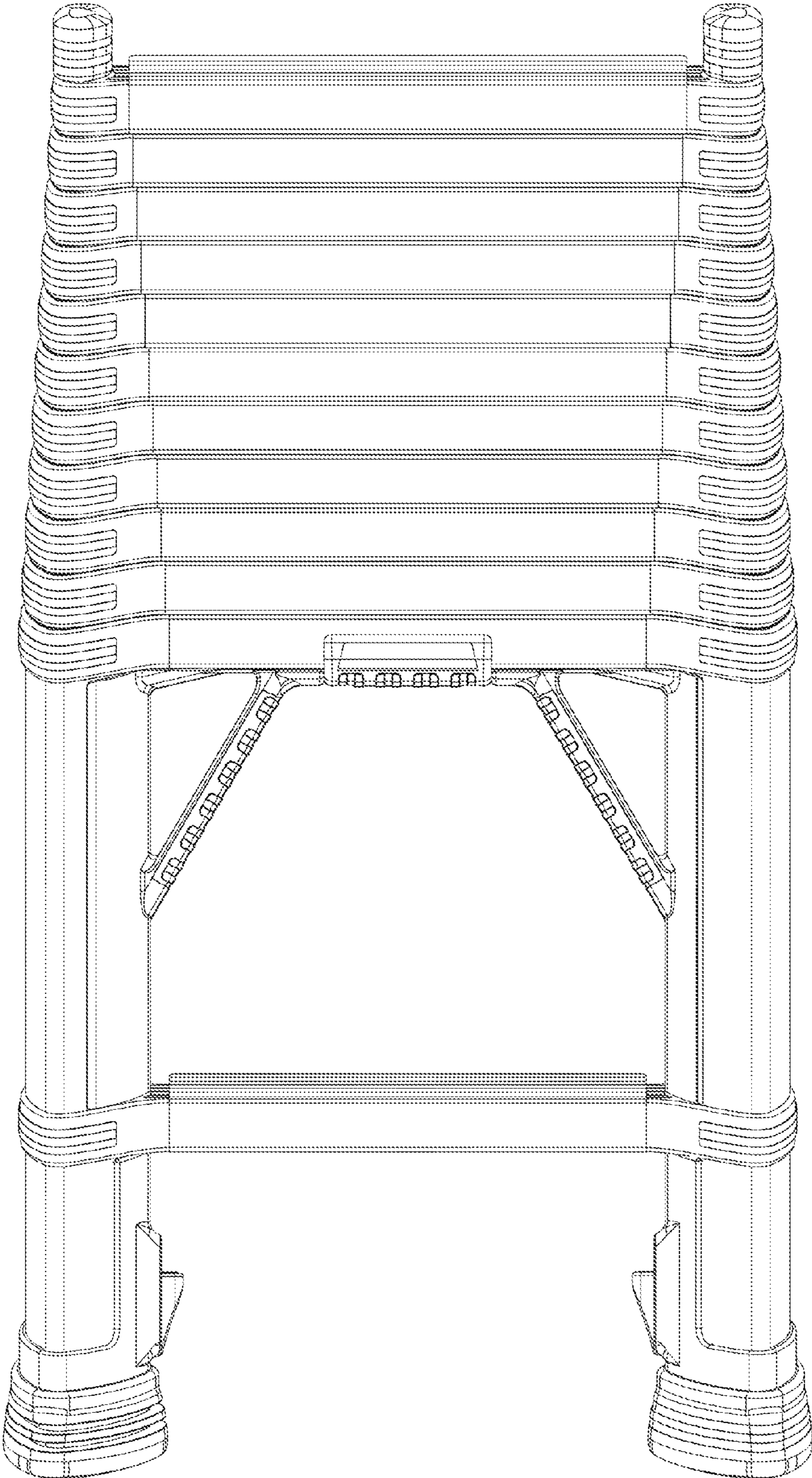


FIG 9

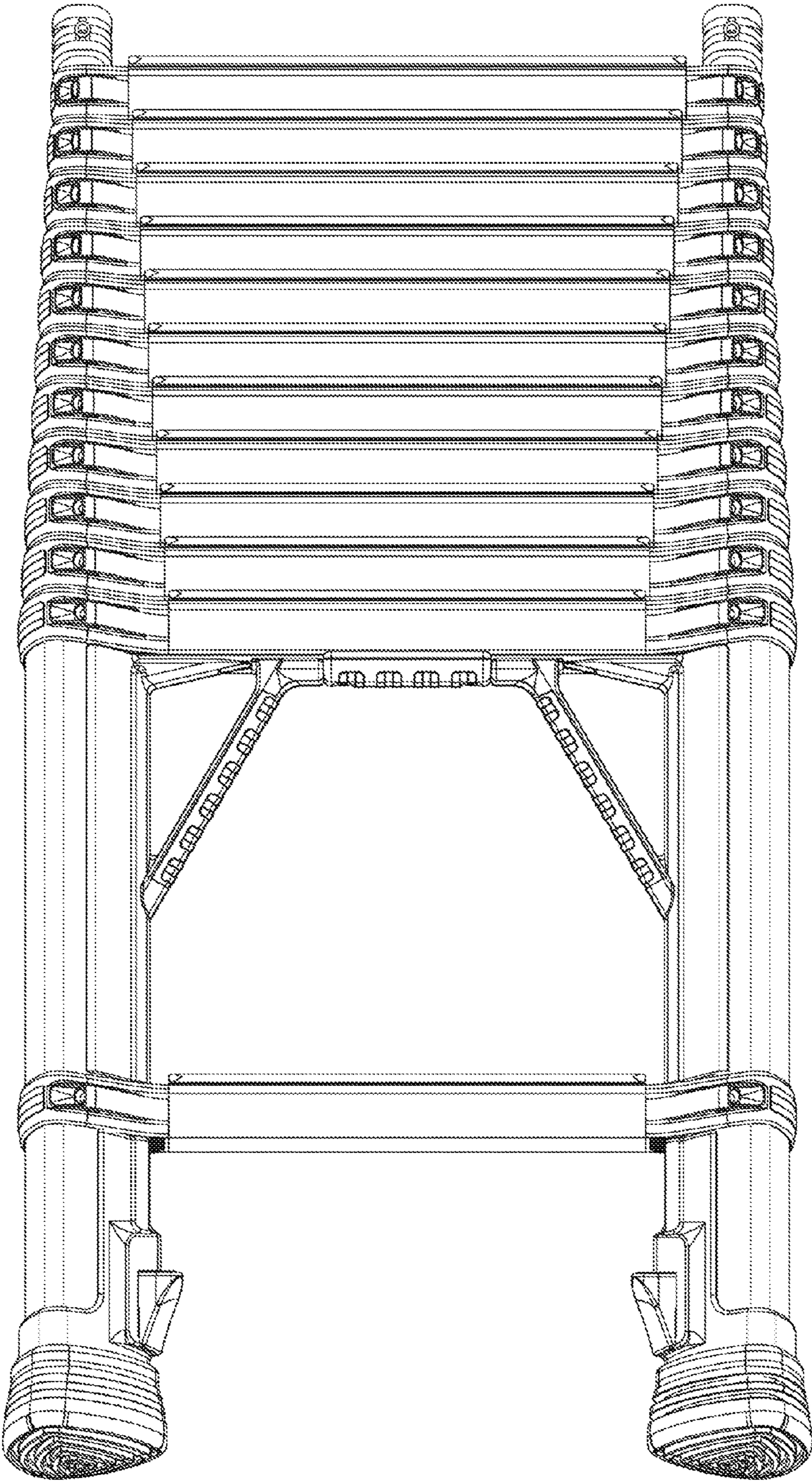


FIG 10

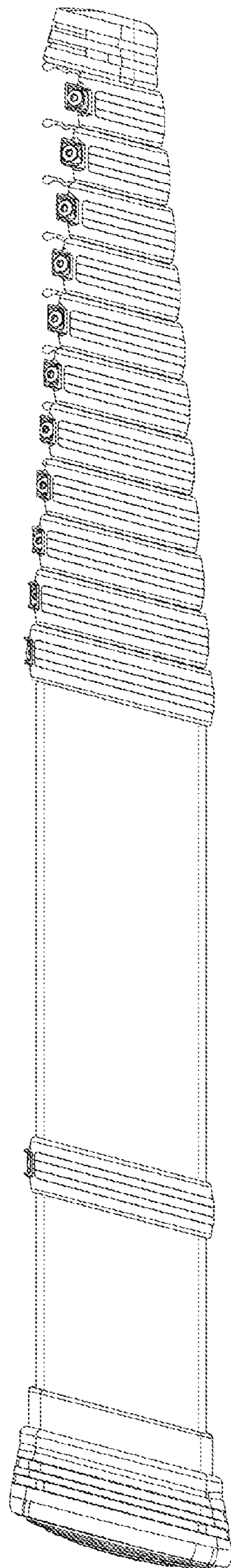


FIG 11

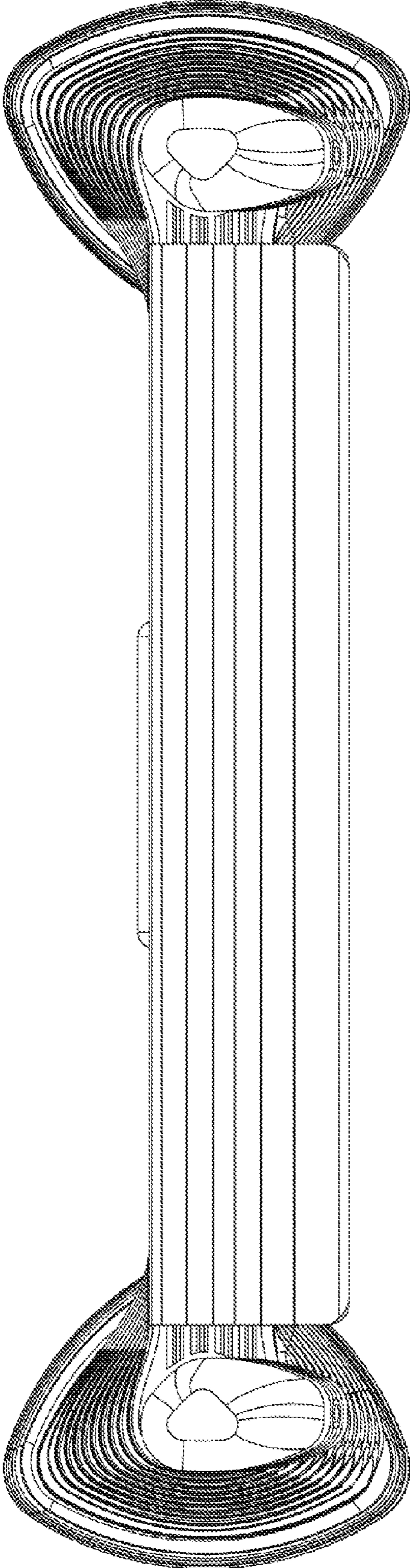


FIG 12

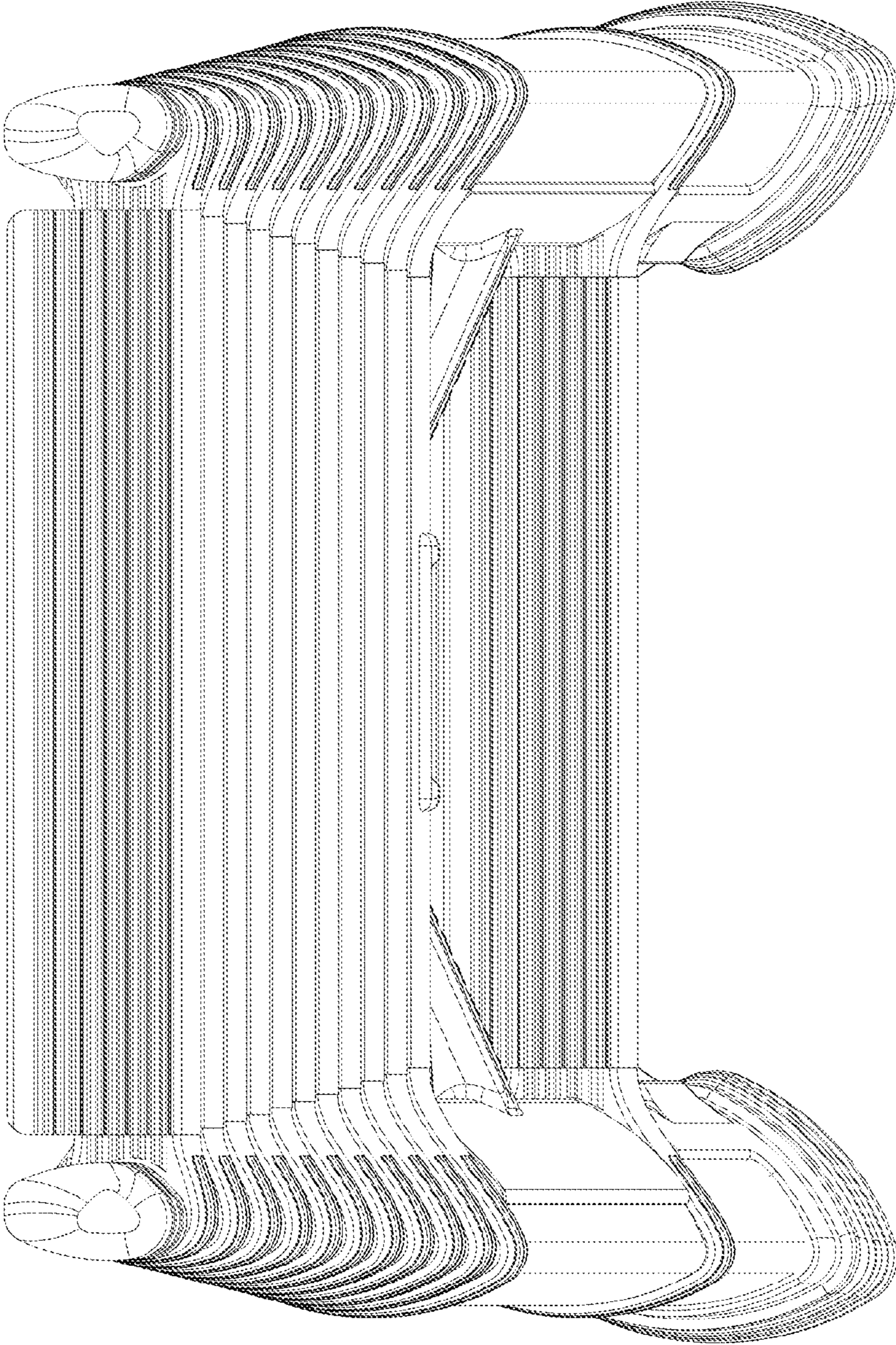


FIG 13

