



US00D692160S

(12) **United States Design Patent**  
**Judson et al.**

(10) **Patent No.:** **US D692,160 S**

(45) **Date of Patent:** **\*\* Oct. 22, 2013**

- (54) **TISSUE SUSPENSION ADAPTOR**
- (71) Applicant: **Paragonix Technologies, Inc.**,  
Cambridge, MA (US)
- (72) Inventors: **Jared Alden Judson**, Medford, MA  
(US); **Lisa Maria Anderson**, Boston,  
MA (US)
- (73) Assignee: **Paragonix Technologies, Inc.**,  
Cambridge, MA (US)
- (\*\*) Term: **14 Years**
- (21) Appl. No.: **29/435,690**
- (22) Filed: **Oct. 26, 2012**
- (51) **LOC (9) Cl.** ..... **24-01**
- (52) **U.S. Cl.**  
USPC ..... **D24/216**
- (58) **Field of Classification Search**  
USPC ..... D24/107, 123, 216, 224, 227, 229,  
D24/230–232; D10/81; 62/78, 457.1, 457.2,  
62/457.9; 435/1.1, 1.2, 1.3, 284.1, 307.1;  
D6/435, 436, 445, 454, 456; 422/500,  
422/547  
See application file for complete search history.

- 5,536,656 A \* 7/1996 Kemp et al. .... 435/371
- 5,843,766 A \* 12/1998 Applegate et al. .... 435/284.1
- 6,046,046 A \* 4/2000 Hassanein ..... 435/284.1
- D458,997 S \* 6/2002 Crawford et al. .... D24/169
- D460,181 S \* 7/2002 Swenson ..... D24/130
- D470,594 S \* 2/2003 Brassil et al. .... D24/216
- D524,497 S \* 7/2006 Bruneau ..... D32/31
- D671,639 S \* 11/2012 Trifilio ..... D24/128
- 2008/0038811 A1 \* 2/2008 Alford et al. .... 435/284.1
- 2012/0309078 A1 \* 12/2012 Anderson et al. .... 435/284.1

\* cited by examiner

*Primary Examiner* — Anhdao Doan

(74) *Attorney, Agent, or Firm* — Thomas C. Meyers; Brown  
Rudnick LLP

(57) **CLAIM**

The ornamental design for a tissue suspension adaptor, as  
shown and described.

**DESCRIPTION**

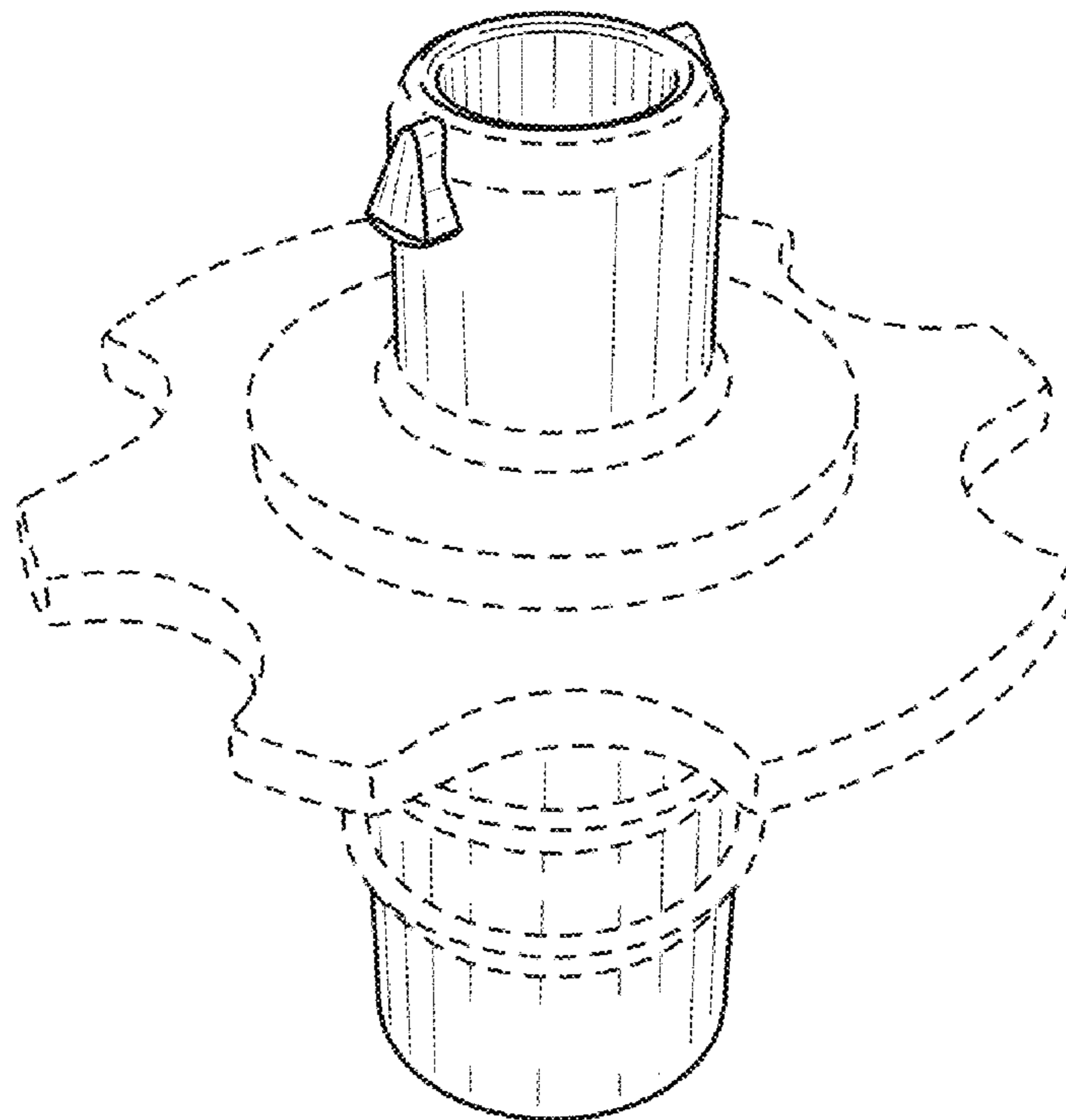
FIG. 1 illustrates a front perspective view of a tissue suspen-  
sion adaptor employing an ornamental design in accordance  
with the present invention;  
FIG. 2 illustrates a front view of the adaptor of FIG. 1,  
wherein the back view is a mirror image thereof;  
FIG. 3 illustrates a right side view of the adaptor of FIG. 1,  
wherein the left side view is a mirror image thereof;  
FIG. 4 illustrates a top view of the adaptor of FIG. 1; and,  
FIG. 5 illustrates a bottom view of the adaptor of FIG. 1.  
The broken lines are included for the purpose of illustrating  
unclaimed portions of the tissue suspension adaptor and form  
no part of the claimed design.

(56) **References Cited**

U.S. PATENT DOCUMENTS

- D243,070 S \* 1/1977 Burgheimer et al. .... D9/436
- D358,469 S \* 5/1995 Mongeon ..... D24/129

**1 Claim, 1 Drawing Sheet**



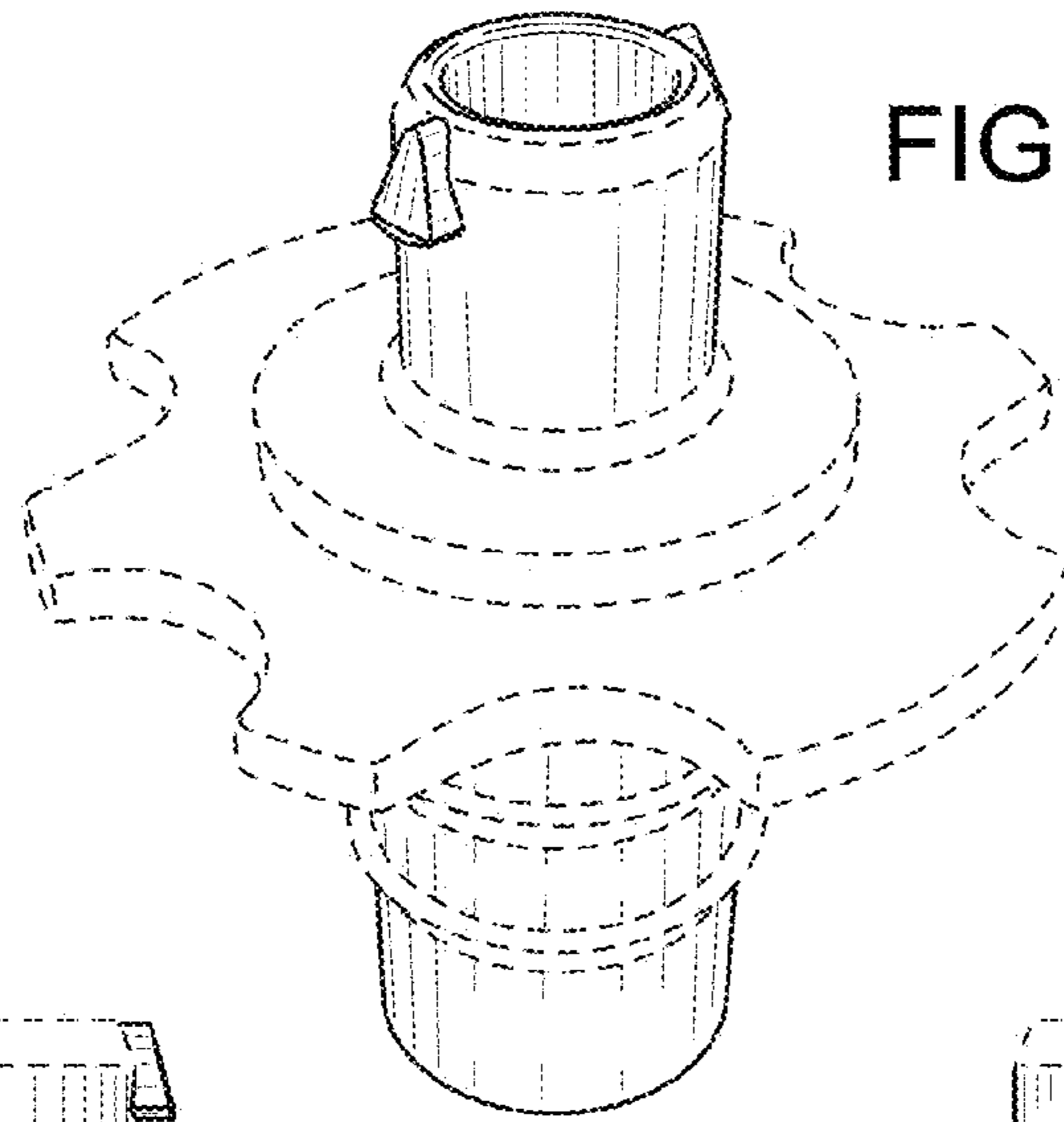


FIG. 1

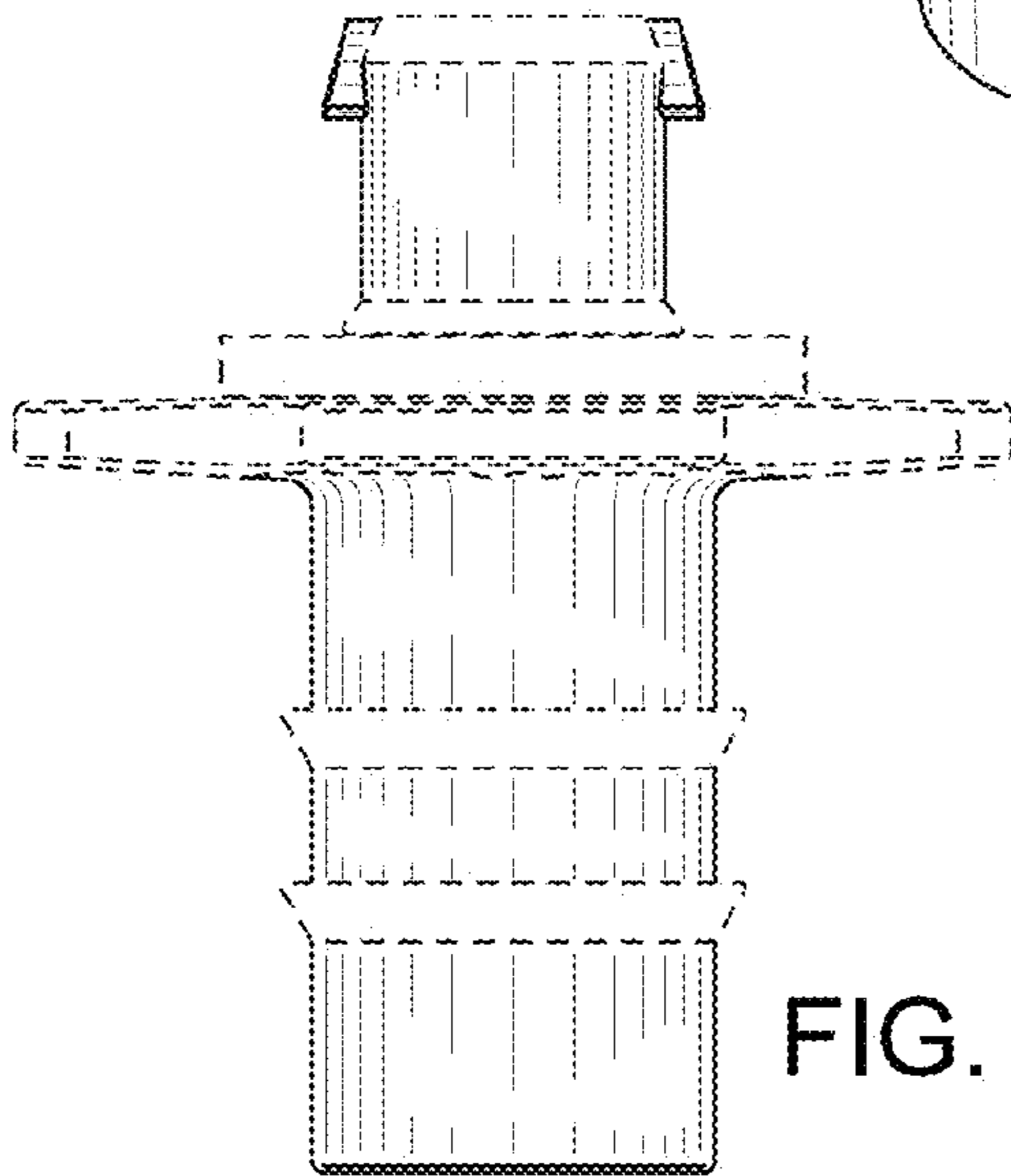


FIG. 2

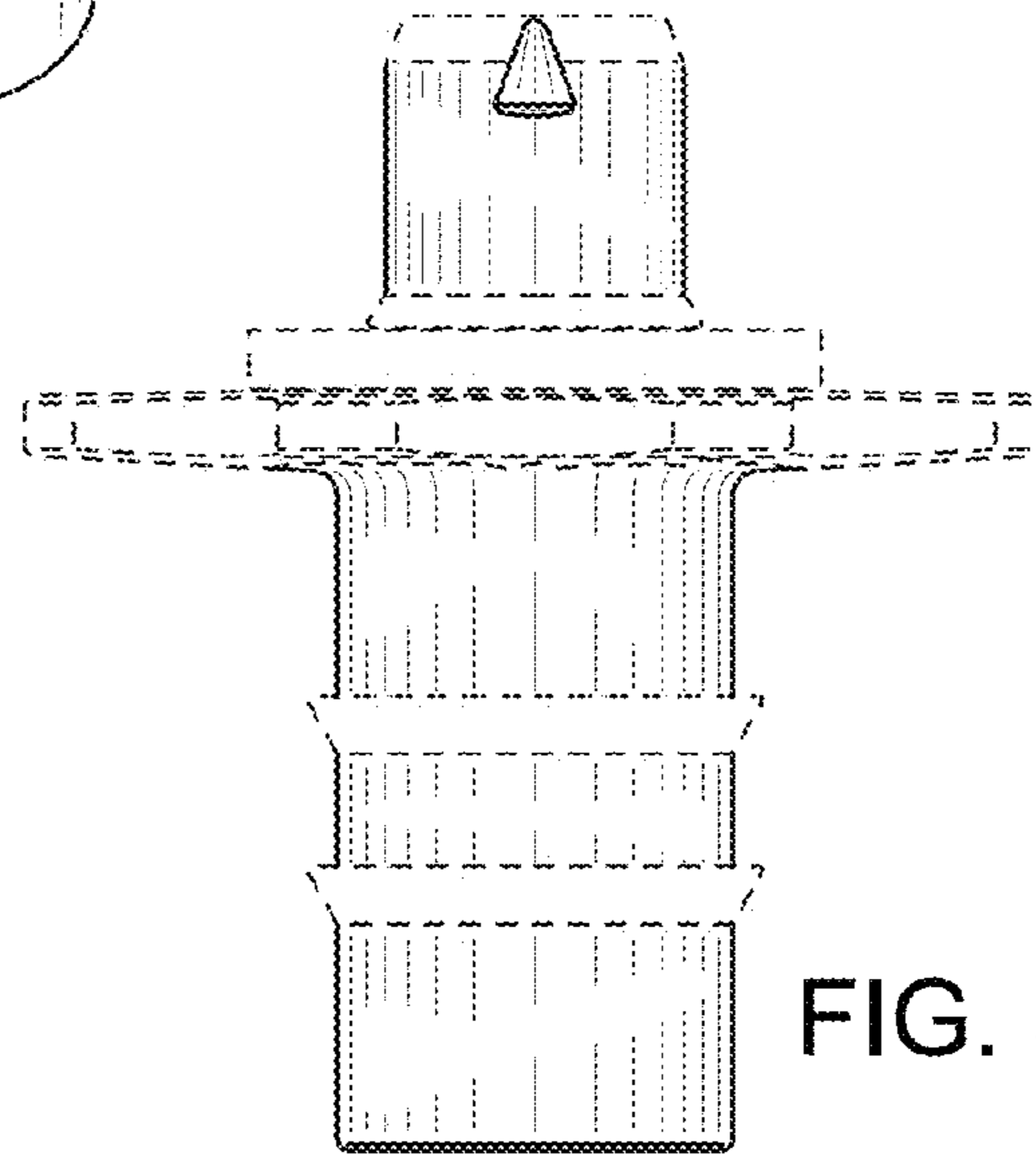


FIG. 3

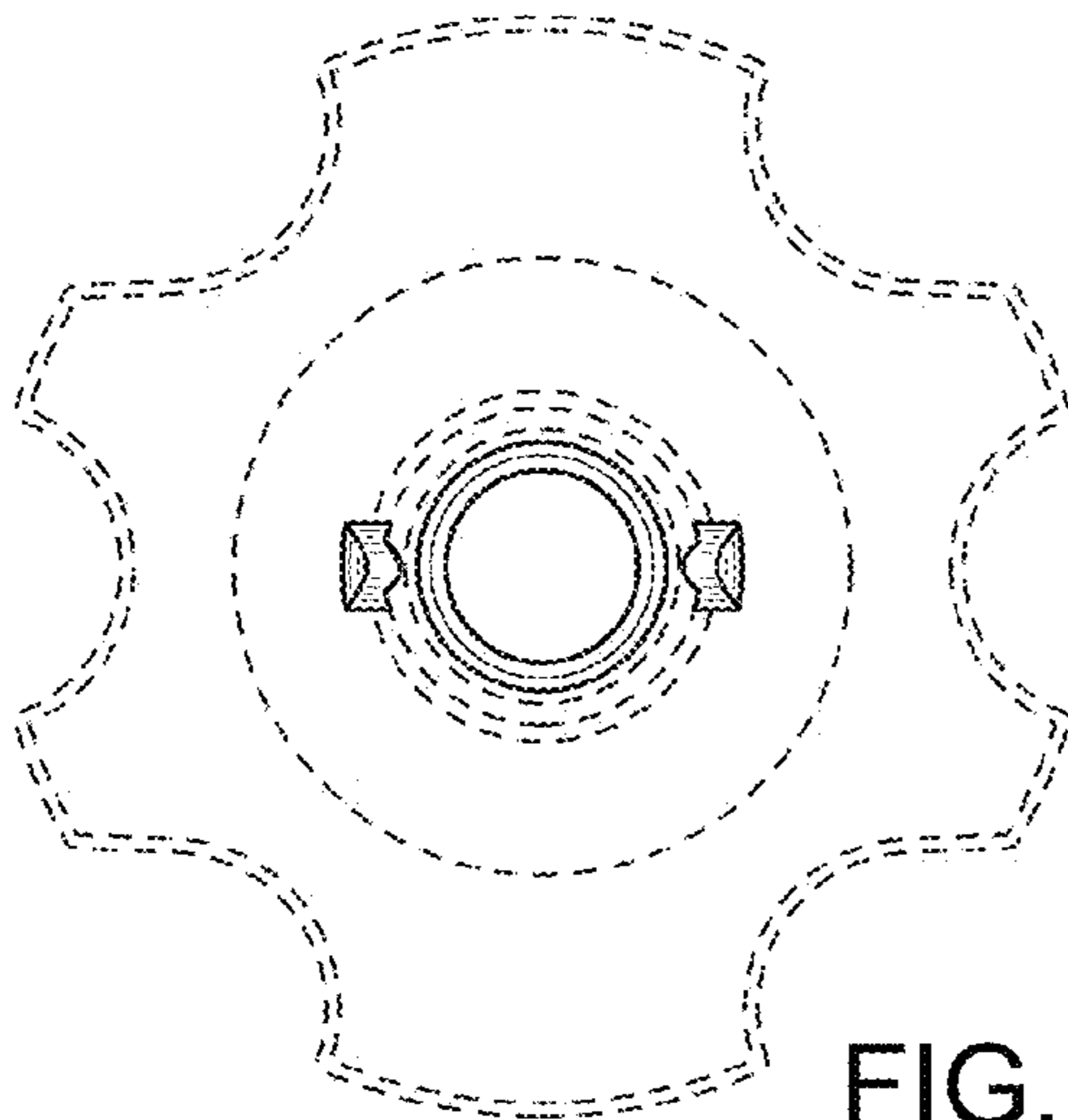


FIG. 4

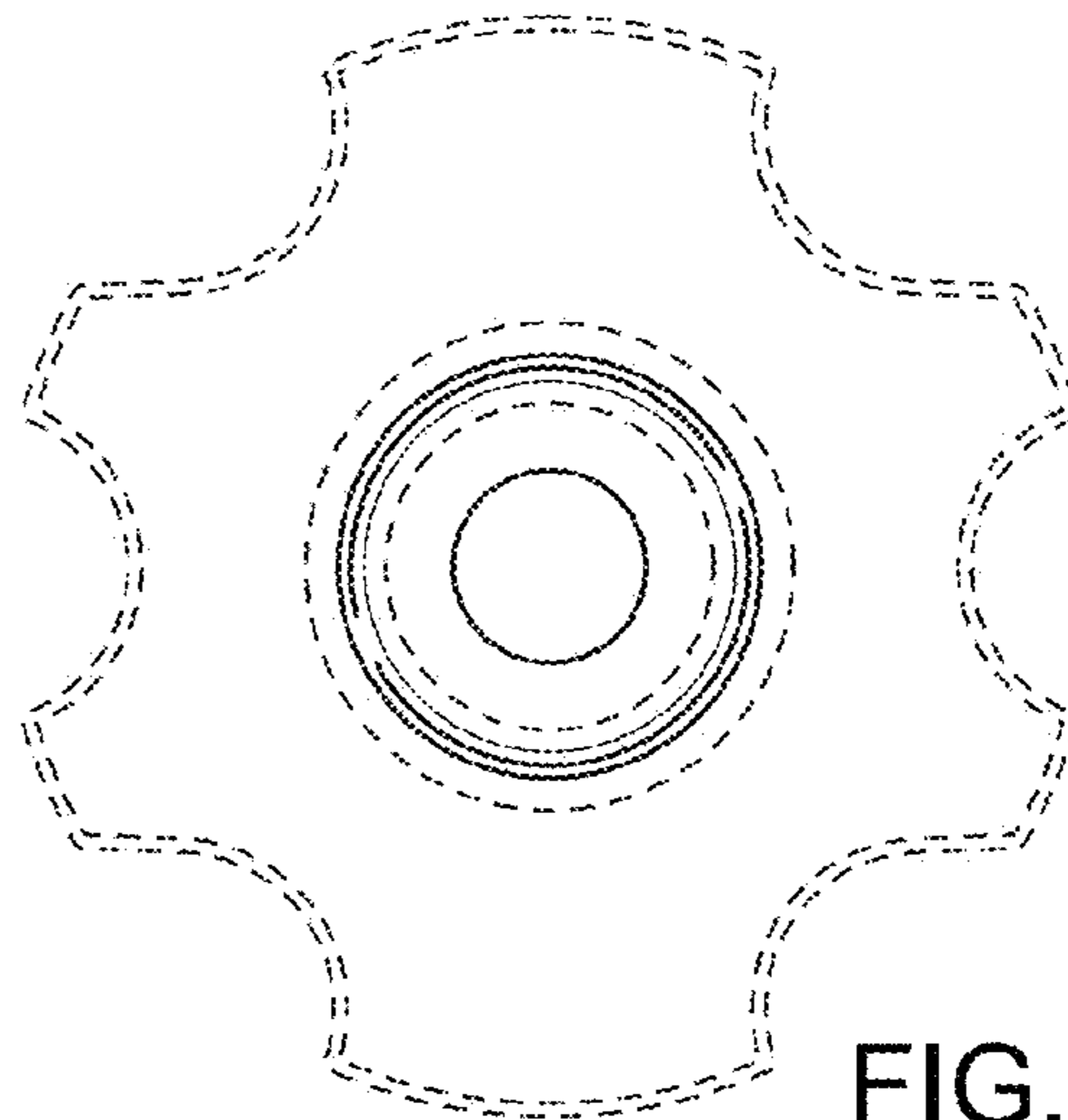


FIG. 5