



US00D692159S

(12) **United States Design Patent**  
**Judson et al.**

(10) **Patent No.:** **US D692,159 S**  
(45) **Date of Patent:** **\*\* Oct. 22, 2013**

(54) **LID FOR A TISSUE TRANSPORT SYSTEM**

(71) Applicant: **Paragonix Technologies, Inc.**,  
Cambridge, MA (US)

(72) Inventors: **Jared Alden Judson**, Medford, MA  
(US); **Lisa Maria Anderson**, Boston,  
MA (US)

(73) Assignee: **Paragonix Technologies, Inc.**,  
Cambridge, MA (US)

(\*\*) Term: **14 Years**

(21) Appl. No.: **29/435,688**

(22) Filed: **Oct. 26, 2012**

(51) **LOC (9) Cl.** ..... **24-01**

(52) **U.S. Cl.**  
USPC ..... **D24/216**

(58) **Field of Classification Search**  
USPC ..... D24/107, 123, 216, 224, 227, 229,  
D24/230–232; D10/81; 62/78, 457.1, 457.2,  
62/457.9; 435/1.1, 1.2, 1.3, 284.1, 307.1;  
D6/435, 436, 445, 454, 456; 422/500,  
422/547

See application file for complete search history.

(56) **References Cited**

**U.S. PATENT DOCUMENTS**

D286,026 S \* 10/1986 Rayner ..... D9/435  
D327,648 S \* 7/1992 Cane ..... D9/436  
5,321,955 A \* 6/1994 Leonard ..... 62/78  
D352,209 S \* 11/1994 Cousins et al. .... D7/612

D398,997 S \* 9/1998 Taylor ..... D23/499  
D415,027 S \* 10/1999 Blazar ..... D9/447  
6,185,942 B1 \* 2/2001 Werrbach et al. .... 62/62  
D465,350 S \* 11/2002 Byrne ..... D6/407  
D470,594 S \* 2/2003 Brassil et al. .... D24/216  
D481,801 S \* 11/2003 Whitley ..... D24/224  
D560,284 S \* 1/2008 Nagakubo et al. .... D24/232  
D655,162 S \* 3/2012 Daniel ..... D9/447  
2010/0015592 A1 \* 1/2010 Doorschodt ..... 435/1.2

\* cited by examiner

*Primary Examiner* — Anhdao Doan

(74) *Attorney, Agent, or Firm* — Thomas C. Meyers; Brown  
Rudnick LLP

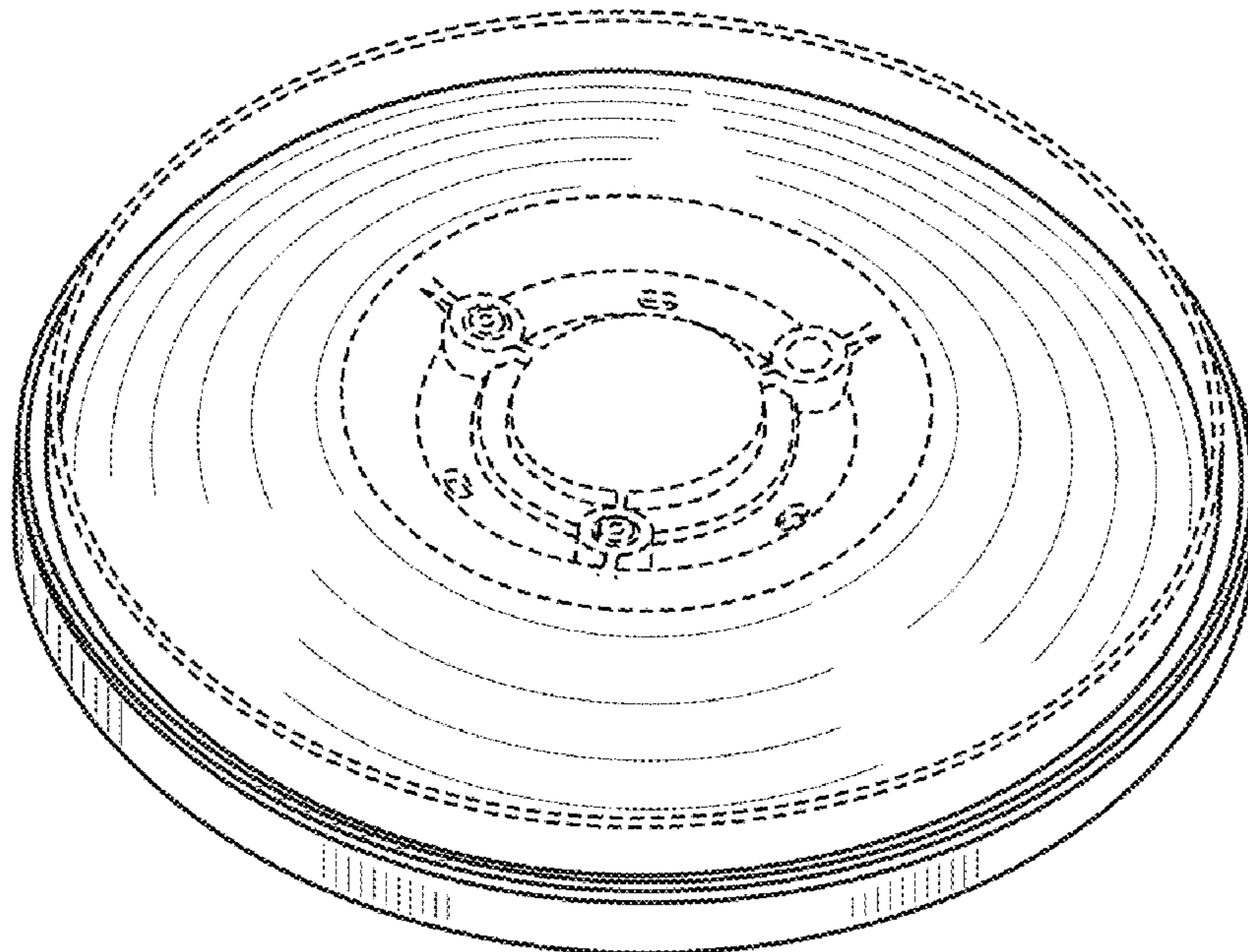
(57) **CLAIM**

The ornamental design for a lid for a tissue transport system,  
as shown and described.

**DESCRIPTION**

FIG. 1 illustrates a top perspective view of a lid for a tissue  
transport system employing an ornamental design in accor-  
dance with the present invention;  
FIG. 2 illustrates a bottom perspective view of the lid of FIG.  
1;  
FIG. 3 illustrates a top view of the lid of FIG. 1;  
FIG. 4 illustrates a side view of the lid of FIG. 1, wherein  
another side view is a mirror image thereof; and,  
FIG. 5 illustrates a bottom view of the lid of FIG. 1.  
The broken lines are included for the purpose of illustrating  
unclaimed portions of the lid for a tissue transport system and  
form no part of the claimed design.

**1 Claim, 2 Drawing Sheets**



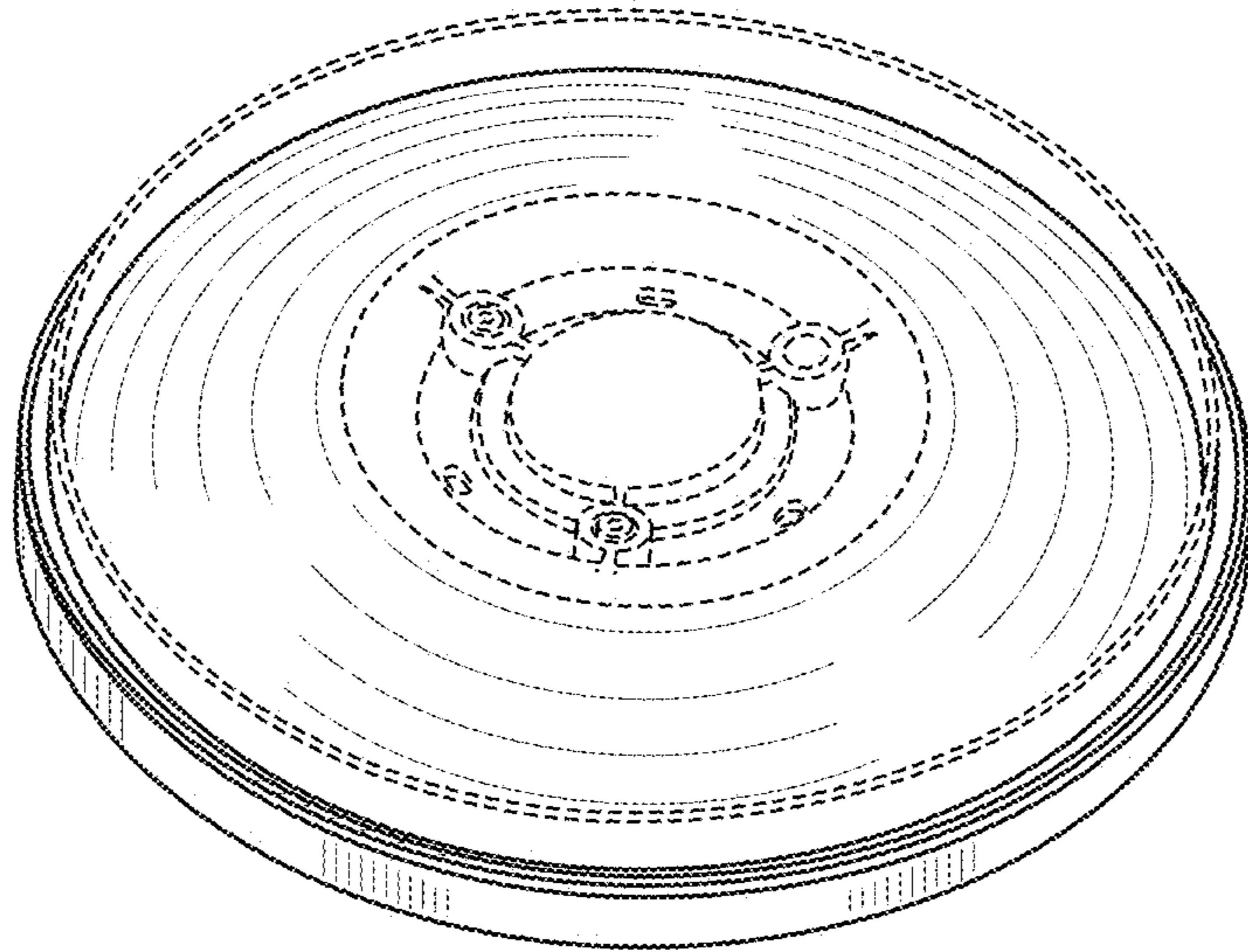


FIG. 1

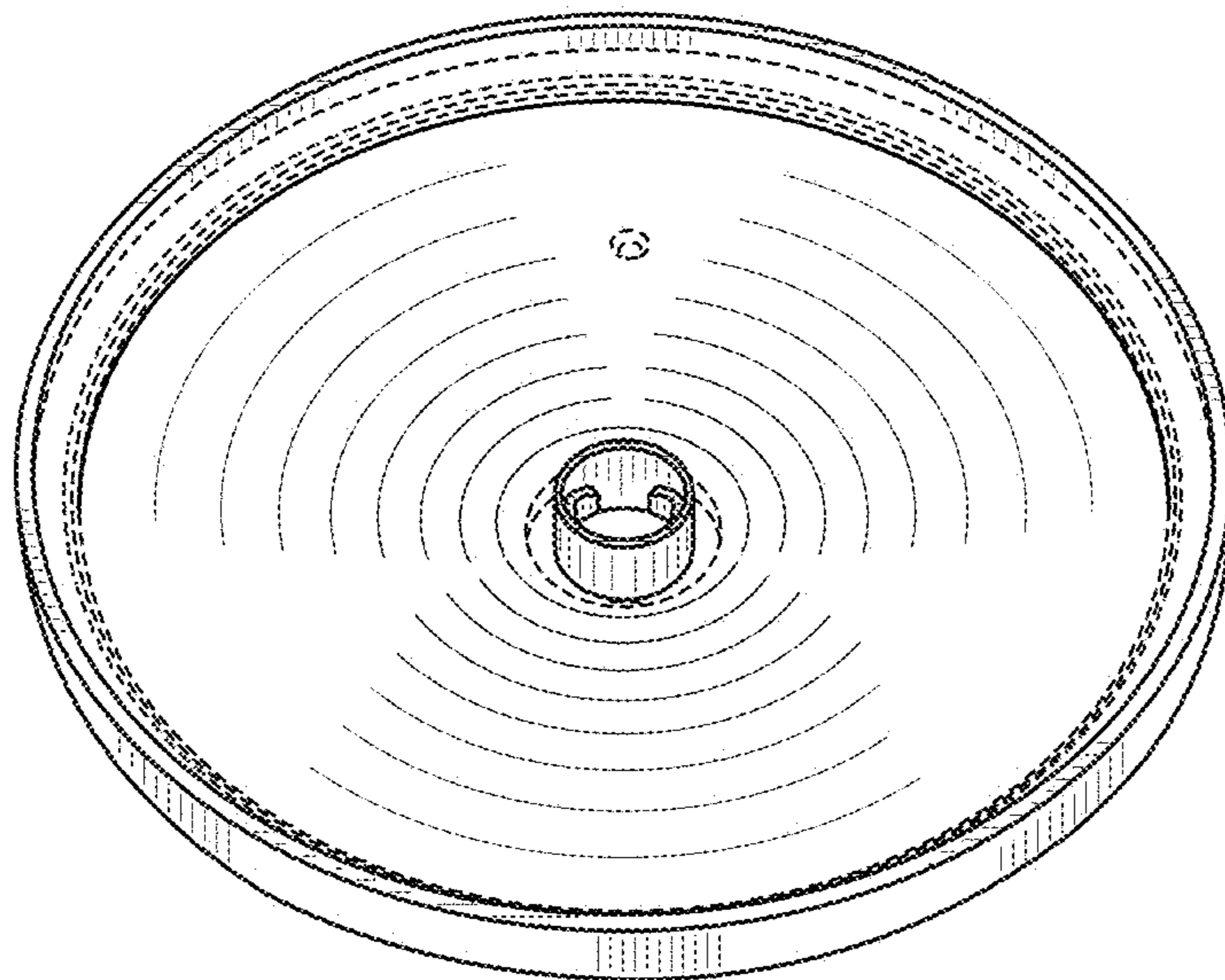


FIG. 2

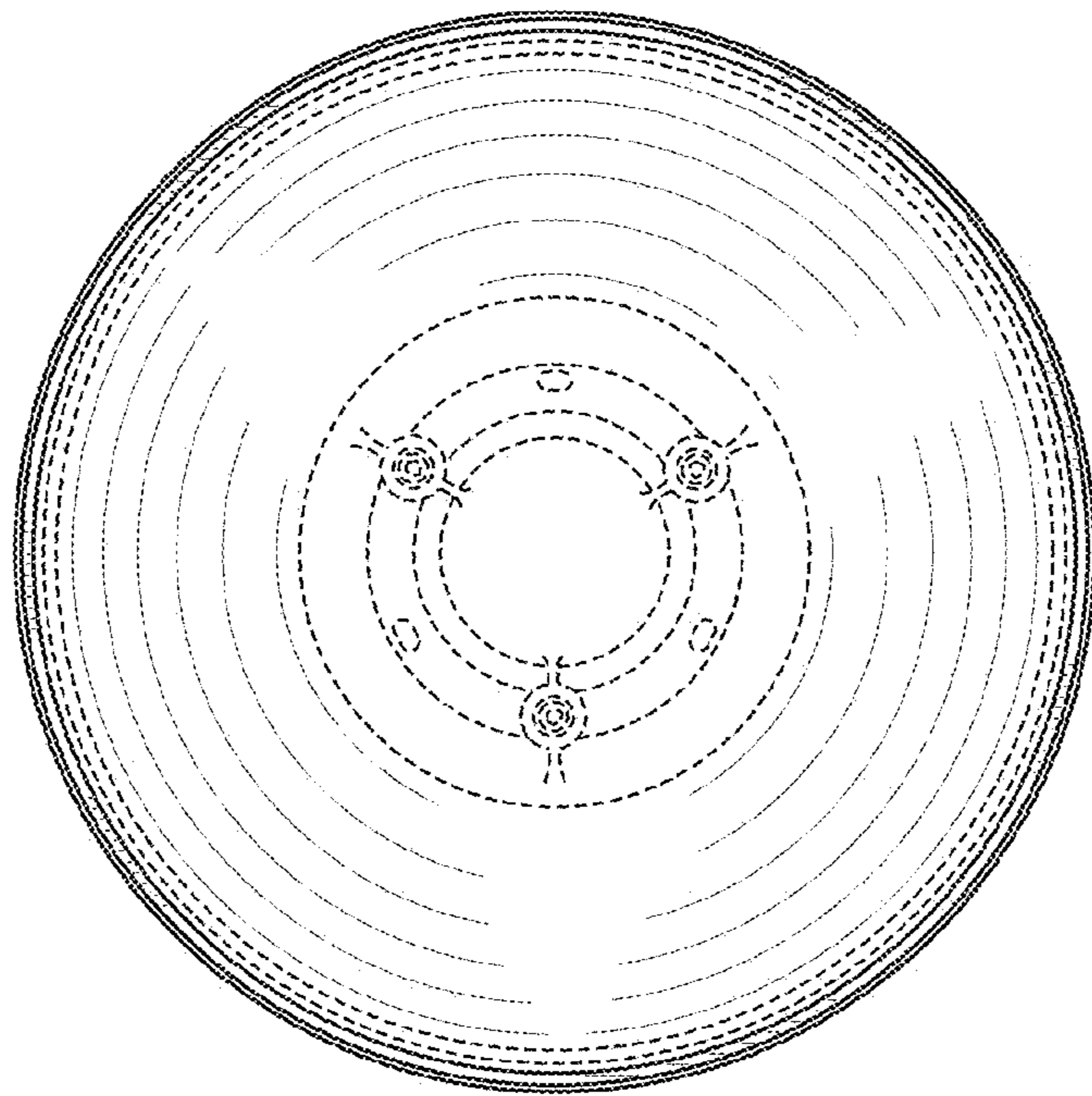


FIG. 3

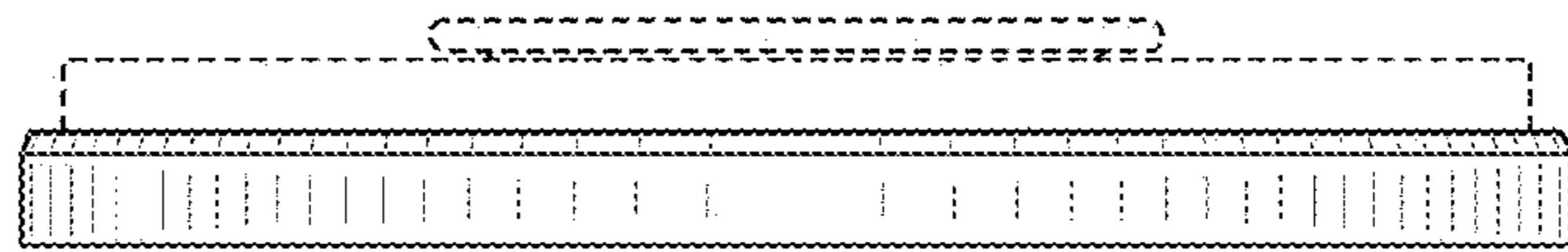


FIG. 4

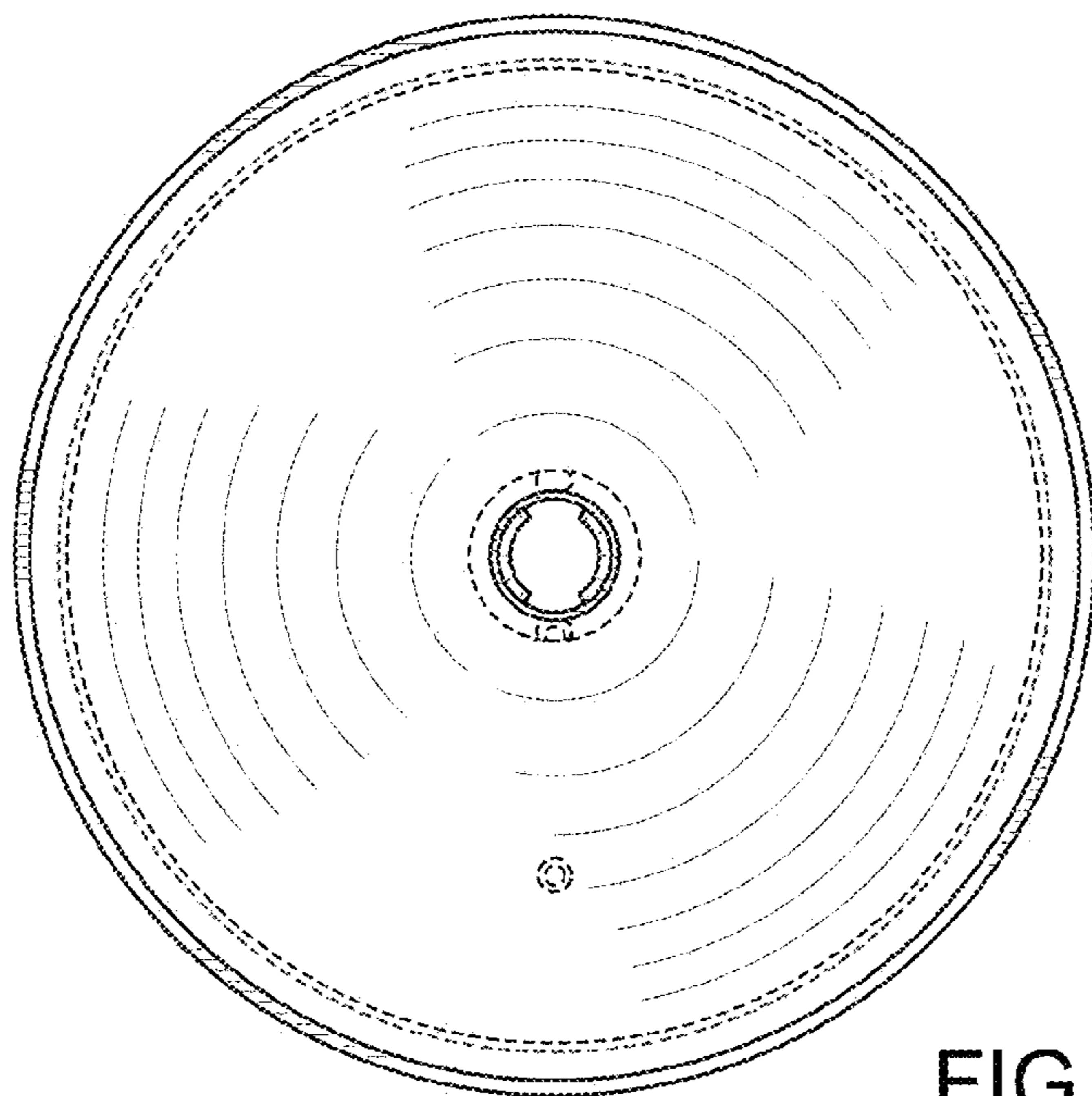


FIG. 5