

US00D692156S

(12) **United States Design Patent**  
**Matoba et al.**

(10) **Patent No.:** **US D692,156 S**  
(45) **Date of Patent:** **\*\* Oct. 22, 2013**

(54) **AUTO SAMPLER FOR LIQUID  
CHROMATOGRAPH ANALYZER**

(75) Inventors: **Kosuke Matoba**, Tokyo (JP); **Mitsuru Oonuma**, Tokyo (JP); **Masaru Tomioka**, Hitachinaka (JP); **Kiyotoshi Mori**, Hitachinaka (JP); **Akira Owada**, Hitachi (JP)

(73) Assignee: **Hitachi High-Technologies Corporation**, Tokyo (JP)

(\*\*) Term: **14 Years**

(21) Appl. No.: **29/429,038**

(22) Filed: **Aug. 7, 2012**

(30) **Foreign Application Priority Data**

Mar. 23, 2012 (JP) ..... 2012-006578

(51) **LOC (9) Cl.** ..... **24-01**

(52) **U.S. Cl.**  
USPC ..... **D24/216; D24/232**

(58) **Field of Classification Search**  
USPC ..... D24/216, 217, 219, 223, 231, 232, 233,  
D24/107, 169, 186, 111; D10/81;  
422/62-65, 67, 500, 547, 70, 81, 505,  
422/506, 509; 436/43, 45, 47; 435/287.1,  
435/287.3; 73/61.52, 61.55; 210/198.2,  
210/656, 659

See application file for complete search history.

(56) **References Cited**

**U.S. PATENT DOCUMENTS**

D353,384 S \* 12/1994 Ninomiya et al. .... D15/7  
D422,925 S \* 4/2000 Glaser et al. .... D10/81  
D424,458 S \* 5/2000 Hanson et al. .... D10/81  
D456,728 S \* 5/2002 Oonuma et al. .... D10/81  
D599,234 S 9/2009 Ito  
D631,976 S \* 2/2011 Oonuma et al. .... D24/216

D637,929 S \* 5/2011 Kimura et al. .... D10/81  
D637,930 S \* 5/2011 Kimura et al. .... D10/81  
D645,977 S \* 9/2011 Oonuma et al. .... D24/232  
D645,979 S \* 9/2011 Oonuma et al. .... D24/232  
D646,189 S \* 10/2011 Dinter et al. .... D10/81  
D646,398 S \* 10/2011 Oonuma et al. .... D24/232  
D652,147 S \* 1/2012 Isozaki ..... D24/216  
D663,856 S \* 7/2012 Lieblein et al. .... D24/216

**FOREIGN PATENT DOCUMENTS**

CN 301505786 S 4/2011

**OTHER PUBLICATIONS**

U.S. Appl. No. 29/429,040, filed Aug. 7, 2012, Matoba, copending.

\* cited by examiner

*Primary Examiner* — Anhdao Doan

(74) *Attorney, Agent, or Firm* — Antonelli, Terry, Stout & Kraus, LLP.

(57) **CLAIM**

We claim the ornamental design for an auto sampler for liquid chromatograph analyzer, as shown and described.

**DESCRIPTION**

FIG. 1 is a front, top and right side perspective view of an auto sampler for liquid chromatograph analyzer showing our new design;

FIG. 2 is a front elevational view thereof;

FIG. 3 is a rear elevational view thereof;

FIG. 4 is a left side elevational view thereof;

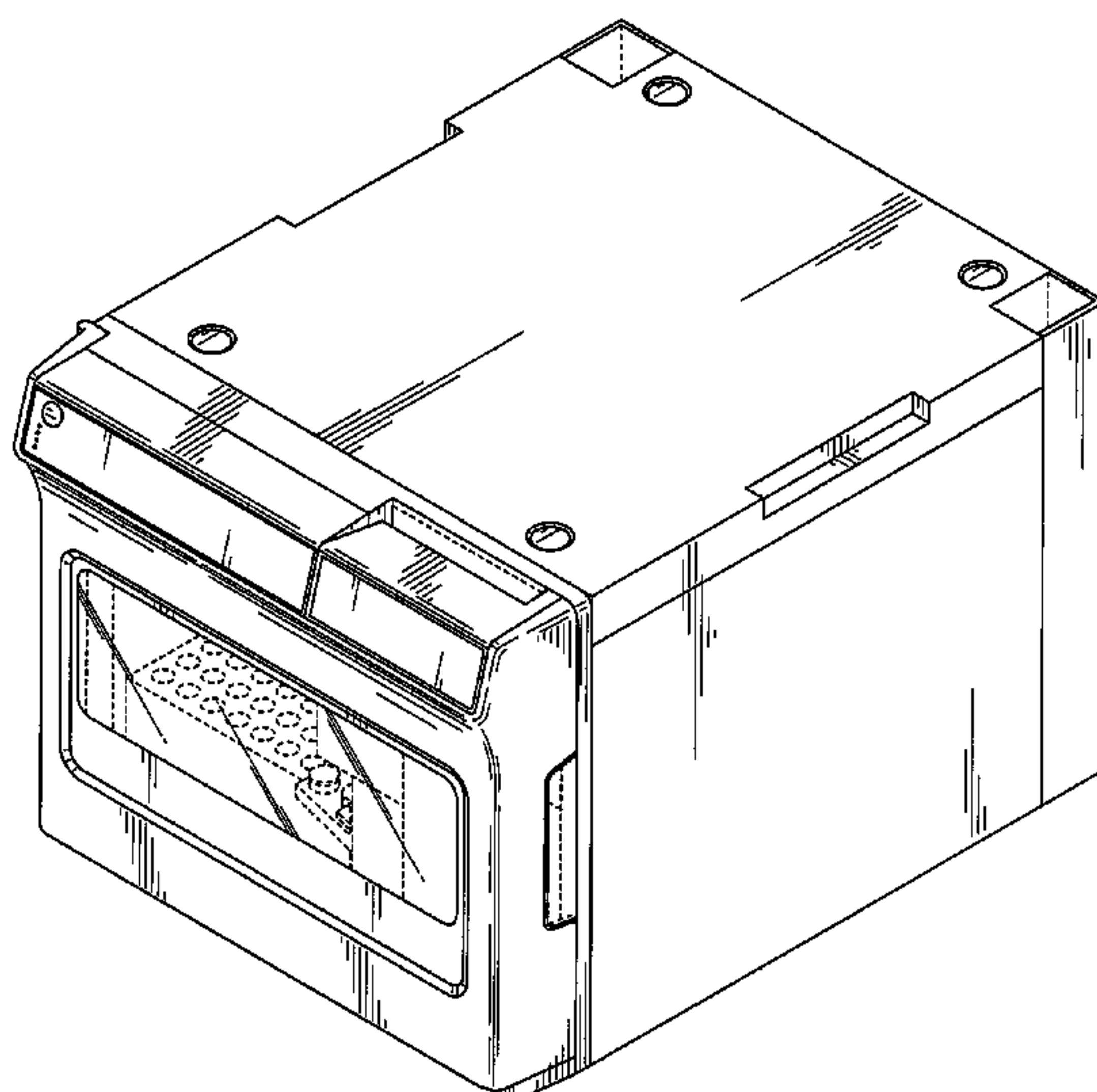
FIG. 5 is a right side elevational view thereof;

FIG. 6 is a top plan view thereof; and,

FIG. 7 is a bottom plan view thereof.

The broken lines in the drawing views are included for the purpose of illustrating portions of the auto sampler for liquid chromatograph analyzer that form no part of the claimed design.

**1 Claim, 5 Drawing Sheets**



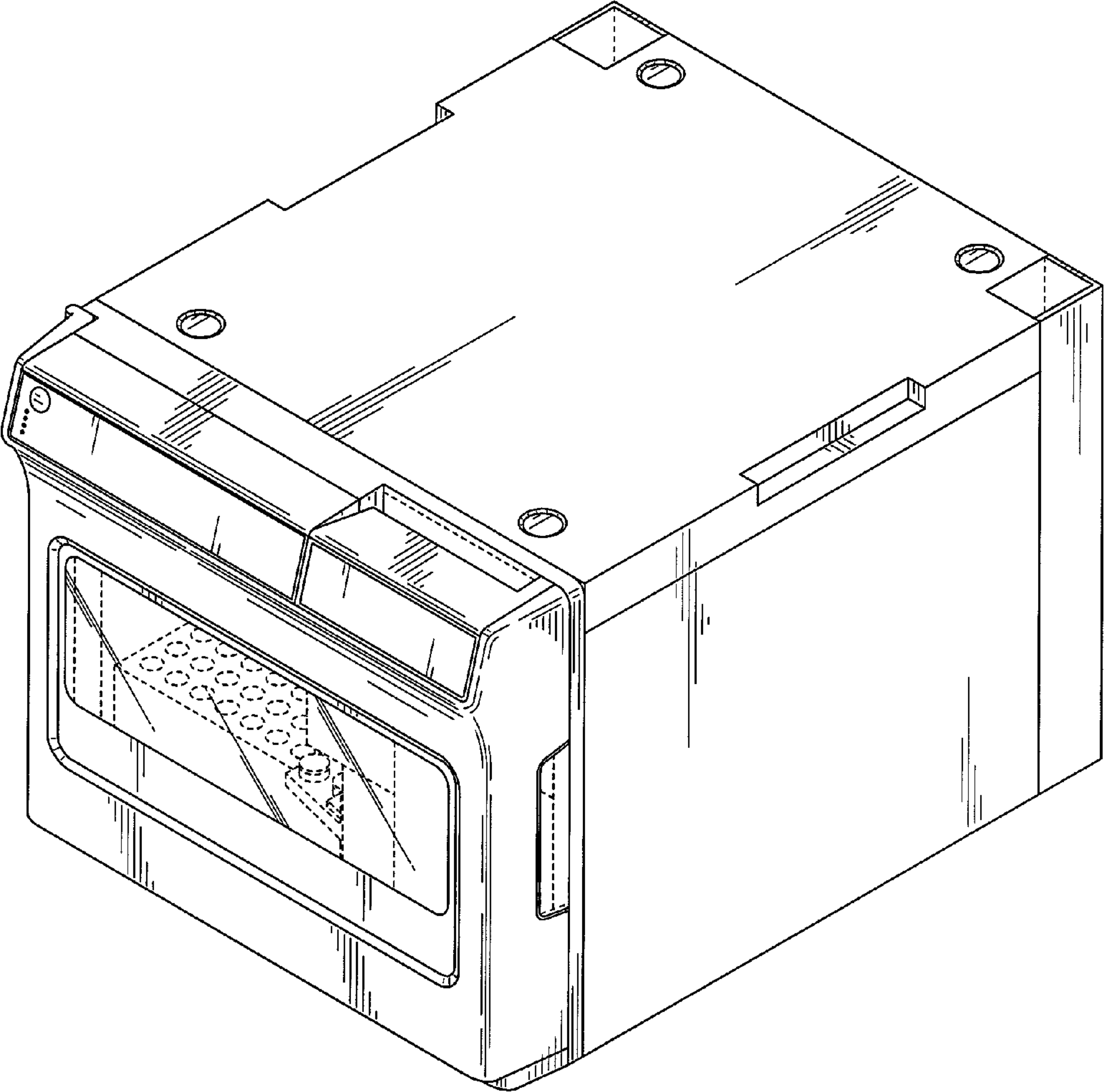
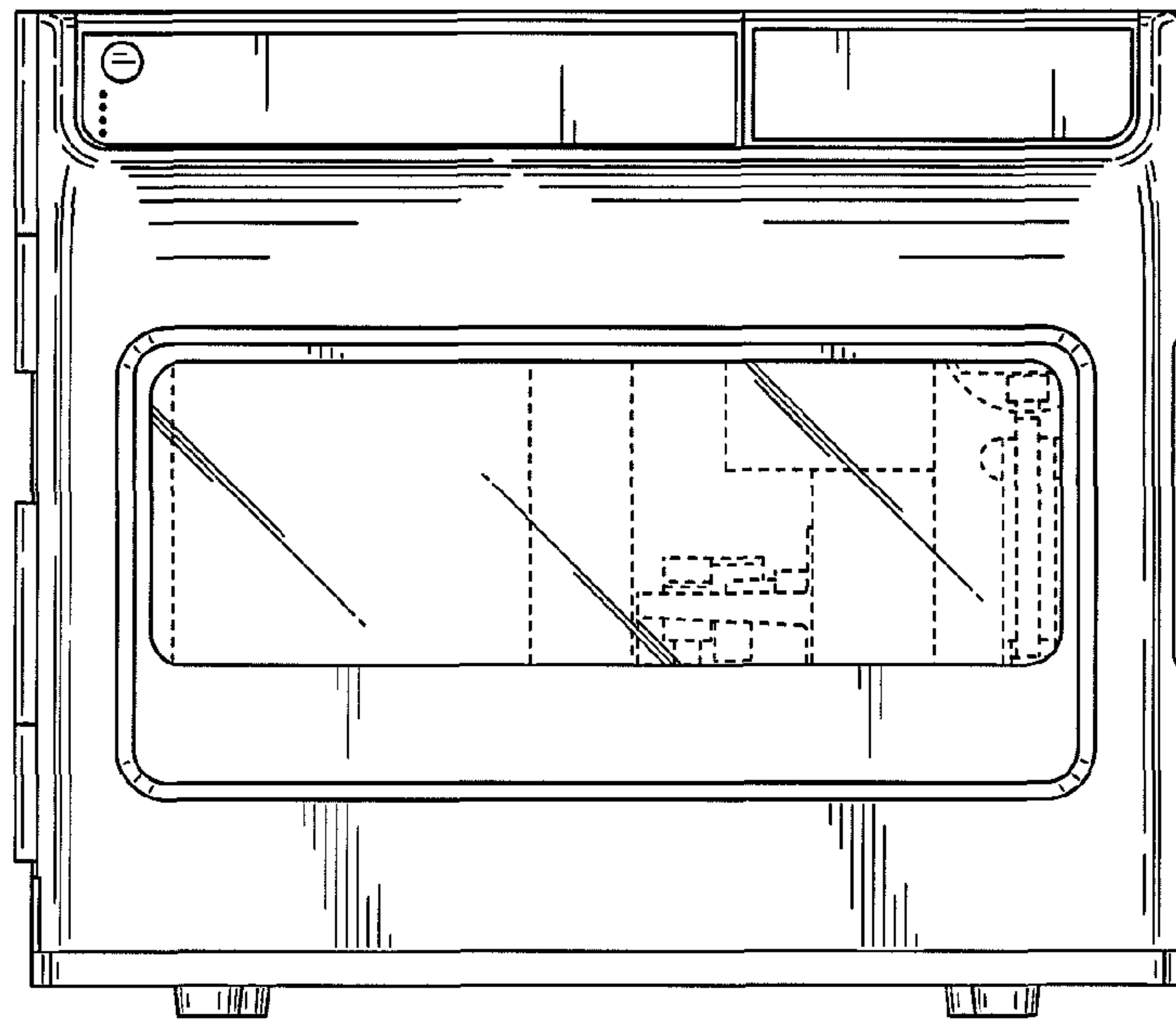
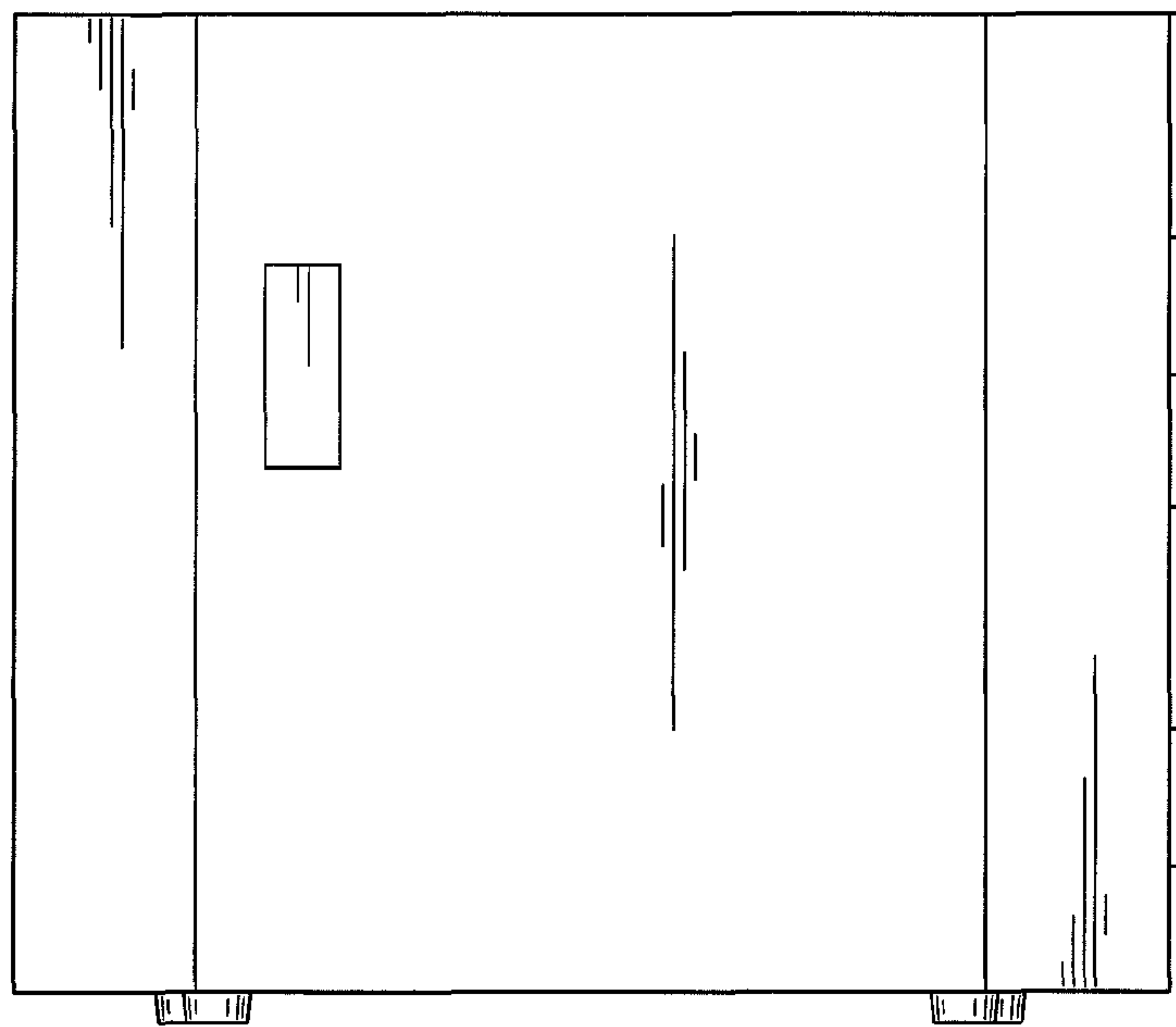


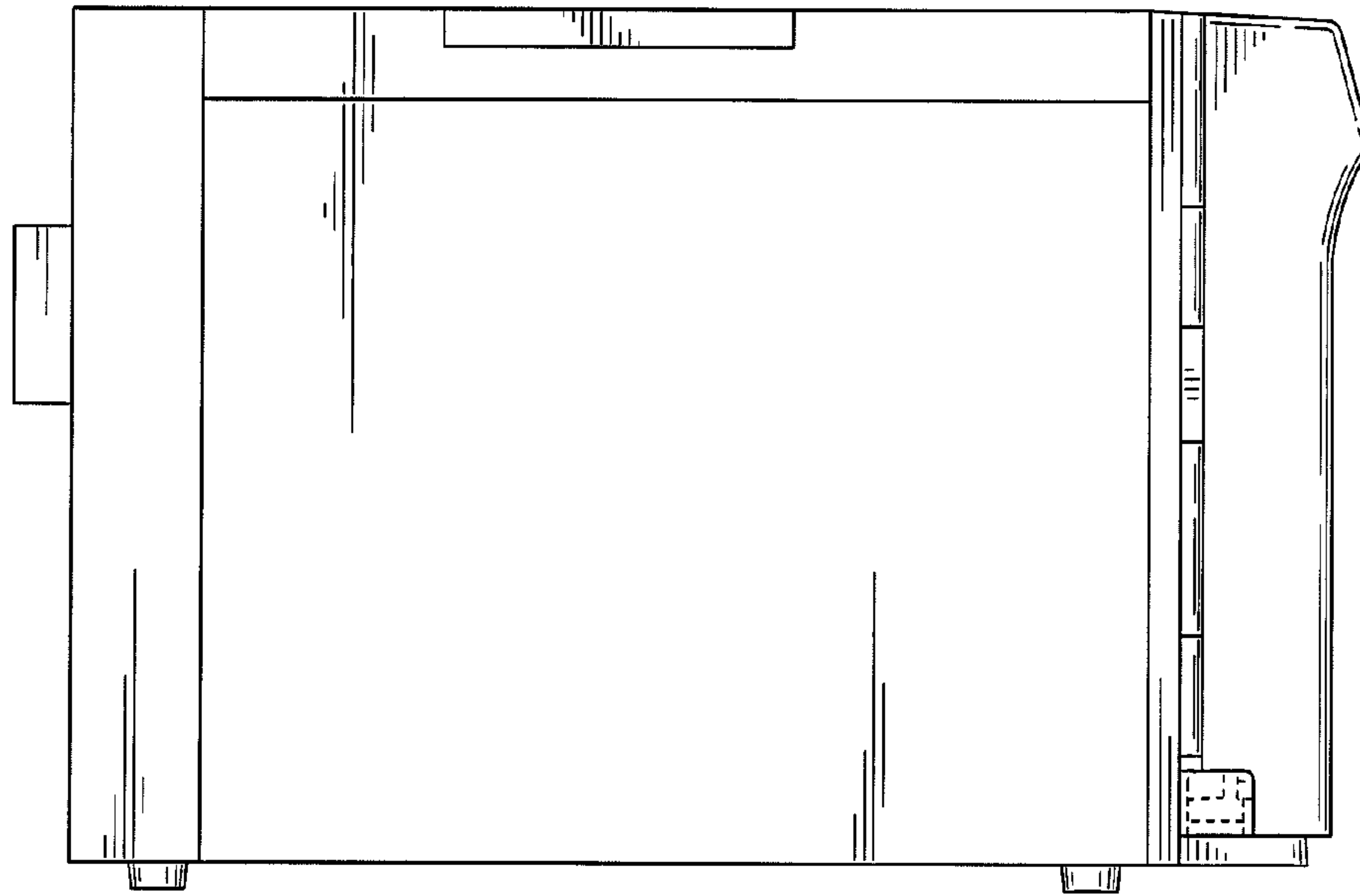
FIG. 1



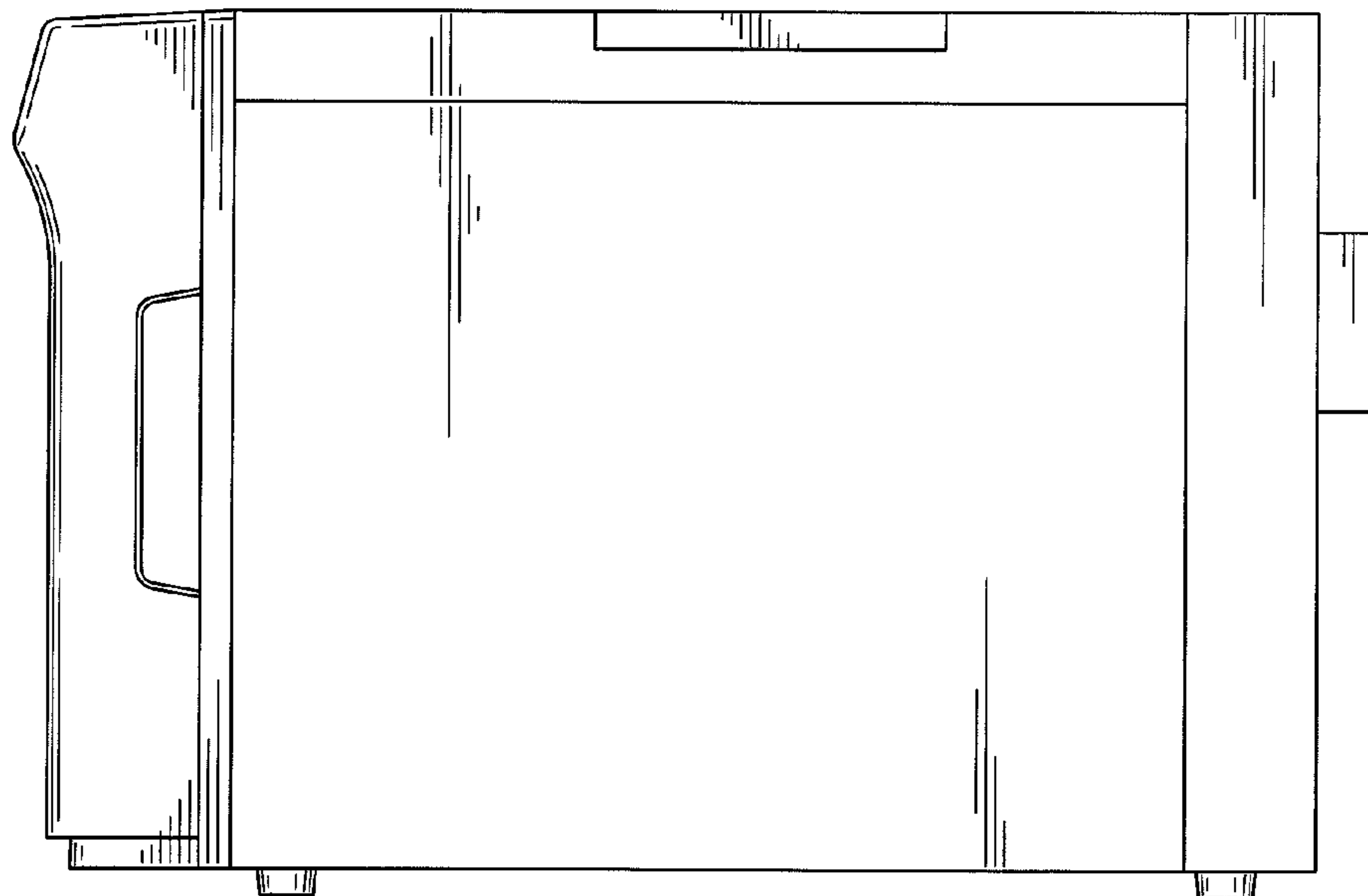
*FIG. 2*



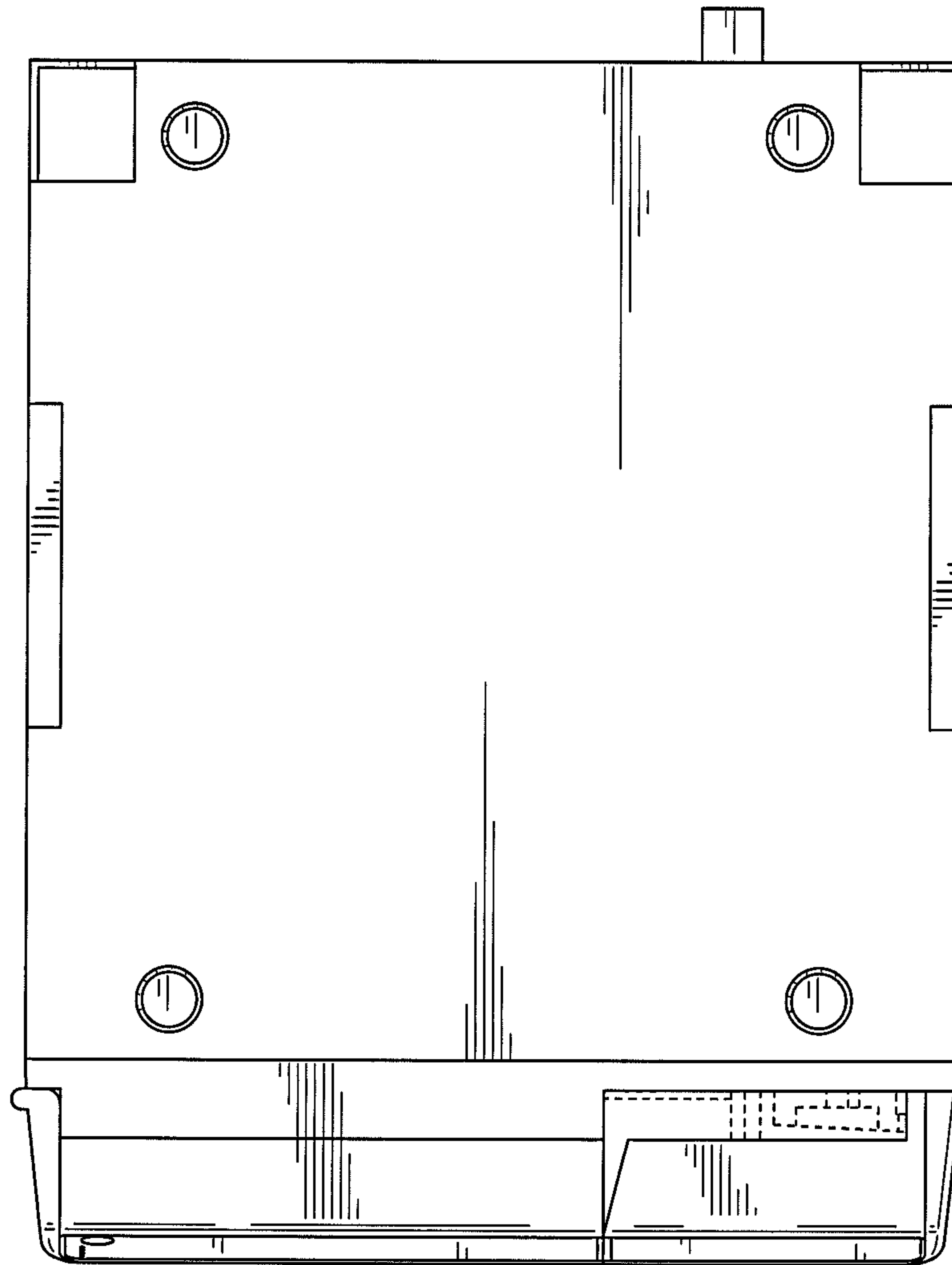
*FIG. 3*



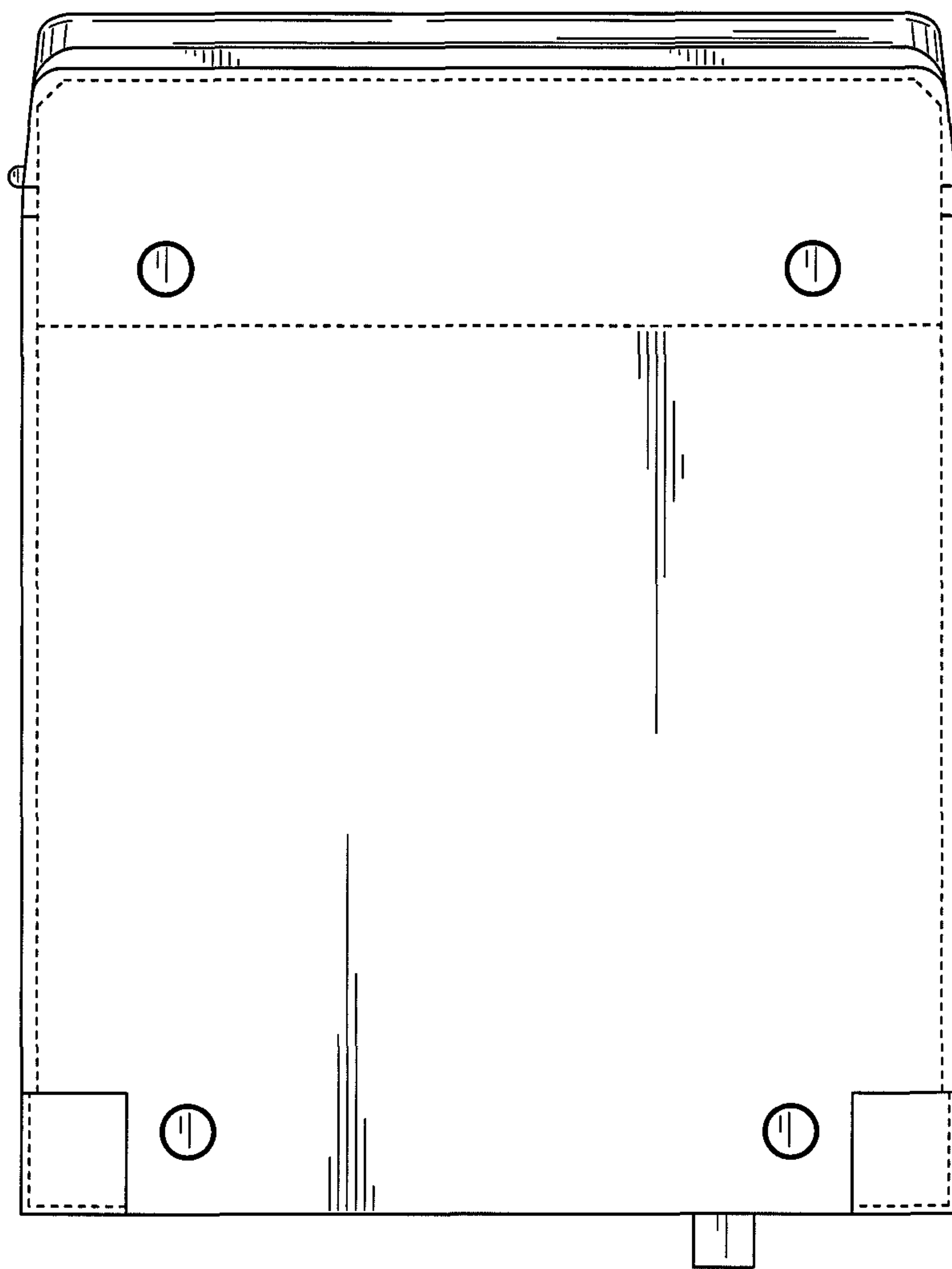
*FIG. 4*



*FIG. 5*



**FIG. 6**



**FIG. 7**