



US00D692147S

(12) **United States Design Patent**
Miyachika et al.

(10) **Patent No.:** **US D692,147 S**
(45) **Date of Patent:** **** Oct. 22, 2013**

(54) **MEDICAL PATCH**

(75) Inventors: **Takafumi Miyachika**, Saga (JP);
Hiroyuki Taketomi, Saga (JP)

(73) Assignee: **Hisamitsu Pharmaceutical Co., Ltd.**,
Saga (JP)

(**) Term: **14 Years**

(21) Appl. No.: **29/404,447**

(22) Filed: **Oct. 20, 2011**

(30) **Foreign Application Priority Data**

Apr. 22, 2011 (JP) D2011-009410

(51) **LOC (9) Cl.** **24-04**

(52) **U.S. Cl.**
USPC **D24/189**

(58) **Field of Classification Search**
USPC D24/189; 424/447, 448, 449; 602/41-47,
602/52, 58; 428/40.1, 43, 57, 139, 343, 352;
604/304, 306, 307; D5/53, 52, 58
See application file for complete search history.

(56) **References Cited**

U.S. PATENT DOCUMENTS

2,721,550 A 10/1955 Banff
2,969,144 A 1/1961 Zackheim

(Continued)

FOREIGN PATENT DOCUMENTS

EP 0 101 298 A2 2/1984
GB 883916 A 12/1961

(Continued)

OTHER PUBLICATIONS

Japanese Office Action for JP D2011/009410 dated Aug. 8, 2011.

(Continued)

Primary Examiner — T. Chase Nelson
Assistant Examiner — Michelle E Wilson

(74) *Attorney, Agent, or Firm* — Leydig, Voit & Mayer, Ltd.

(57) **CLAIM**

The ornamental design for a medical patch, as shown and described.

DESCRIPTION

FIG. 1 is a front view of a medical patch of the present invention.

FIG. 2 is a rear view of the medical patch of FIG. 1.

FIG. 3 is a top plan view of the medical patch of FIG. 1.

FIG. 4 is a bottom view of the medical patch of FIG. 1.

FIG. 5 is a right side view of the medical patch of FIG. 1.

FIG. 6 is a left side view of the medical patch of FIG. 1.

FIG. 7 is a front perspective view of the medical patch of FIG. 1 including shading.

FIG. 8 is a rear perspective view of the medical patch of FIG. 1 including shading.

FIG. 9 is a reference view of the medical patch of FIG. 1 being prepared for use by gripping an edge of a protective coversheet of the medical patch.

FIG. 10 is a reference view of the medical patch of FIG. 1 being prepared for use after gripping an edge of a protective coversheet of the medical patch and opening the protective coversheet to expose a medicine side of a patch portion, wherein the patch portion has a temporary location on the protective coversheet.

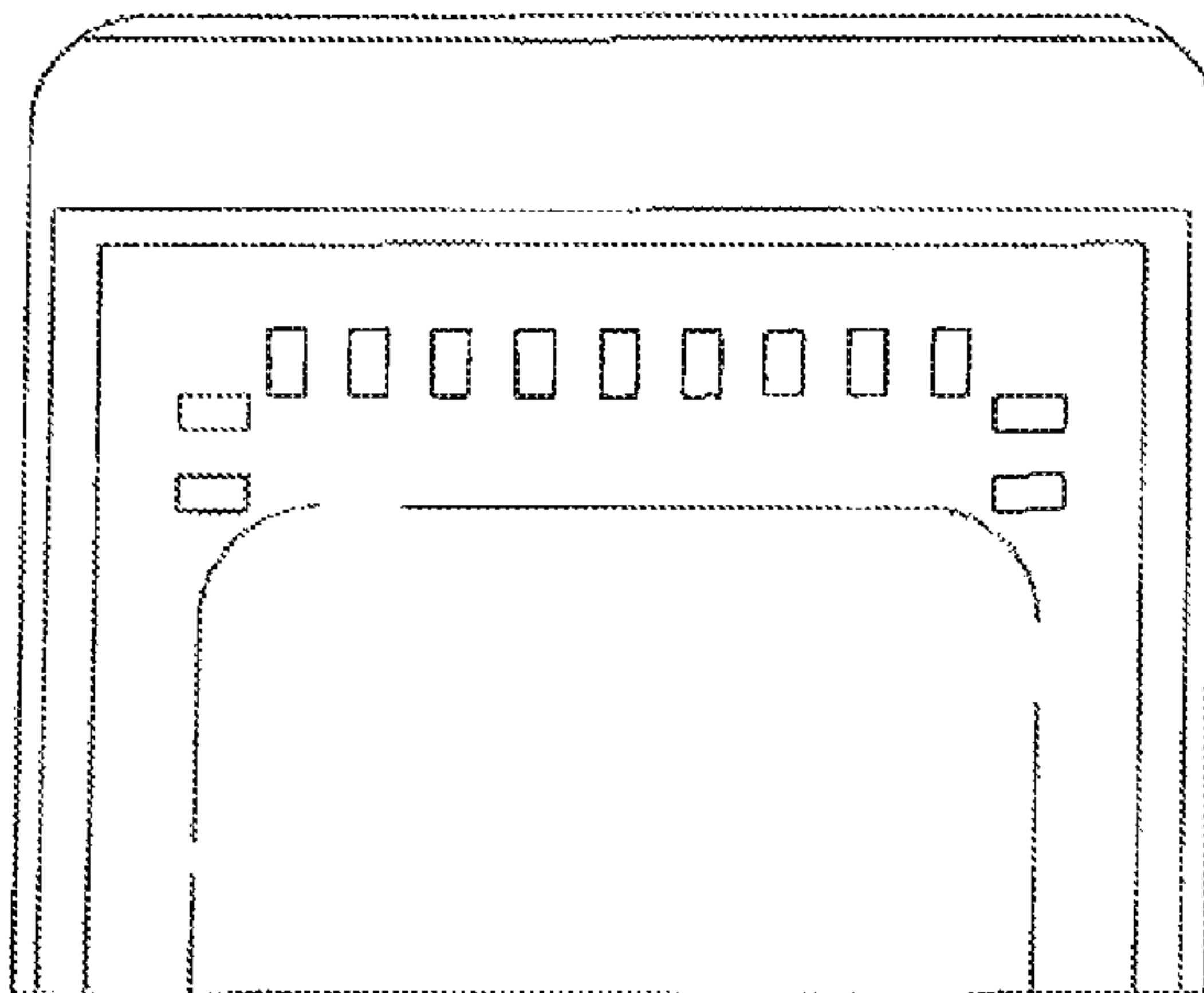
FIG. 11 is a reference view of the medical patch of FIG. 1 being prepared to be applied to a human body after opening a protective coversheet of the medical patch.

FIG. 12 is a reference view of the medical patch of FIG. 1 applied to a human body after opening a protective coversheet of the medical patch, wherein a medicine side of a patch portion contacts the human body.

FIG. 13 is a reference view of the medical patch of FIG. 1 applied to a human body and showing a protective coversheet of the medical patch being removed while a medicine side of a patch portion remains in contact with the human body; and,

FIG. 14 is a reference view after the medical patch of FIG. 1 has been applied to a human body and after a protective coversheet of the medical patch has been removed such that a medicine side of a patch portion remains in contact with the human body.

1 Claim, 14 Drawing Sheets



(56)

References Cited

U.S. PATENT DOCUMENTS

2,969,145	A	1/1961	Hannauer, Jr.	
3,457,919	A	7/1969	Harbard et al.	
4,264,008	A	4/1981	Kozlow	
4,265,234	A	5/1981	Schaar	
4,304,333	A	12/1981	Kozlow	
4,587,146	A *	5/1986	Anhauser et al.	428/42.2
4,638,043	A *	1/1987	Szycher et al.	528/75
5,052,381	A *	10/1991	Gilbert et al.	602/52
5,266,371	A *	11/1993	Sugii et al.	428/41.5
5,397,297	A	3/1995	Hunter	
5,840,052	A	11/1998	Johns	
5,998,694	A *	12/1999	Jensen et al.	602/57
6,140,549	A	10/2000	Pompei, Jr.	
D477,086	S *	7/2003	Tsuruda et al.	D24/189
6,953,602	B2 *	10/2005	Carte et al.	427/208.4
D512,509	S *	12/2005	Yamasoto et al.	D24/189
D537,947	S *	3/2007	Miyachika et al.	D24/189
D545,441	S *	6/2007	Miyachika et al.	D24/189
D668,766	S *	10/2012	Miyachi et al.	D24/189
D670,395	S *	11/2012	Wakamatsu et al.	D24/189
D678,534	S *	3/2013	Durand et al.	D24/189
2004/0004014	A1	1/2004	Grossman	
2011/0253303	A1	10/2011	Miyachi et al.	

FOREIGN PATENT DOCUMENTS

JP	50-133797	11/1975
JP	59049762 A	3/1984
JP	2003-190206	7/2003
JP	2003-325575	11/2003
JP	2004-024752 A	1/2004

JP	3689807 B2	8/2005
JP	2007-075601	3/2007
JP	2007-075602	3/2007
JP	1398441	10/2010
JP	1403401	12/2010
KR	3001360890000	1/1993
TW	138261	12/2010
WO	01/35884 A1	5/2001
WO	WO 2010/071104 A1	6/2010

OTHER PUBLICATIONS

Notice of Allowance. Taiwanese Design Application. No. 100305673. dated Jun. 22, 2010.

SG Office Action, Appln. No. 201104340-3, mailed on Jan. 28, 2013.

International Preliminary Report on Patentability, Application No. PCT/JP2009/070820, dated Jul. 5, 2011.

International Preliminary Report on Patentability, Application No. PCT/JP2009/071144, dated Aug. 9, 2011.

Chinese Office Action, Application No. 200980150447.4, mailed Dec. 21, 2012.

International Search Report, Application No. PCT/JP/2009/070820, mailed Mar. 16, 2010.

International Search Report, Application No. PCT/JP/2009/071144, mailed Mar. 16, 2010.

New Zealand Examination Report, Application No. 593967, mailed Aug. 8, 2012.

Extended European Search Report, Application No. 09834794.1, dated Mar. 15, 2013.

US Office Action, U.S. Appl. No. 13/139,438, mailed Mar. 26, 2013.

Office Action SG Patent Application No. 201104339-5 Dated Jun. 28, 2013.

* cited by examiner

FIG. 1

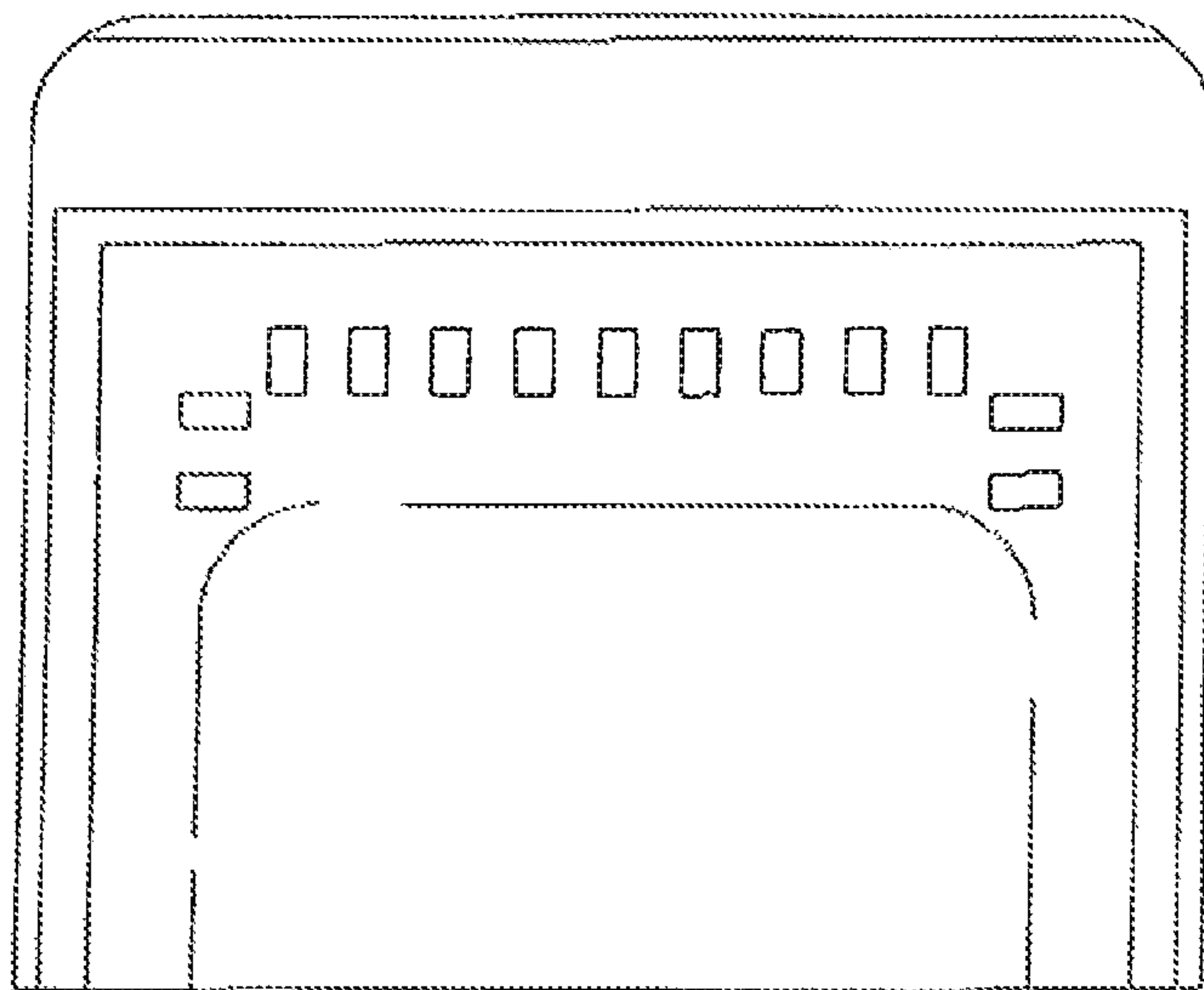


FIG. 2

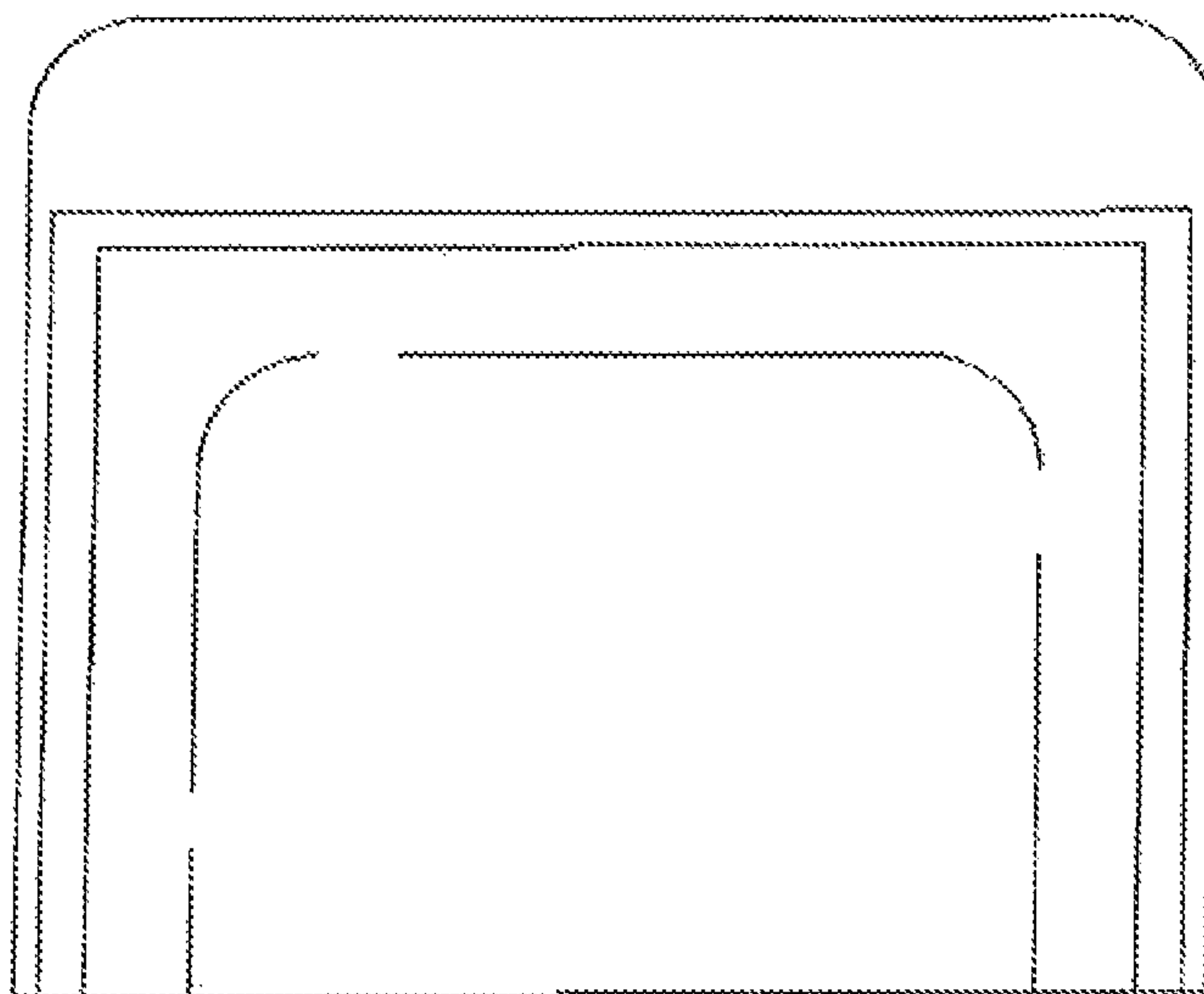


FIG. 3

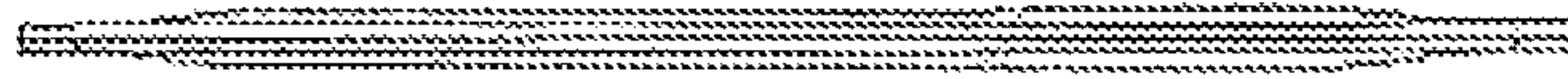


FIG. 4

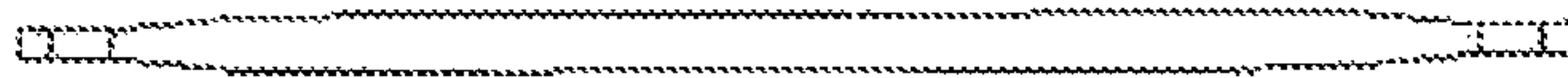


FIG. 5



FIG. 6



FIG. 7

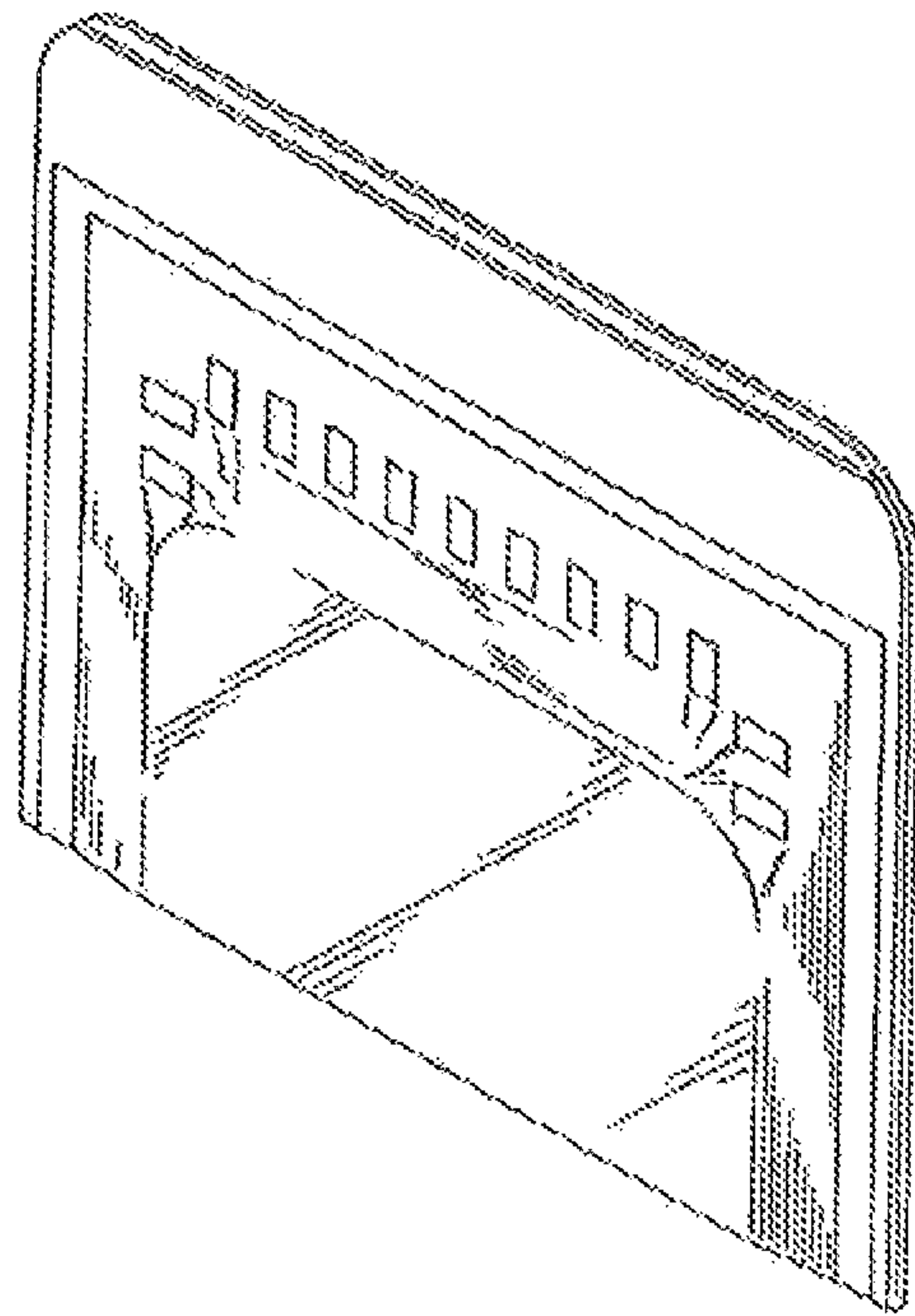
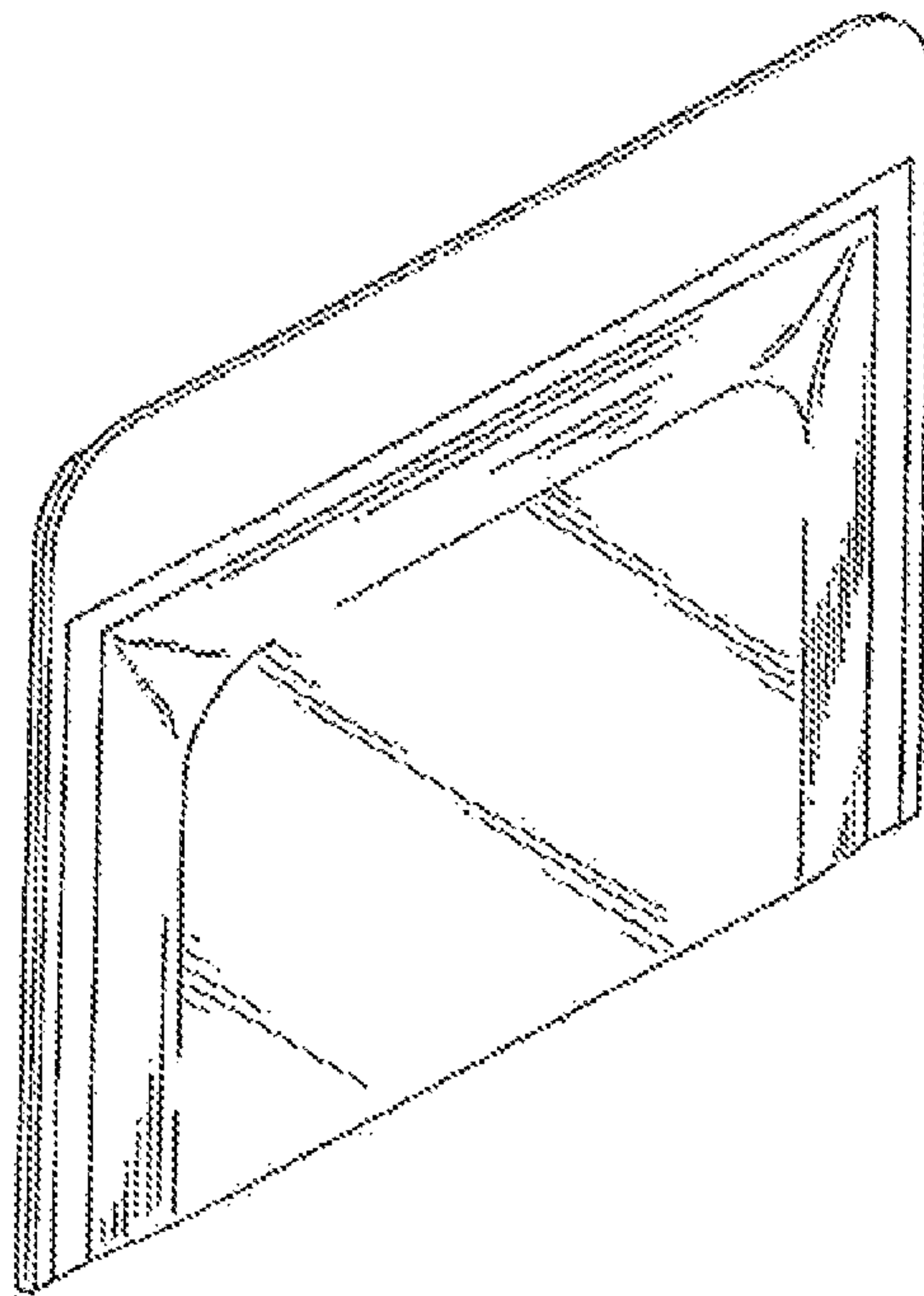


FIG. 8



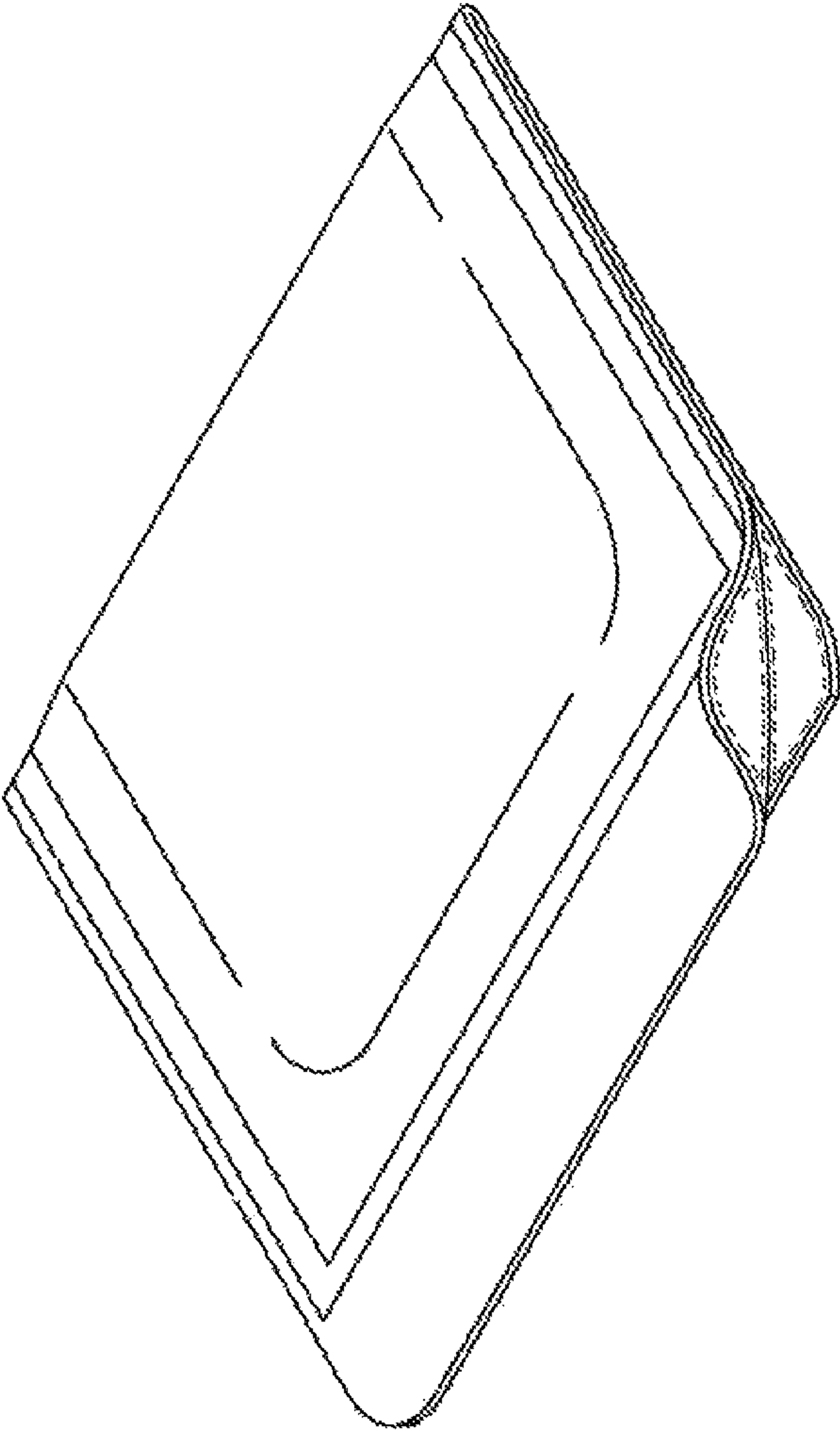


FIG. 9

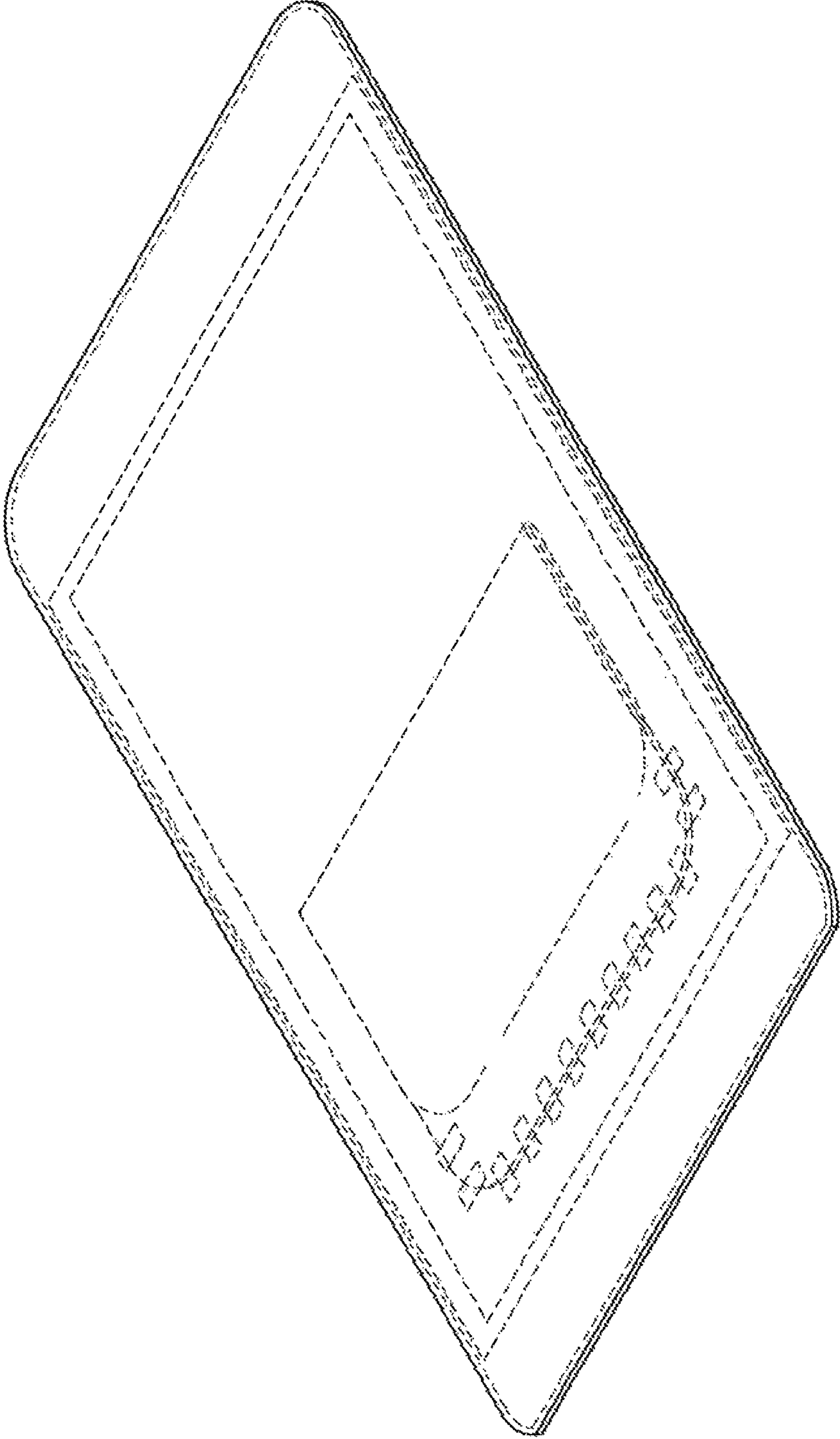


FIG. 10

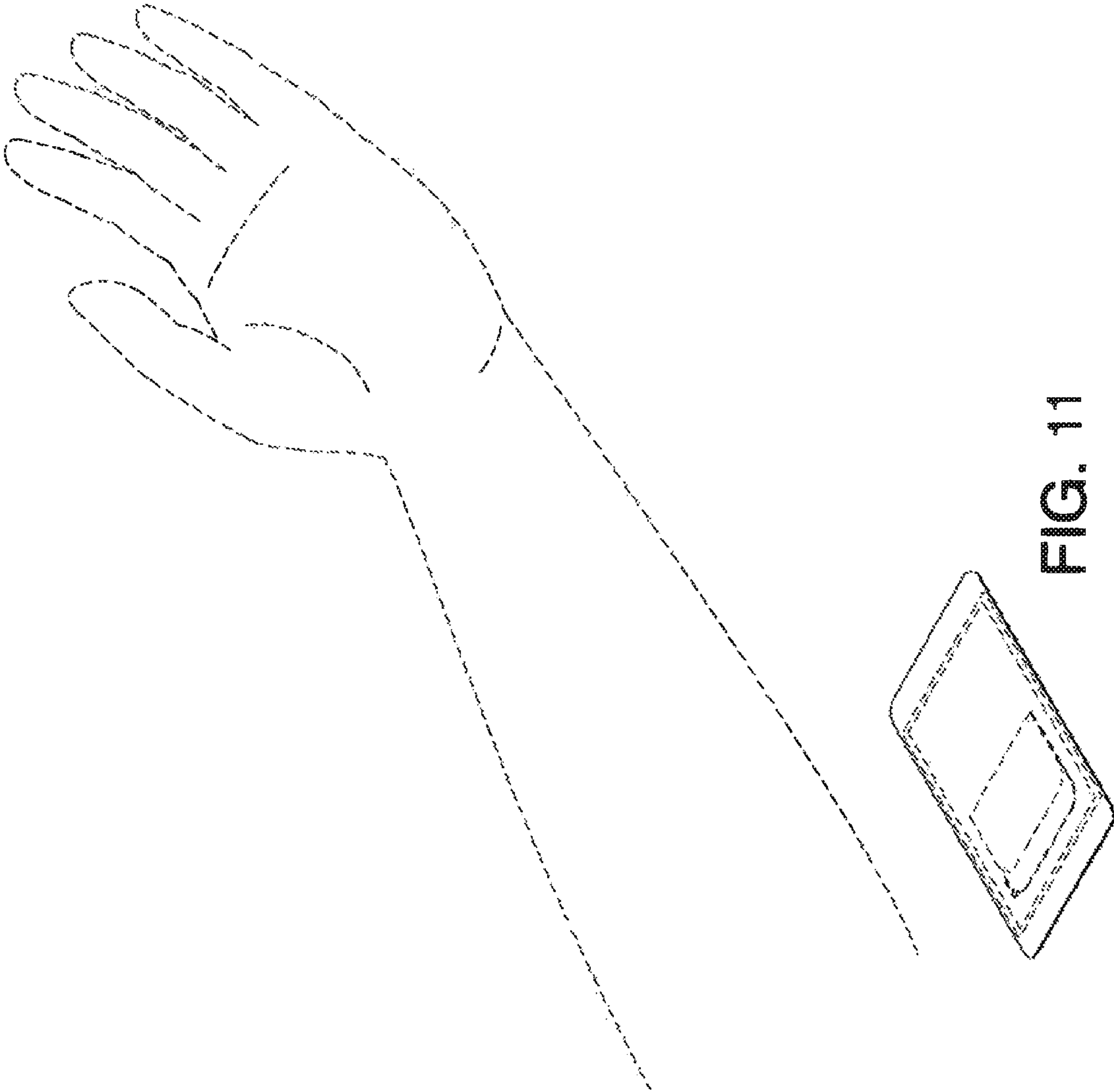


FIG. 11

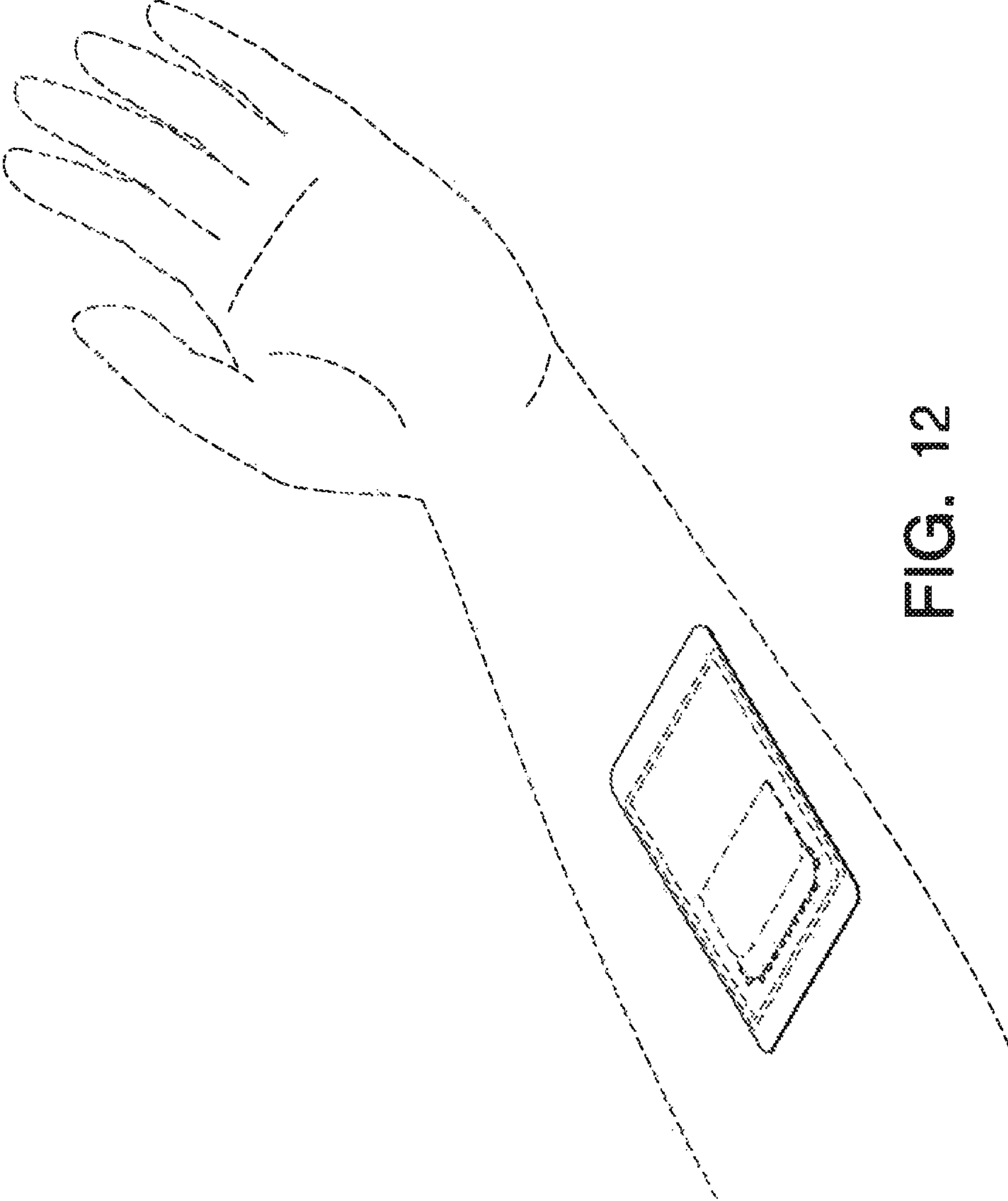


FIG. 12

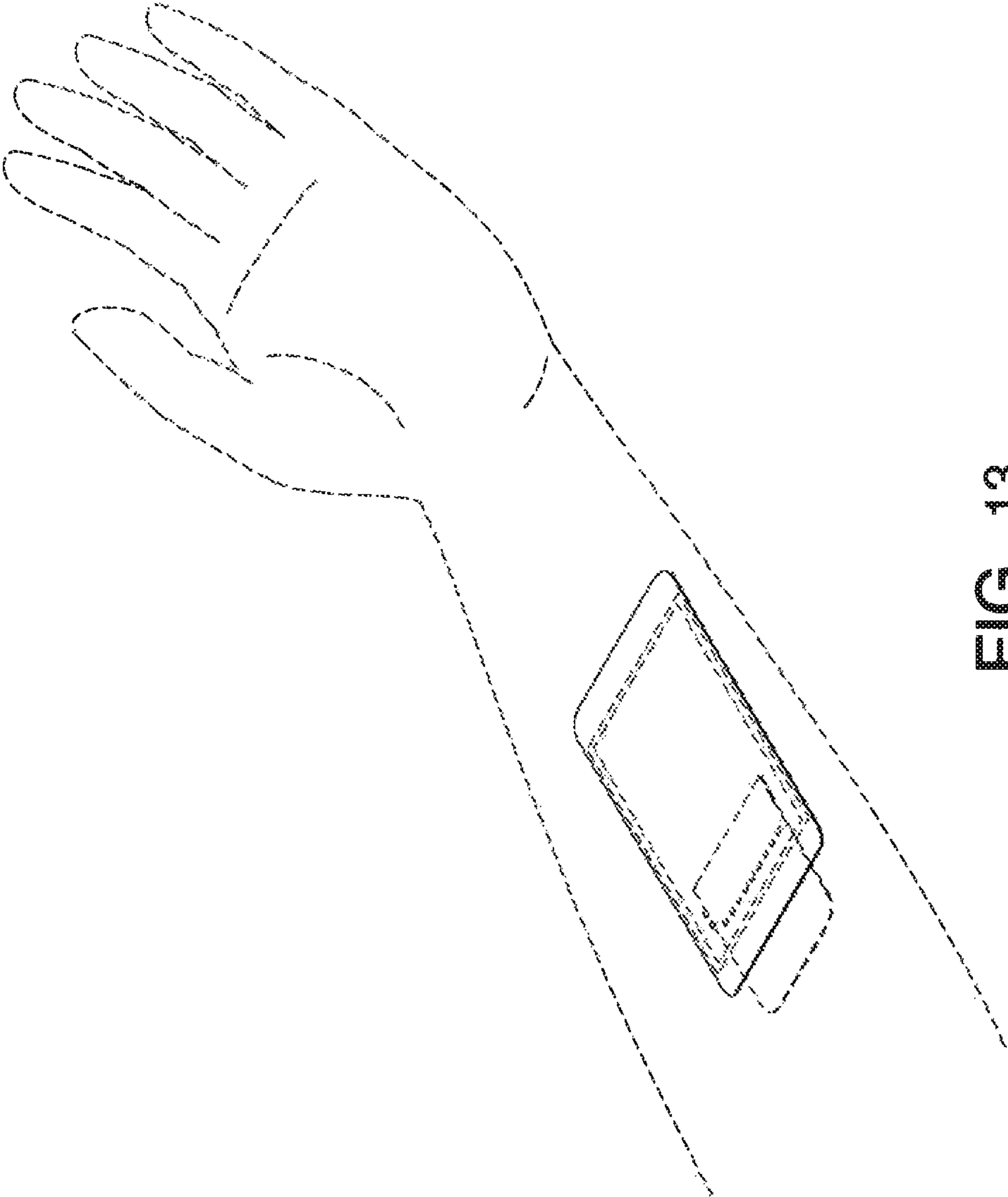


FIG. 13

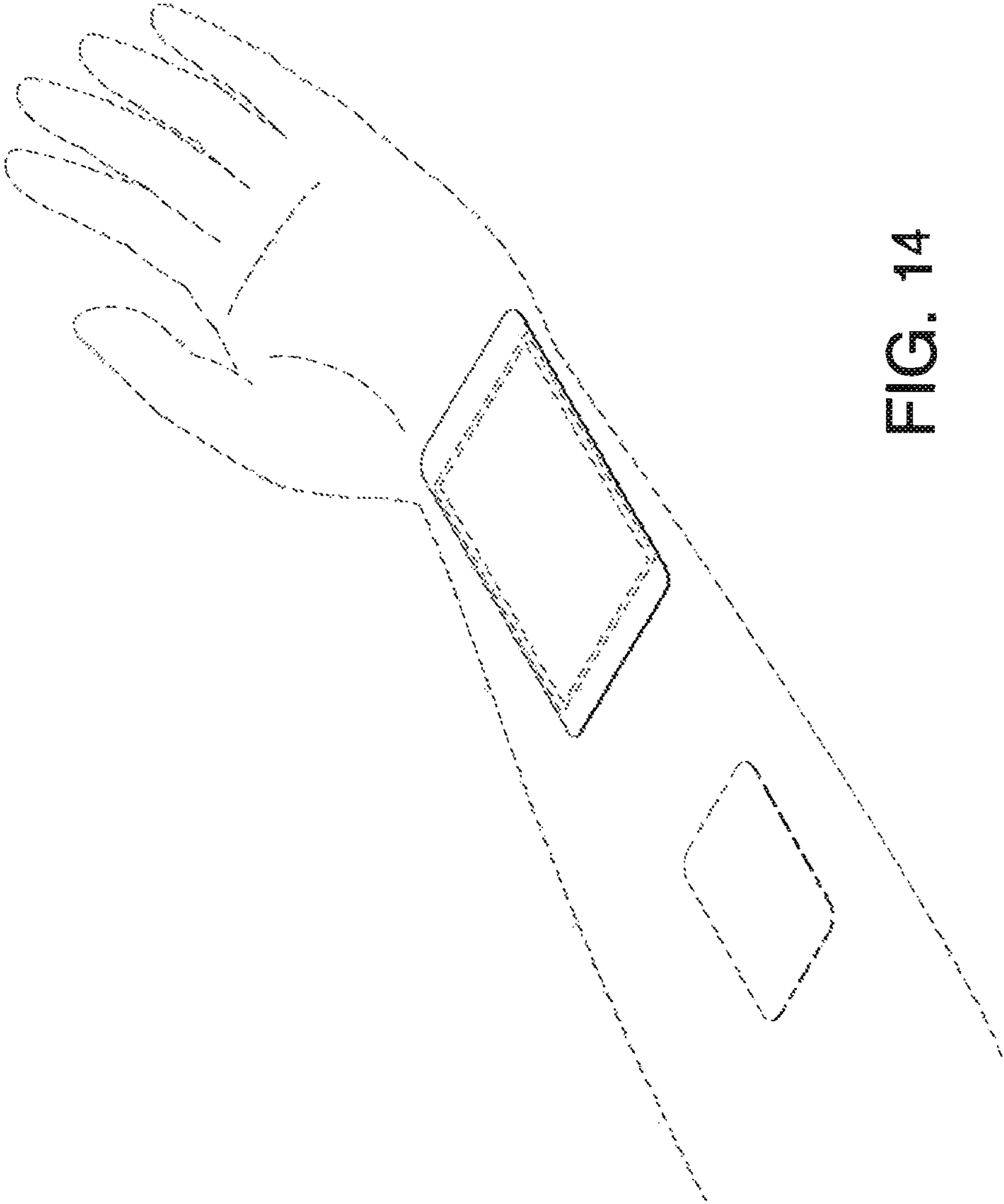


FIG. 14

UNITED STATES PATENT AND TRADEMARK OFFICE
CERTIFICATE OF CORRECTION

PATENT NO. : D692,147 S
APPLICATION NO. : 29/404447
DATED : October 22, 2013
INVENTOR(S) : Miyachika et al.

Page 1 of 1

It is certified that error appears in the above-identified patent and that said Letters Patent is hereby corrected as shown below:

On the Title Page

Item (73) the assignee is listed as “Hisamitsu Pharmaceutical Co., Ltd., Saga (JP)”

The assignee should appear as “Hisamitsu Pharmaceutical Co., Inc., Saga (JP)”

Signed and Sealed this
Fifteenth Day of April, 2014



Michelle K. Lee
Deputy Director of the United States Patent and Trademark Office