



US00D692143S

(12) **United States Design Patent**  
**shahidi bonjar**

(10) **Patent No.:** **US D692,143 S**

(45) **Date of Patent:** **\*\* Oct. 22, 2013**

(54) **DENTAL SUCTION TIP BEARING INTERNAL SPIRAL ROTARY HEAD**

(75) Inventor: **Amir Hashem shahidi bonjar**, Tehran (IR)

(73) Assignees: **Amir Hashem Shahidi Bonjar**, Tehran (IR); **Shahid Beheshti University of Medical Sciences**, Tehran (IR)

(\*\*) Term: **14 Years**

(21) Appl. No.: **29/431,942**

(22) Filed: **Sep. 12, 2012**

(51) **LOC (9) Cl.** ..... **24-01**

(52) **U.S. Cl.**

USPC ..... **D24/176; D24/112**

(58) **Field of Classification Search**

USPC ..... D24/152, 156, 176-178, 108, 112, 127, D24/147; 433/31, 41, 82, 84, 90-92, 95-96, 433/136, 141, 140

See application file for complete search history.

(56) **References Cited**

**U.S. PATENT DOCUMENTS**

2,529,499	A *	11/1950	Jankelson	.....	433/96
2,574,135	A *	11/1951	Ward	.....	433/96
3,541,583	A *	11/1970	Deuschle	.....	433/96
D236,920	S *	9/1975	Sheridan	.....	D24/112
D241,984	S *	10/1976	Lahay	.....	D24/127
5,441,410	A *	8/1995	Segerdal	.....	D24/176
5,690,487	A *	11/1997	Whitehouse et al.	.....	433/91
6,602,072	B2 *	8/2003	Burney	.....	433/96
7,172,419	B2 *	2/2007	Hasegawa	.....	433/91
7,335,023	B2 *	2/2008	Mahlmann	.....	433/96

D677,379 S \* 3/2013 Orsing ..... D24/112  
2006/0088800 A1 \* 4/2006 Neff et al. .... 433/91

\* cited by examiner

*Primary Examiner* — Wan Laymon

(74) *Attorney, Agent, or Firm* — Barry Choobin; Patent 360 LLC

(57) **CLAIM**

The ornamental design for a dental suction tip bearing internal spiral rotary head, substantially as shown and described.

**DESCRIPTION**

FIG. 1 is a top, side perspective view of the complete dental suction tip bearing internal spiral rotary head.

FIG. 2 is a bottom-side perspective view of the dental suction tip bearing internal spiral rotary head assembly.

FIG. 3 is a cross-section of the inner member of dental suction tip bearing internal spiral rotary head along the plane of lines 3-3 of FIG. 2.

FIG. 4 is a left-side view of the complete dental suction tip bearing internal spiral rotary head.

FIG. 5 is a right-side view of the complete dental suction tip bearing internal spiral rotary head.

FIG. 6 is a front-side view of the complete dental suction tip bearing internal spiral rotary head.

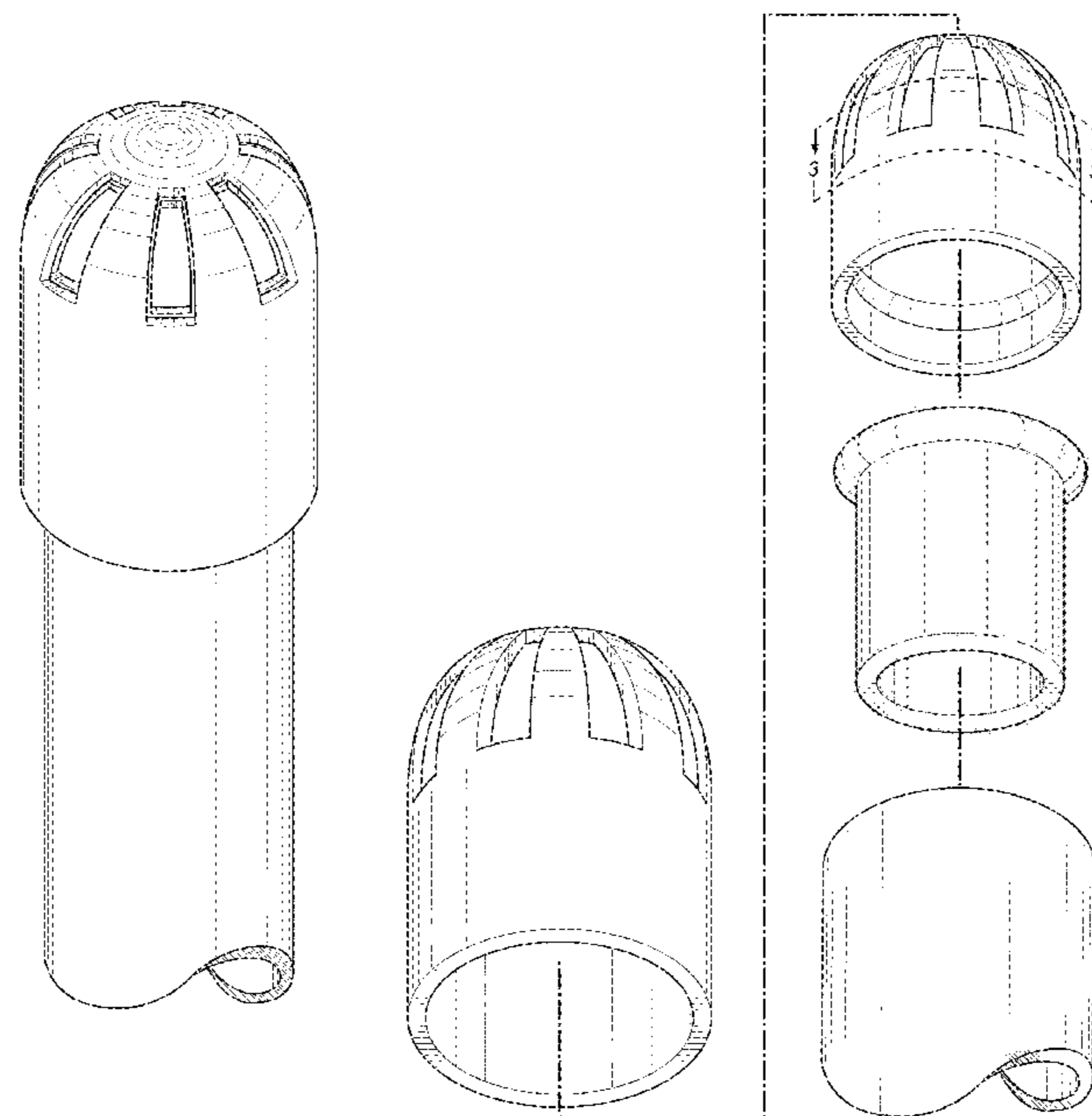
FIG. 7 is a rear-side view of the complete dental suction tip bearing internal spiral rotary head.

FIG. 8 is a top-side view of the complete dental suction tip bearing internal spiral rotary head.

FIG. 9 is a bottom-side view of the complete dental suction tip bearing internal spiral rotary head; and,

FIG. 10 is a cross-section of the complete dental suction tip bearing internal spiral rotary head along the plane of lines 10-10 of FIG. 7.

**1 Claim, 6 Drawing Sheets**



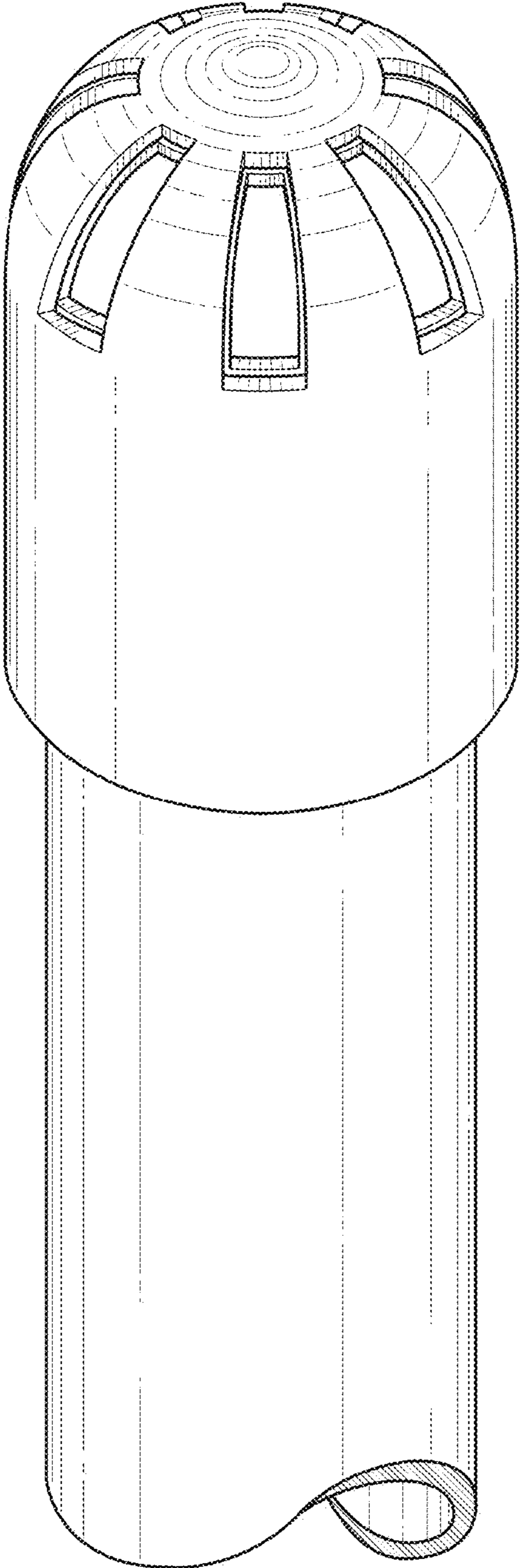


FIG. 1

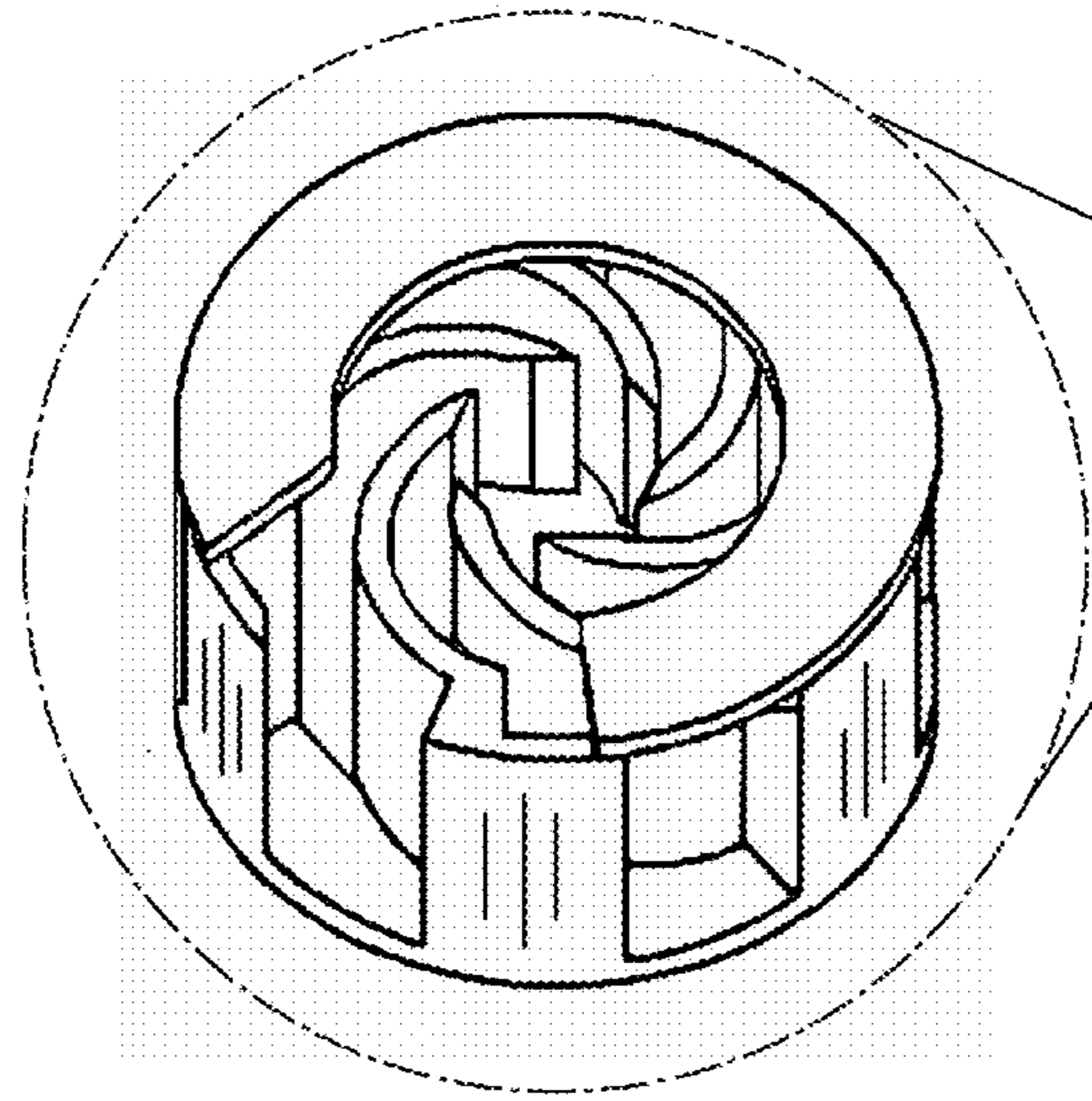


FIG. 3

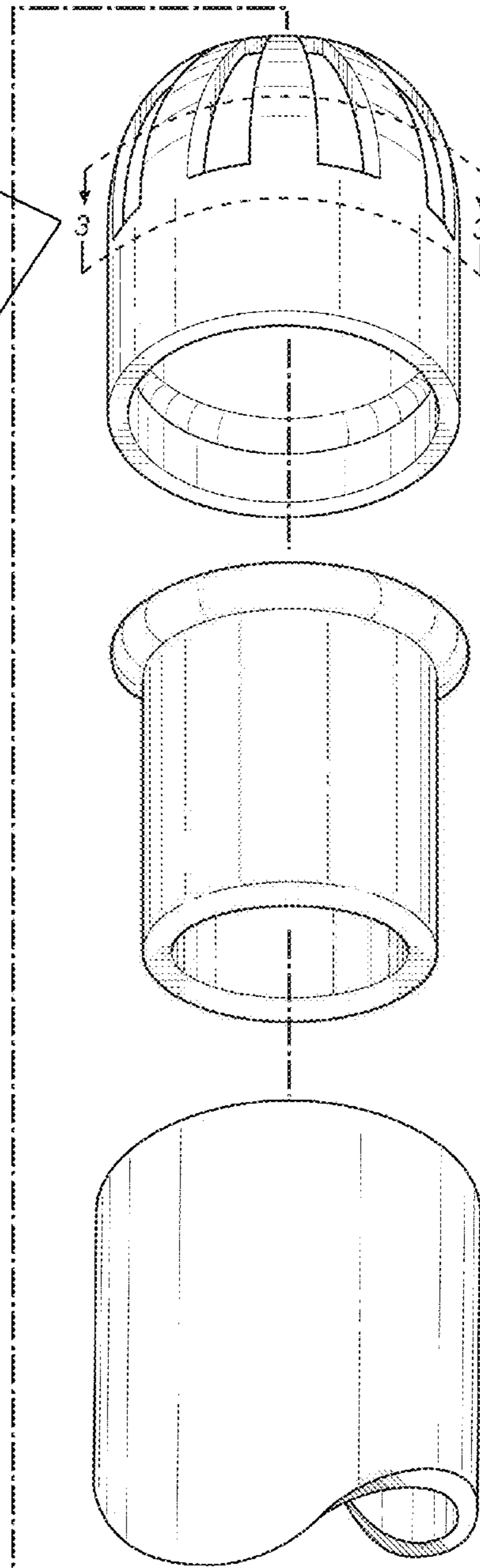


FIG. 2

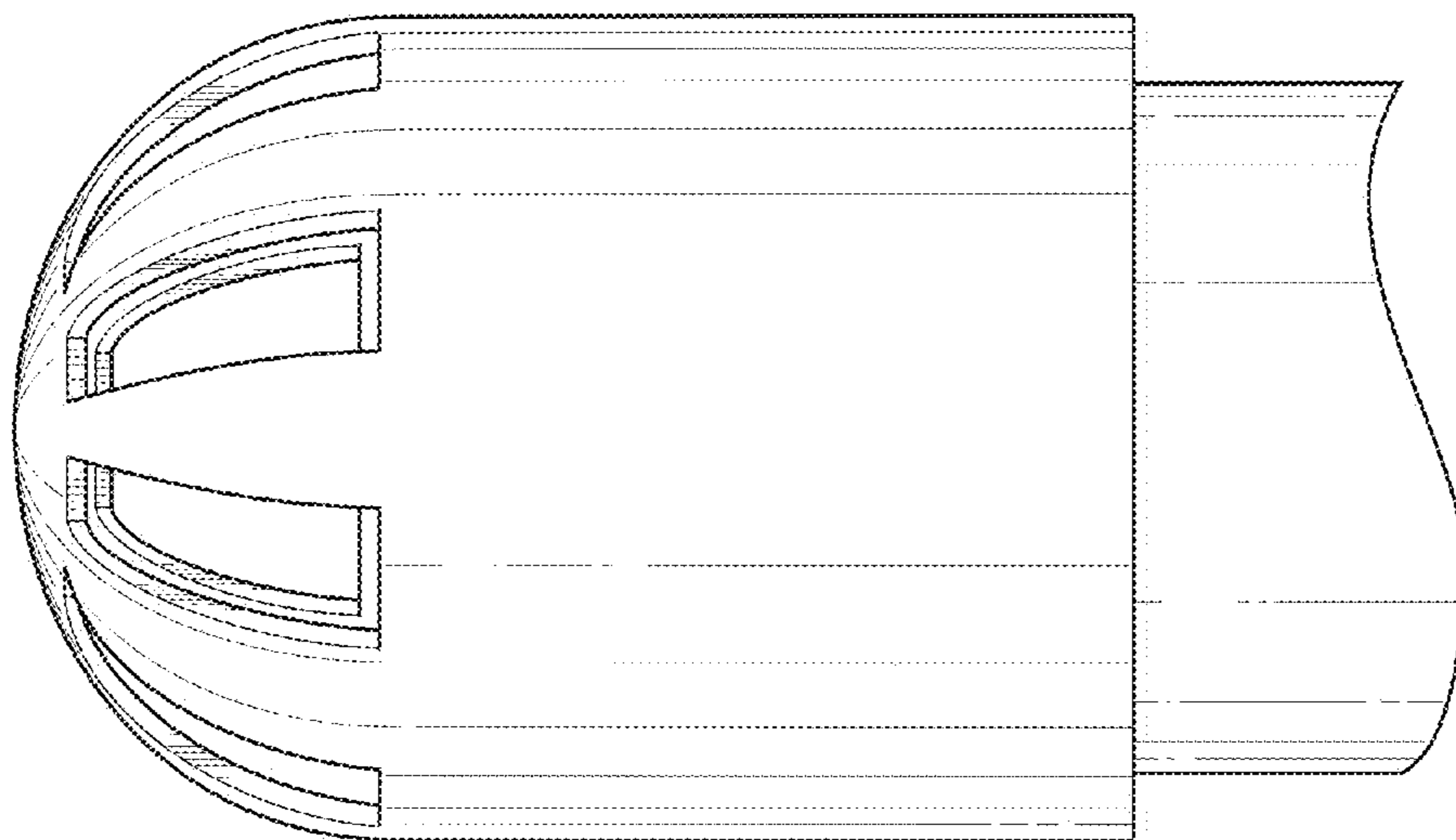


FIG. 5

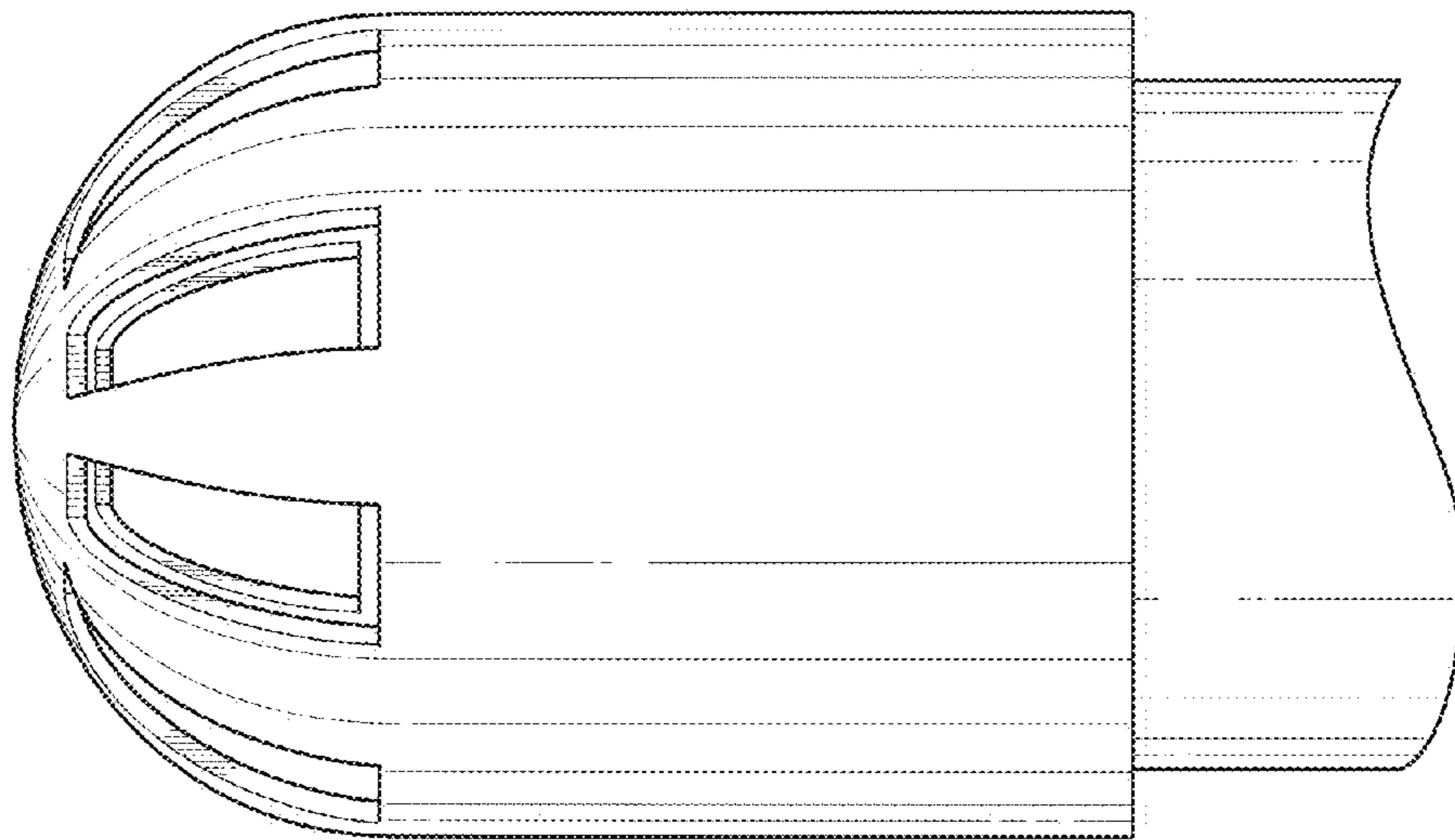


FIG. 4

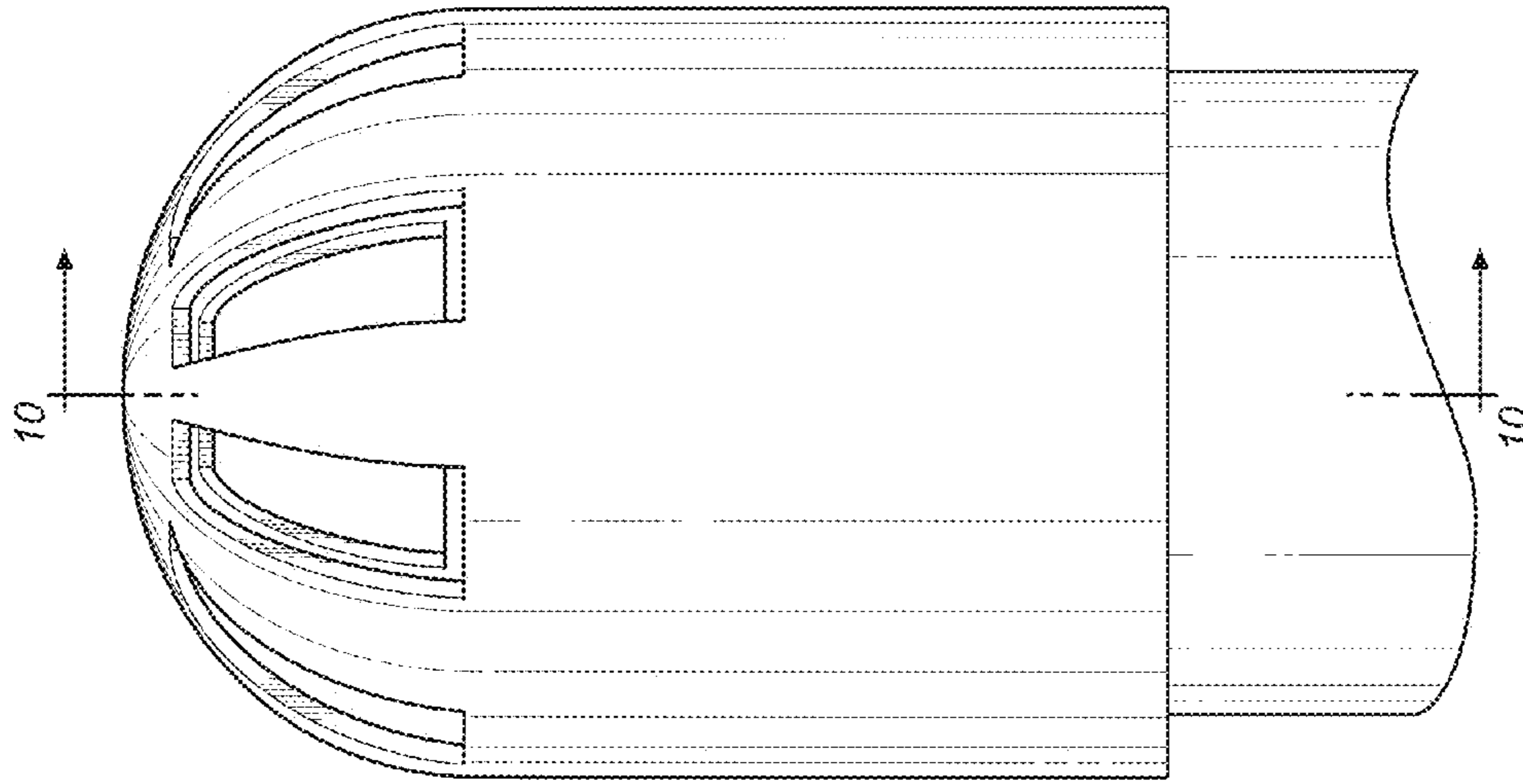


FIG. 6

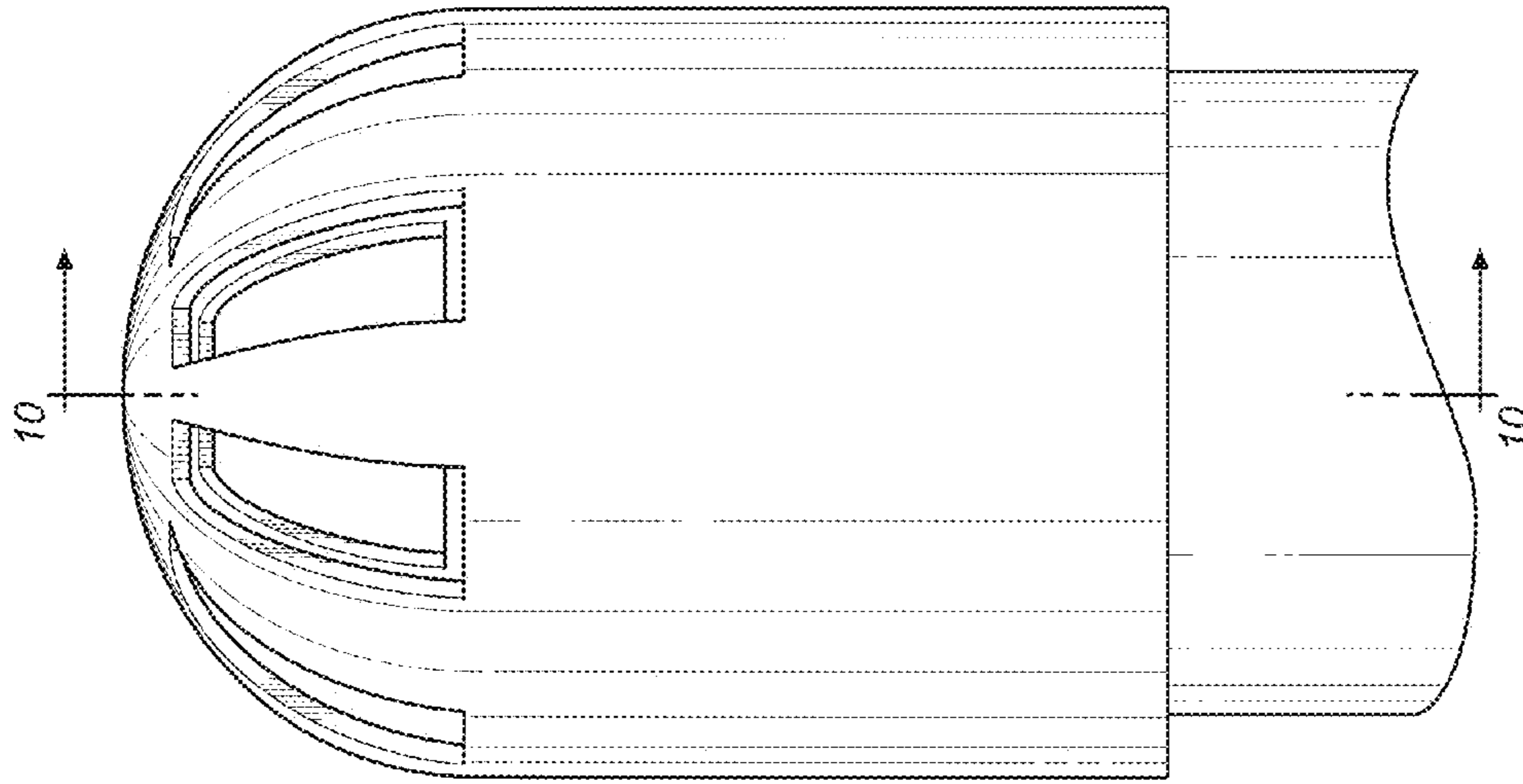
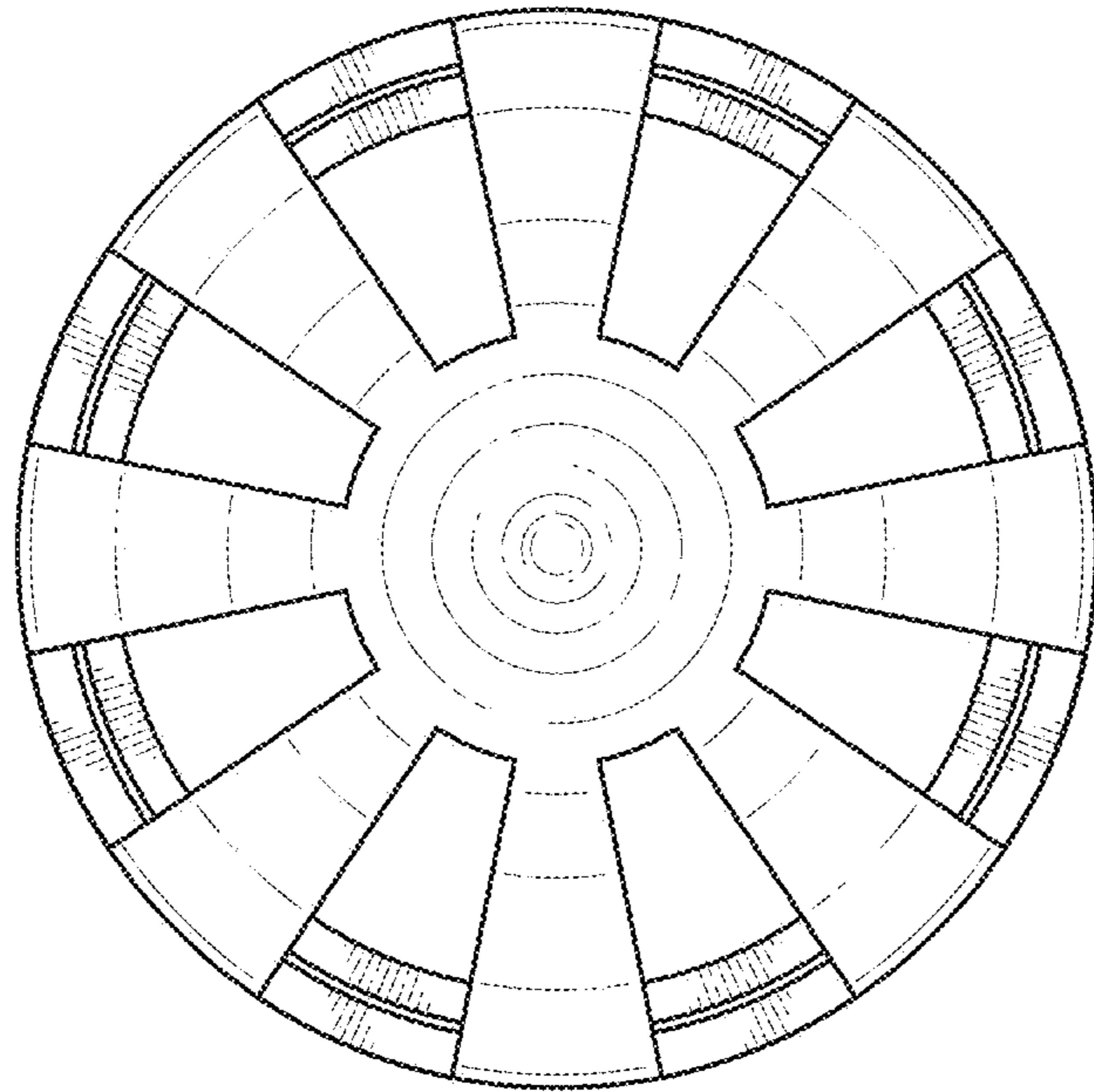
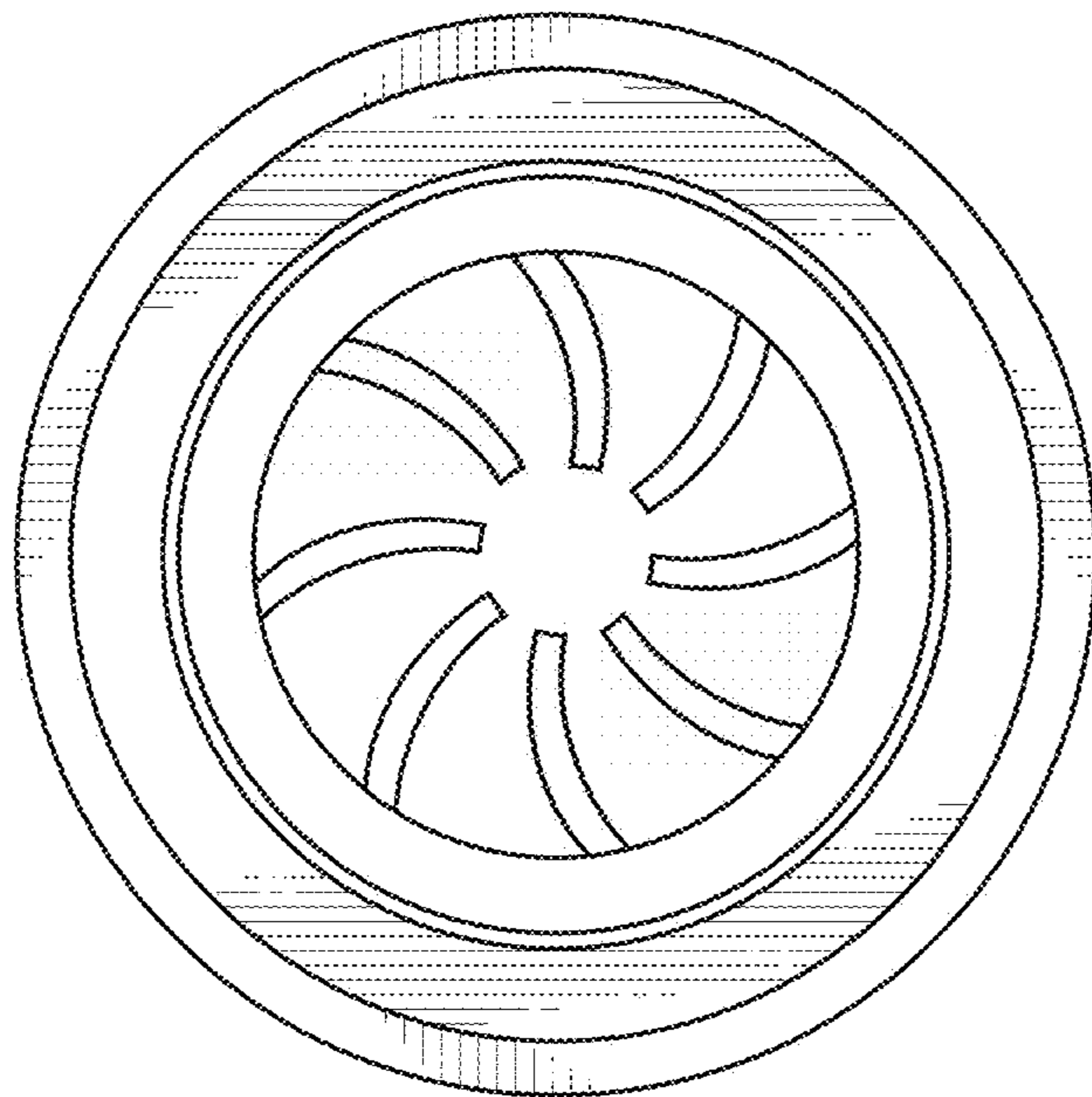


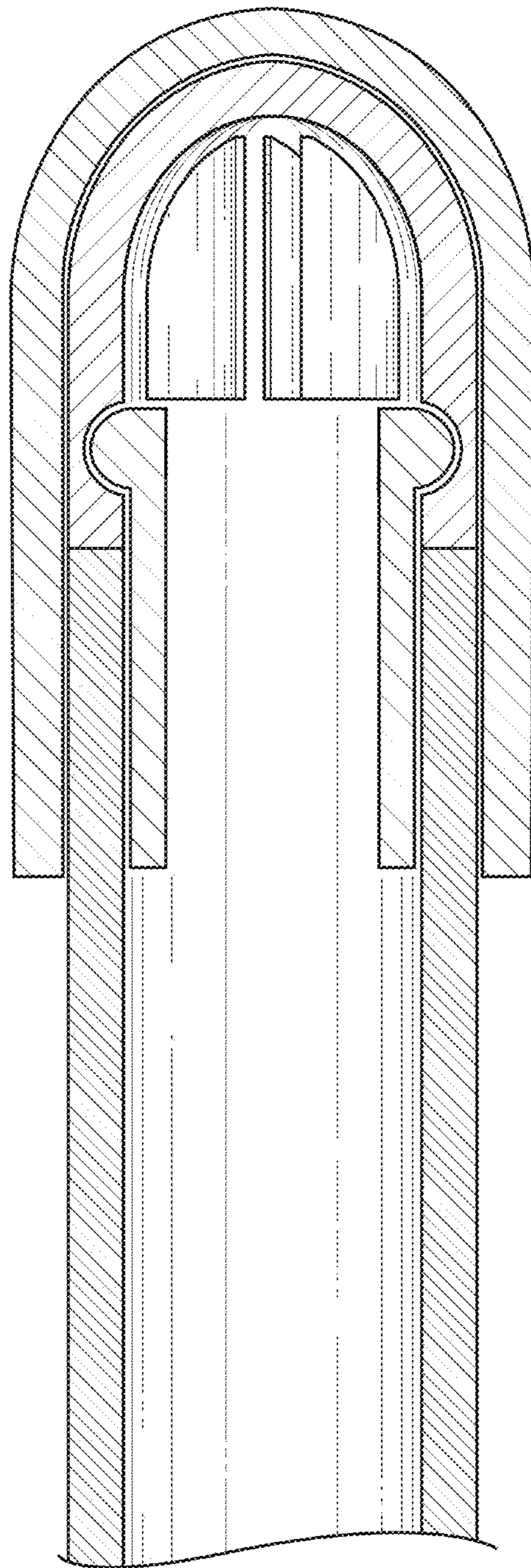
FIG. 7



**FIG. 8**



**FIG. 9**



**FIG. 10**