



US00D692139S

(12) **United States Design Patent**
Charles

(10) **Patent No.:** **US D692,139 S**
(45) **Date of Patent:** **** Oct. 22, 2013**

- (54) **ARTICULATED IMAGING DEVICE**
- (71) Applicant: **Donald Charles**, Weed, CA (US)
- (72) Inventor: **Donald Charles**, Weed, CA (US)
- (**) Term: **14 Years**
- (21) Appl. No.: **29/458,597**
- (22) Filed: **Jun. 20, 2013**

6,141,580	A *	10/2000	Hayashi et al.	600/422
D470,589	S *	2/2003	Choi et al.	D24/158
6,684,096	B2 *	1/2004	Schmit et al.	600/415
D492,997	S *	7/2004	DiStasio	D24/158
D495,240	S *	8/2004	Mnich et al.	D8/355
6,826,254	B2 *	11/2004	Mihara et al.	378/64
7,098,660	B2 *	8/2006	Contrada et al.	324/318
7,394,256	B2 *	7/2008	Schubert et al.	324/321
D583,951	S *	12/2008	Lewis	D24/177
D624,186	S *	9/2010	Youn	D24/158
D679,016	S *	3/2013	Jarva	D24/158
8,424,833	B2 *	4/2013	Muller et al.	248/639
D685,478	S *	7/2013	Lomas et al.	D24/158
2010/0198052	A1 *	8/2010	Jenkins et al.	600/417

Related U.S. Application Data

- (63) Continuation-in-part of application No. 29/439,038, filed on Dec. 5, 2012, now Pat. No. Des. 685,479.
- (51) **LOC (9) Cl.** **24-01**
- (52) **U.S. Cl.**
USPC **D24/158**
- (58) **Field of Classification Search**
USPC D24/158-161, 185, 186; D8/375;
D14/447, 451, 452; 248/277.1, 278.1,
248/281.11, 284.1; 378/38, 168, 170, 195,
378/196, 205
See application file for complete search history.

* cited by examiner

Primary Examiner — Anhdao Doan

(74) *Attorney, Agent, or Firm* — QuickPatents; Kevin Prince

(57) **CLAIM**

I claim the ornamental design for an articulated imaging device, as shown and described.

DESCRIPTION

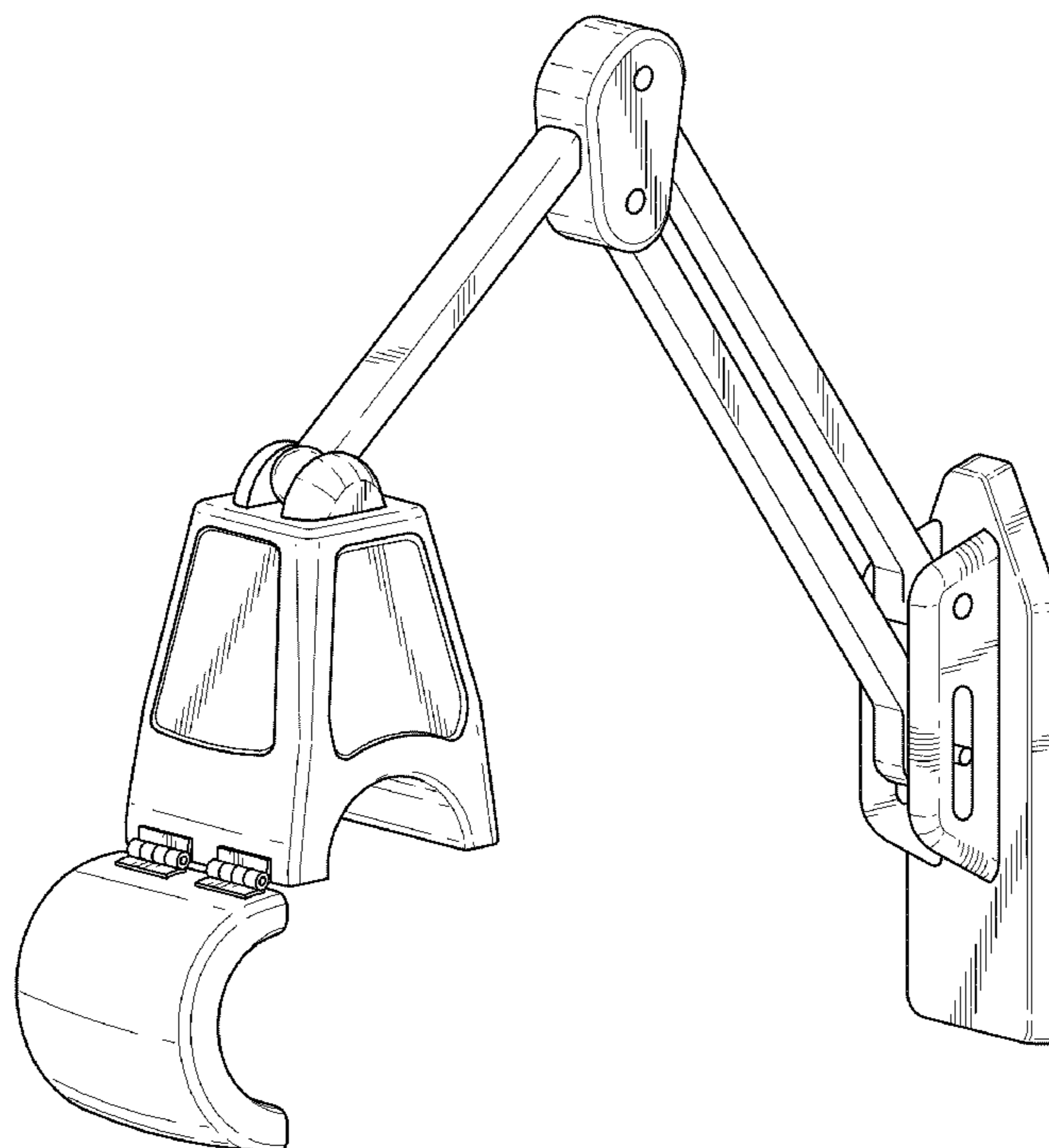
FIG. 1 is a perspective view of an articulated imaging device, showing my new design in an open position;
 FIG. 2 is a right-side elevational view of FIG. 1, the left-side elevational view being a mirror image thereof;
 FIG. 3 is a front elevational view of FIG. 1;
 FIG. 4 is a rear elevational view of FIG. 1;
 FIG. 5 is a top plan view of FIG. 1;
 FIG. 6 is a bottom plan view of FIG. 1; and,
 FIG. 7 is a perspective view thereof, illustrated in a closed position.

1 Claim, 5 Drawing Sheets

(56) **References Cited**

U.S. PATENT DOCUMENTS

D181,521	S *	11/1957	Ensign et al.	D24/158
D246,534	S *	11/1977	Buckley	D24/177
4,166,602	A *	9/1979	Nilsen et al.	248/280.11
4,590,695	A *	5/1986	McGillivray	38/102.2
D290,500	S *	6/1987	Makas et al.	D24/158
5,003,278	A *	3/1991	May	336/92
5,435,302	A *	7/1995	Lenkinski et al.	600/422



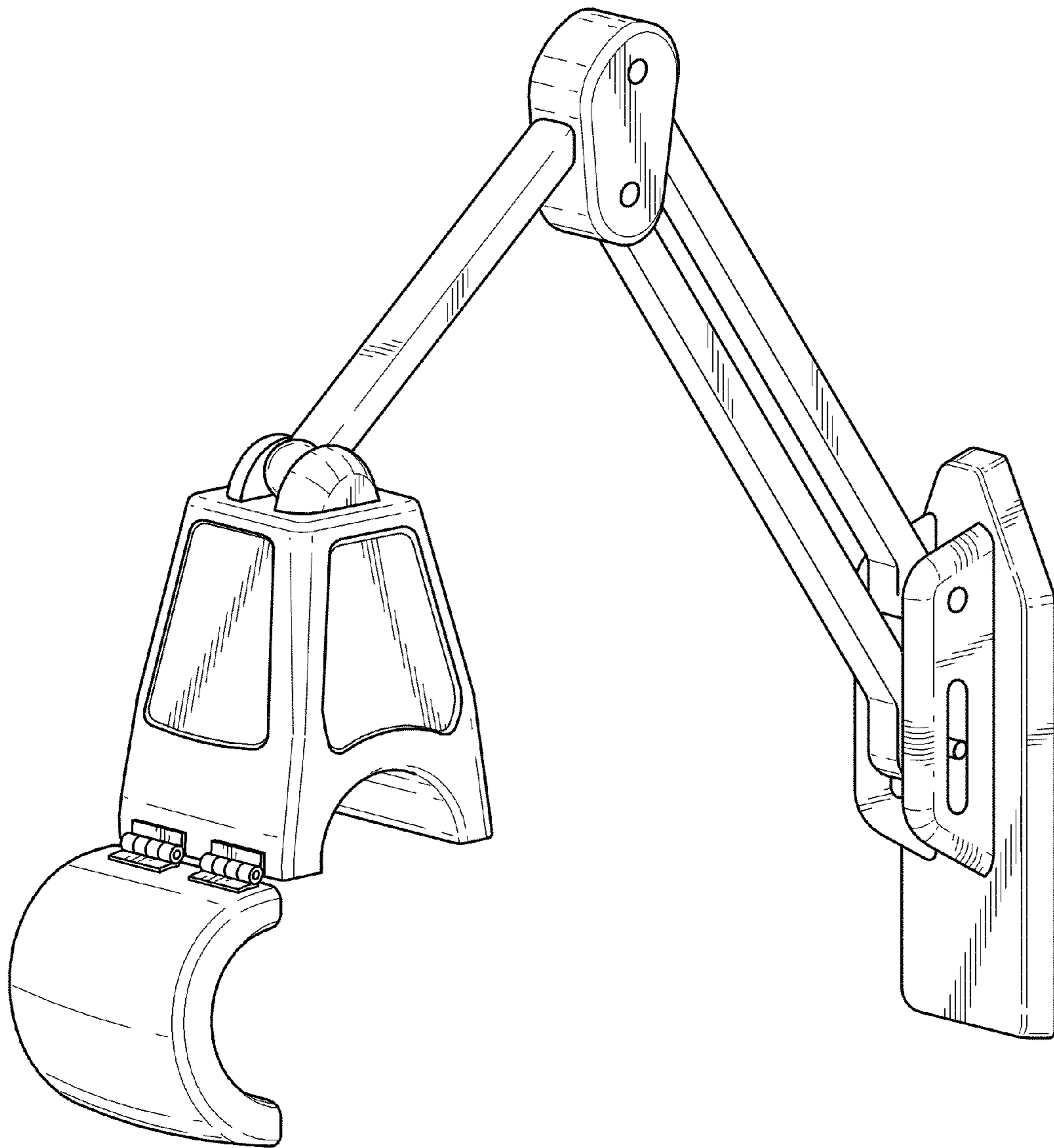


FIG. 1

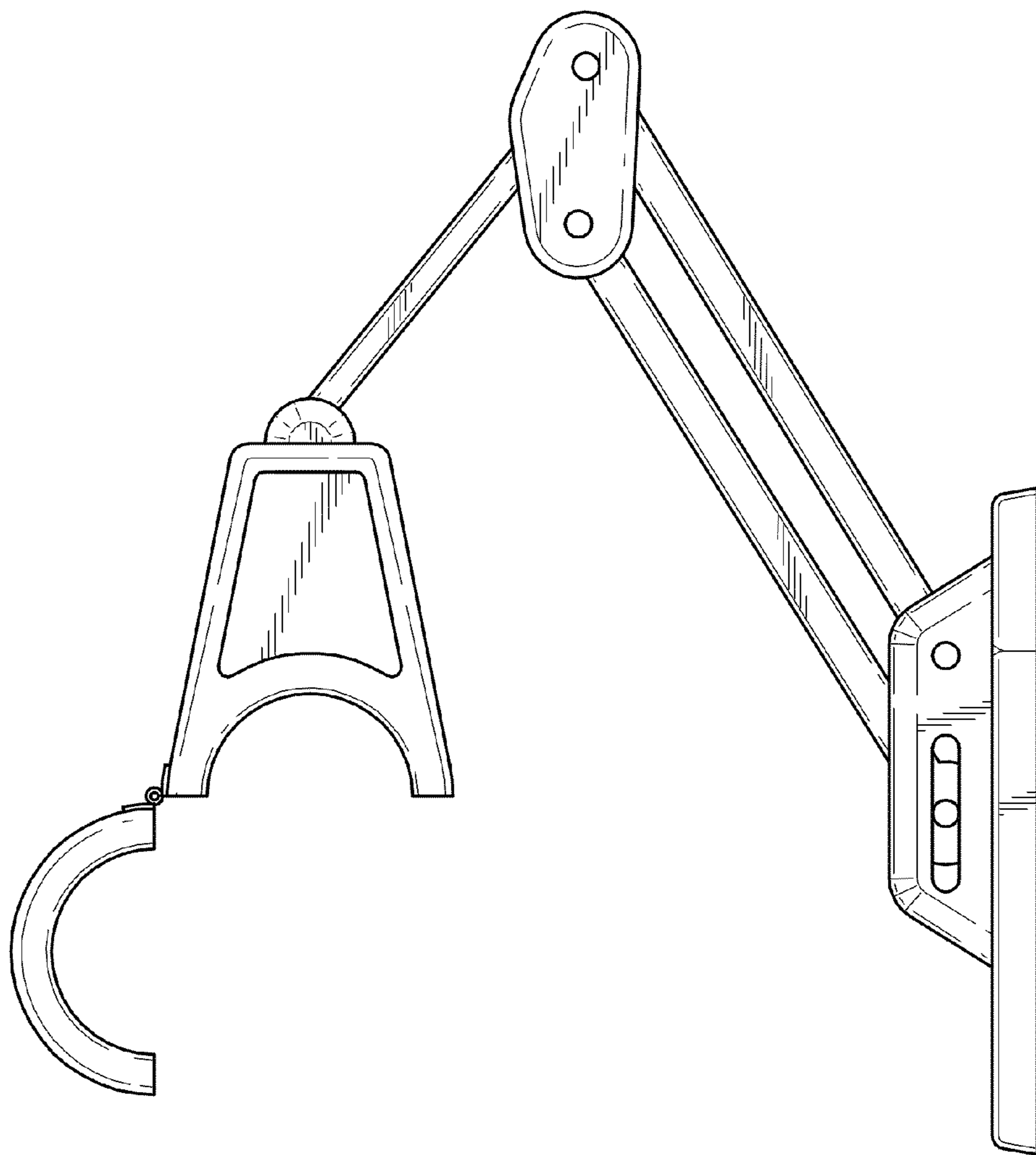


FIG. 2

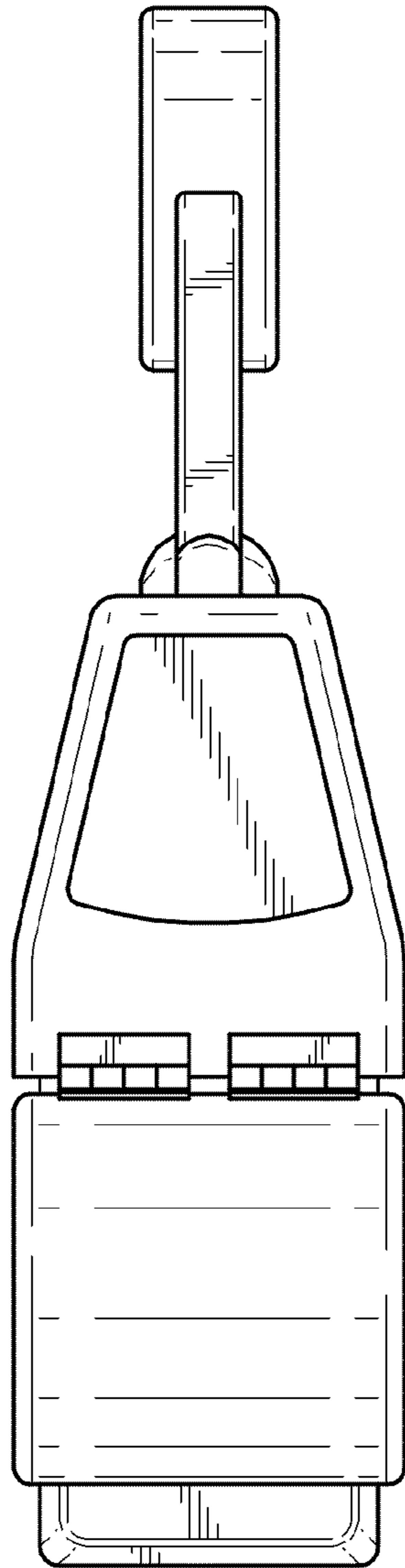


FIG. 3

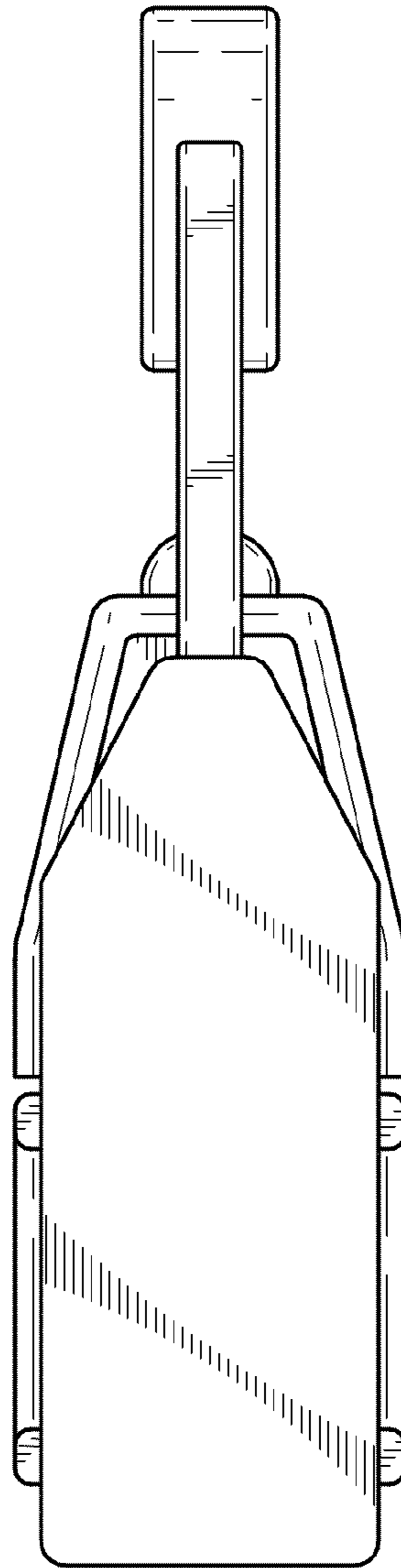


FIG. 4

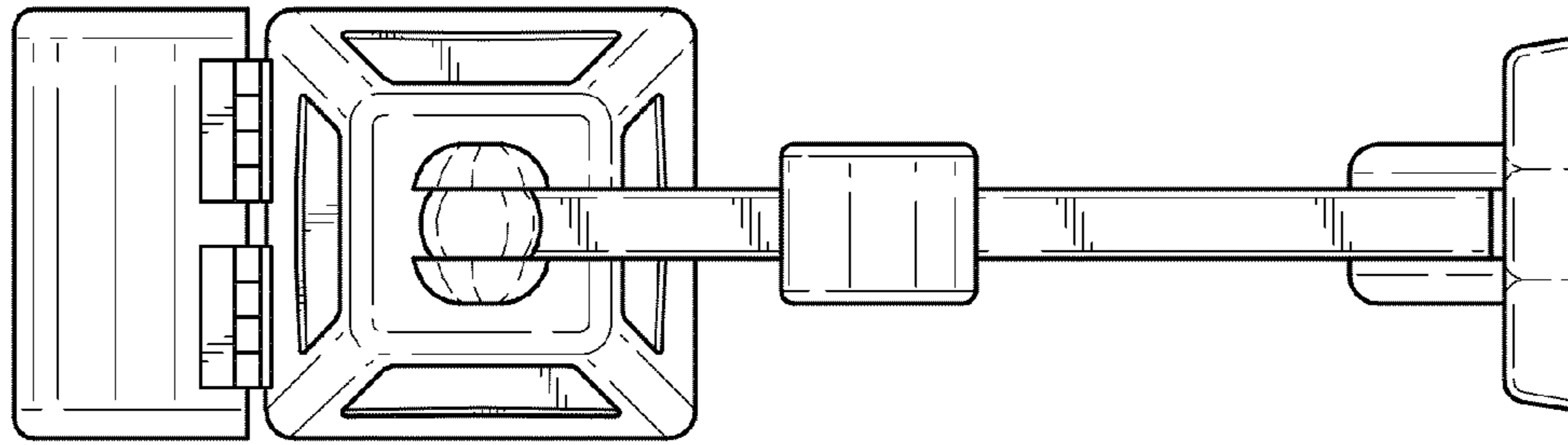


FIG. 5

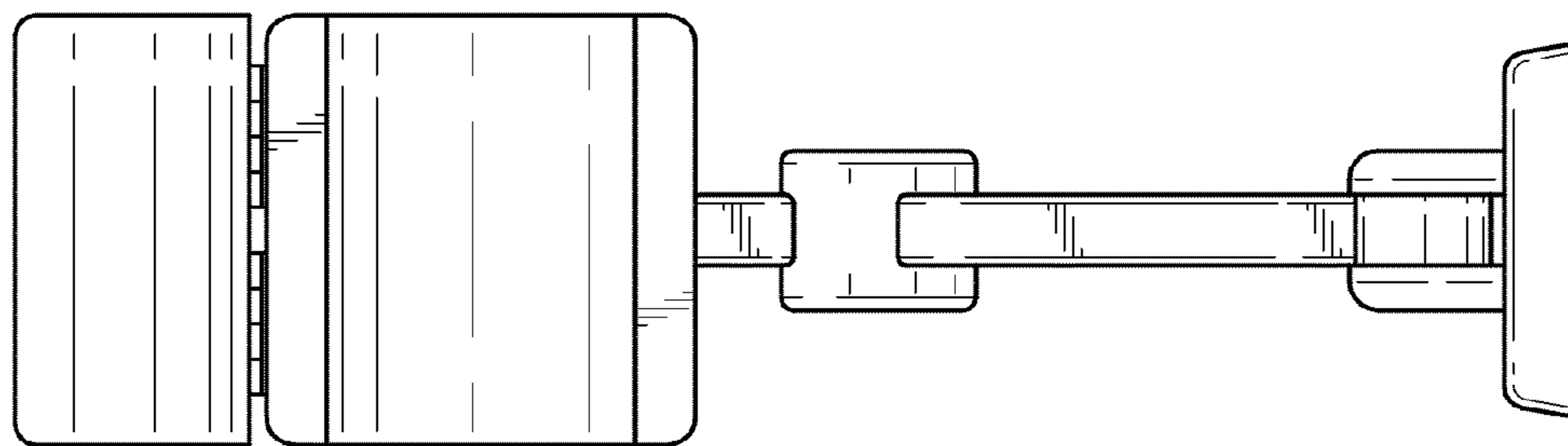


FIG. 6

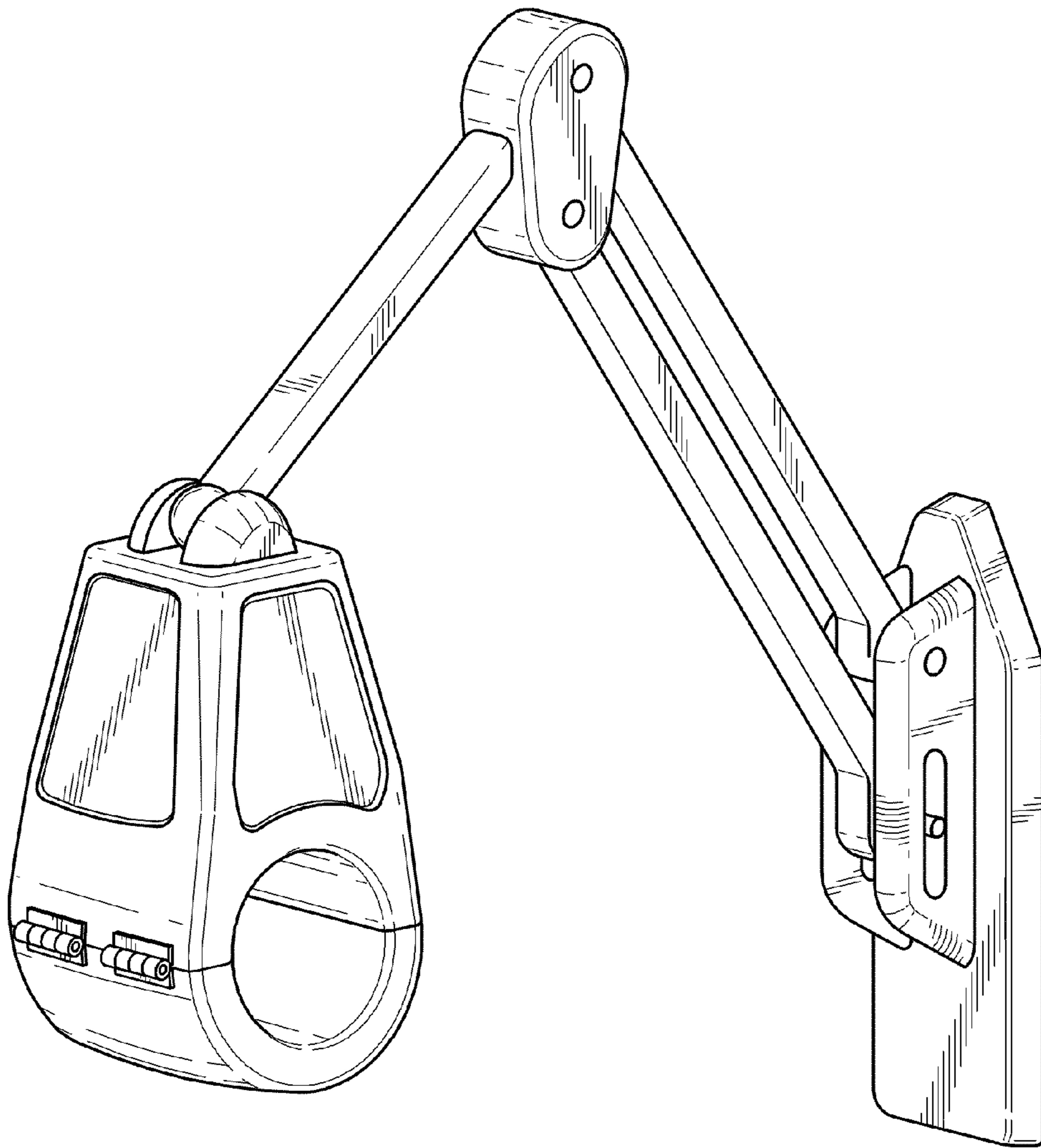


FIG. 7