



US00D692136S

(12) **United States Design Patent**  
**Tyber**

(10) **Patent No.:** **US D692,136 S**

(45) **Date of Patent:** **\*\* Oct. 22, 2013**

(54) **INTERVERTEBRAL IMPLANT**

(71) Applicant: **Jeffrey Tyber**, Denville, NJ (US)

(72) Inventor: **Jeffrey Tyber**, Denville, NJ (US)

(73) Assignee: **Tyber Medical, LLC**, Morristown, NJ (US)

(\*\*) Term: **14 Years**

(21) Appl. No.: **29/435,070**

(22) Filed: **Oct. 19, 2012**

(51) **LOC (9) Cl.** ..... **24-02**

(52) **U.S. Cl.**  
USPC ..... **D24/155**

(58) **Field of Classification Search**  
USPC ..... D24/155, 133, 135; 623/17.15, 17.16,  
623/17.12; 604/500; 606/61  
See application file for complete search history.

(56) **References Cited**

**U.S. PATENT DOCUMENTS**

D553,742 S	*	10/2007	Park	.....	D24/155
D580,552 S	*	11/2008	Cohen et al.	.....	D24/155
D595,853 S	*	7/2009	Hanson et al.	.....	D24/155
D611,147 S	*	3/2010	Hanson et al.	.....	D24/155
D615,653 S	*	5/2010	Horton	.....	D24/155

D623,747 S	*	9/2010	Horton	.....	D24/155
D623,748 S	*	9/2010	Horton et al.	.....	D24/155
D623,749 S	*	9/2010	Horton et al.	.....	D24/155
D627,468 S	*	11/2010	Richter et al.	.....	D24/155
D631,967 S	*	2/2011	Horton	.....	D24/155
D637,721 S	*	5/2011	Horton	.....	D24/155

\* cited by examiner

*Primary Examiner* — Ian Simmons

*Assistant Examiner* — Charles Hanson

(74) *Attorney, Agent, or Firm* — Joseph E. Maenner;  
Maenner & Associates, LLC

(57) **CLAIM**

The ornamental design for an intervertebral implant, as shown and described.

**DESCRIPTION**

FIG. 1 is a perspective view of an ornamental design of an intervertebral implant showing my new design.

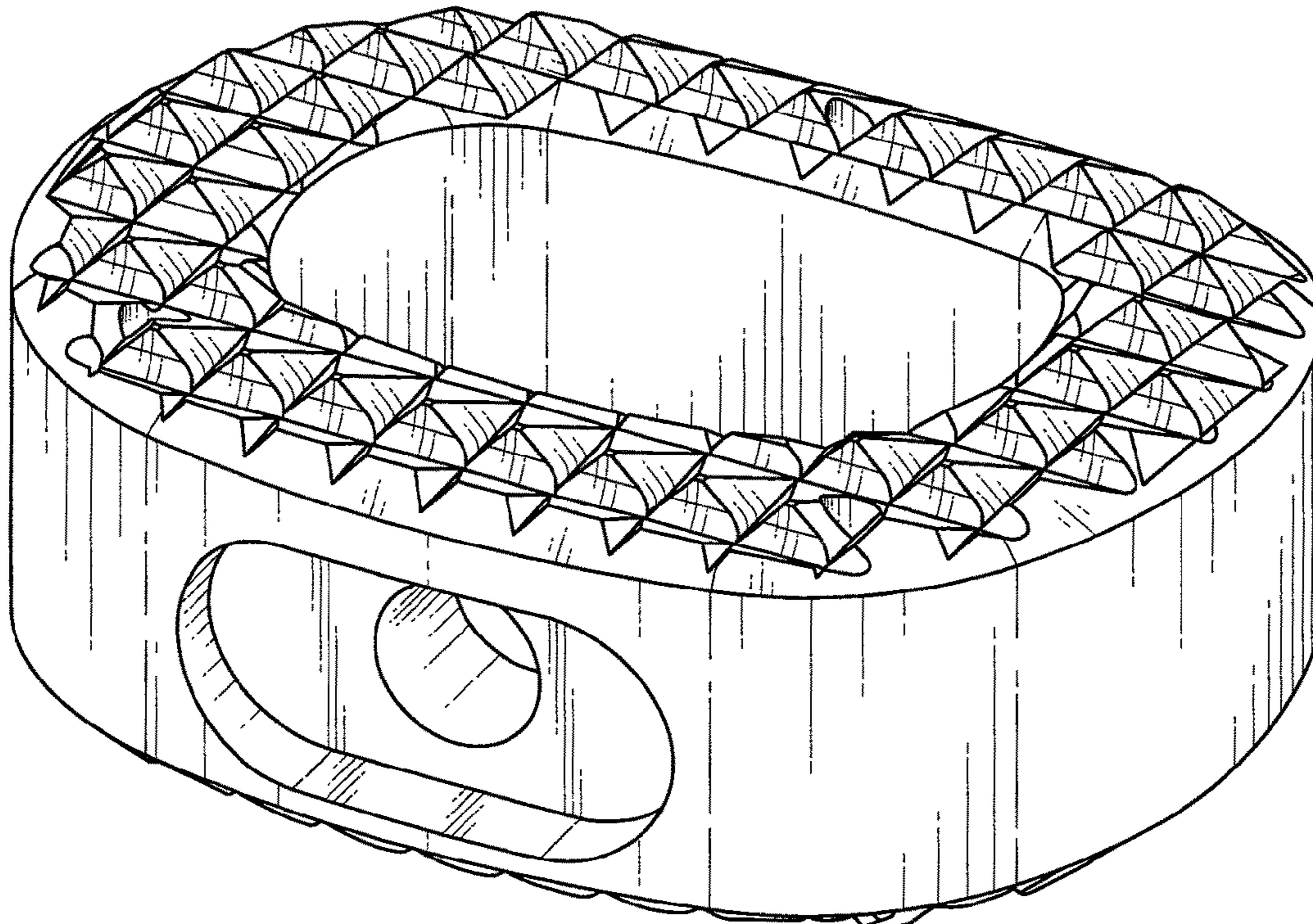
FIG. 2 is a top plan view thereof, the bottom plan view being identical to the top plan view.

FIG. 3 is a front side view thereof.

FIG. 4 is a left side view thereof, the right side view being a mirror image of the left side; and,

FIG. 5 is a rear view thereof.

**1 Claim, 2 Drawing Sheets**



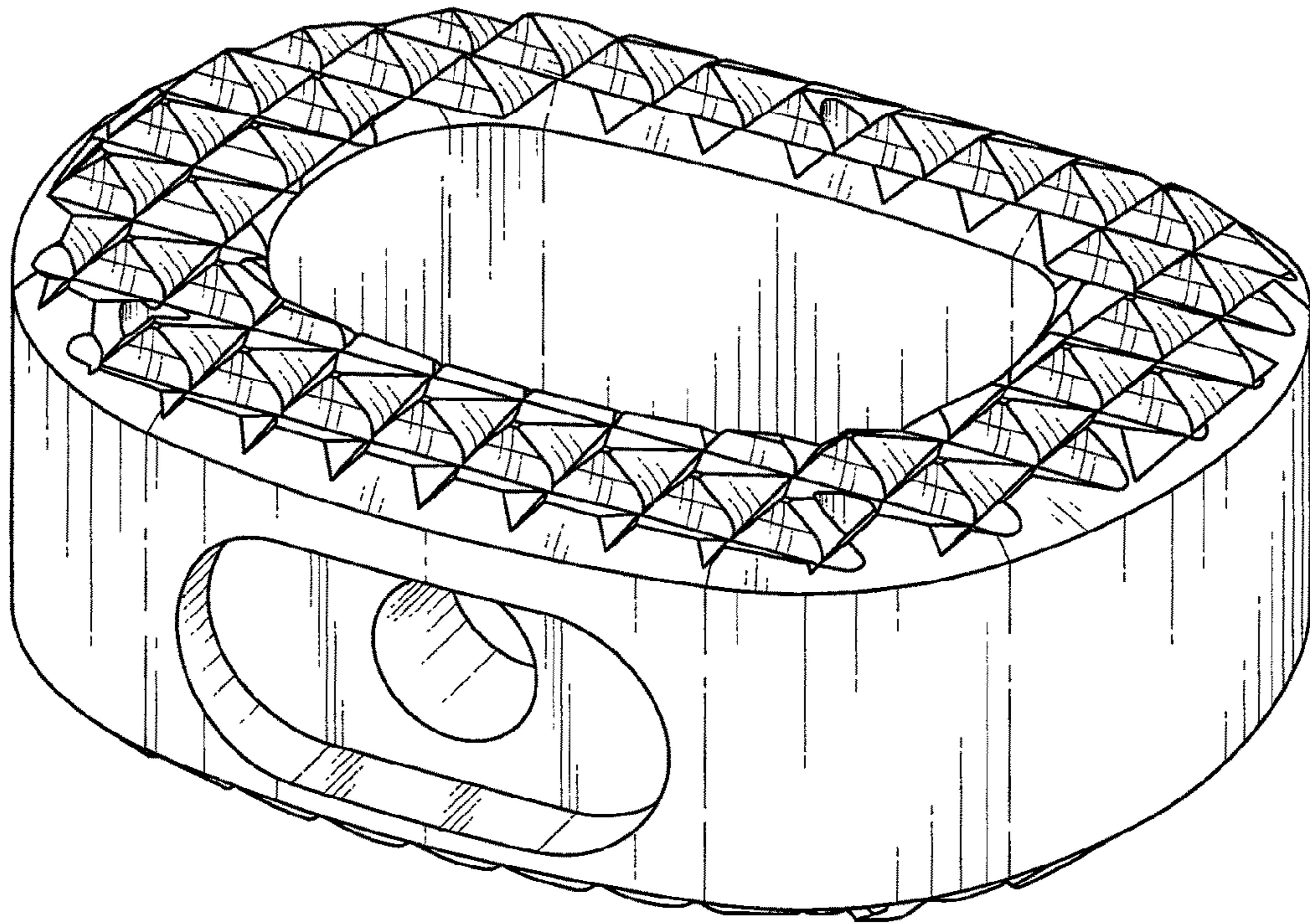


FIG. 1

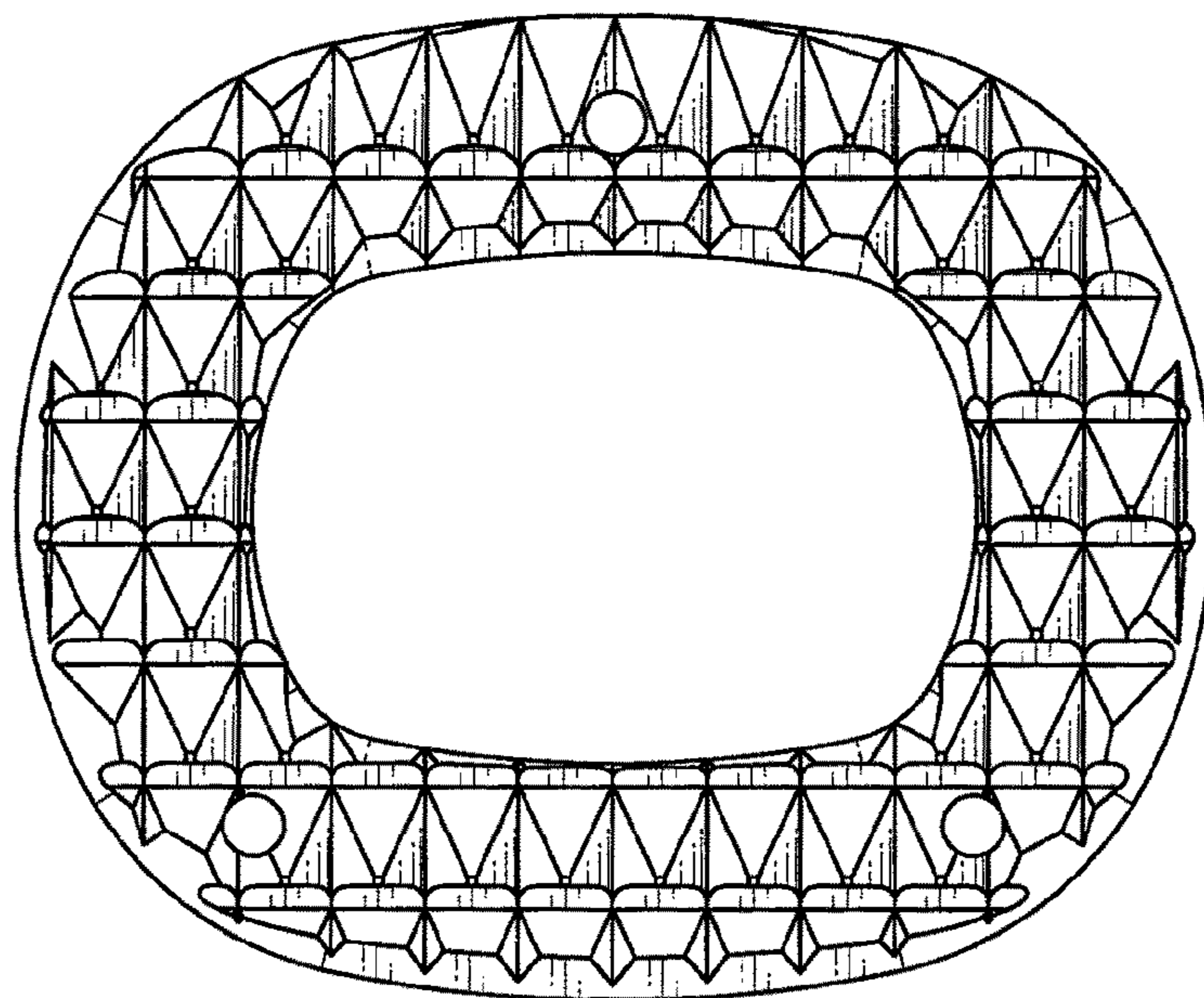


FIG. 2



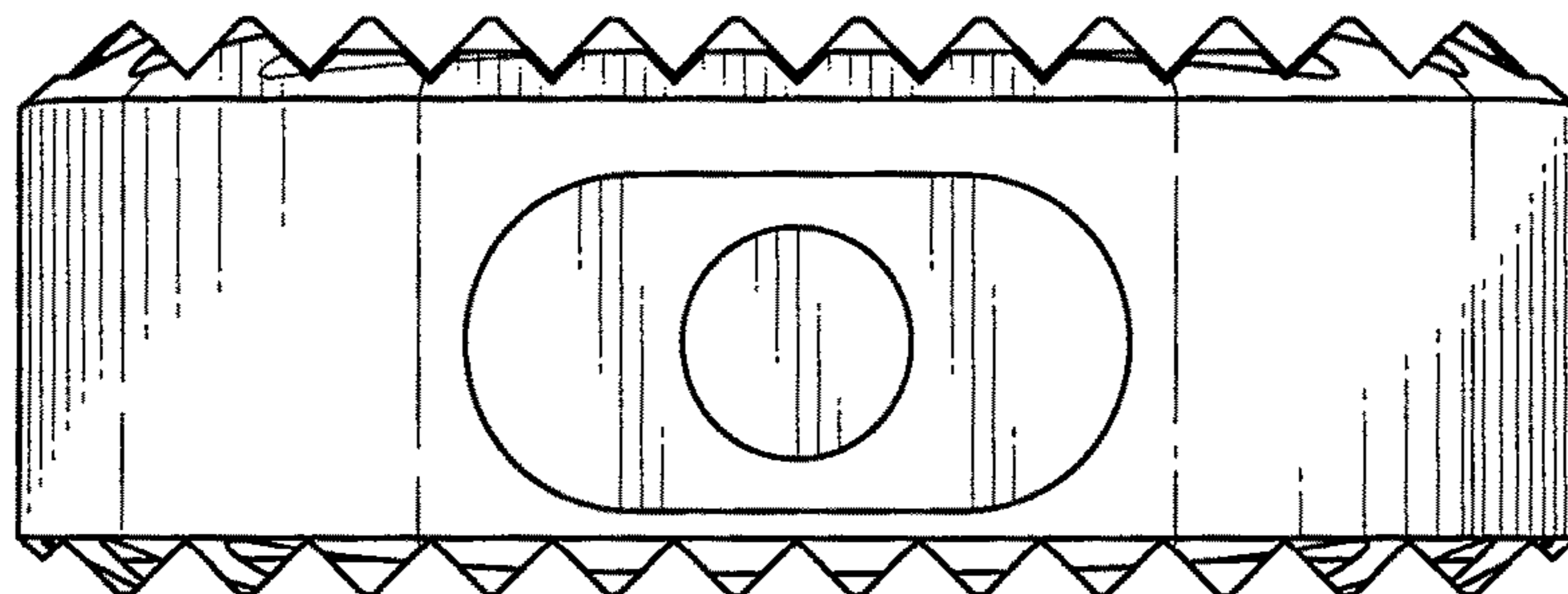


FIG. 3

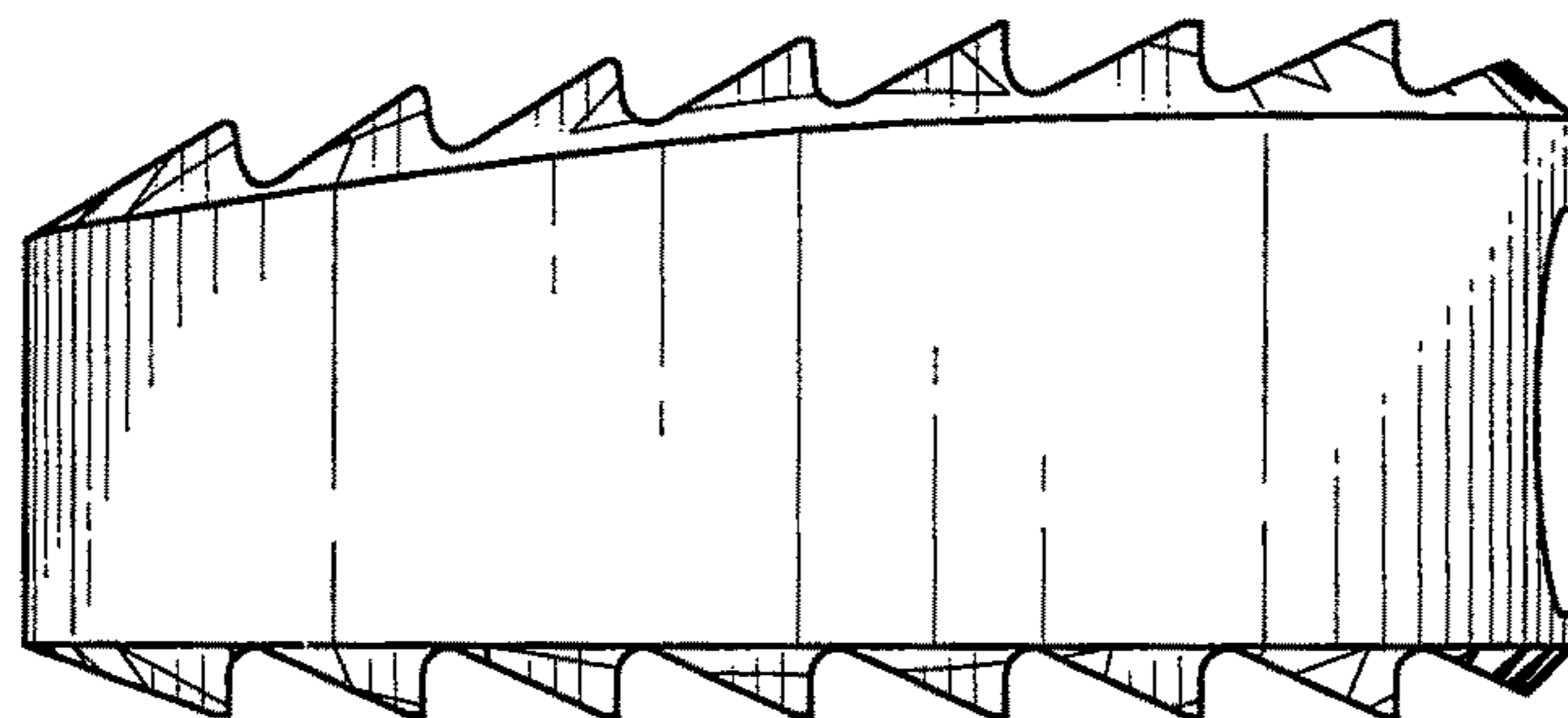


FIG. 4

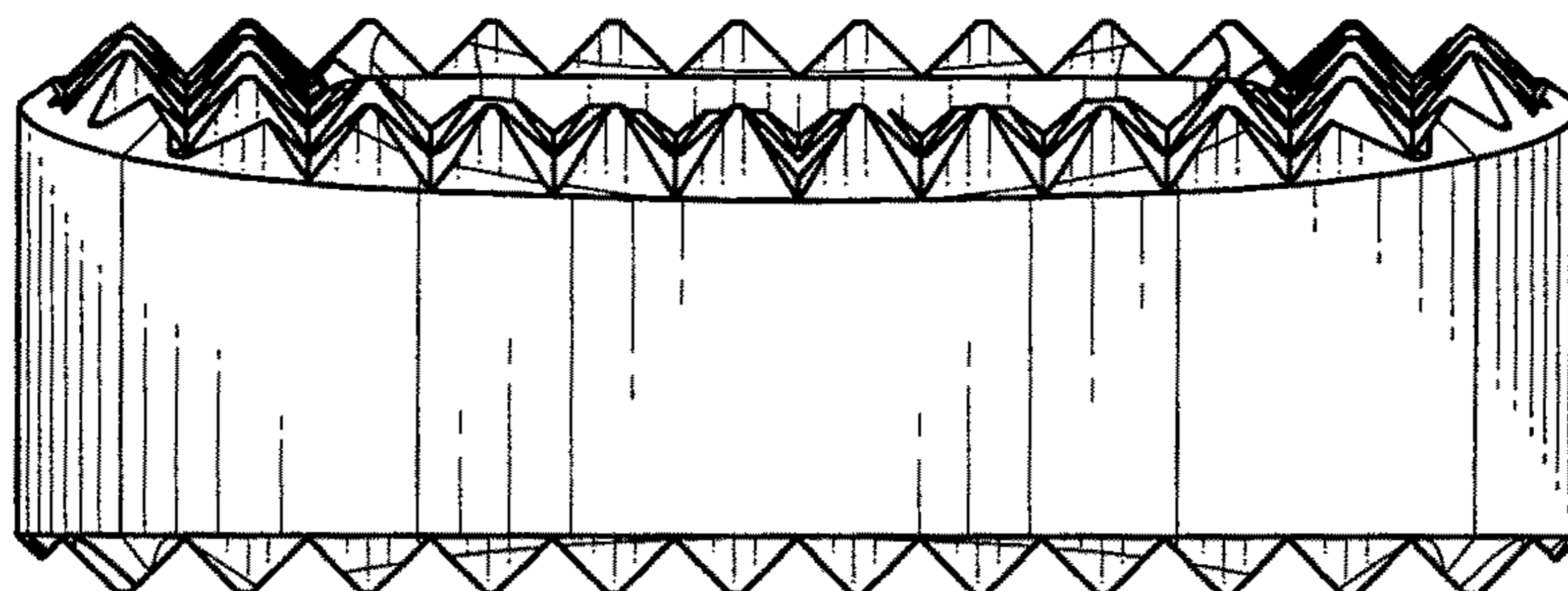


FIG. 5