



US00D692135S

(12) **United States Design Patent**
McHale et al.

(10) **Patent No.:** **US D692,135 S**
(45) **Date of Patent:** **** Oct. 22, 2013**

(54) **INTRAORAL APPARATUS**

(75) Inventors: **William A. McHale**, Collegeville, PA (US); **James C. DiMarino**, Woodbury, NJ (US)

(73) Assignee: **Premier Dental Products Company**, Plymouth Meeting, PA (US)

(**) Term: **14 Years**

(21) Appl. No.: **29/388,778**

(22) Filed: **Apr. 1, 2011**

(51) **LOC (9) Cl.** **24-02**

(52) **U.S. Cl.**
USPC **D24/152**

(58) **Field of Classification Search**
USPC D24/107, 152, 156, 176-177, 181-182;
128/848, 859-860; 433/29, 91, 6, 37,
433/80, 93, 140; 602/902
See application file for complete search history.

(56) **References Cited**

U.S. PATENT DOCUMENTS

2,694,397	A *	11/1954	Herms	D24/176
3,090,122	A *	5/1963	Erickson	433/93
6,338,627	B2 *	1/2002	Hirsch et al.	433/93
6,716,029	B2 *	4/2004	Fischer et al.	433/140
D495,799	S *	9/2004	Hirsch et al.	D24/152
6,877,513	B2 *	4/2005	Scarberry et al.	128/848

6,976,841 B1 * 12/2005 Osterwalder 433/29
D615,203 S * 5/2010 Hirsch et al. D24/152

* cited by examiner

Primary Examiner — Wan Laymon

(74) *Attorney, Agent, or Firm* — Cozen O'Connor

(57) **CLAIM**

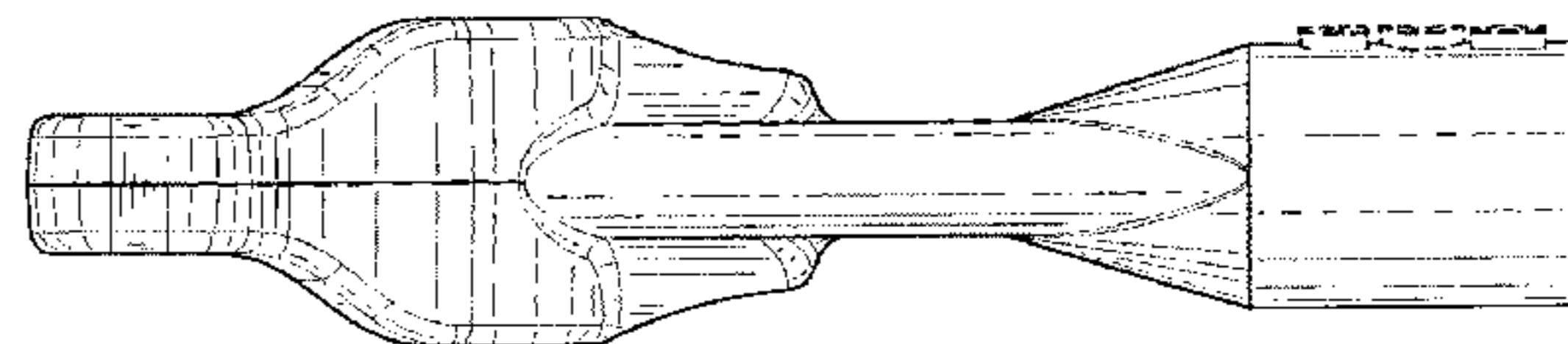
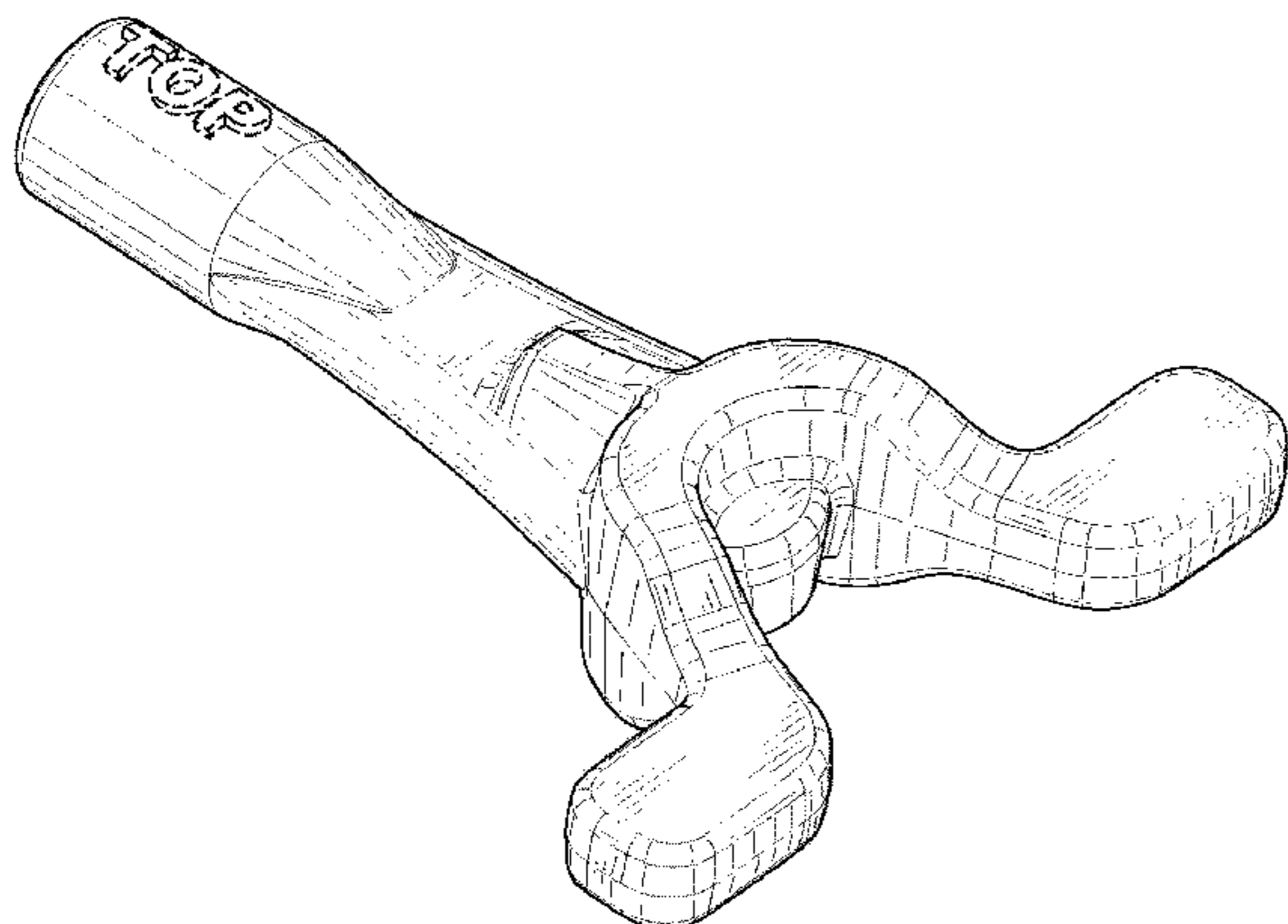
The ornamental design for an intraoral apparatus, as shown and described.

DESCRIPTION

FIG. 1 is a perspective view of the intraoral apparatus in accordance with our new design;
FIG. 2 is a top plan view thereof;
FIG. 3 is a bottom plan view thereof;
FIG. 4 is a right side elevational view thereof;
FIG. 5 is a left side elevational view thereof;
FIG. 6 is a front side elevational view thereof; and,
FIG. 7 is rear side elevational view thereof.
The broken lines represent the word "TOP" of the intraoral apparatus which are included for the purpose of illustrating environmental structure, and form no part of the claimed design.

The broken lines shown in FIGS. 3 and 6, that are immediately adjacent the shaded areas represent the bounds of the claimed design, while the broken lines represent the word "TOP" of the intraoral apparatus in the figures depict environmental structure and are for illustrative purposes only; the broken lines form no part of the claimed design.

1 Claim, 4 Drawing Sheets



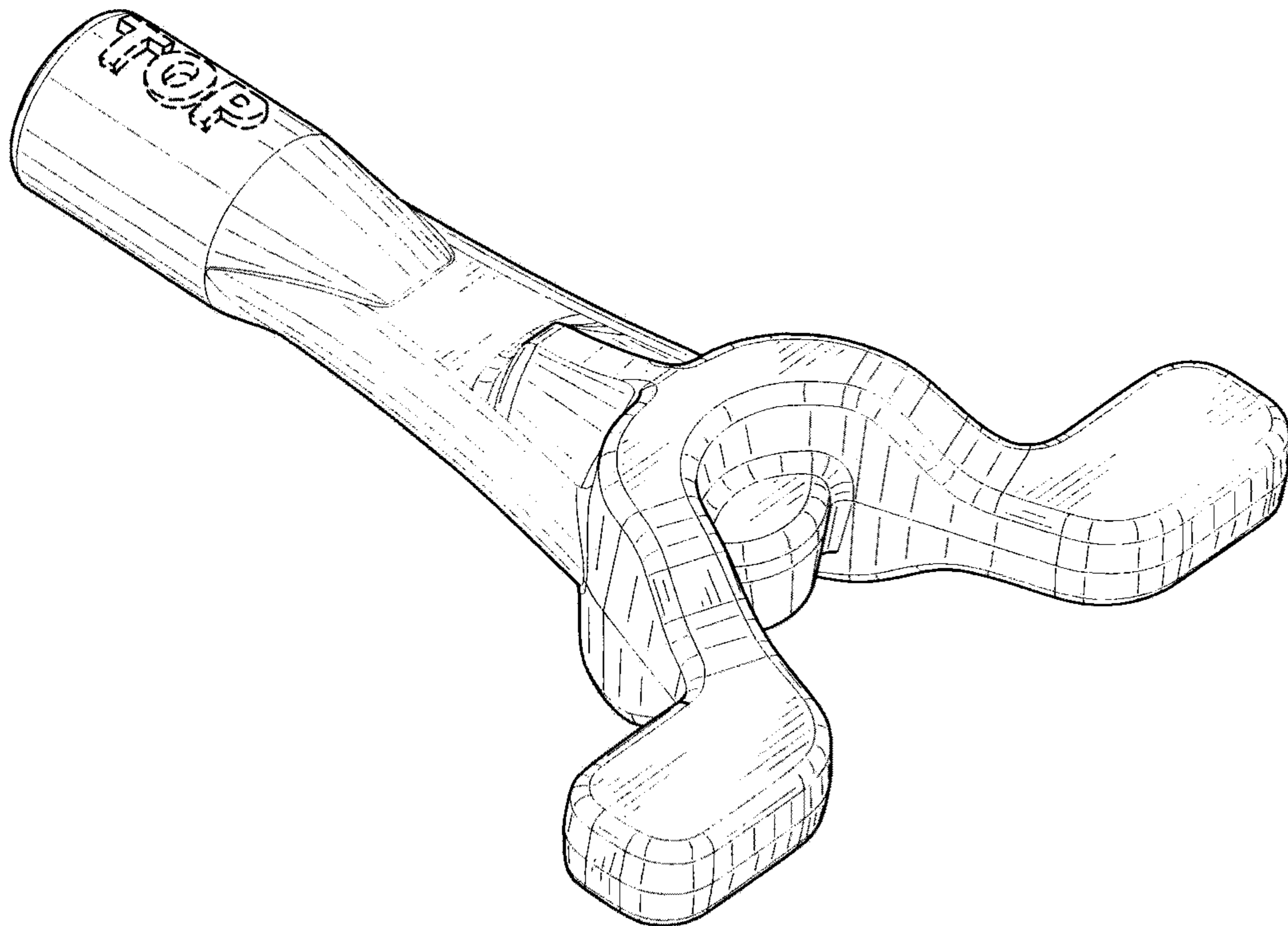


FIG. 1

FIG. 2

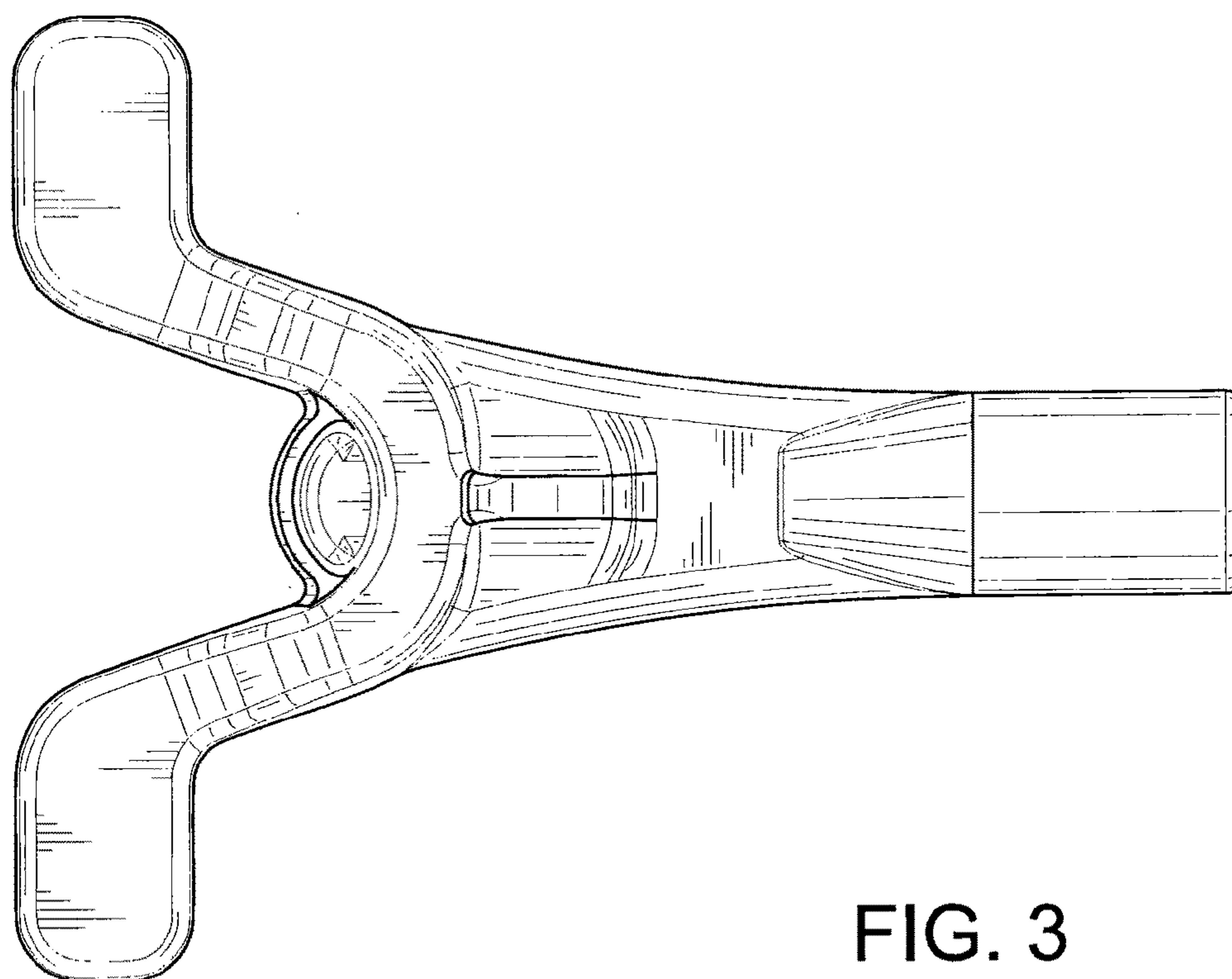
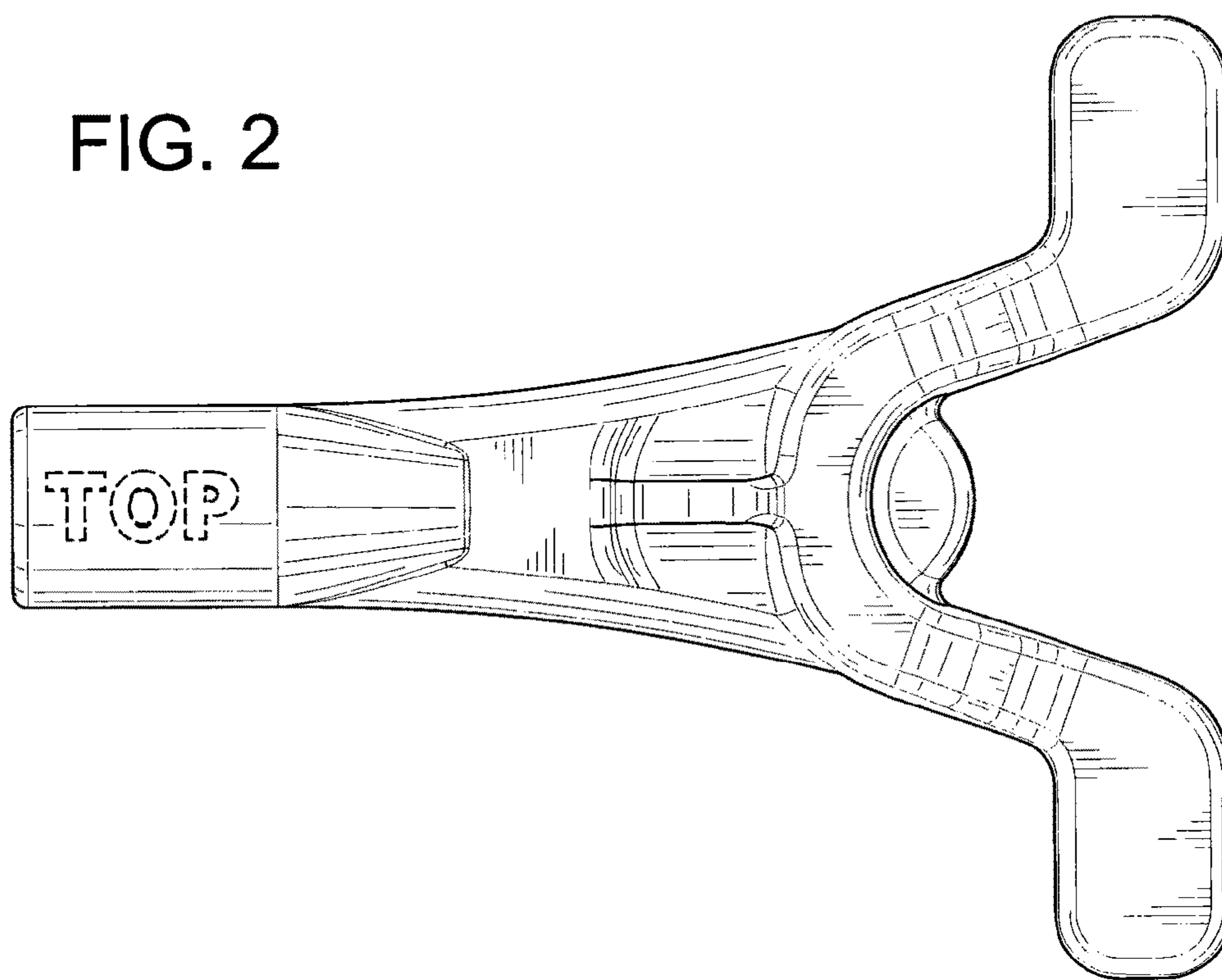


FIG. 3

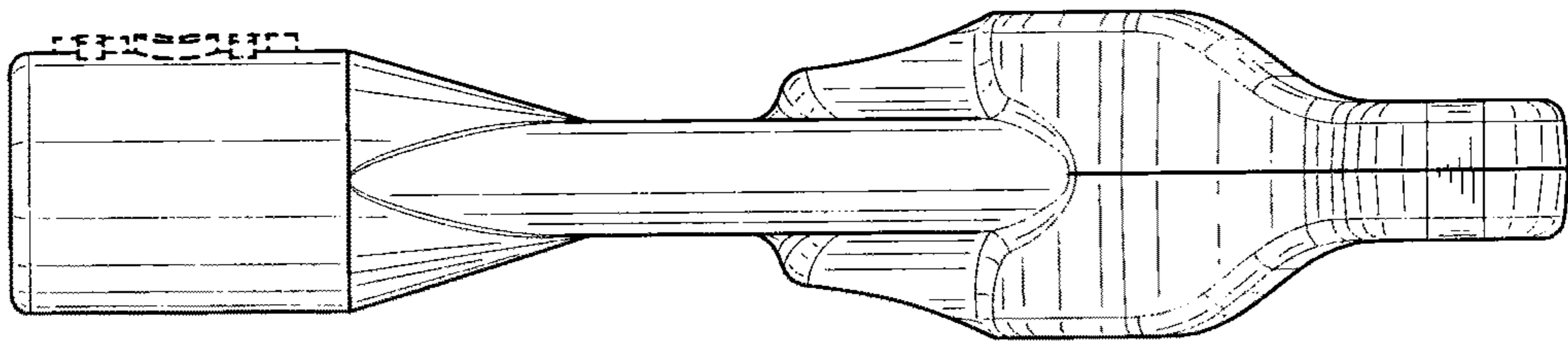


FIG. 4

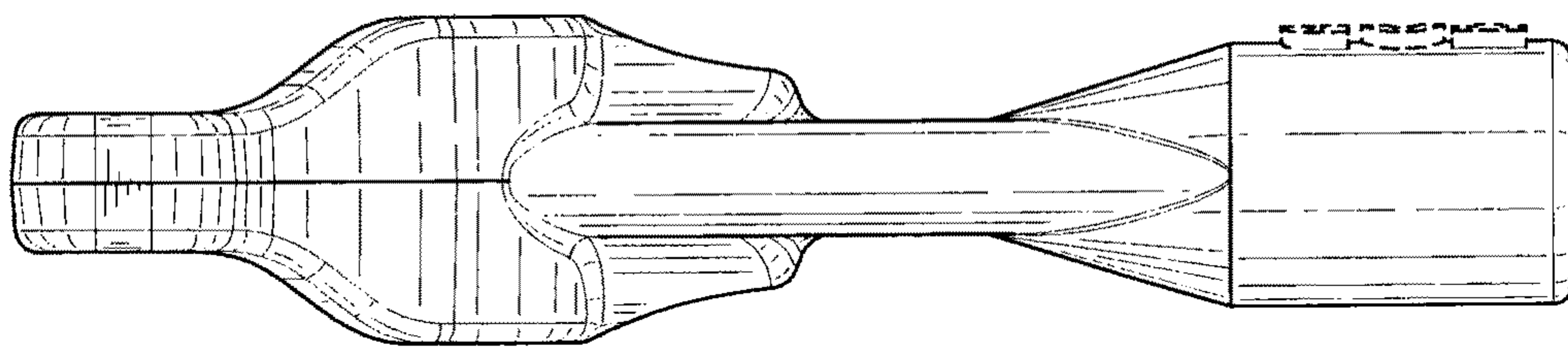


FIG. 5

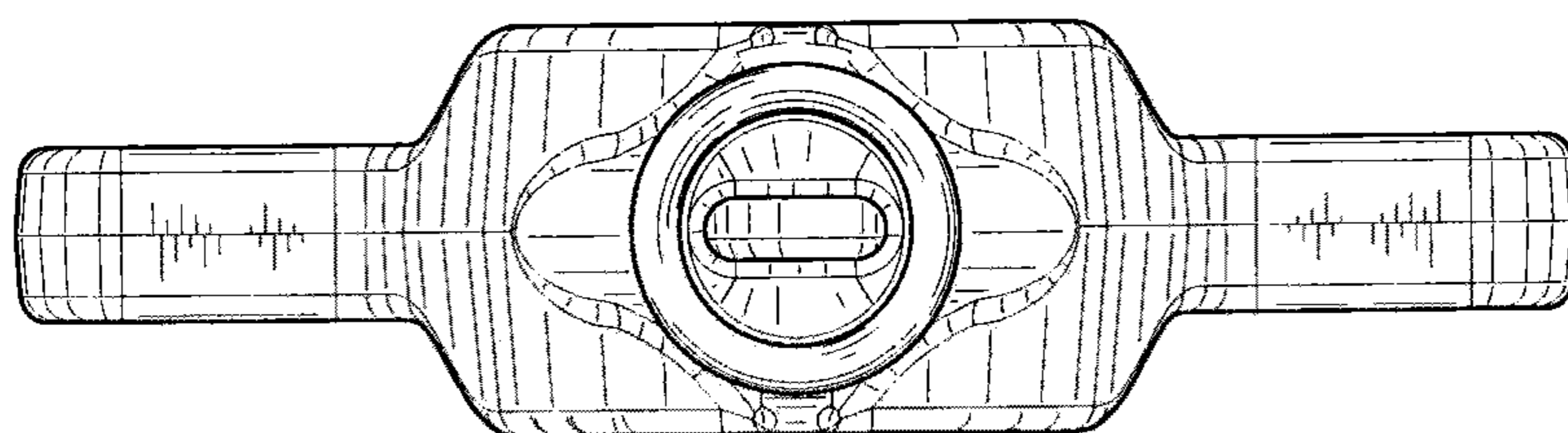


FIG. 6

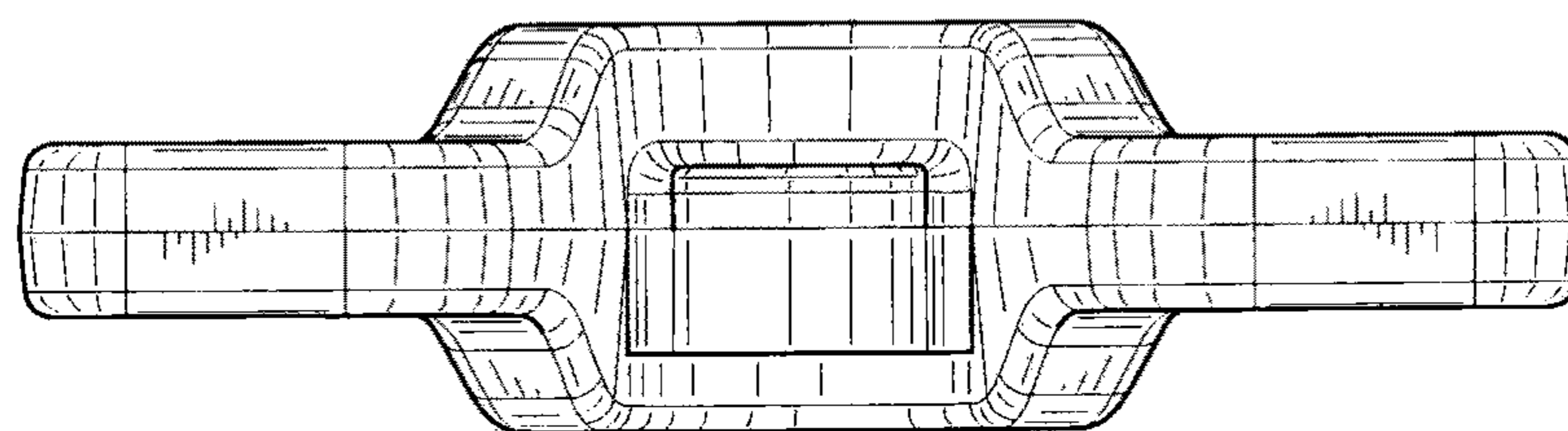


FIG. 7