

US00D692133S

(12) **United States Design Patent**
Steinwachs et al.

(10) **Patent No.:** **US D692,133 S**

(45) **Date of Patent:** **** Oct. 22, 2013**

(54) **BIOPSY SET**

(75) Inventors: **Matthias Steinwachs**, Herrliberg (CH);
Sascha Berberich, Tuttlingen (DE);
Bodo Kreidler, Tuttlingen (DE);
Michael Sauer, Tuttlingen (DE); **Sabine Zahler**, Ebersberg (DE)

(73) Assignee: **Karl Storz GmbH & Co. KG** (DE)

(**) Term: **14 Years**

(21) Appl. No.: **29/416,274**

(22) Filed: **Mar. 20, 2012**

(30) **Foreign Application Priority Data**

Sep. 20, 2011 (EM) 001920232-0016

(51) **LOC (9) Cl.** **24-02**

(52) **U.S. Cl.**
USPC **D24/146**

(58) **Field of Classification Search**
USPC D24/146, 147, 133, 143-144, 148;
600/564; 606/174, 170, 167, 172, 142,
606/184, 205-208
See application file for complete search history.

(56) **References Cited**

U.S. PATENT DOCUMENTS

D283,840 S * 5/1986 Matsutani D24/147
D303,290 S * 9/1989 McMenamy et al. D24/147
D313,471 S * 1/1991 Bremer et al. D24/147

D349,574 S * 8/1994 Metcalf et al. D24/146
6,626,850 B1 * 9/2003 Chau et al. 600/567
D512,147 S * 11/2005 Barker D24/146
6,989,003 B2 * 1/2006 Wing et al. 604/161
D594,121 S * 6/2009 Berberich et al. D24/133
D598,549 S * 8/2009 Cantu et al. D24/146
D604,847 S * 11/2009 Sawalhe et al. D24/146
D606,193 S * 12/2009 Oberlaender et al. D24/146
D614,302 S * 4/2010 Eisele D24/146
D621,932 S * 8/2010 Sonleiter et al. D24/133
2009/0093833 A1 * 4/2009 Smith 606/185
2009/0124859 A1 * 5/2009 Assell et al. 600/184
2009/0177141 A1 * 7/2009 Kucklick 604/35

* cited by examiner

Primary Examiner — Ian Simmons

Assistant Examiner — Carissa C Fitts

(74) *Attorney, Agent, or Firm* — St. Onge Steward Johnston & Reens LLC

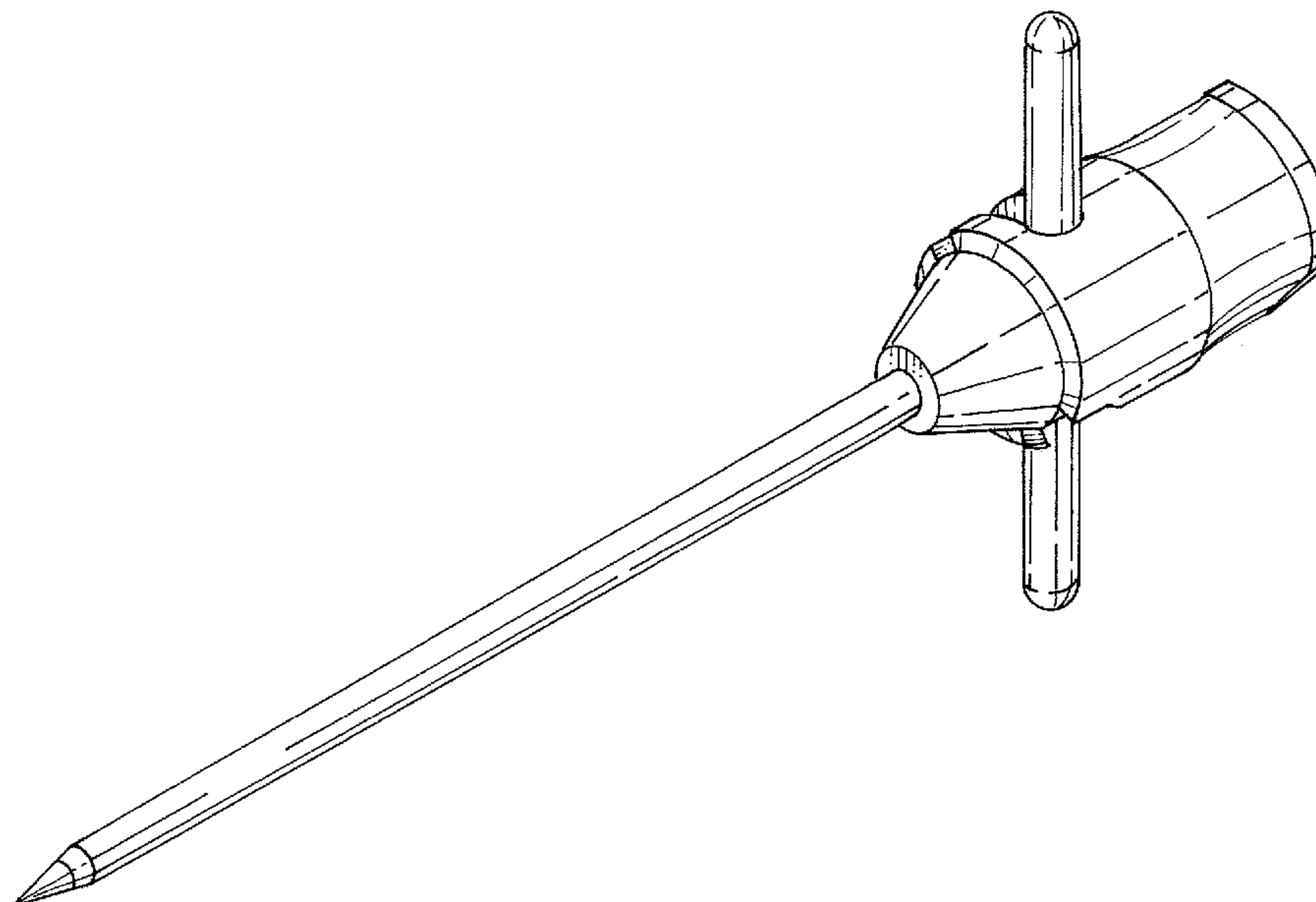
(57) **CLAIM**

The ornamental design for a biopsy set, as shown and described.

DESCRIPTION

FIG. 1 is a front left side isometric view of a biopsy set in accordance with the new design;
FIG. 2 is a left side elevation view thereof, a right side elevation view being a mirror image thereof;
FIG. 3 is a top plan view thereof, a bottom plan view being a mirror image thereof;
FIG. 4 is a front elevation view thereof; and,
FIG. 5 is a rear elevation view thereof.

1 Claim, 5 Drawing Sheets



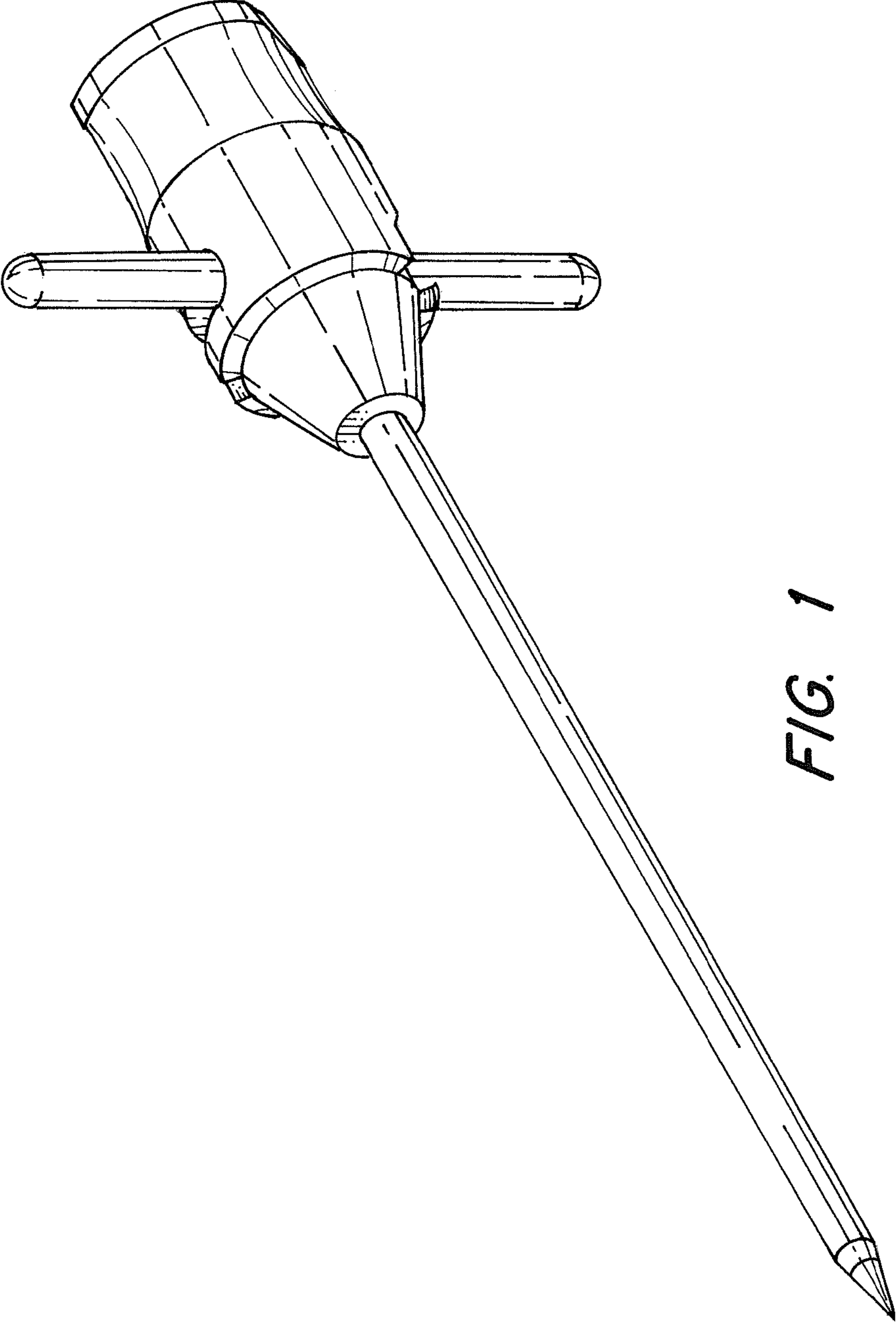


FIG. 1

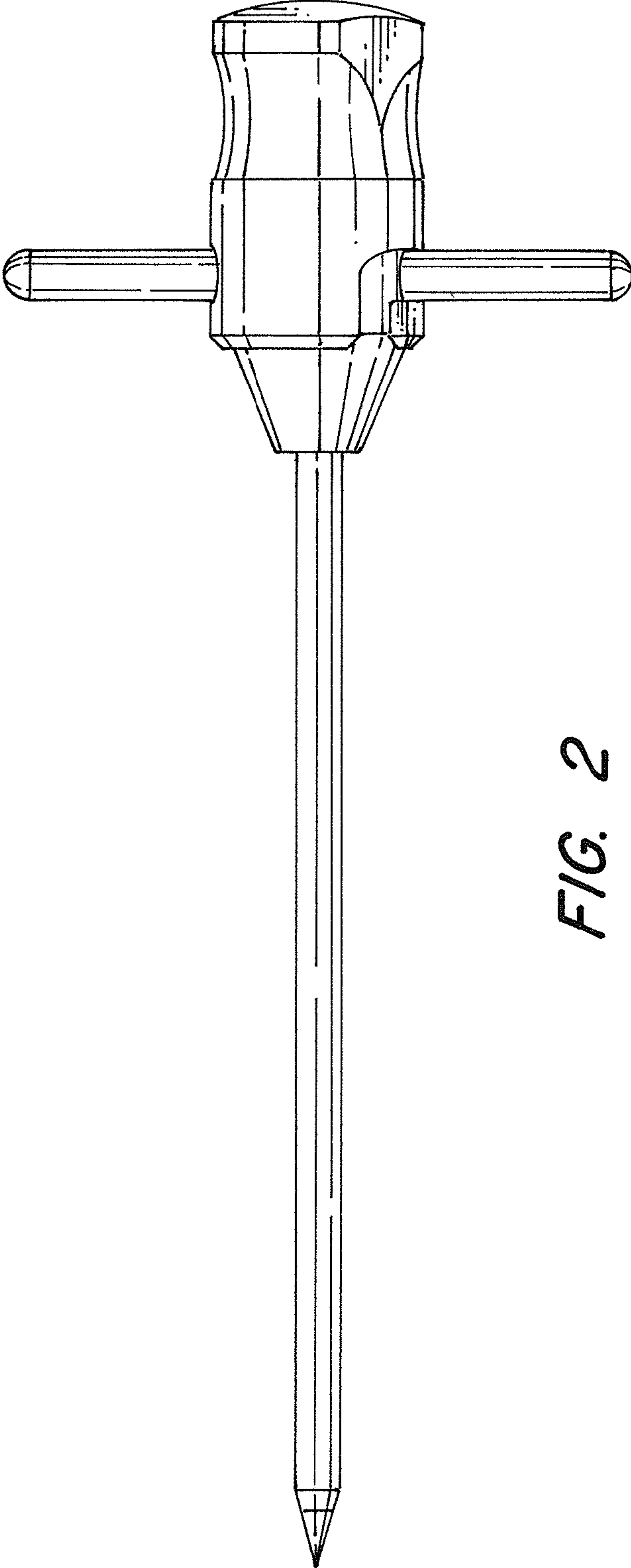


FIG. 2

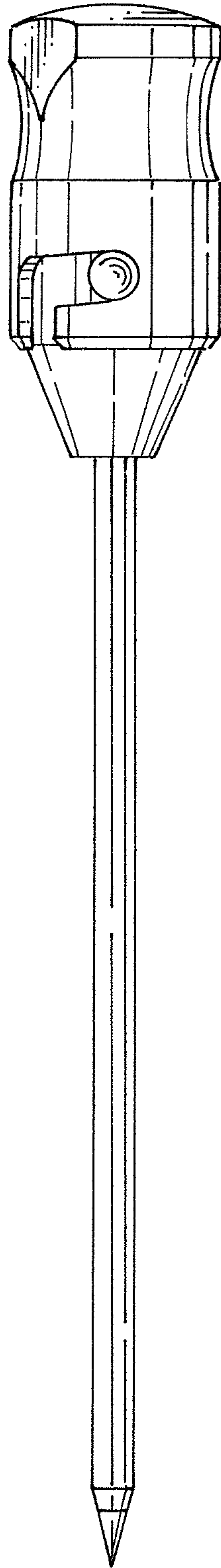


FIG. 3

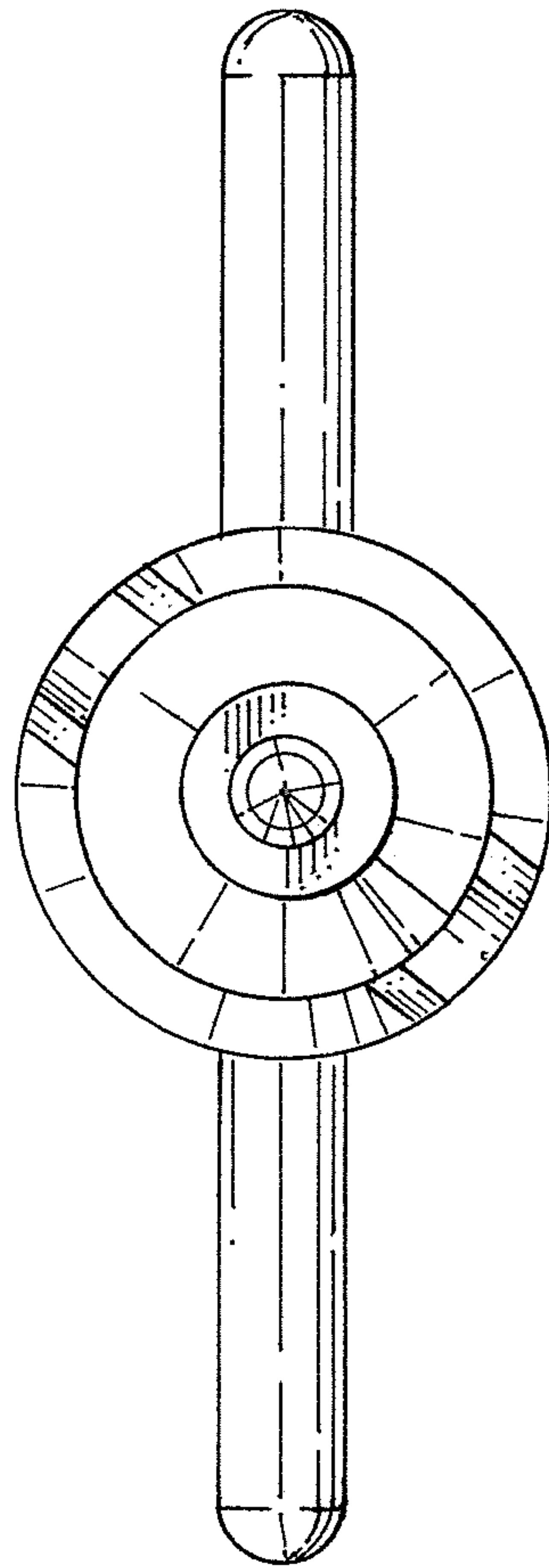


FIG. 4

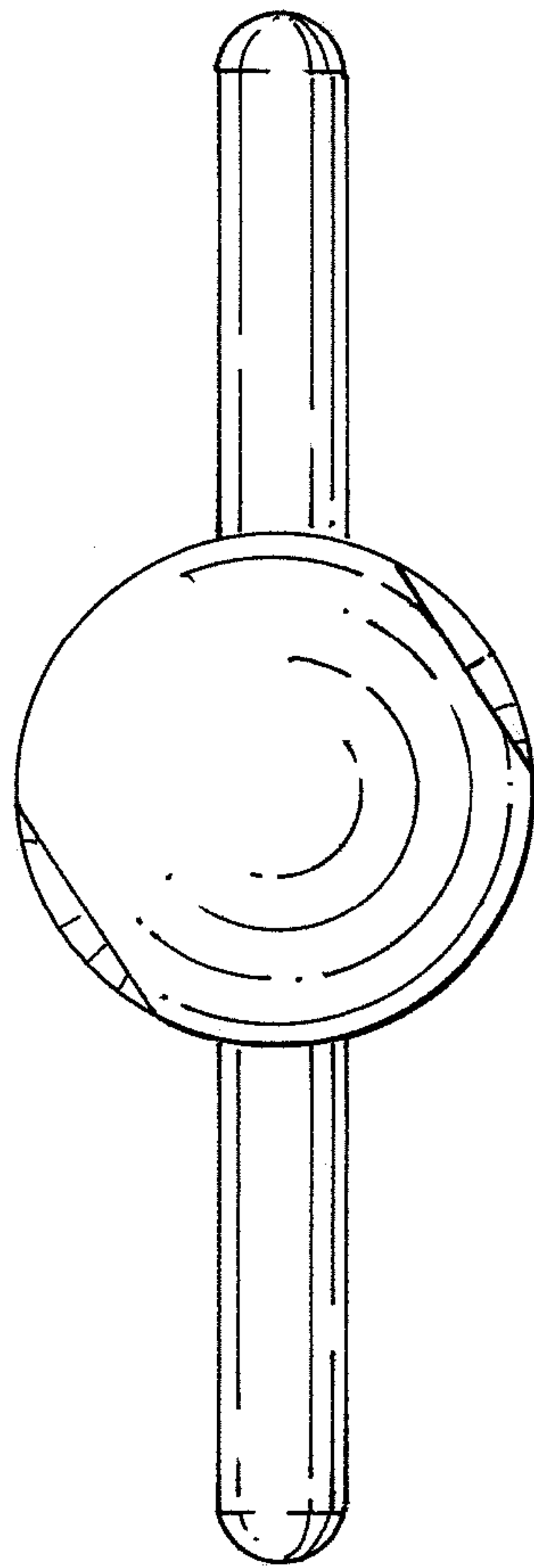


FIG. 5