



US00D692132S

(12) **United States Design Patent**
Damron

(10) **Patent No.:** **US D692,132 S**

(45) **Date of Patent:** **** Oct. 22, 2013**

(54) **IV POLE TRAY AND BRACKET**
(75) Inventor: **Michael J. Damron**, Canal Winchester,
OH (US)
(73) Assignee: **Damron-Harrell Technologies, LLC**,
Canal Winchester, OH (US)

5,655,741 A * 8/1997 Watkins 248/125.9
D413,429 S * 9/1999 Carson D8/72
5,996,511 A 12/1999 Swoger
6,910,429 B1 * 6/2005 Matay et al. 108/152
D602,256 S * 10/2009 Johnson D3/304
2007/0267551 A1 11/2007 Townsend

* cited by examiner

(**) Term: **14 Years**

Primary Examiner — David Muller

(21) Appl. No.: **29/408,019**

(74) *Attorney, Agent, or Firm* — Sturm & Fix LLP

(22) Filed: **Dec. 6, 2011**

(57) **CLAIM**

The ornamental design for an IV pole tray and bracket, as shown and described.

(51) **LOC (9) Cl.** **24-02**

(52) **U.S. Cl.**

USPC **D24/128**

(58) **Field of Classification Search**

USPC D24/128, 127, 143; D3/304, 307, 308,
D3/309; D6/406.1; 108/157.13; D8/71-74,
D8/394-399, 59; 248/127, 128,
248/121-125.9, 62, 63, 72, 74.1, 689, 124.2
See application file for complete search history.

DESCRIPTION

FIG. 1 is a perspective view of an IV pole tray and bracket showing my new design; wherein the clamp and tray bracket are configured such that the clamp is disposed to engage a vertical pole;

FIG. 2 is a left-side elevational view thereof;

FIG. 3 is a right-side elevational view thereof;

FIG. 4 is a front elevational view thereof;

FIG. 5 is a rear elevational view thereof;

FIG. 6 is a top plan view thereof;

FIG. 7 is a bottom plan view thereof;

FIG. 8 is a perspective view of an IV pole tray and bracket showing my new design; wherein the clamp and tray bracket are configured such that the clamp is disposed to engage a horizontal rail;

FIG. 9 is a left side elevational view thereof;

FIG. 10 is a right side elevational view thereof;

FIG. 11 is a front elevational view thereof;

FIG. 12 is a rear elevational view thereof;

FIG. 13 top plan view thereof; and,

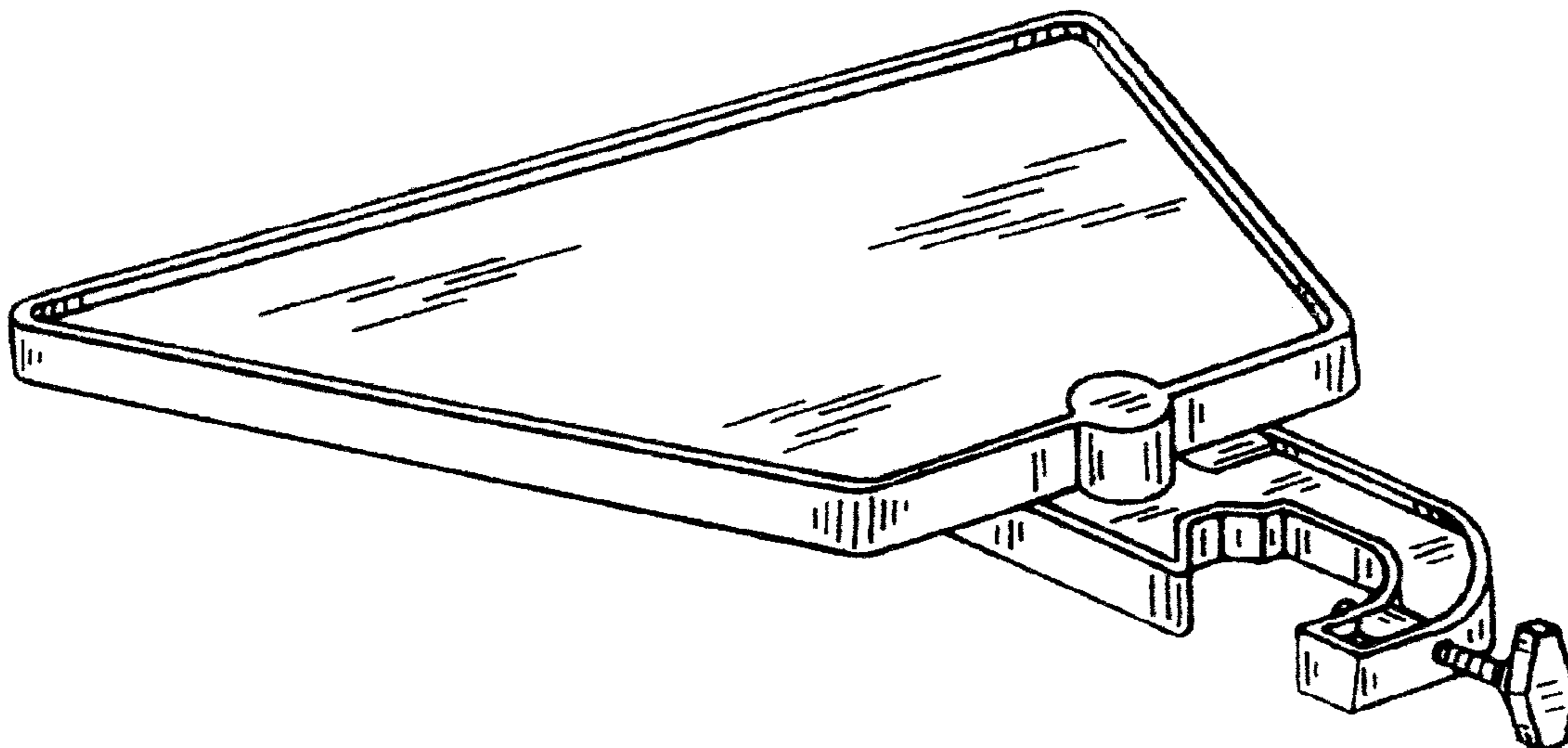
FIG. 14 is a bottom plan view thereof.

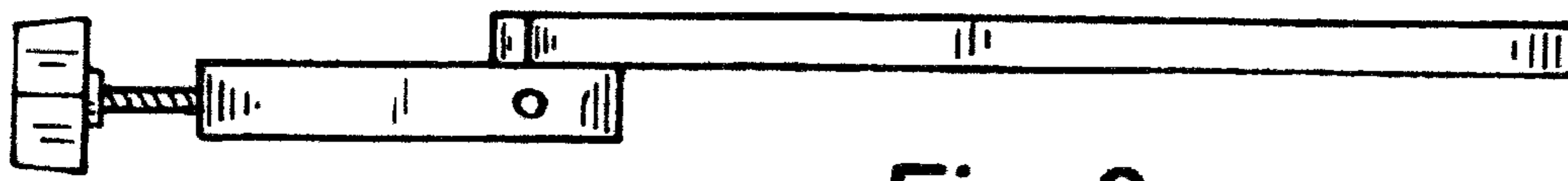
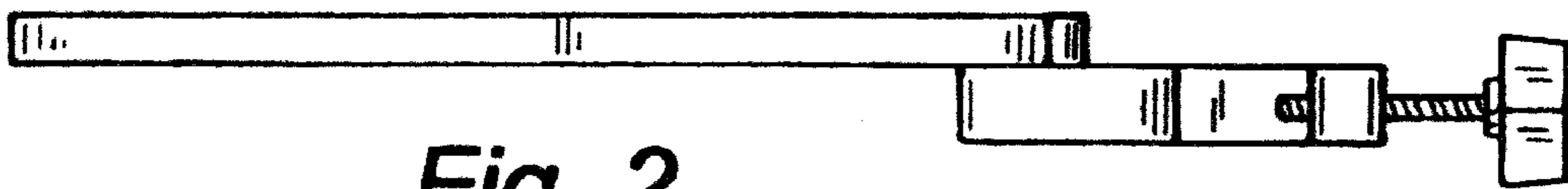
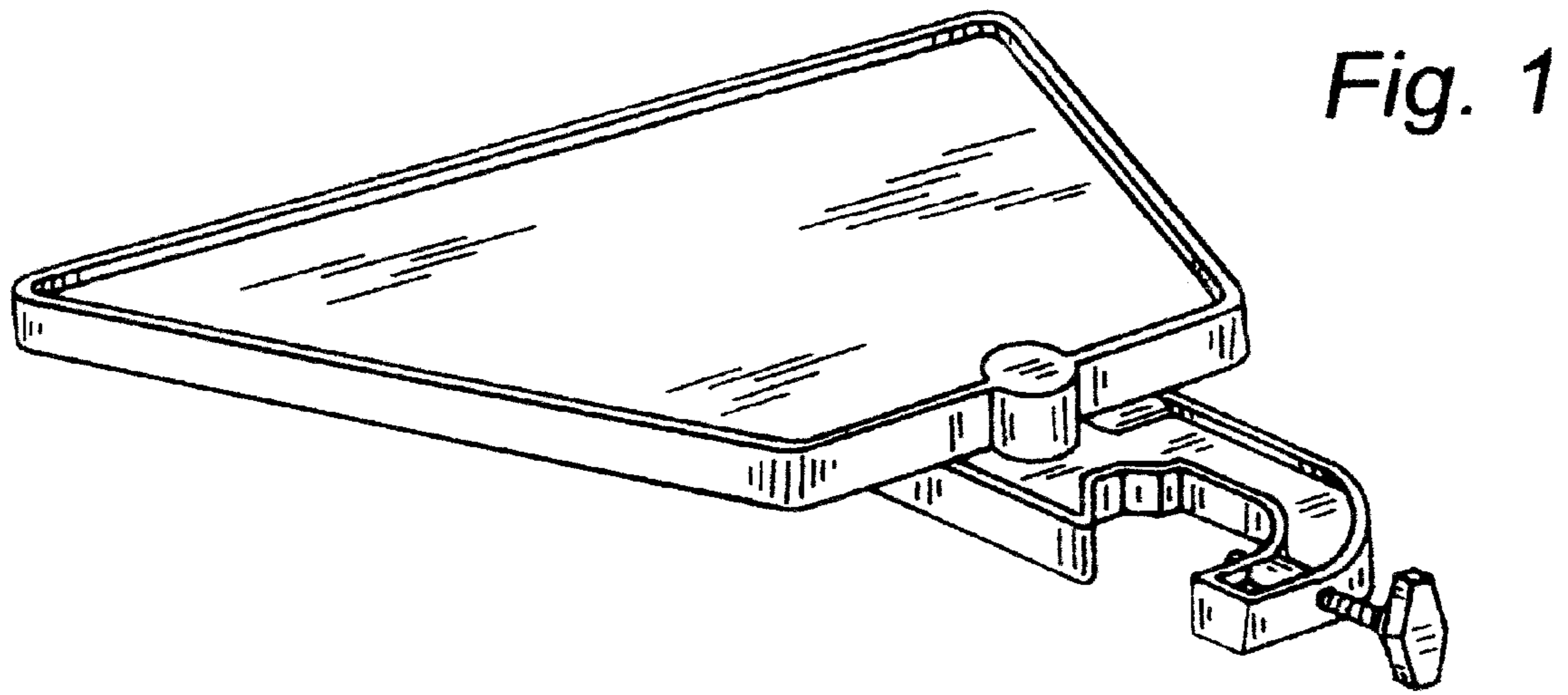
(56) **References Cited**

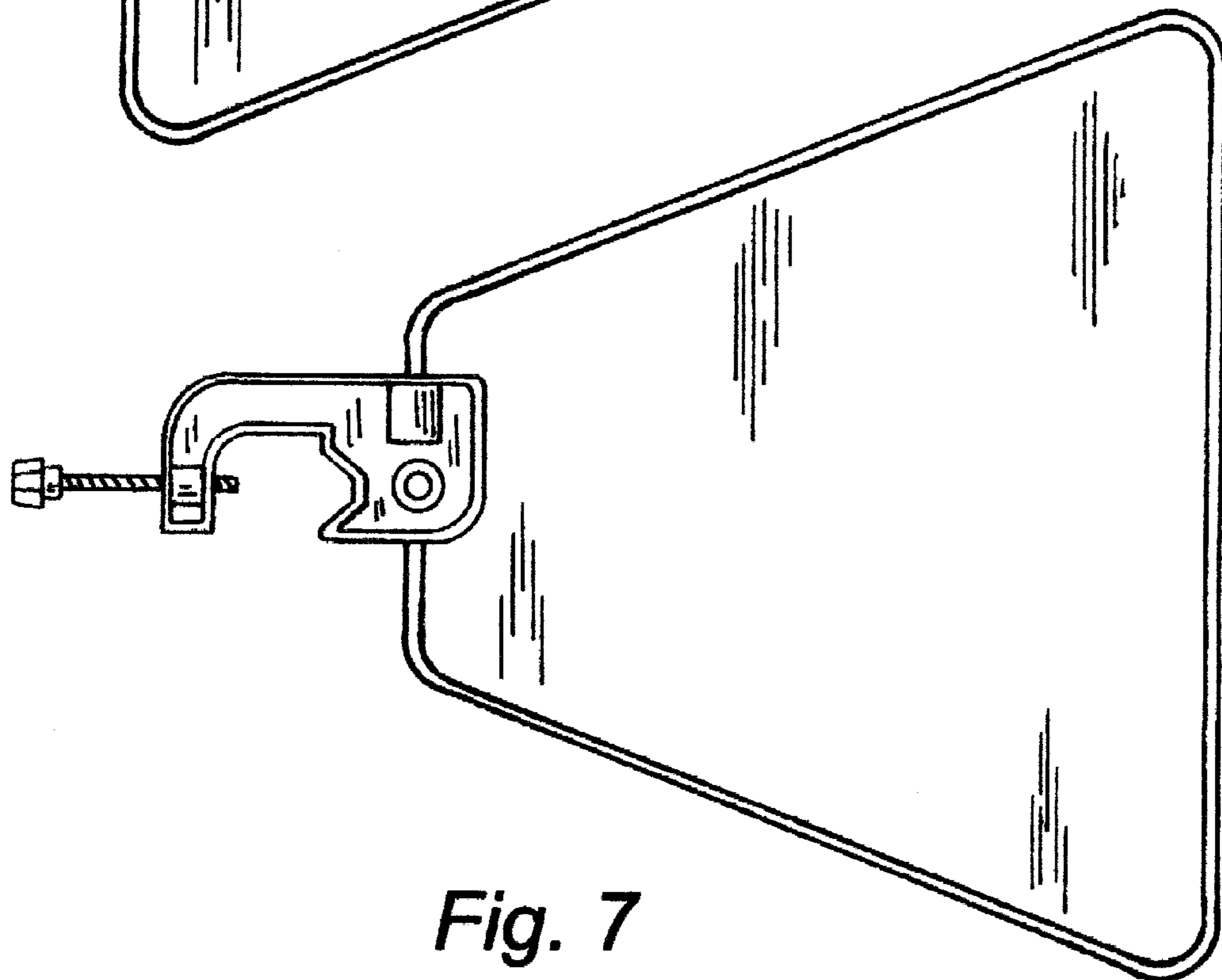
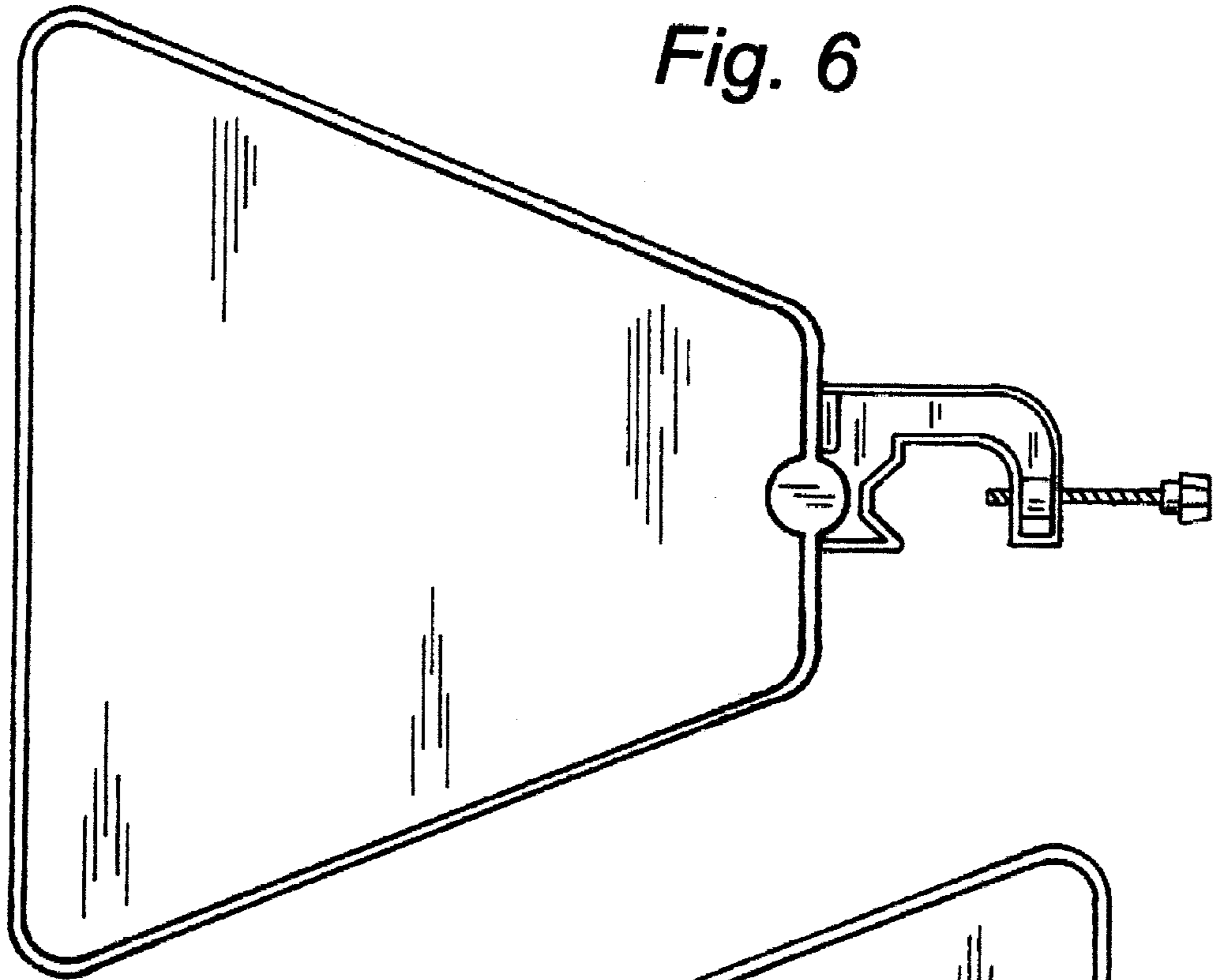
U.S. PATENT DOCUMENTS

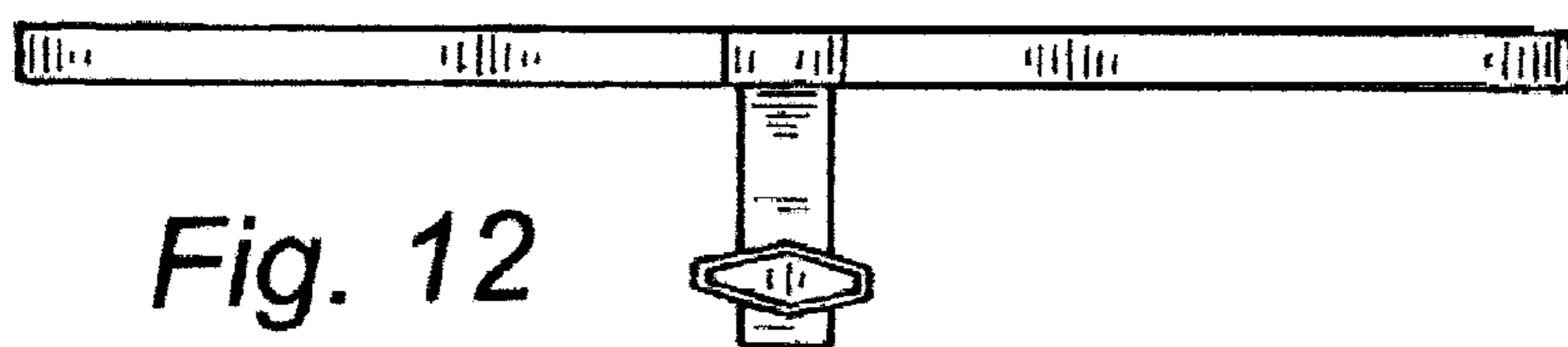
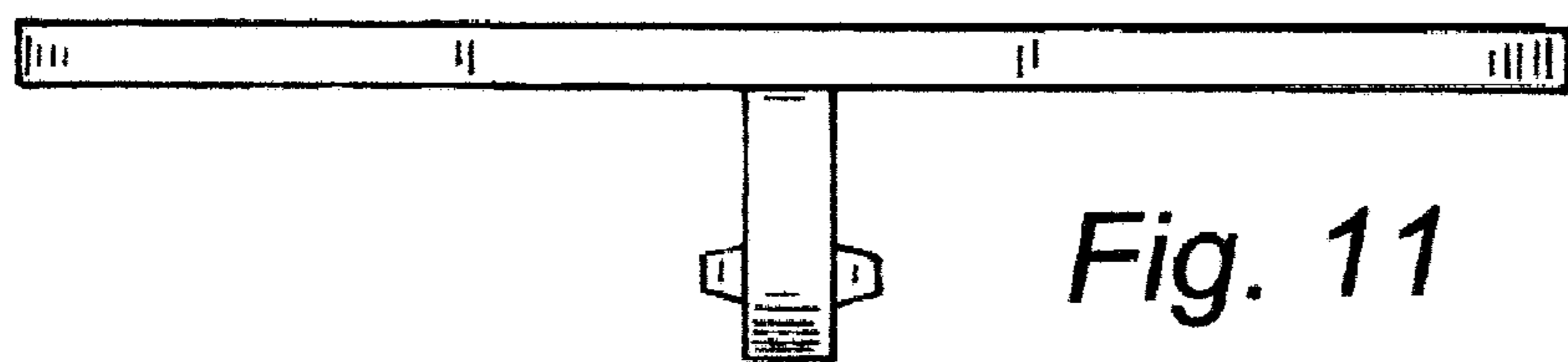
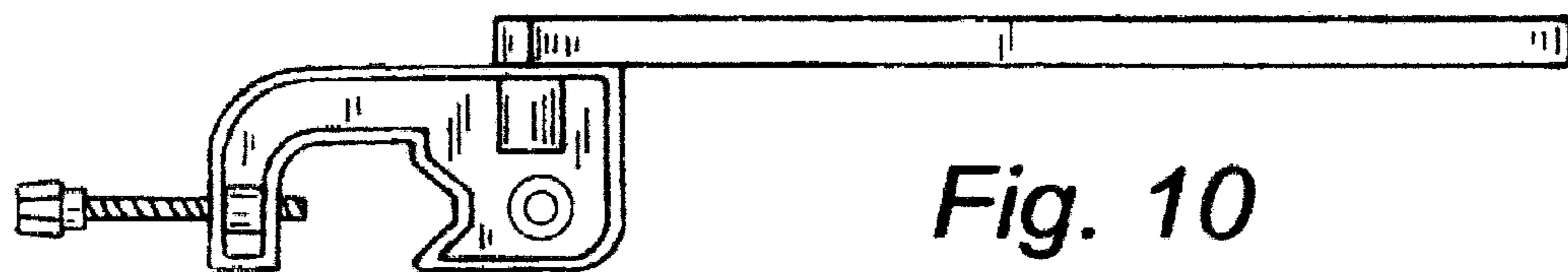
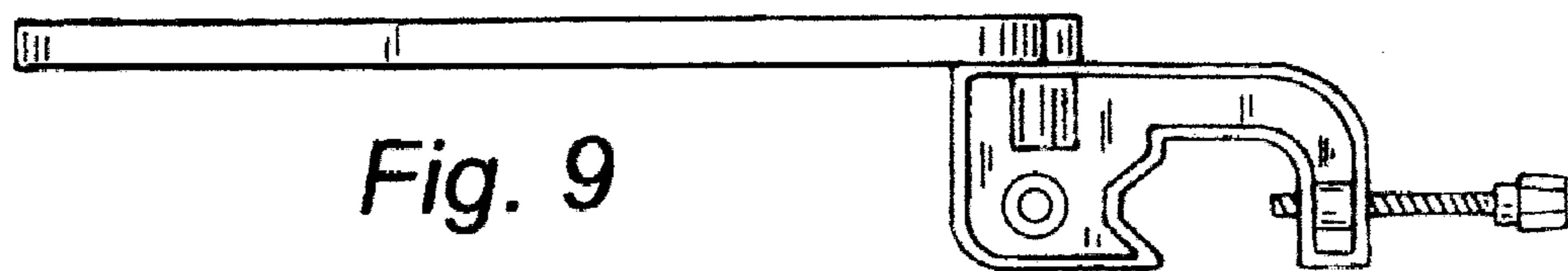
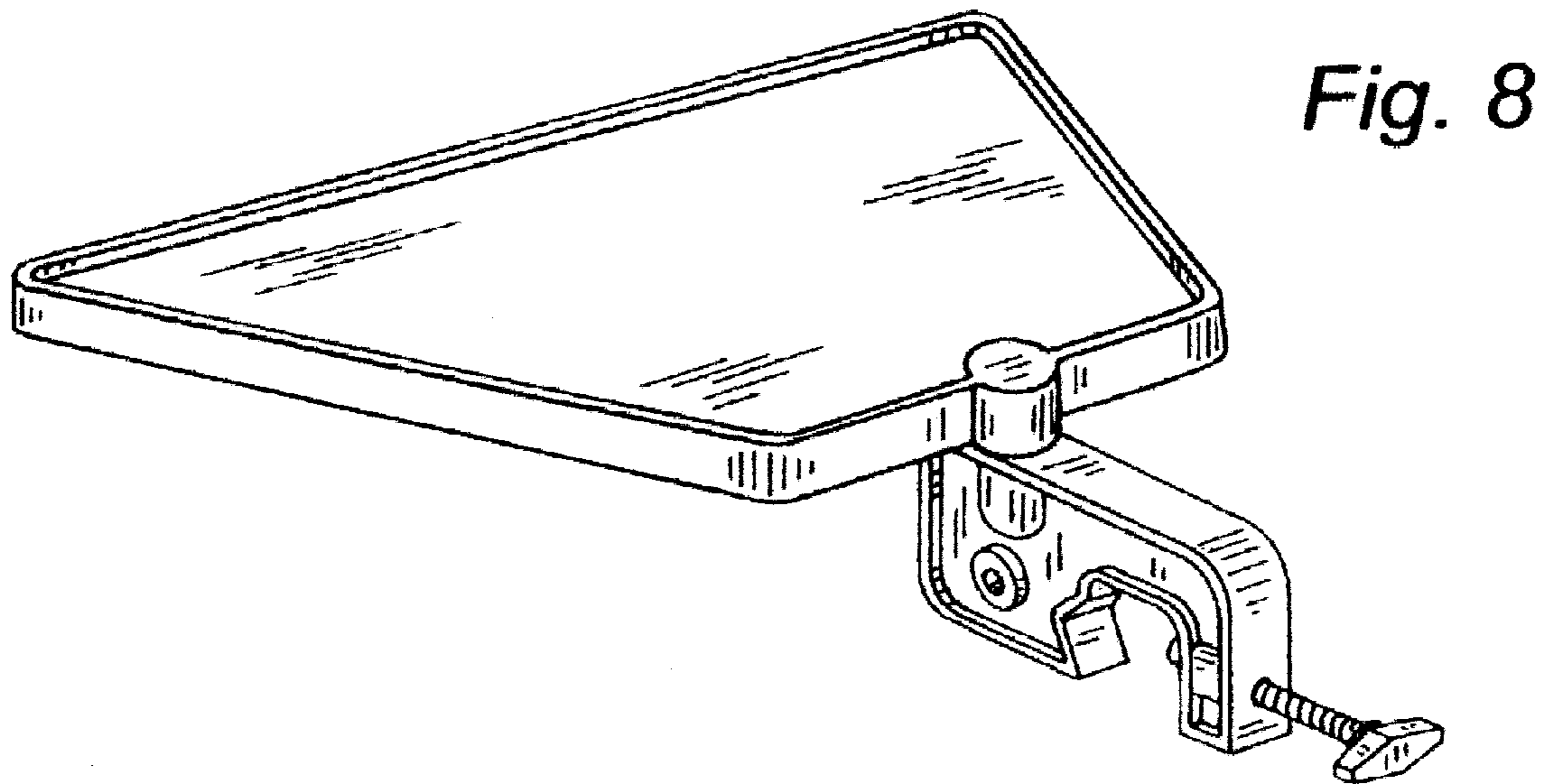
D271,939 S * 12/1983 Little D8/73
D281,453 S * 11/1985 DiGianfilippo et al. D24/128
4,742,981 A 5/1988 Converse
D296,517 S * 7/1988 Martin D8/71
D302,380 S * 7/1989 Garvis D8/73
D310,570 S * 9/1990 Wells D24/128
5,114,023 A 5/1992 Lavin
5,126,928 A * 6/1992 Hughes 248/124.1
D338,595 S * 8/1993 Cafarella et al. D3/304
D344,226 S * 2/1994 Glynn D8/73
D346,644 S 5/1994 Harris
D354,350 S 1/1995 Pryor et al.
D356,532 S * 3/1995 Butzman D6/406.1

1 Claim, 4 Drawing Sheets









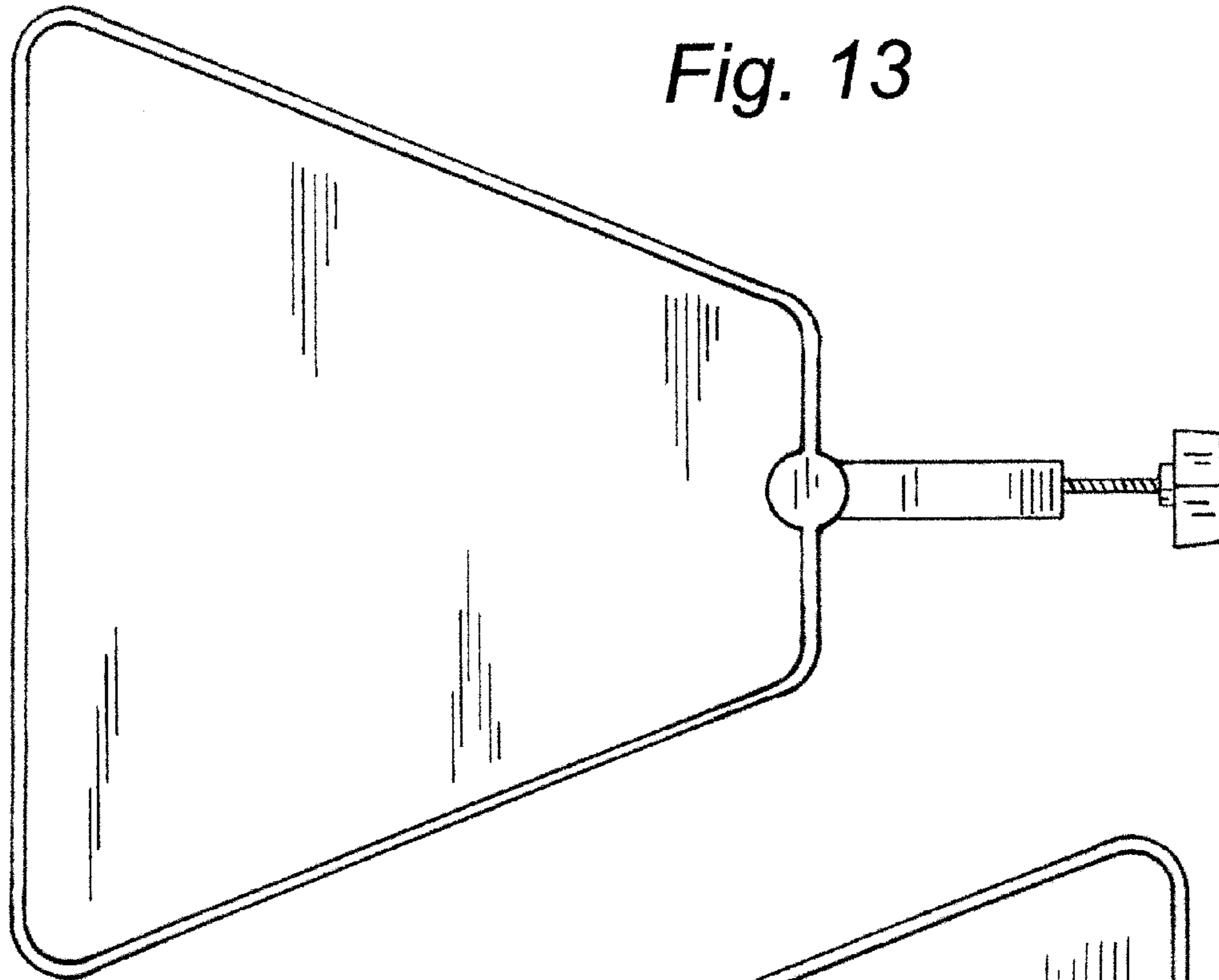


Fig. 13

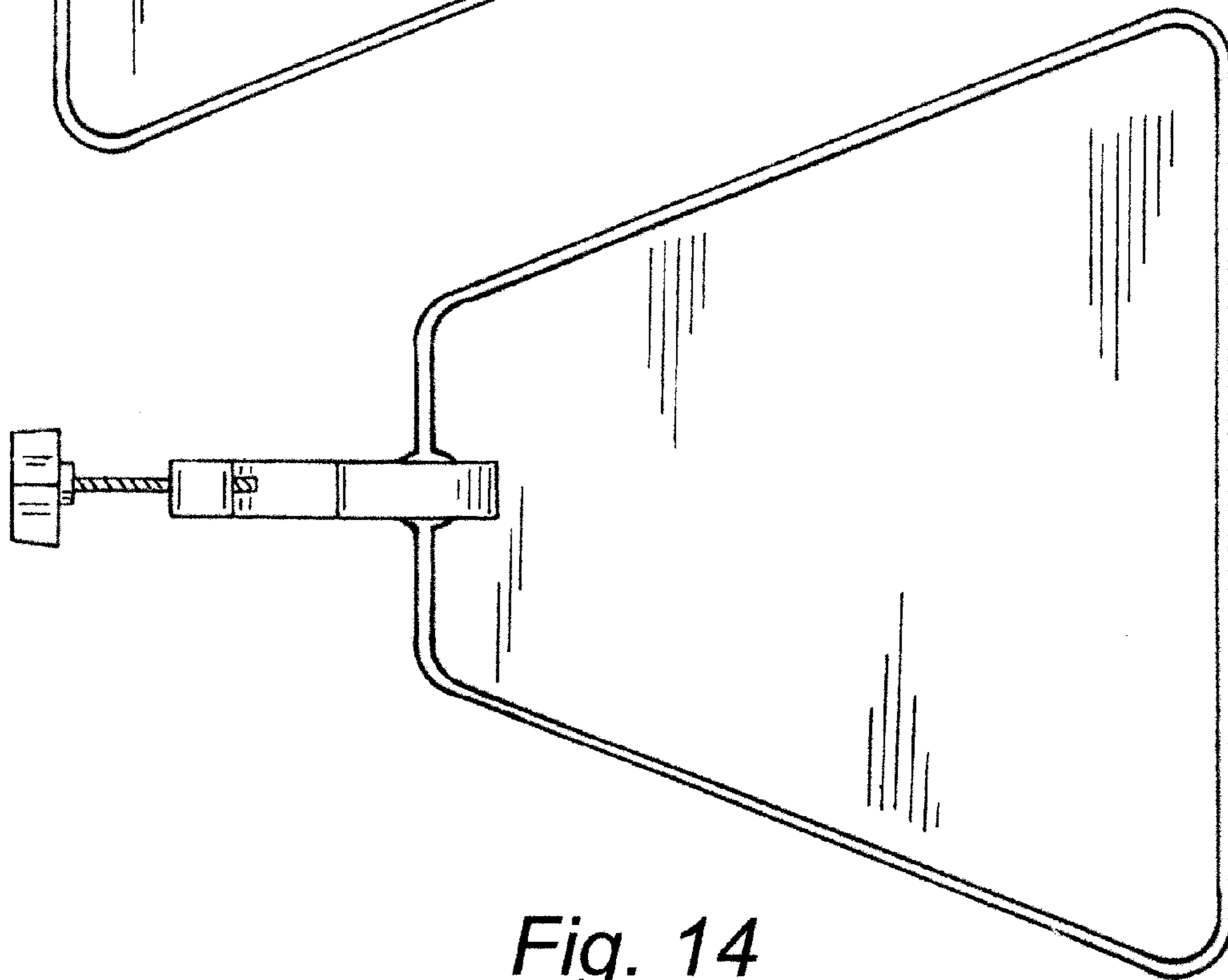


Fig. 14