



US00D692127S

(12) **United States Design Patent**
Lee

(10) **Patent No.:** **US D692,127 S**
(45) **Date of Patent:** **** Oct. 22, 2013**

(54) **RESPIRATORY MASK**

(75) Inventor: **Gary C. J. Lee**, Taipei (TW)

(73) Assignee: **Galedmed Corporation.**, Taipei (TW)

(**) Term: **14 Years**

(21) Appl. No.: **29/425,913**

(22) Filed: **Jun. 28, 2012**

(51) **LOC (9) Cl.** **29-02**

(52) **U.S. Cl.**
USPC **D24/110.4**

(58) **Field of Classification Search**
USPC D24/110.1–110.4; 128/205.25, 206.21,
128/206.24, 206.26, 206.28, 207.11, 207.17
See application file for complete search history.

(56) **References Cited**

U.S. PATENT DOCUMENTS

4,328,797	A	*	5/1982	Rollins et al.	128/202.27
D434,141	S	*	11/2000	Randeberg et al.	D24/110.4
D506,827	S	*	6/2005	Jones et al.	D24/110.1
D539,418	S	*	3/2007	Jones et al.	D24/110.1
D557,408	S	*	12/2007	Amarasinghe et al.	...	D24/110.1
D560,796	S	*	1/2008	Jones et al.	D24/110.1
D573,709	S	*	7/2008	Rudolph	D24/110.1

* cited by examiner

Primary Examiner — Ian Simmons

Assistant Examiner — Richelle Shelton

(74) *Attorney, Agent, or Firm* — Chun-Ming Shih; HDLS IPR Services

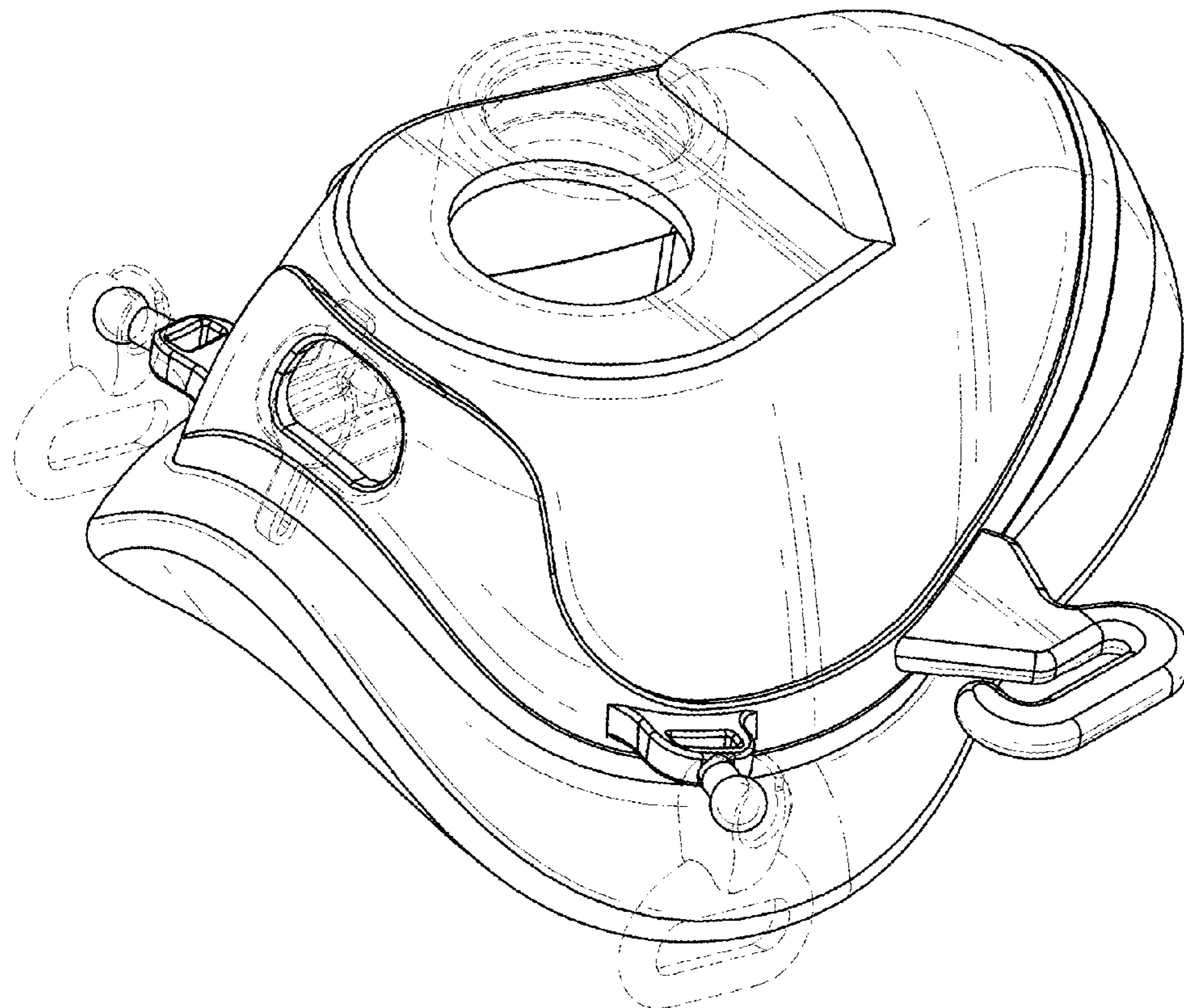
(57) **CLAIM**

The ornamental design for a respiratory mask, as shown and described.

DESCRIPTION

FIG. 1 is a perspective view of a respiratory mask showing my new design;
 FIG. 2 is a front view thereof;
 FIG. 3 is a rear view thereof;
 FIG. 4 is a left side view thereof;
 FIG. 5 is a right side view thereof;
 FIG. 6 is a top view thereof;
 FIG. 7 is a bottom view thereof; and
 FIG. 8 is second perspective view showing the respiratory mask.
 FIG. 9 is third perspective view showing the respiratory mask.
 FIG. 10 is forth perspective view showing the respiratory mask; and,
 FIG. 11 is a perspective view showing the respiratory mask in use.
 The broken lines shown represent unclaimed subject matter and form no part of the claimed design.

1 Claim, 11 Drawing Sheets



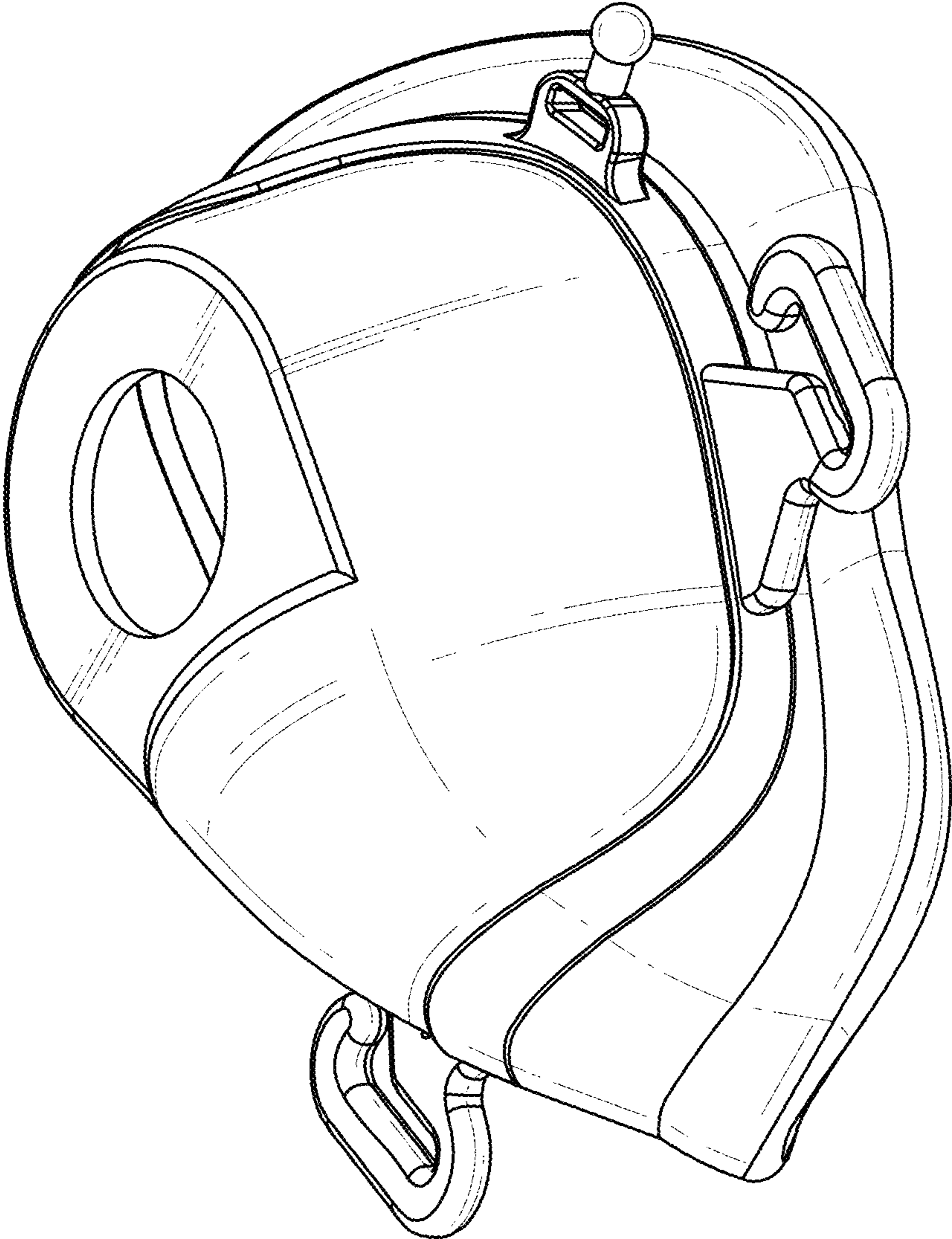


FIG.1

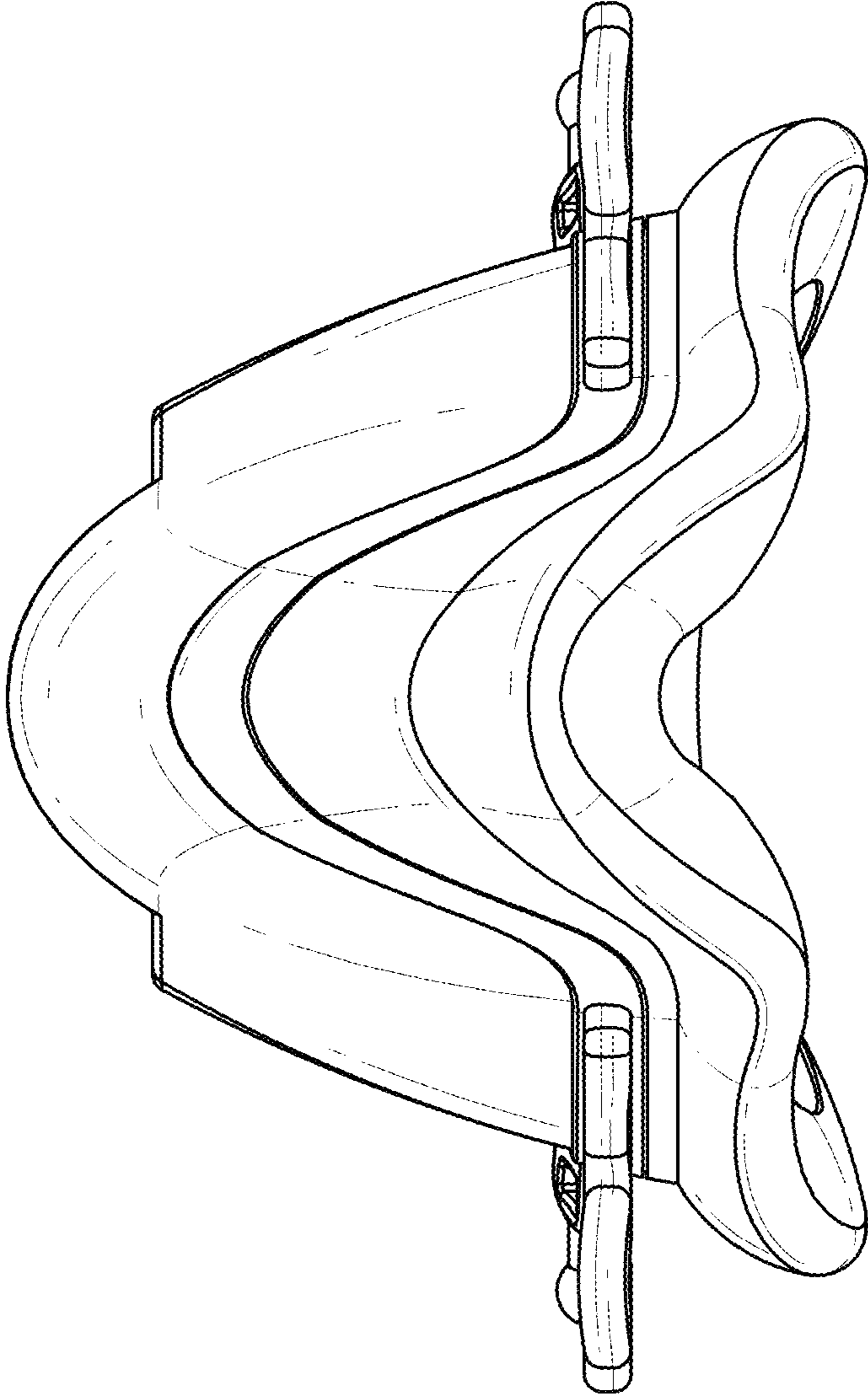


FIG.2

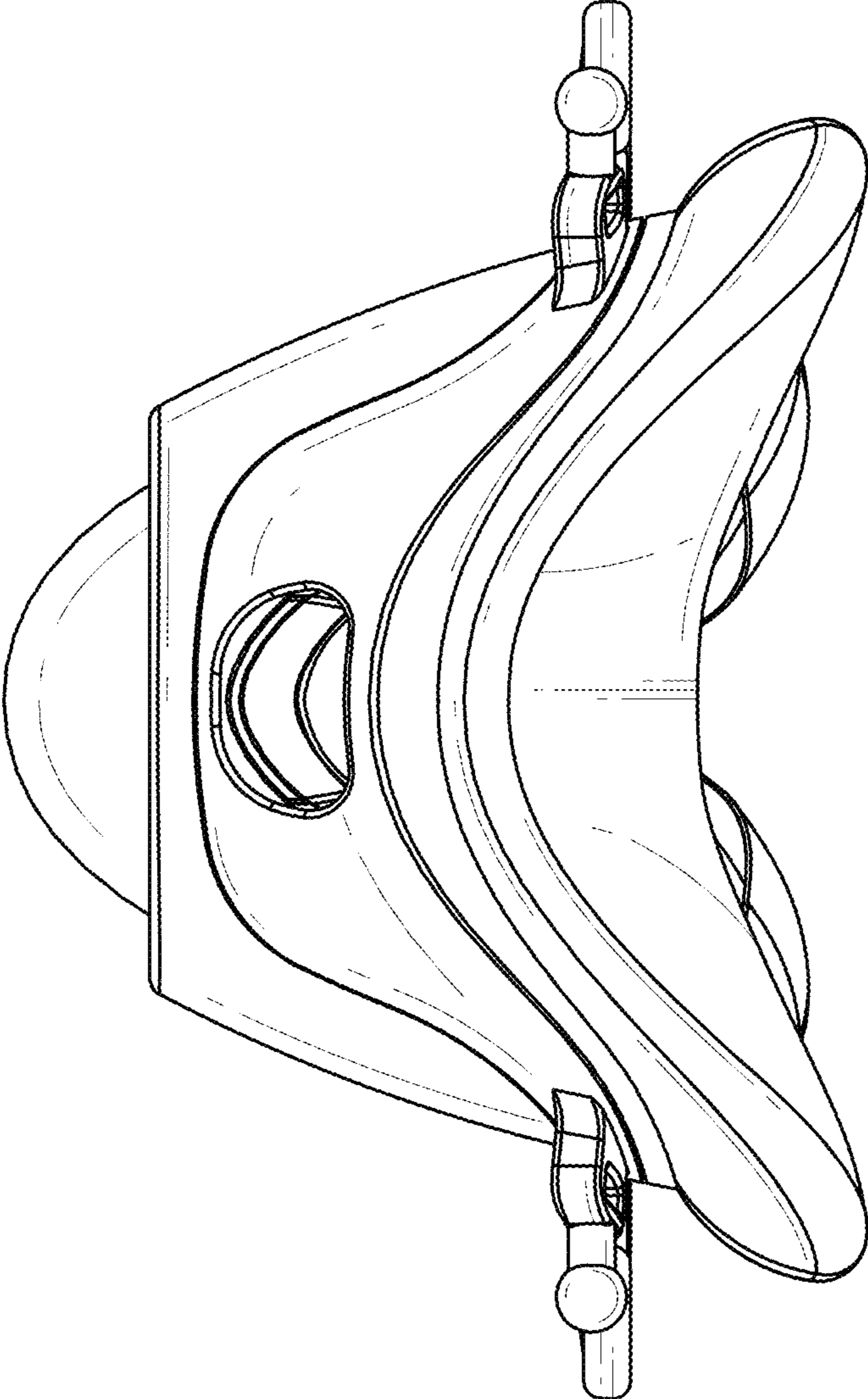


FIG.3

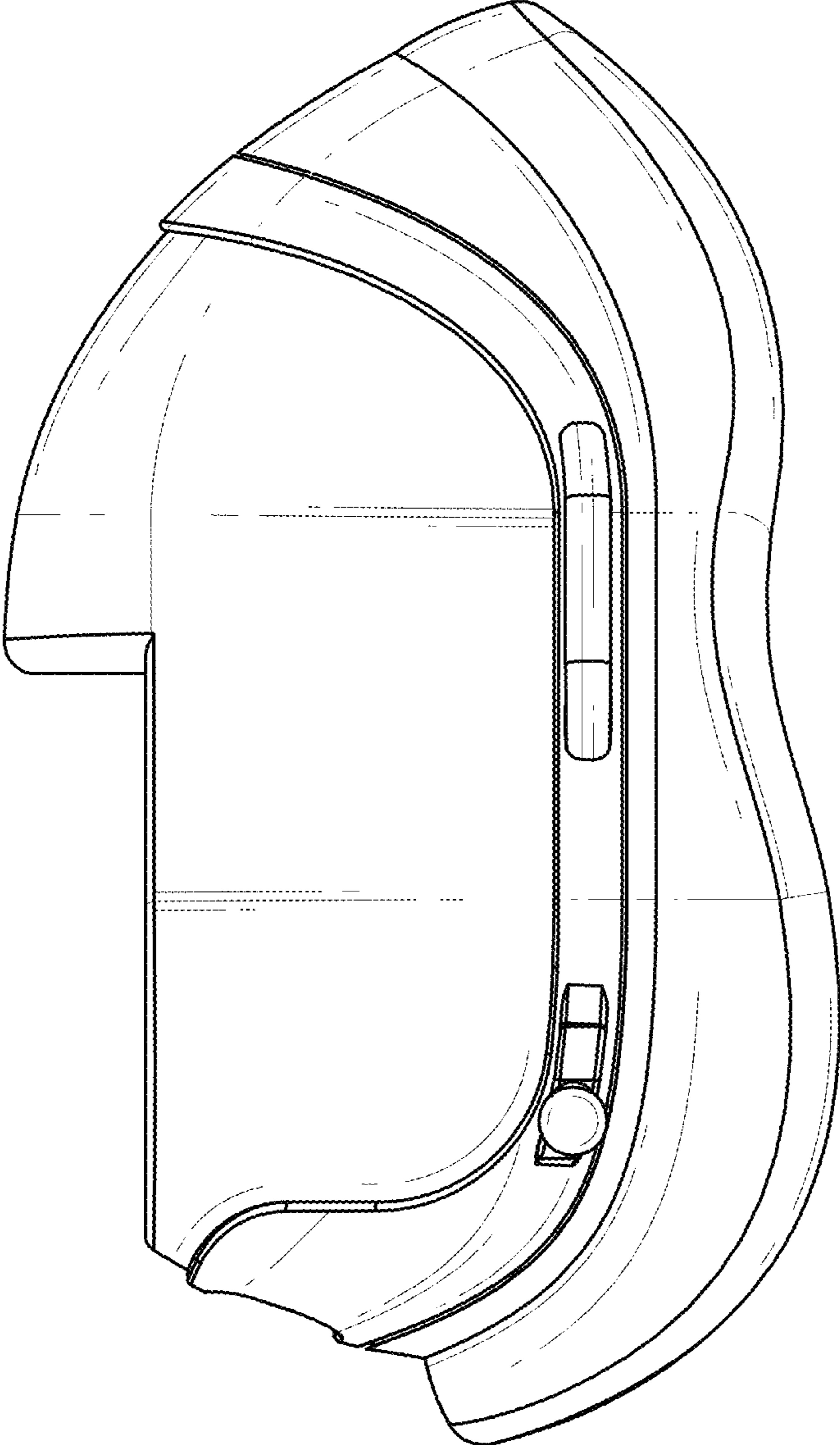


FIG.4

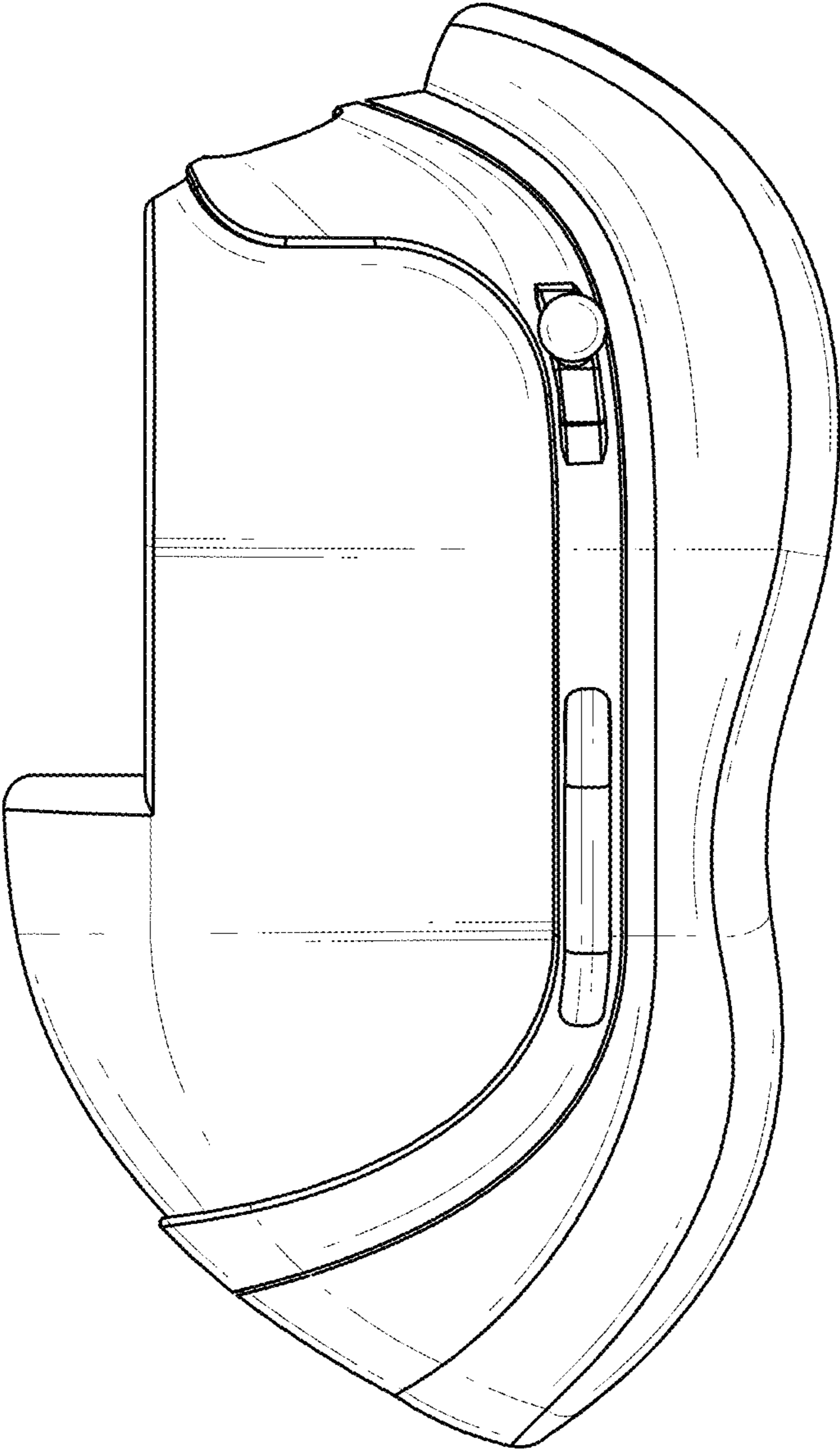


FIG.5

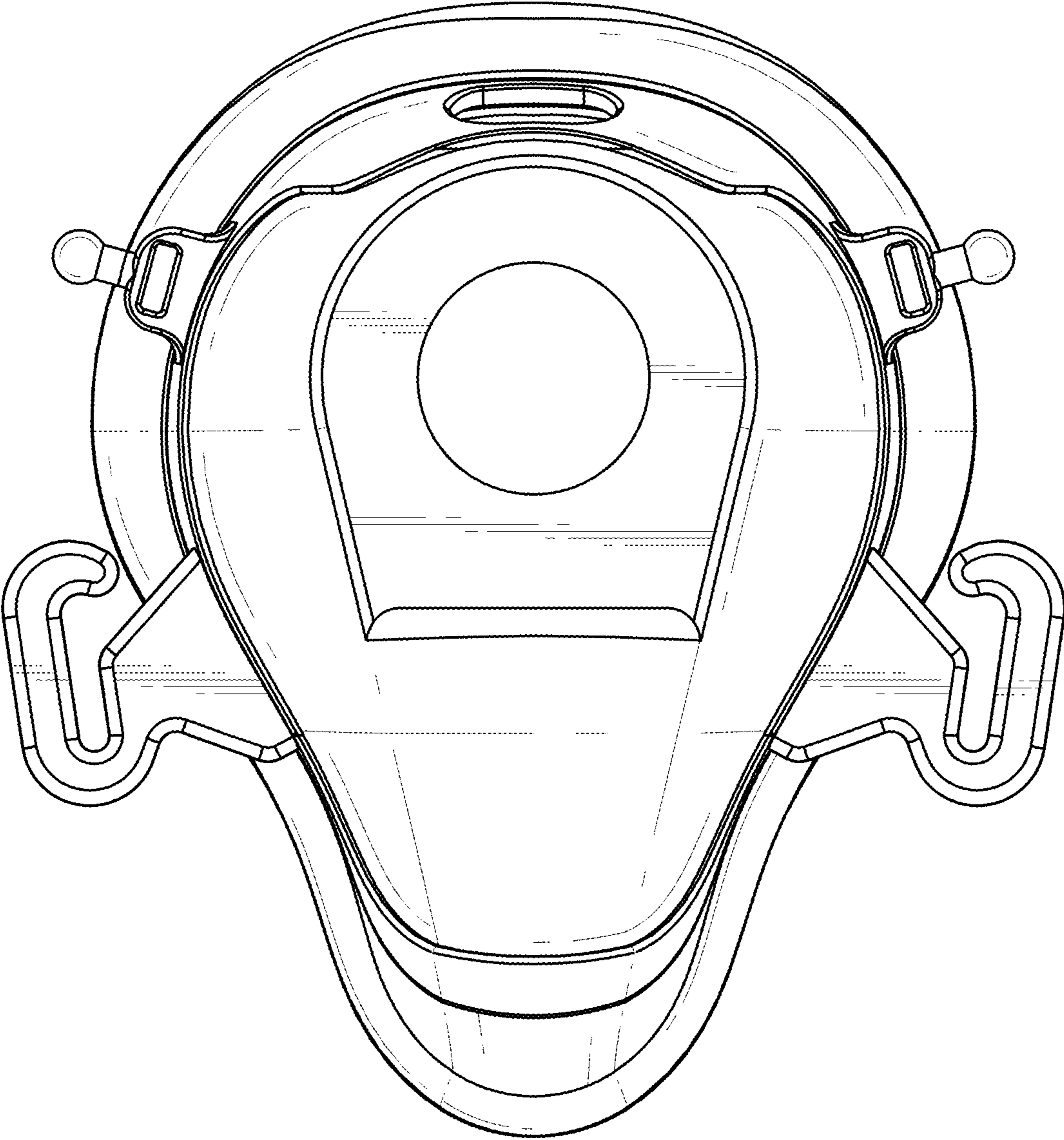


FIG.6

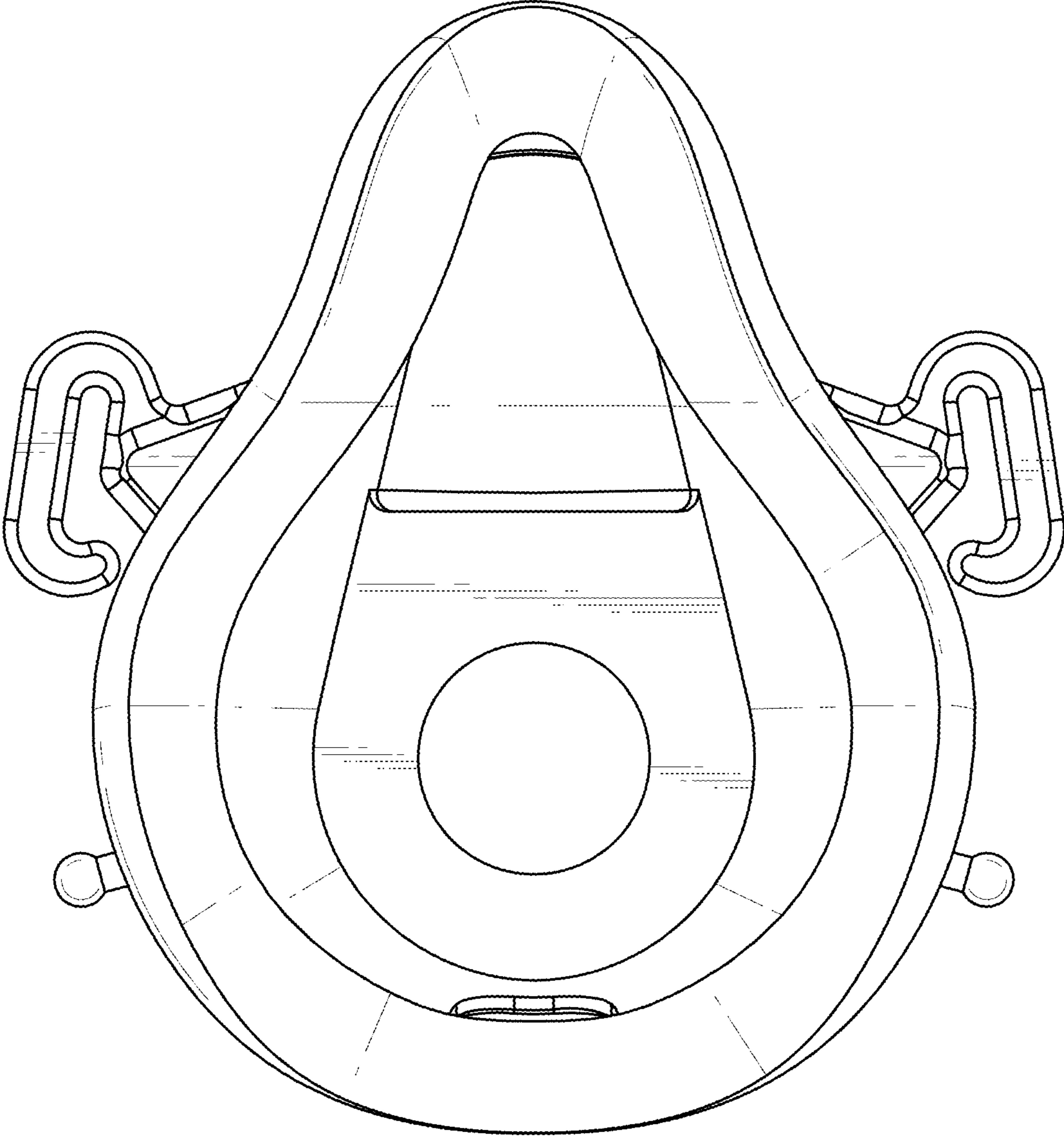


FIG.7

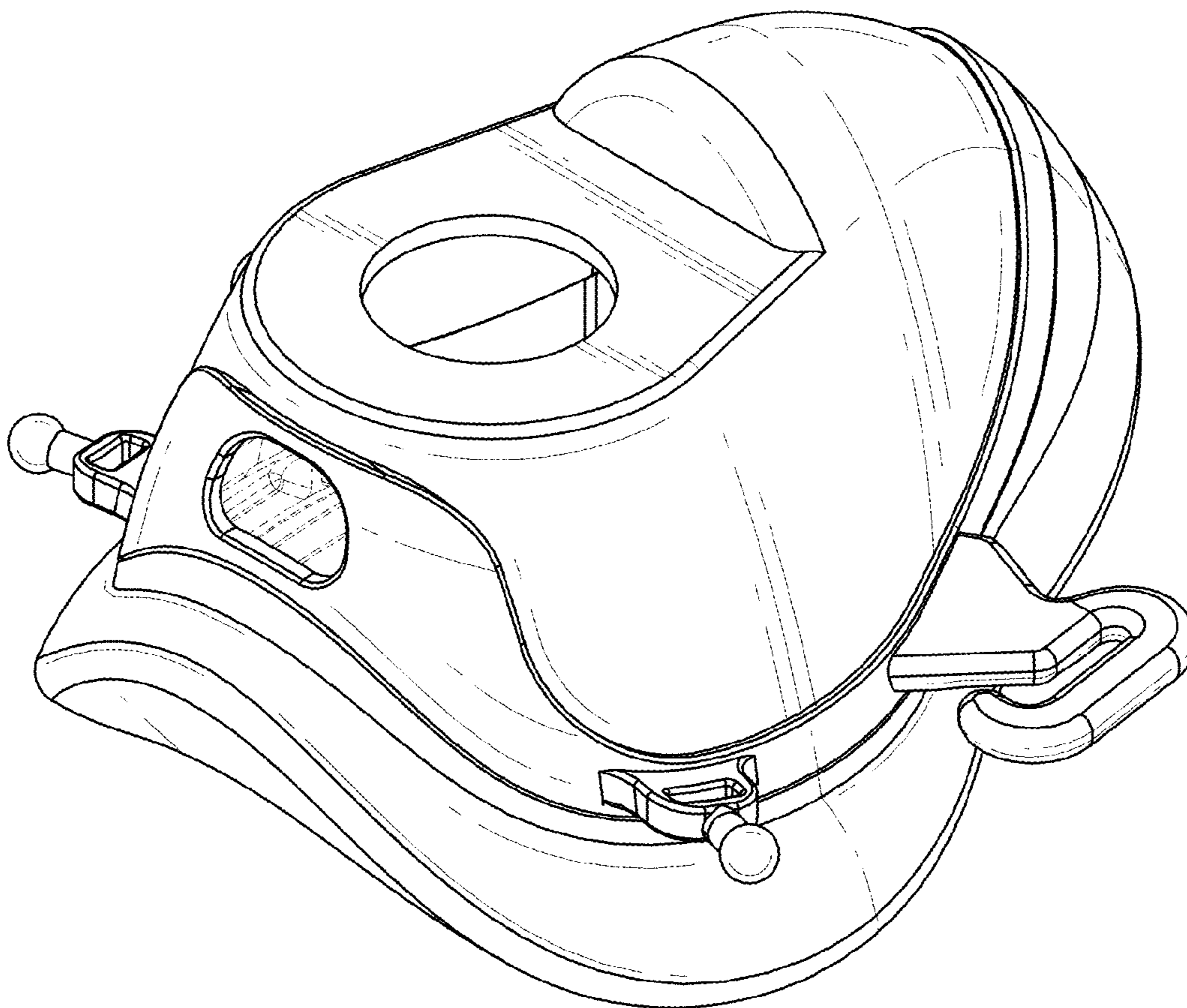


FIG.8

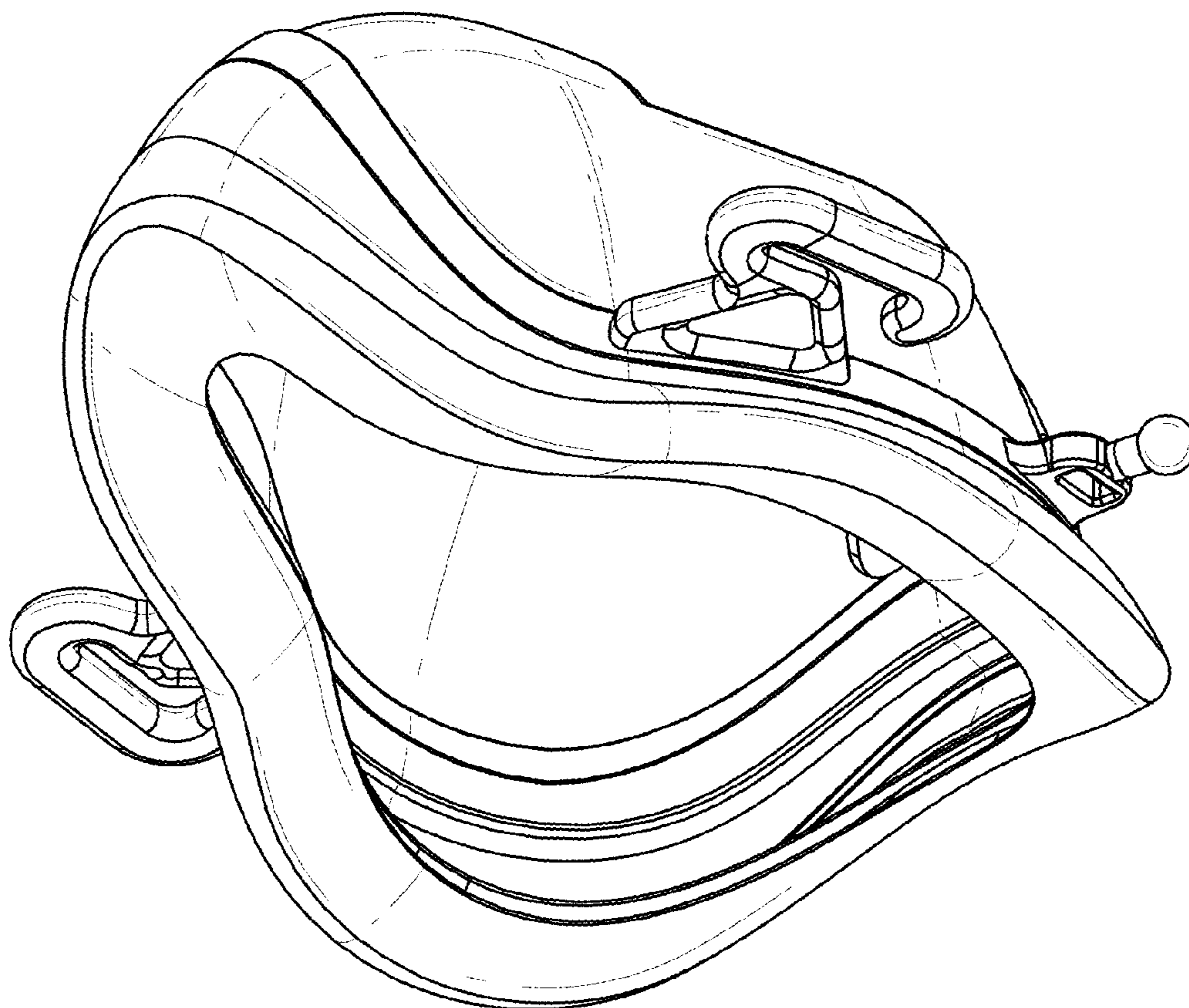


FIG.9

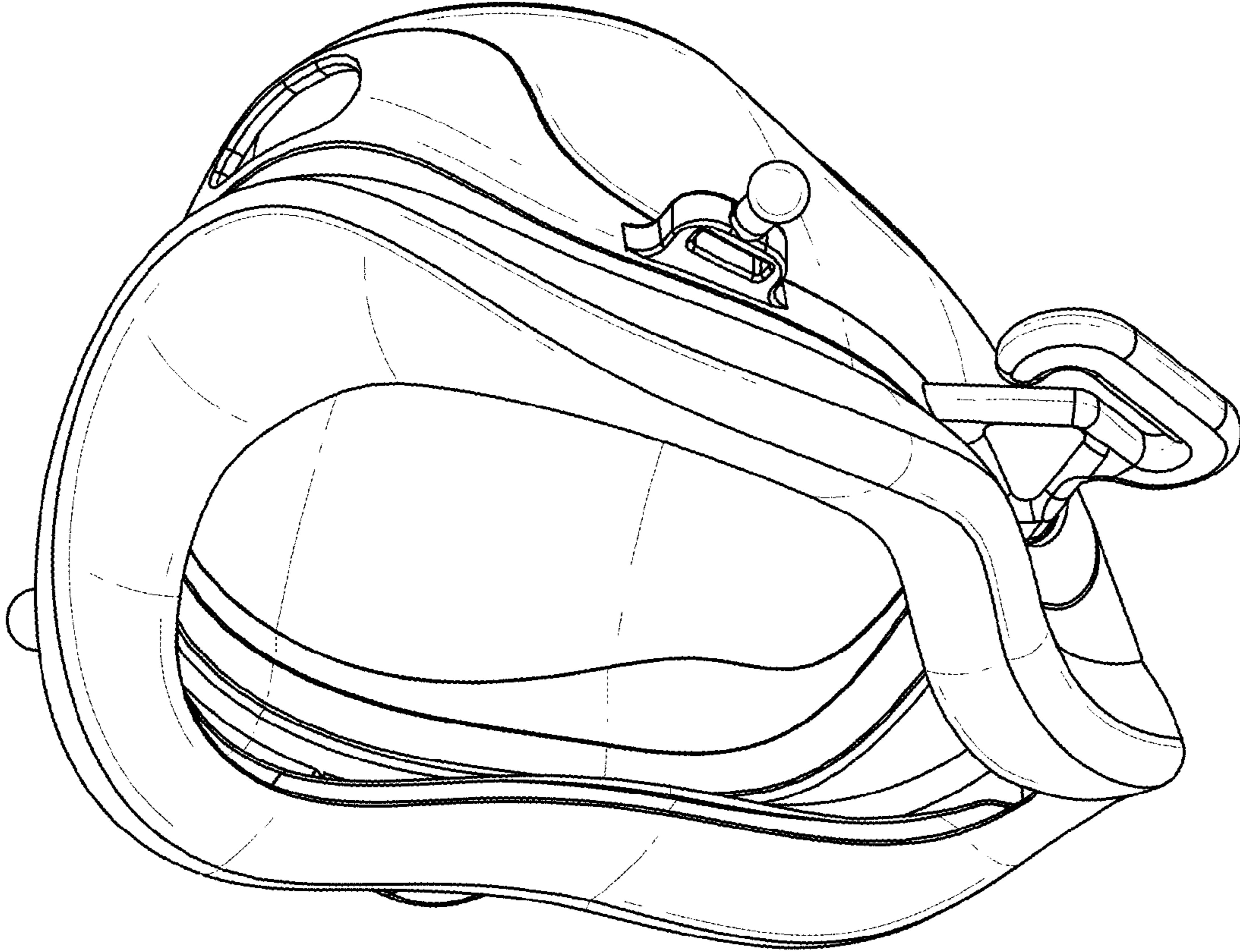


FIG. 10

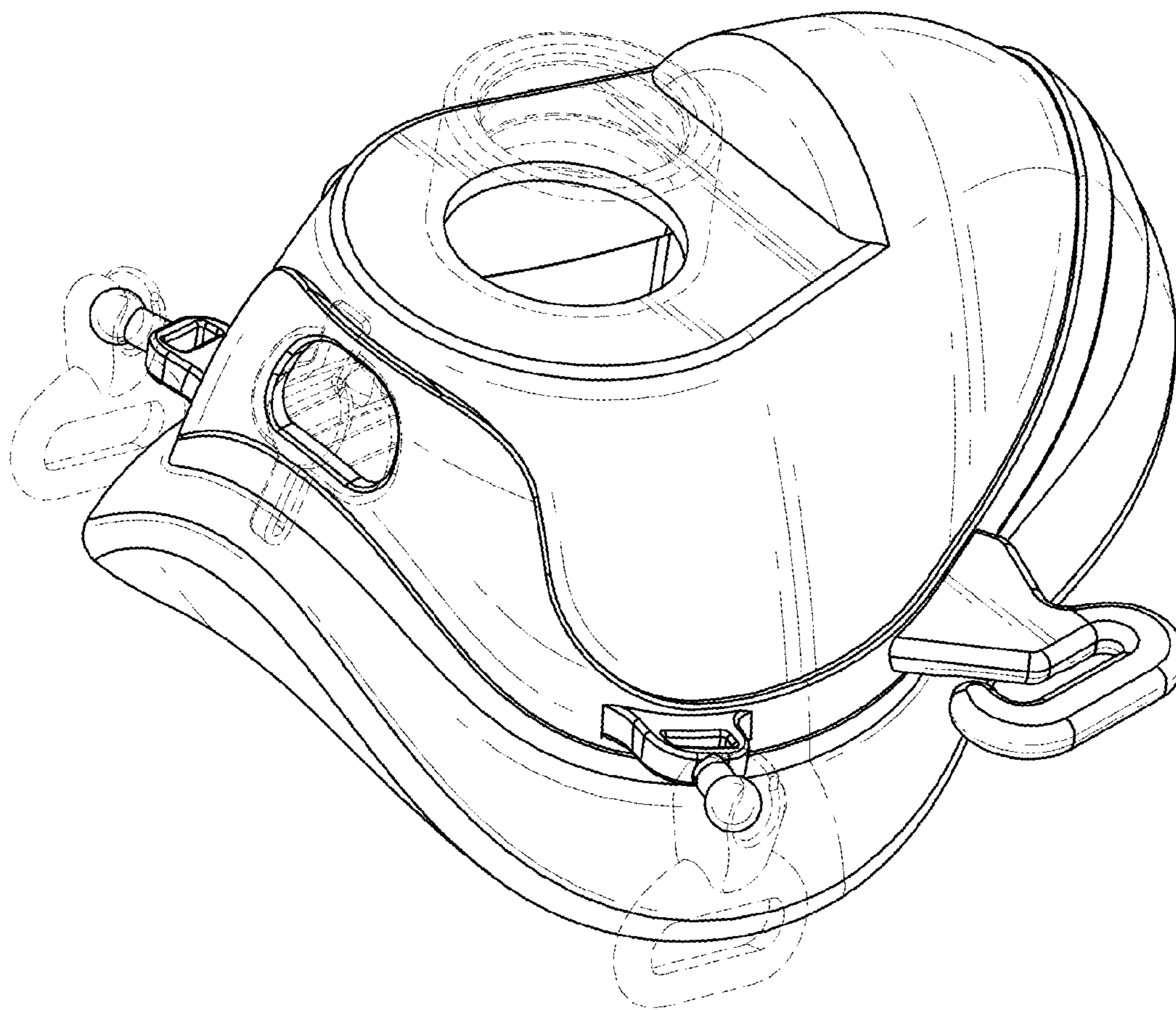


FIG.11