



US00D692126S

(12) **United States Design Patent**
Lee

(10) **Patent No.:** **US D692,126 S**
(45) **Date of Patent:** **** Oct. 22, 2013**

(54) **RESPIRATORY MASK**

(75) Inventor: **Gary C. J. Lee**, Taipei (TW)

(73) Assignee: **Galemed Corporation.**, Taipei (TW)

(**) Term: **14 Years**

(21) Appl. No.: **29/425,911**

(22) Filed: **Jun. 28, 2012**

(51) **LOC (9) Cl.** **29-02**

(52) **U.S. Cl.**
USPC **D24/110.4**

(58) **Field of Classification Search**
USPC D24/110.1–110.4; 128/205.25, 206.21,
128/206.24, 206.26, 206.28, 207.11
See application file for complete search history.

(56) **References Cited**

U.S. PATENT DOCUMENTS

D468,823	S	*	1/2003	Smart	D24/110.1
D486,226	S	*	2/2004	Guney et al.	D24/110.1
D493,885	S	*	8/2004	Raje et al.	D24/110.1
7,234,466	B2	*	6/2007	Kwok et al.	128/207.11
D558,334	S	*	12/2007	Stallard et al.	D24/110.1
D567,936	S	*	4/2008	Raje et al.	D24/110.1
D582,546	S	*	12/2008	Fujiura et al.	D24/110.1
D624,642	S	*	9/2010	Collazo et al.	D24/110.1
D626,215	S	*	10/2010	Collazo et al.	D24/110.1

7,931,025	B2	*	4/2011	Eaton et al.	128/206.24
2004/0211428	A1	*	10/2004	Jones et al.	128/206.27
2010/0163049	A1	*	7/2010	Osier et al.	128/206.24

* cited by examiner

Primary Examiner — Ian Simmons

Assistant Examiner — Richelle Shelton

(74) *Attorney, Agent, or Firm* — Chun-Ming Shih; HDLS IPR Services

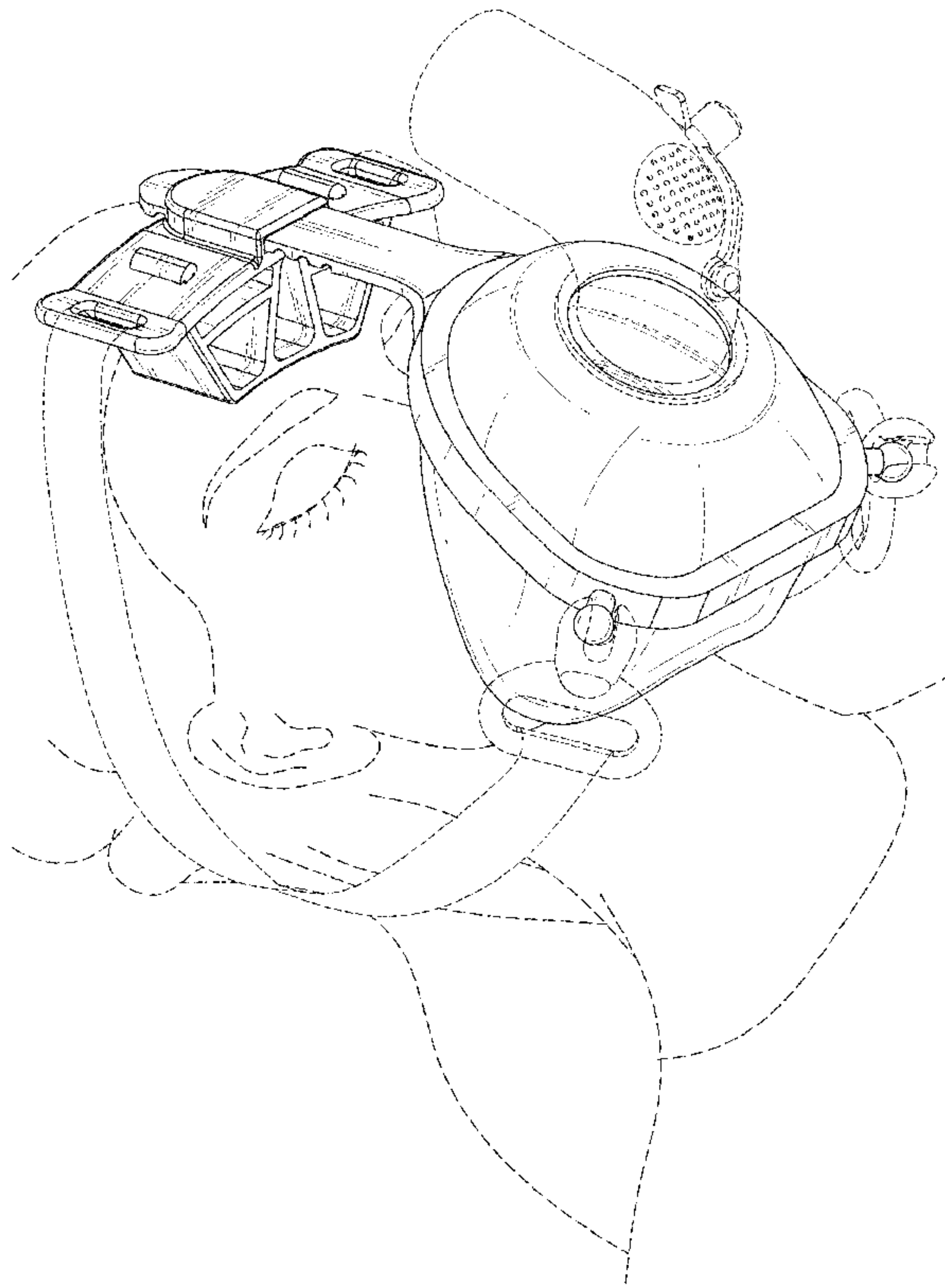
(57) **CLAIM**

The ornamental design for a respiratory mask, as shown and described.

DESCRIPTION

FIG. 1 is a perspective view of a respiratory mask showing my new design;
FIG. 2 is a front view thereof;
FIG. 3 is a rear view thereof;
FIG. 4 is a left side view thereof;
FIG. 5 is a right side view thereof;
FIG. 6 is a top view thereof;
FIG. 7 is a bottom view thereof; and
FIG. 8 is second perspective view showing the respiratory mask; and,
FIG. 9 is a perspective view showing the respiratory mask in use.
The broken lines shown represent unclaimed subject matter and form no part of the claimed design.

1 Claim, 9 Drawing Sheets



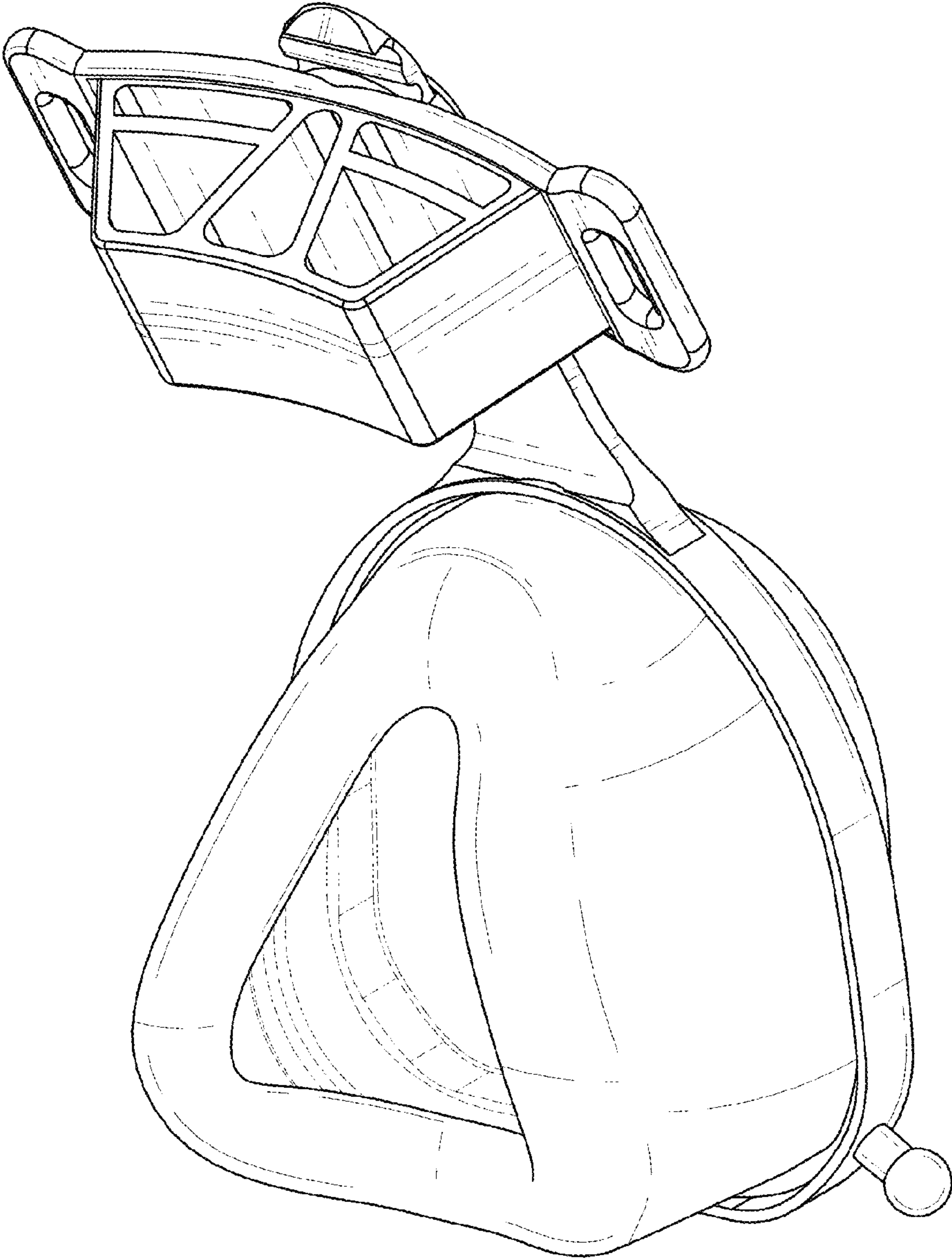


FIG. 1

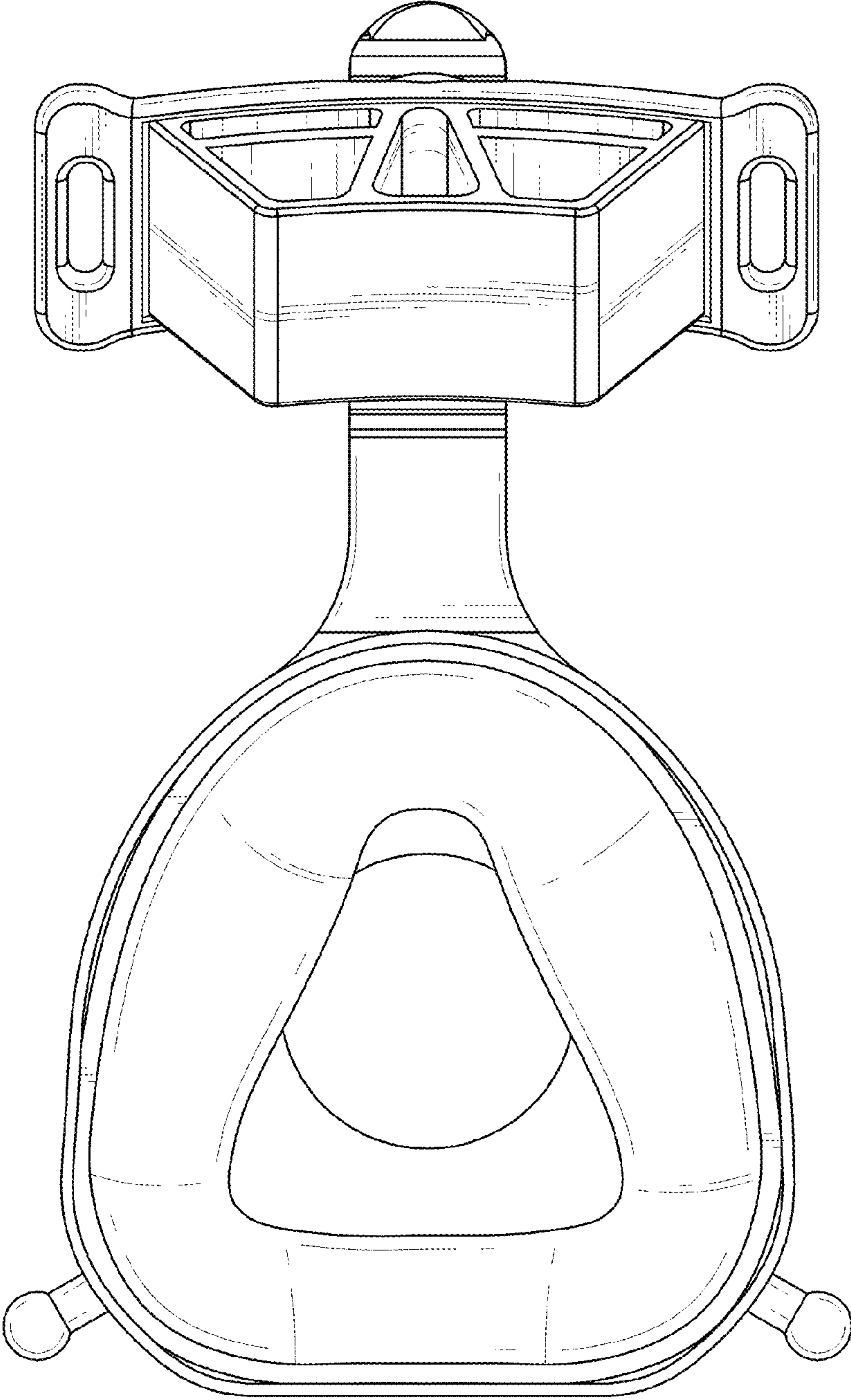


FIG.2

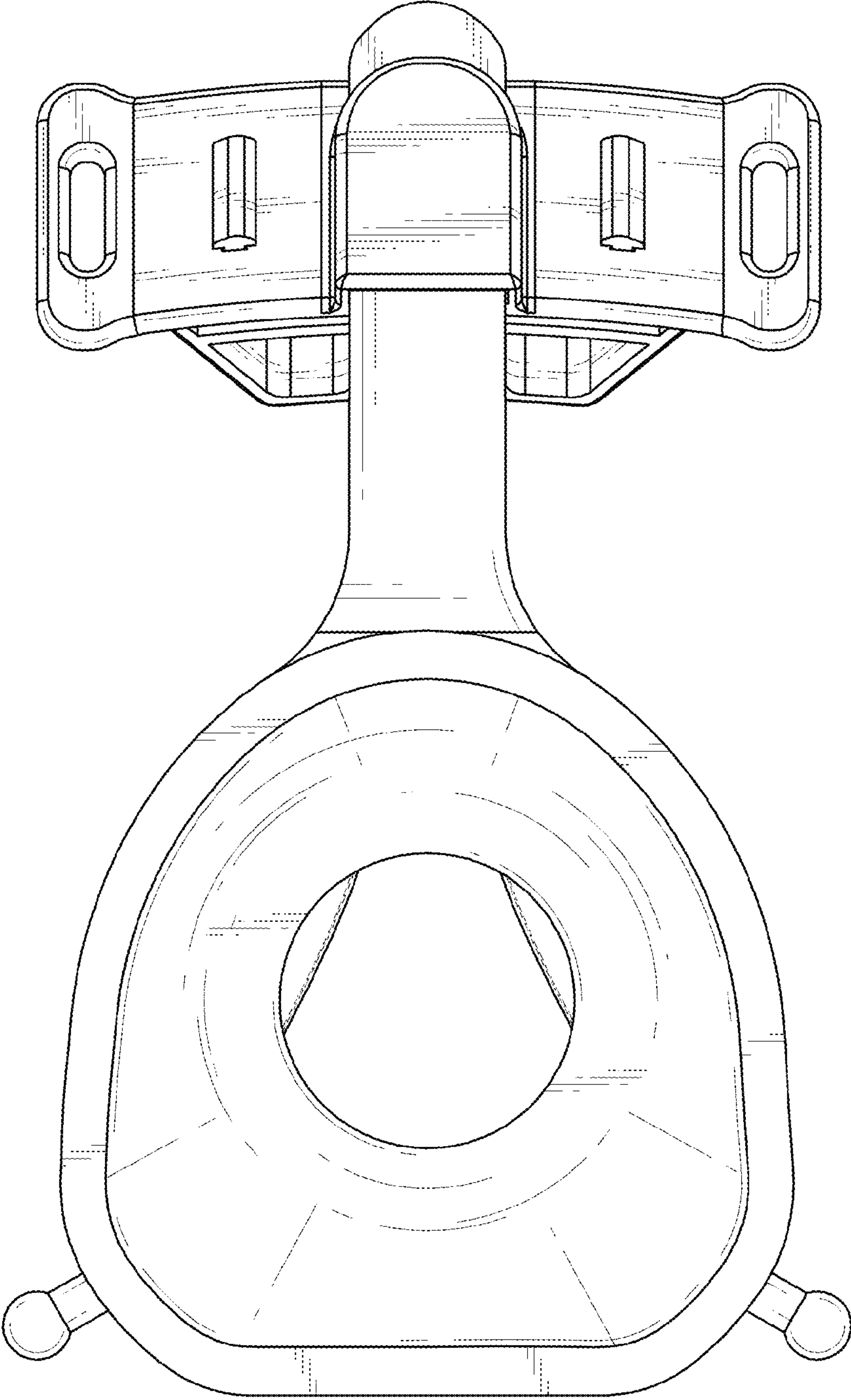


FIG.3

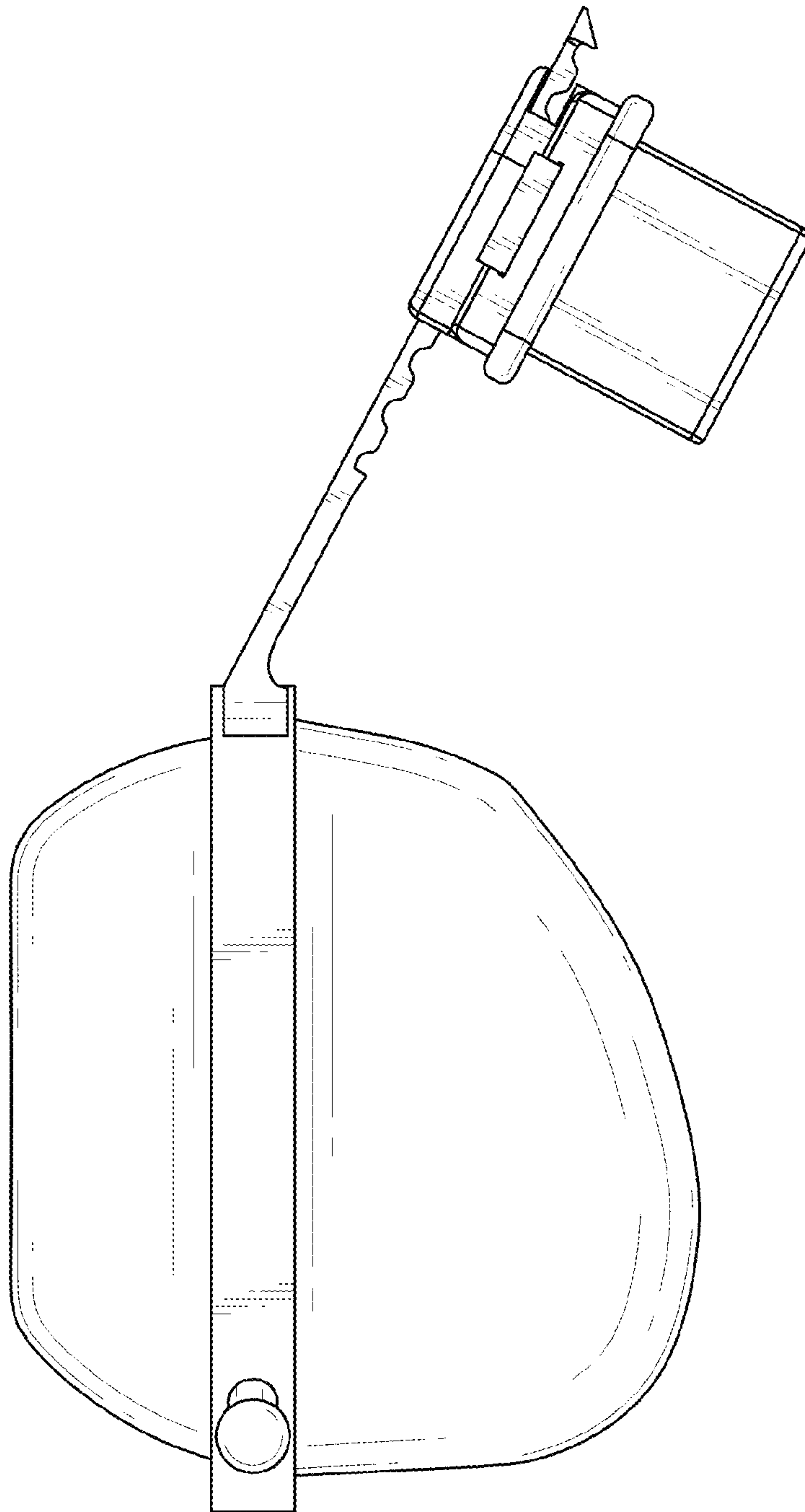


FIG.4

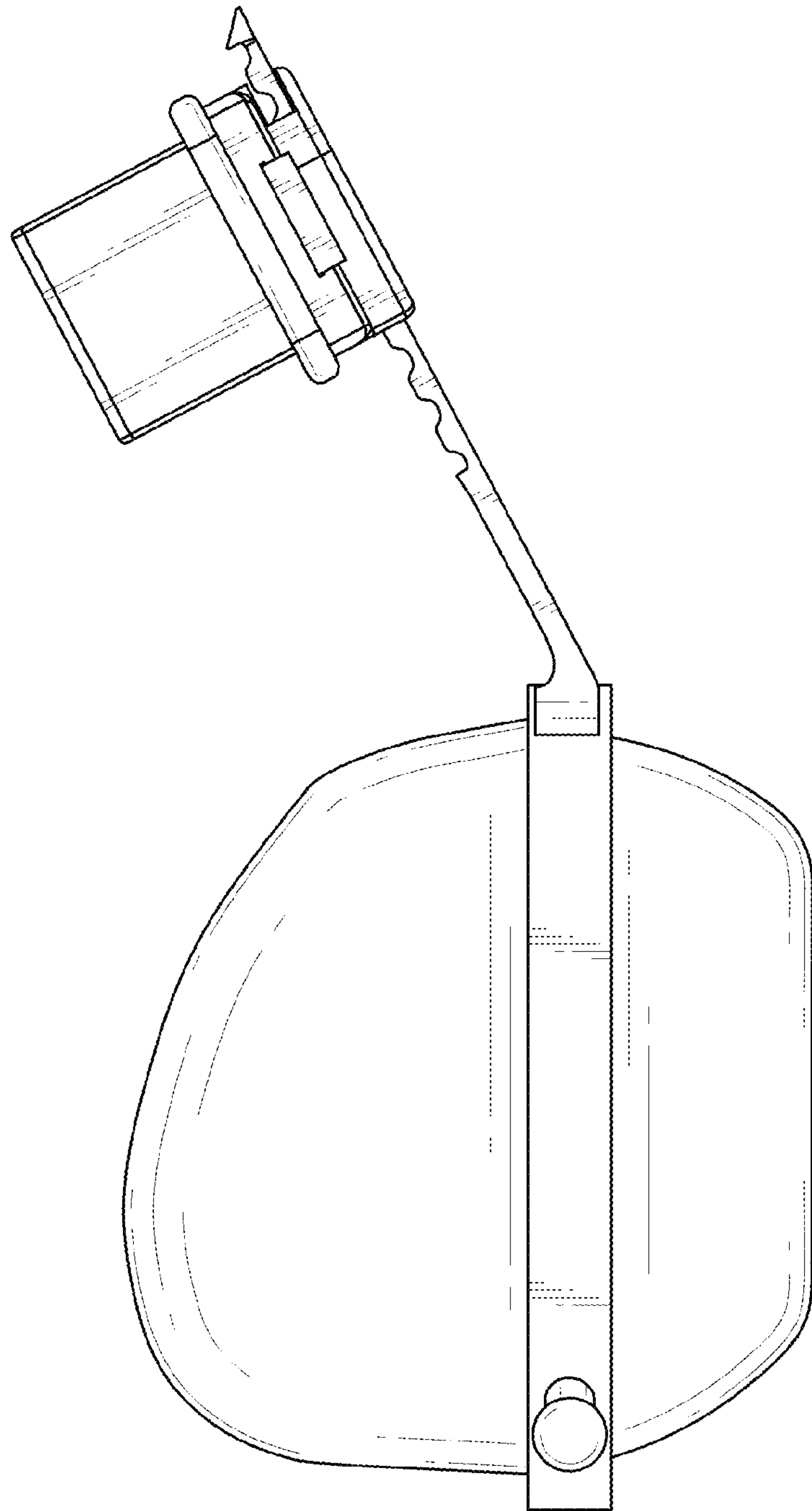


FIG.5

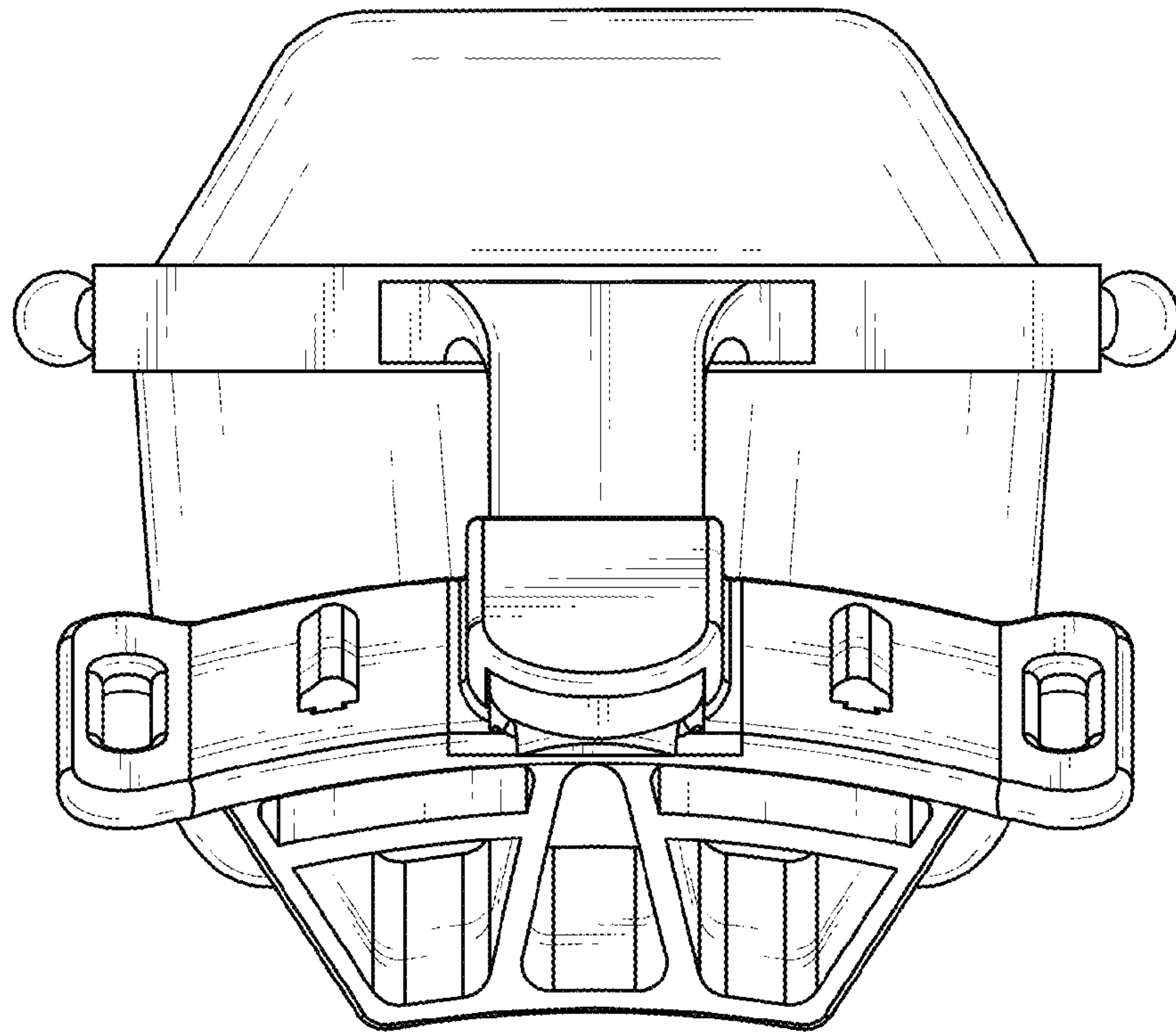


FIG. 6

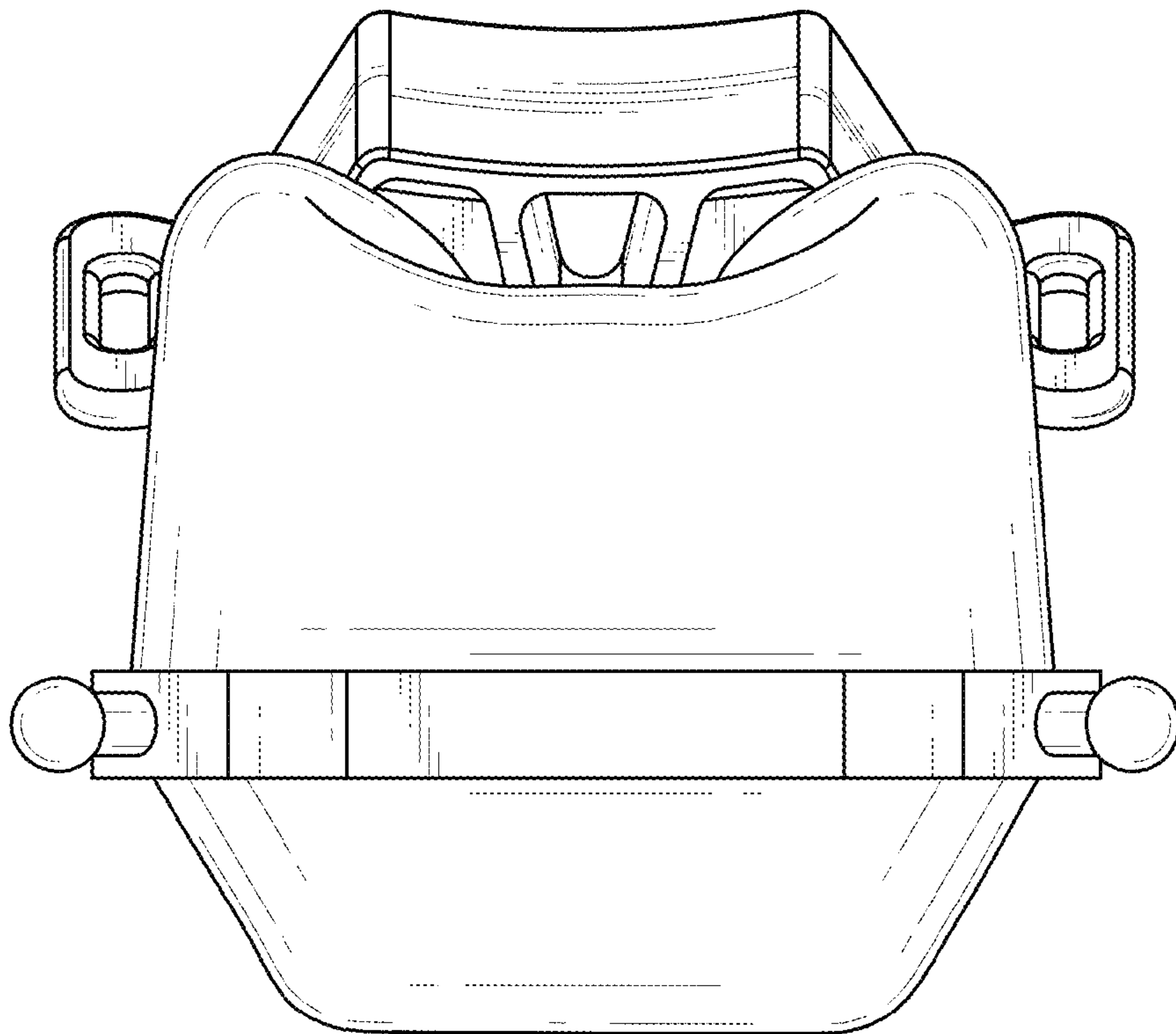


FIG.7

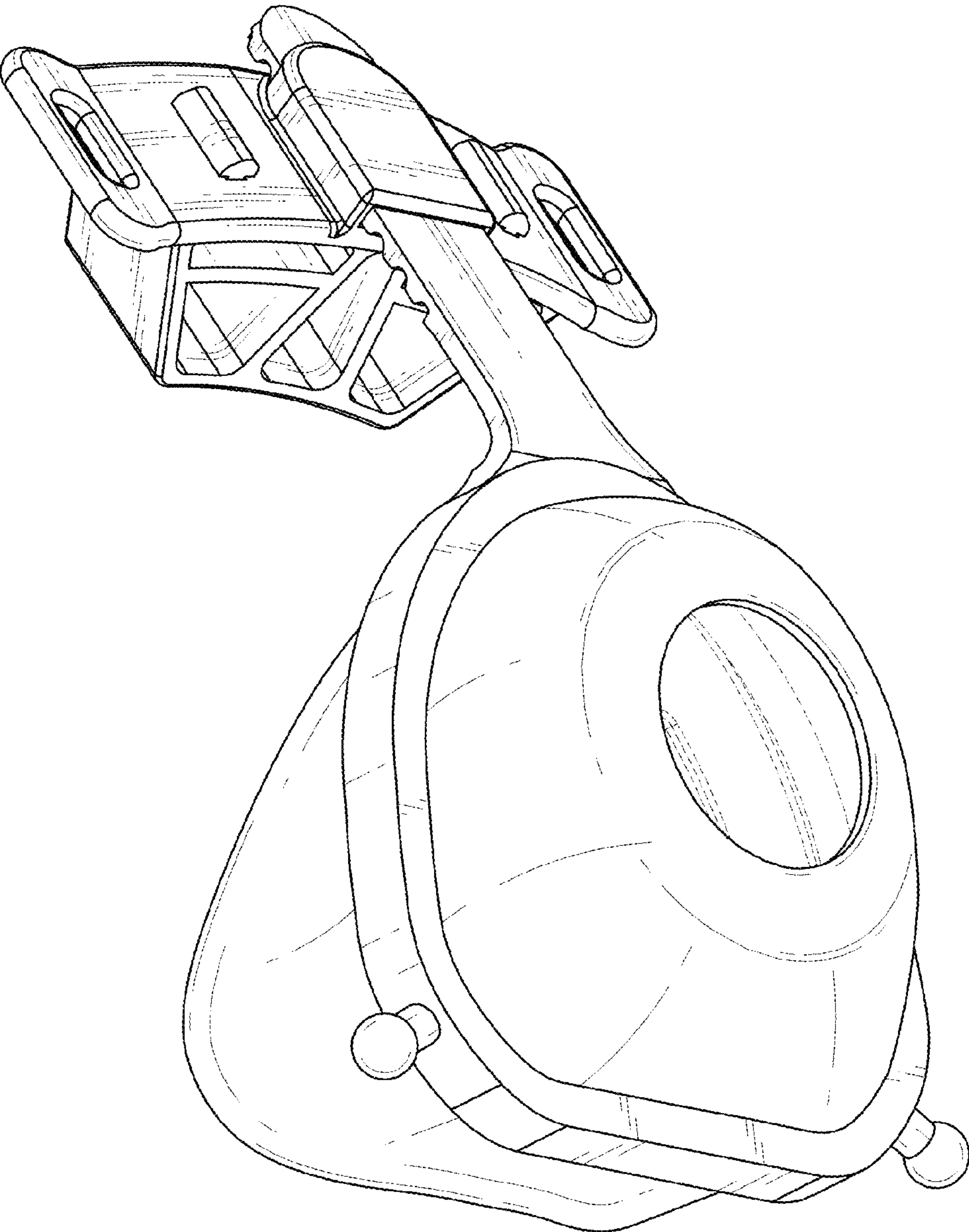


FIG.8

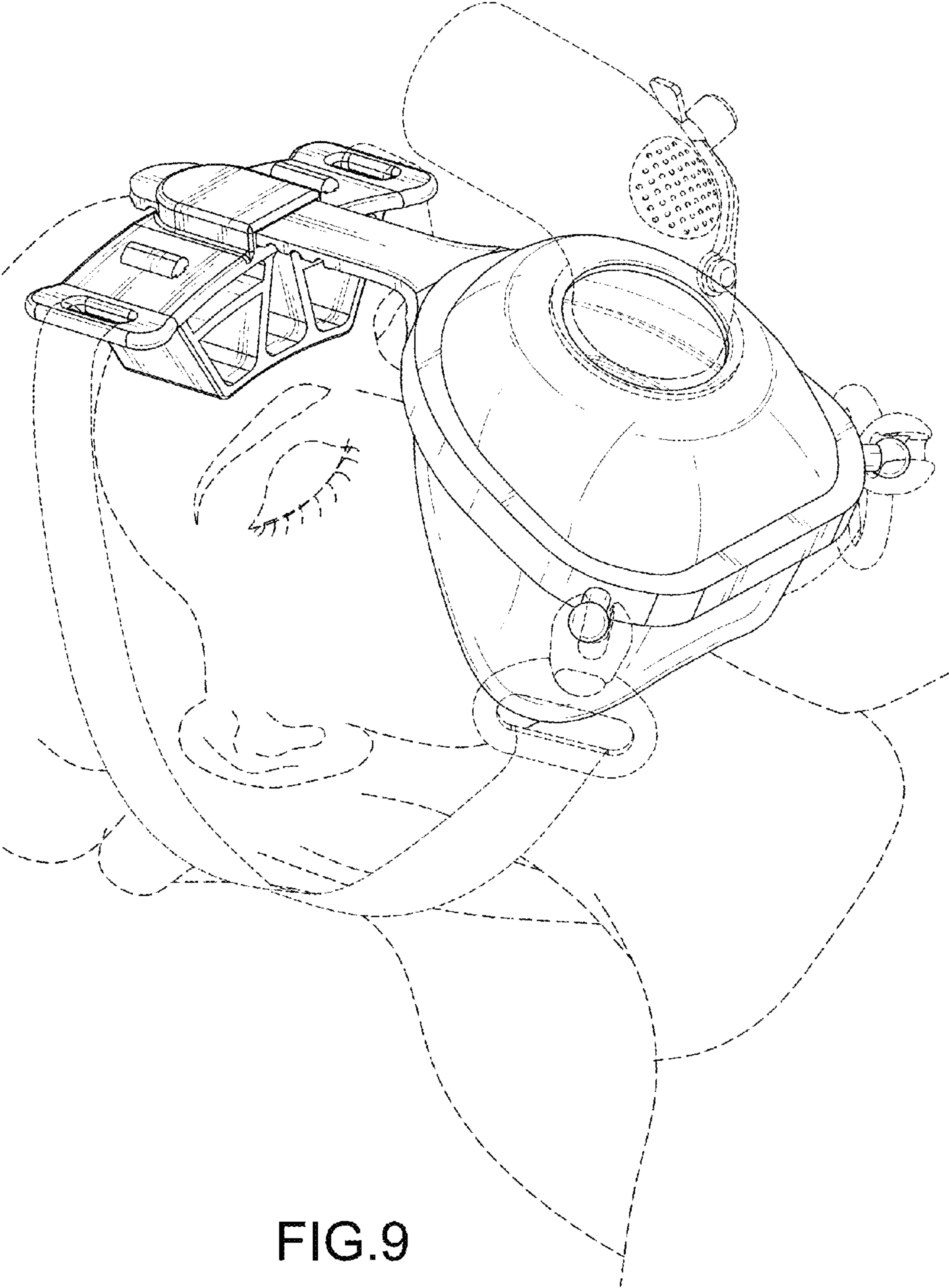


FIG.9