



US00D692120S

(12) **United States Design Patent**
Noble et al.

(10) **Patent No.:** **US D692,120 S**
(45) **Date of Patent:** **** Oct. 22, 2013**

(54) **CEILING FAN WITH LIGHT**

(75) Inventors: **Ernest John Noble**, Petaling Jaya (MY);
Wong Boon Leong, Ipoh (MY); **Yip Nai Hung**, Kaula Lumpur (MY)

(73) Assignee: **Delta T Corporation**, Lexington, KY
(US)

(**) Term: **14 Years**

(21) Appl. No.: **29/414,738**

(22) Filed: **Mar. 2, 2012**

(51) **LOC (9) Cl.** **23-04**

(52) **U.S. Cl.**
USPC **D23/411**; D23/385; D26/59

(58) **Field of Classification Search**
USPC D23/328, 355, 370, 377, 379, 385, 386,
D23/411, 413; D26/59, 72, 85; 416/5, 62,
416/93 R, 170 R, 210 R, 223 R, 242, 243;
362/147, 149, 253, 294, 311.1, 335;
248/343

See application file for complete search history.

(56) **References Cited**

U.S. PATENT DOCUMENTS

D328,639 S *	8/1992	Hsieh	D23/377
D346,438 S *	4/1994	Caldwell	D23/377
D347,887 S *	6/1994	Liu	D23/377
D451,189 S *	11/2001	Liu	D23/411
D507,342 S *	7/2005	Chen	D23/377
D508,120 S *	8/2005	Chen	D23/377
D510,763 S *	10/2005	Da Costa	D23/377
D572,814 S *	7/2008	Bucher et al.	D23/377

D573,737 S *	7/2008	Lee	D26/59
D599,461 S *	9/2009	Ertze	D23/377
D614,757 S *	4/2010	Noble	D23/377

* cited by examiner

Primary Examiner — Caron D Veynar

Assistant Examiner — Martie K Holtje

(74) *Attorney, Agent, or Firm* — King & Shickli, PLLC

(57) **CLAIM**

The ornamental design for a ceiling fan with light, as shown and described.

DESCRIPTION

FIG. 1 is a bottom perspective view of a ceiling fan with light showing our new design;

FIG. 2 is a front elevational view thereof;

FIG. 3 is a rear elevational view thereof;

FIG. 4 is a left side elevational view thereof;

FIG. 5 is a right side elevational view thereof;

FIG. 6 is a top plan view thereof;

FIG. 7 is a bottom plan view thereof;

FIG. 8 is a bottom perspective view of FIG. 1 shown in an alternate environment;

FIG. 9 is a front elevational view of FIG. 8;

FIG. 10 is a rear elevational view of FIG. 8;

FIG. 11 is a left side elevational view of FIG. 8;

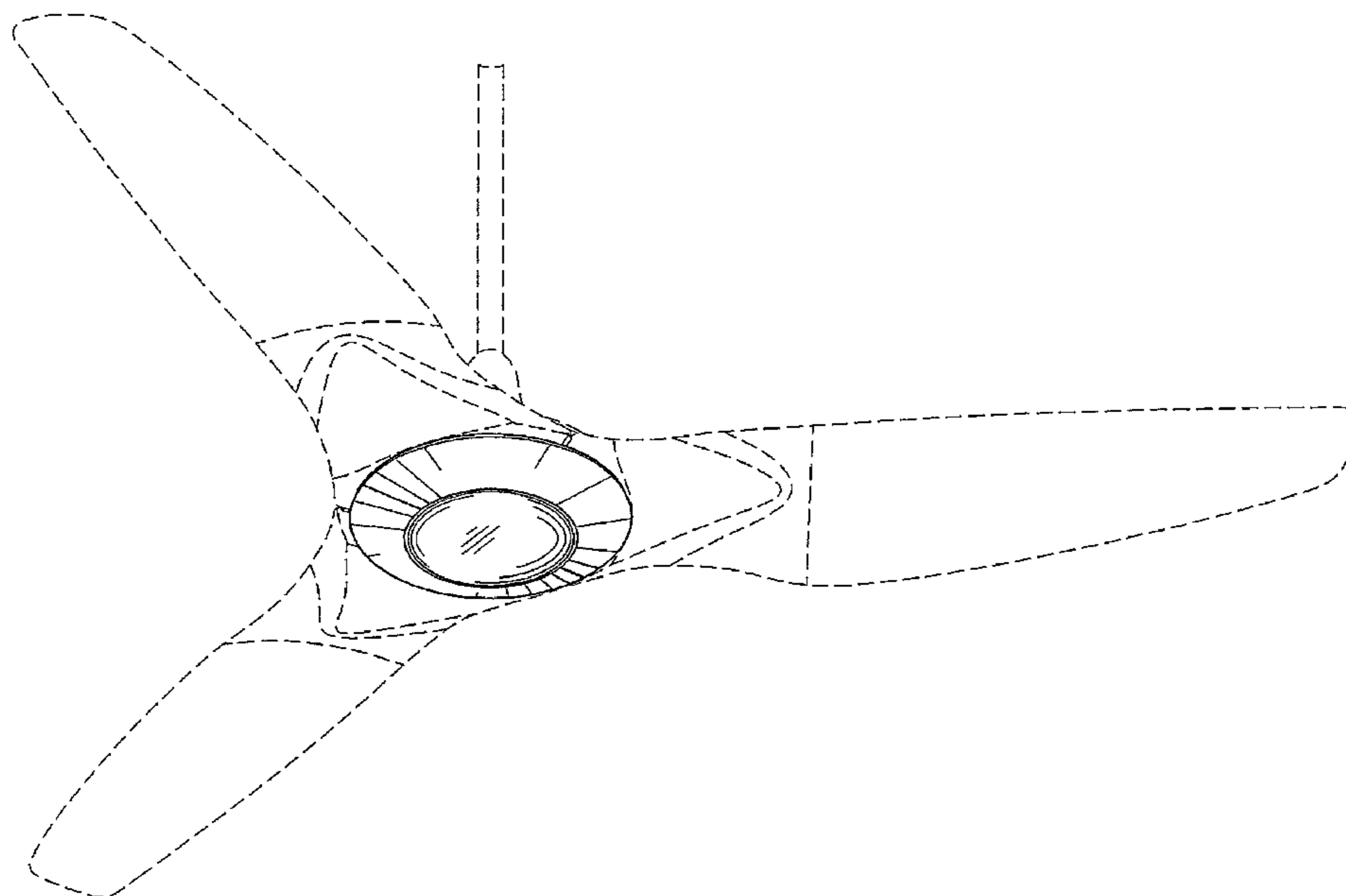
FIG. 12 is a right side elevational view of FIG. 8;

FIG. 13 is a top plan view of FIG. 8; and,

FIG. 14 is a bottom plan view of FIG. 8.

The fan mount components, fan blade portions, and hub shown in broken lines are unclaimed subject matter, and form no part of the claimed design.

1 Claim, 14 Drawing Sheets



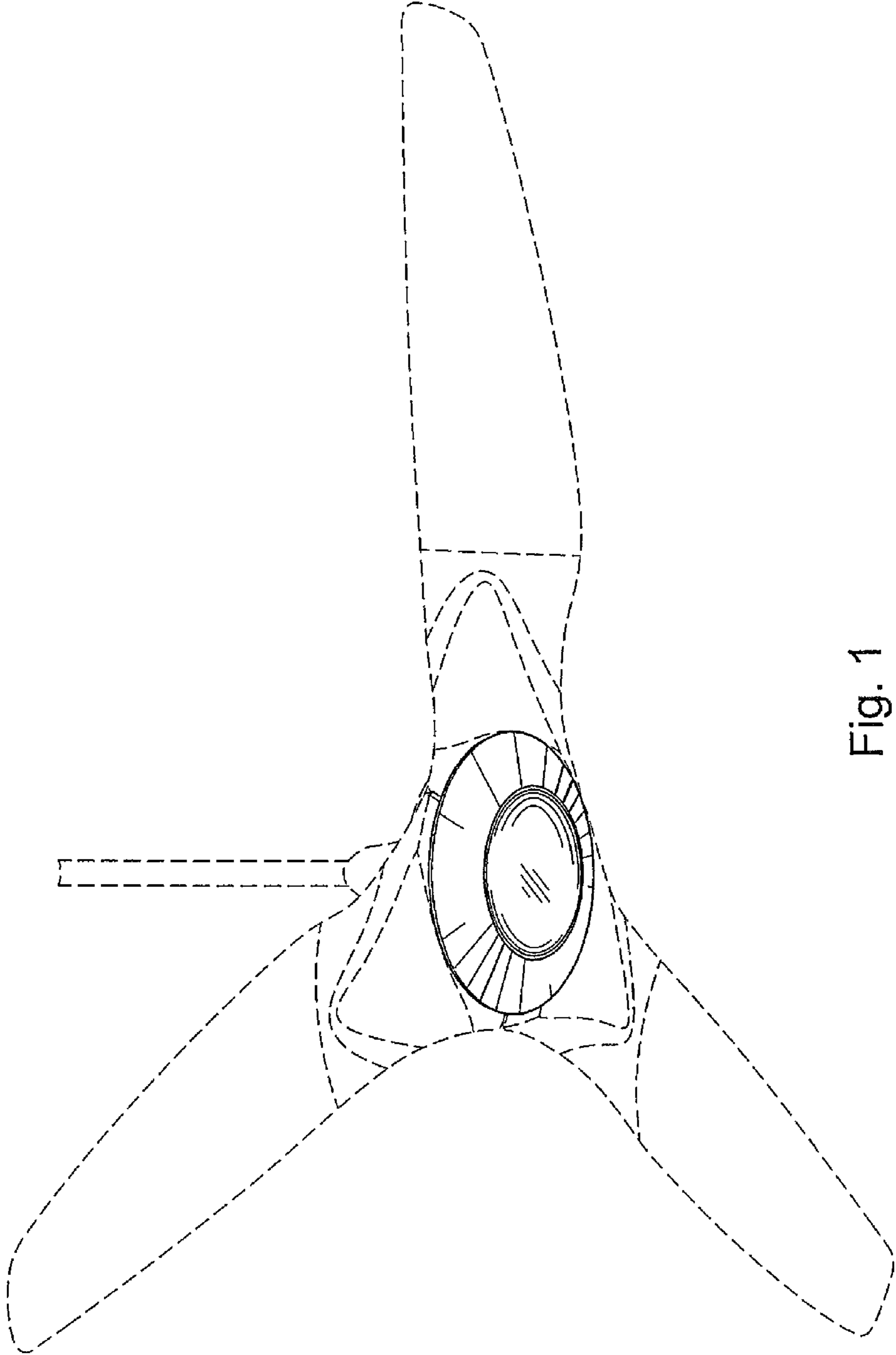


Fig. 1

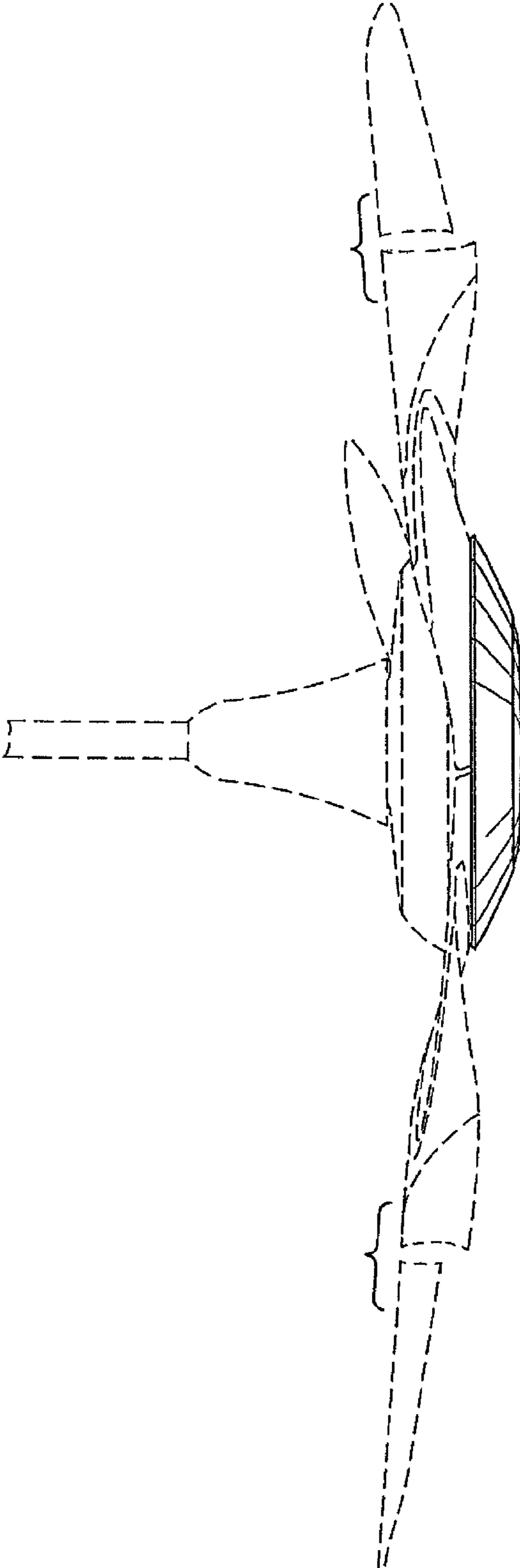


Fig. 2

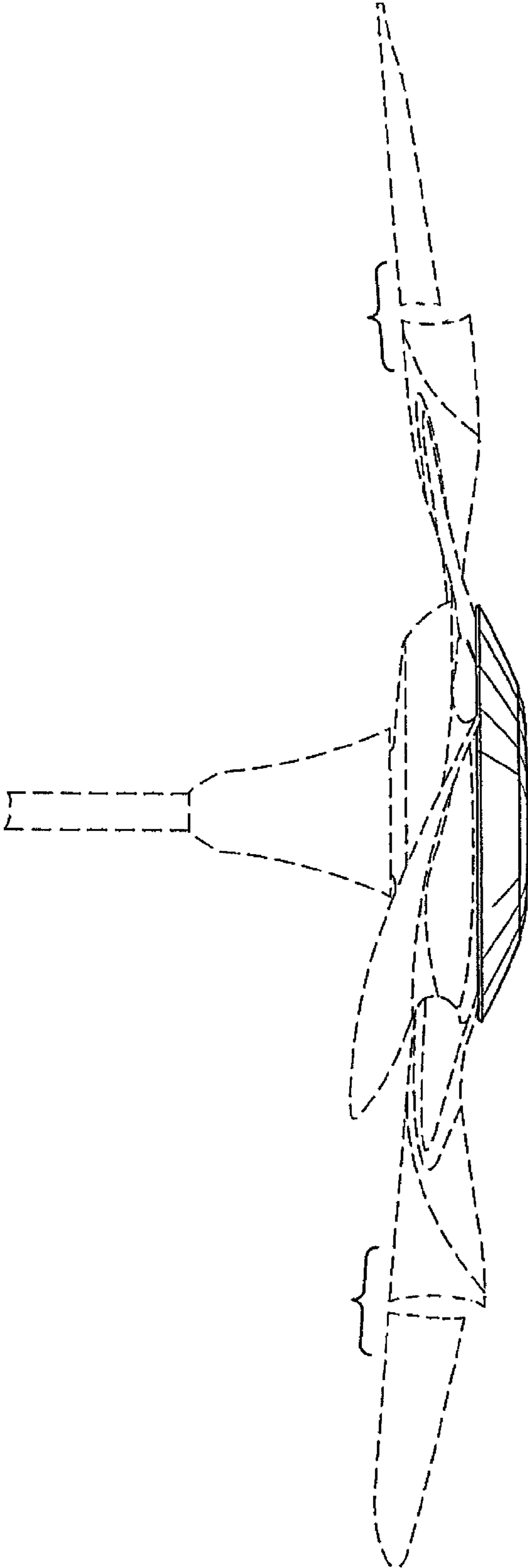


Fig. 3

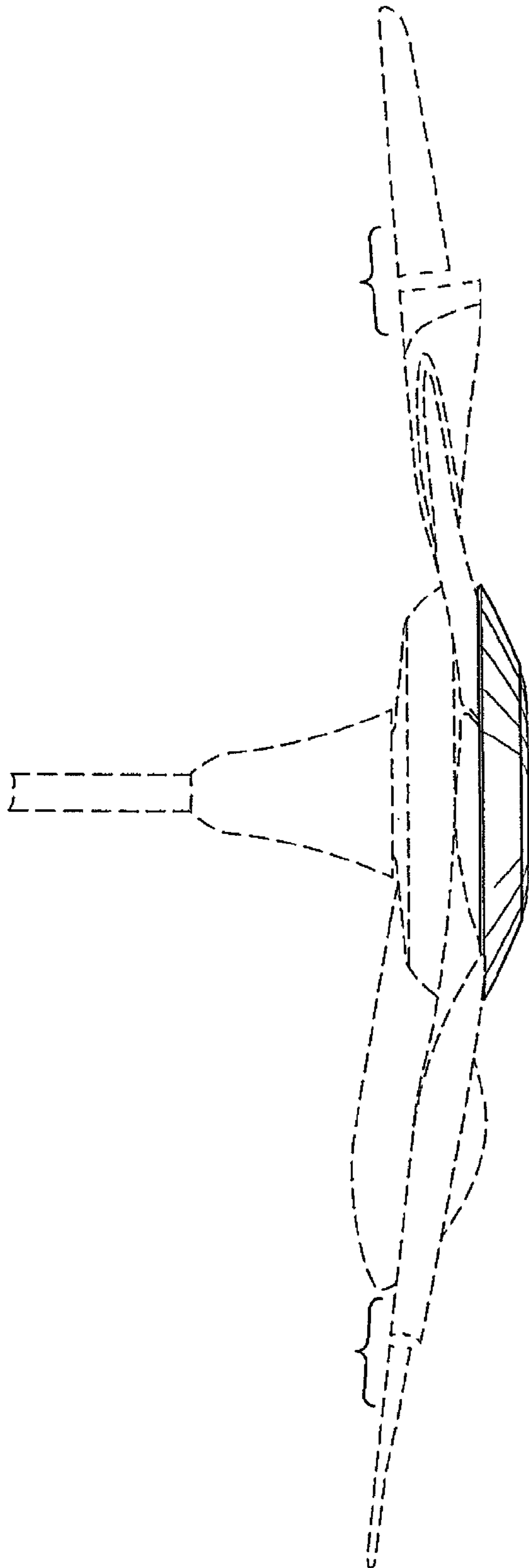


Fig.4

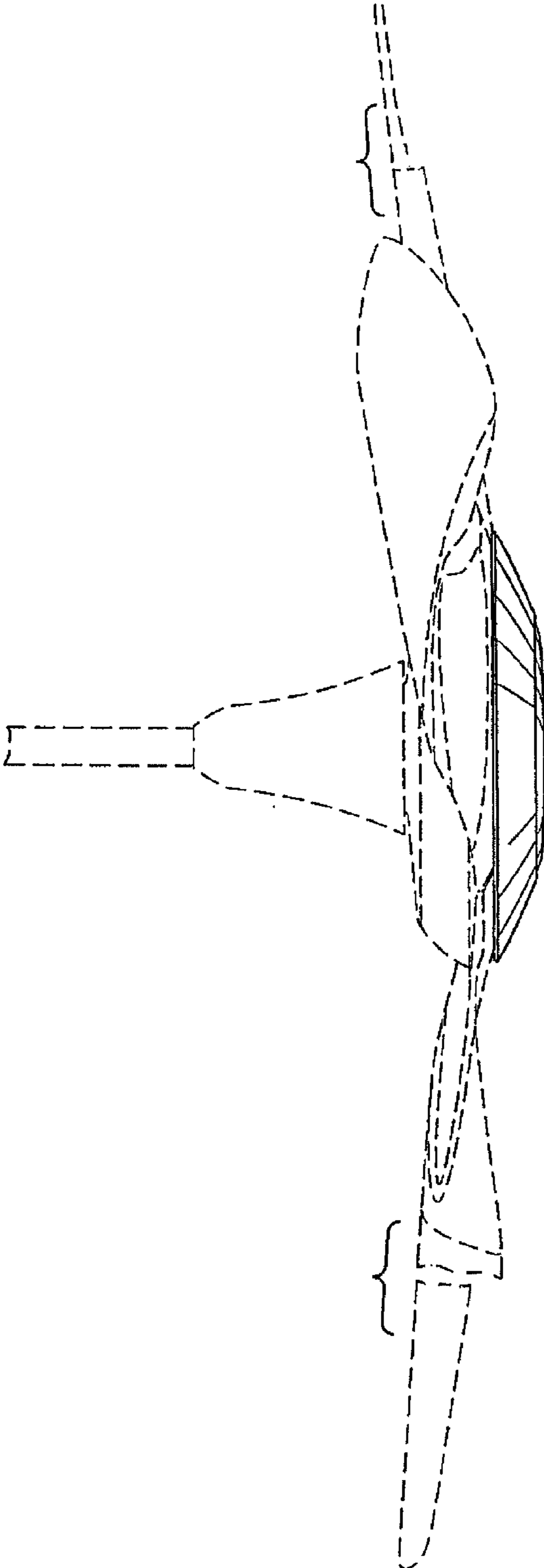


Fig. 5

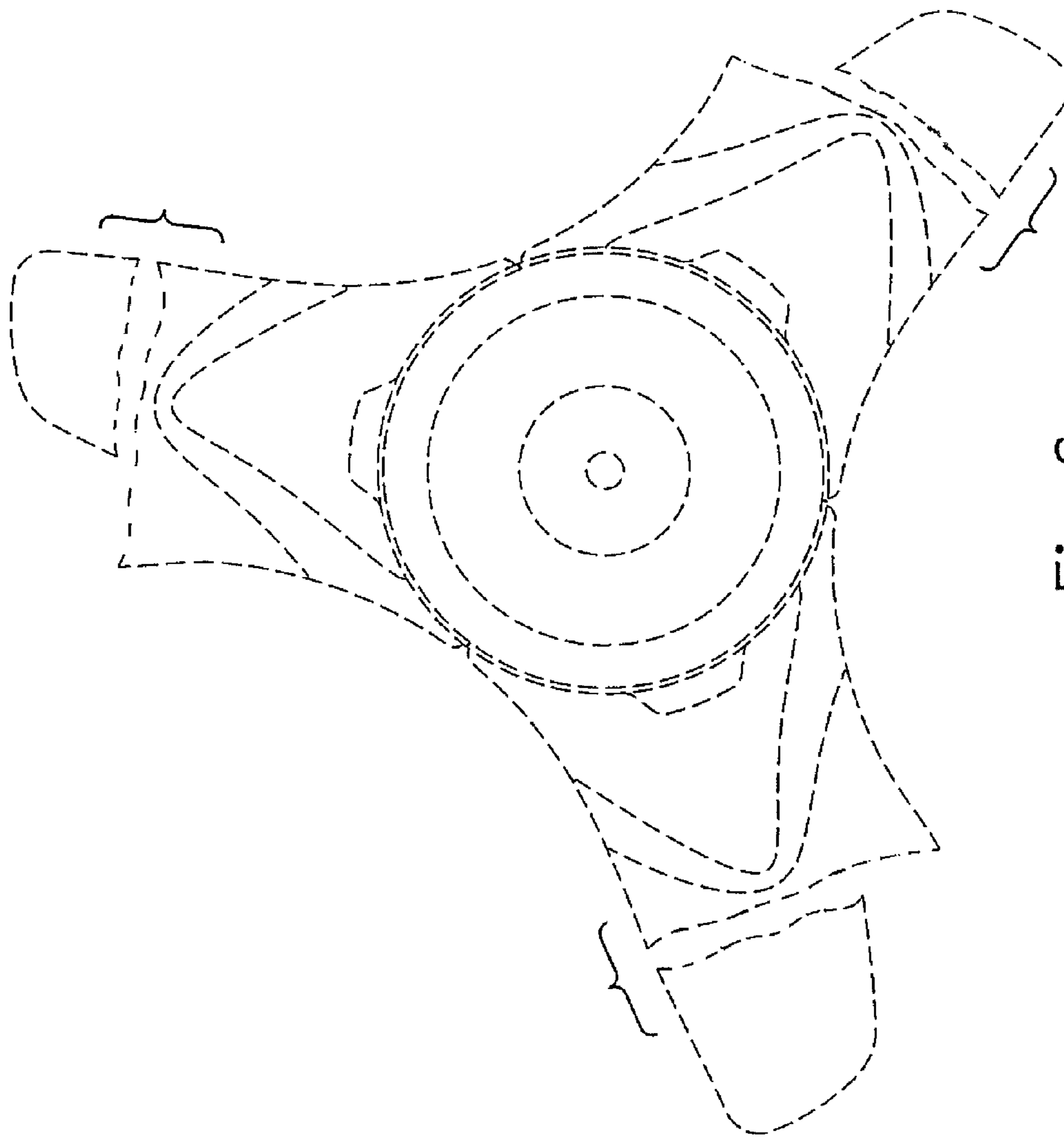


Fig. 6

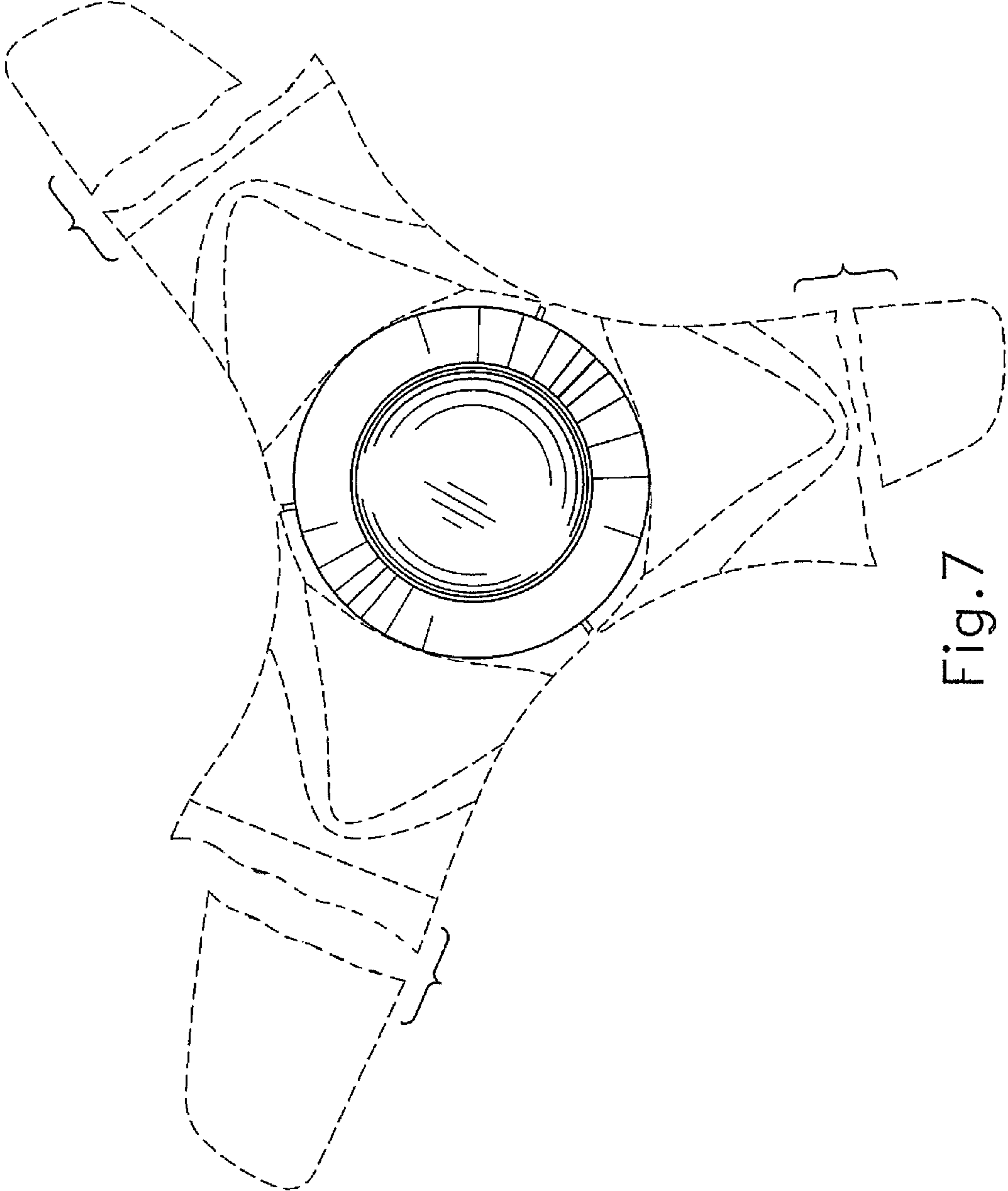


Fig. 7

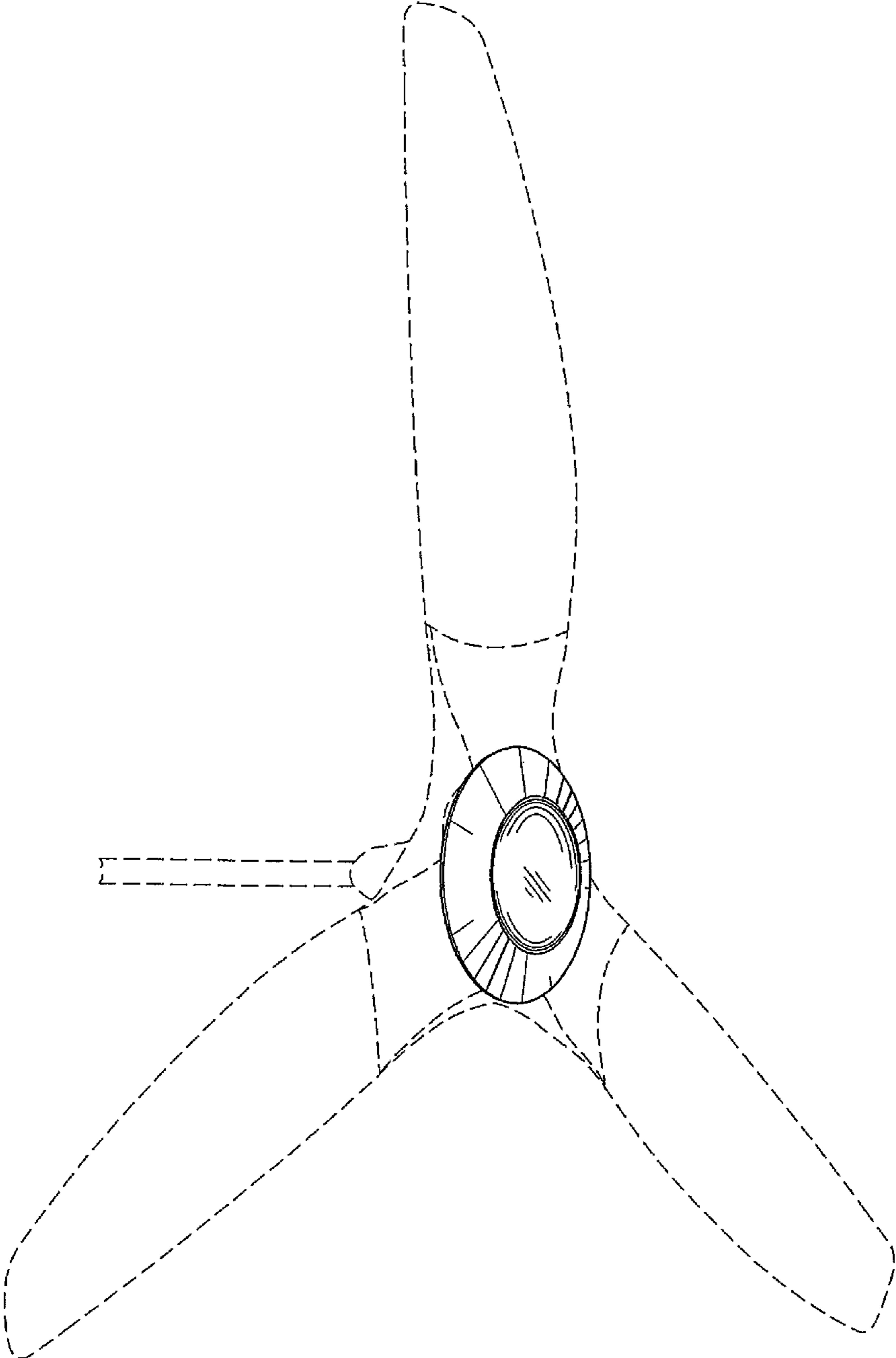


Fig. 8

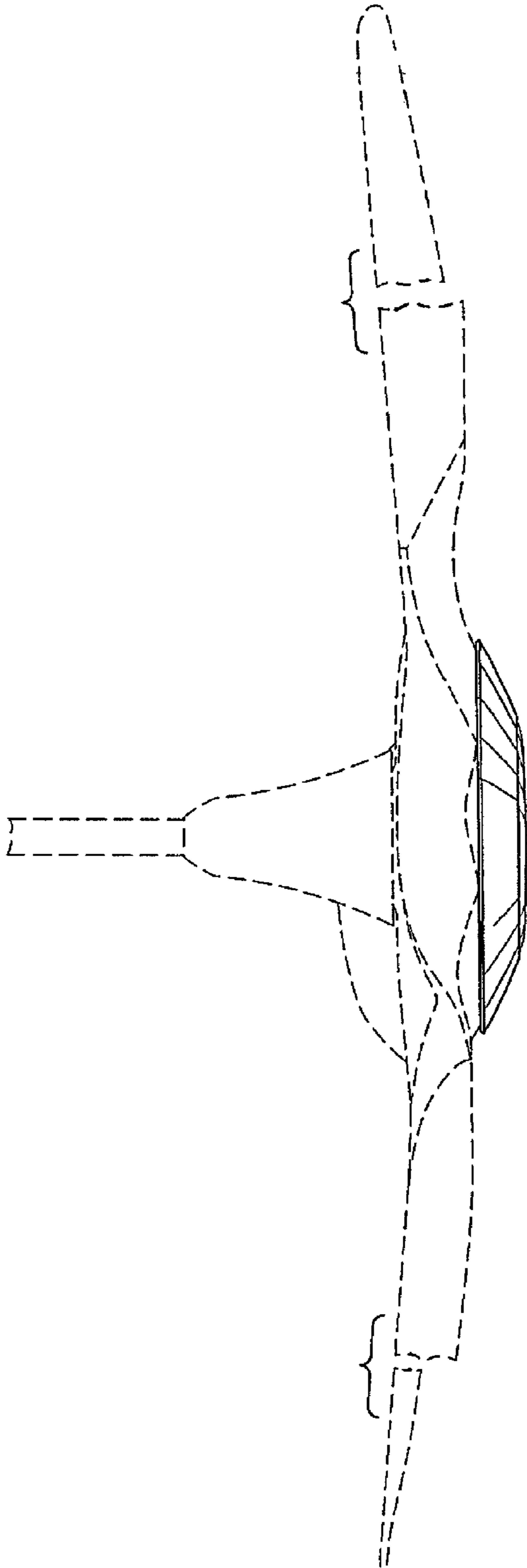


Fig.9

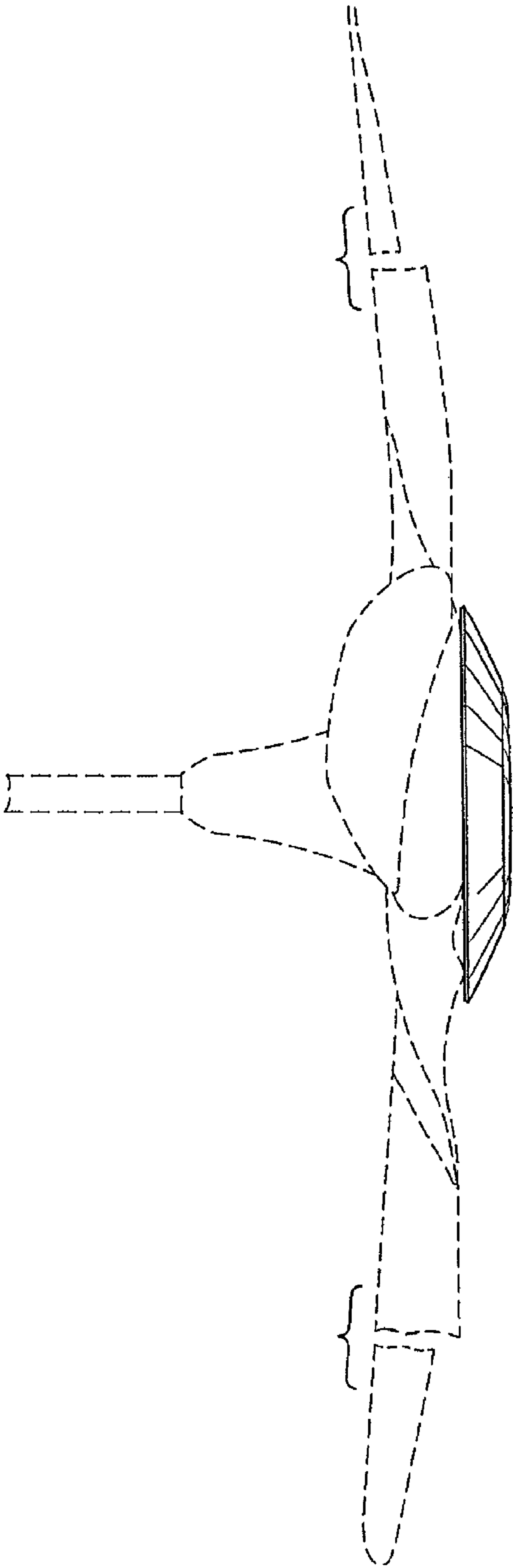


Fig. 10

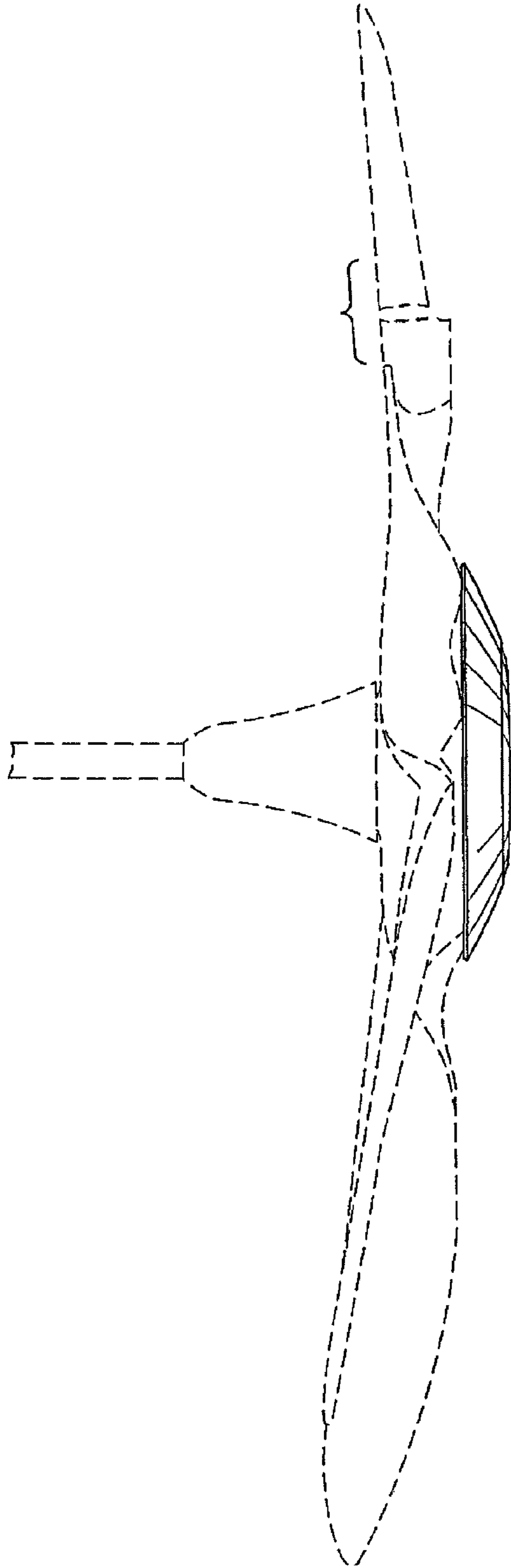


Fig. 11

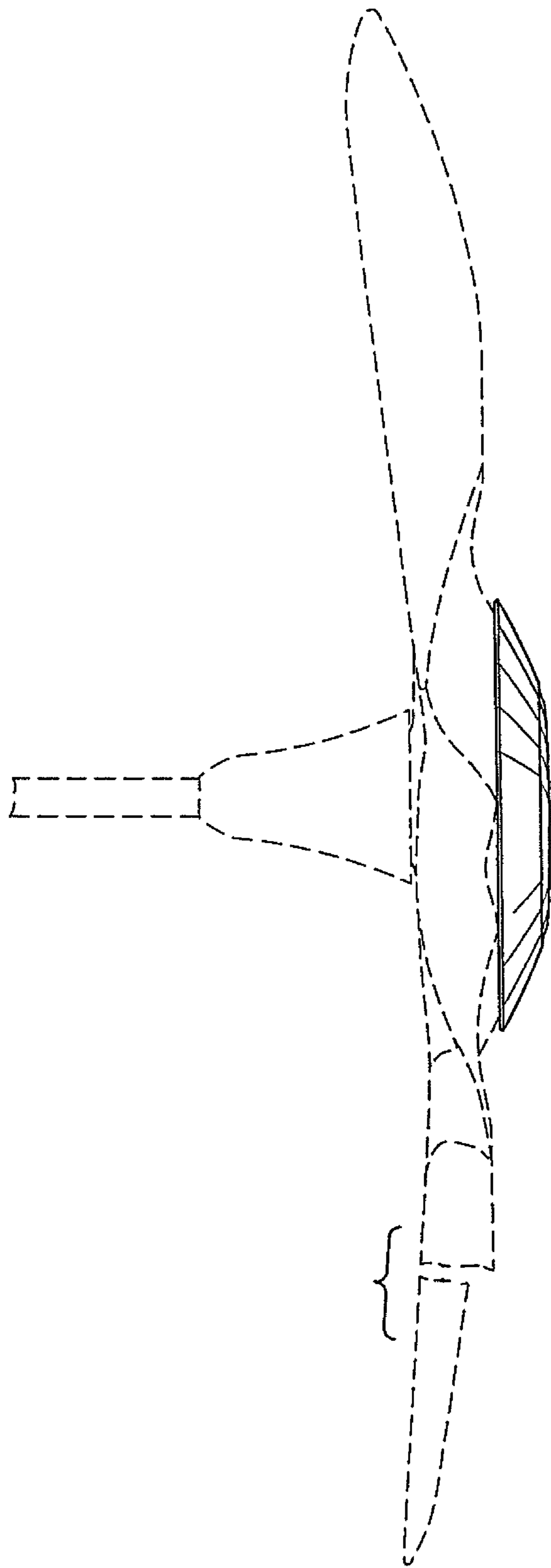


Fig. 12

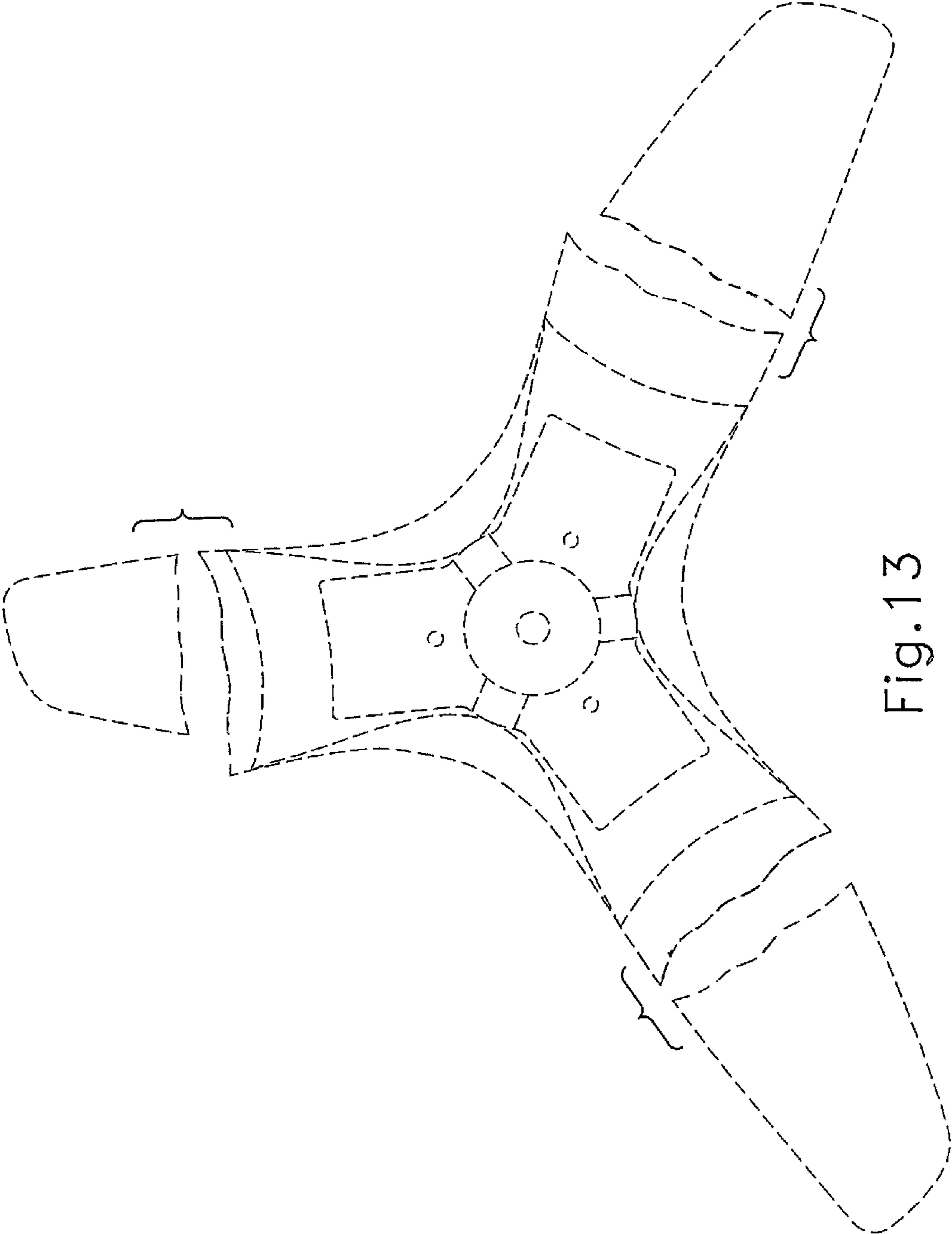


Fig. 13

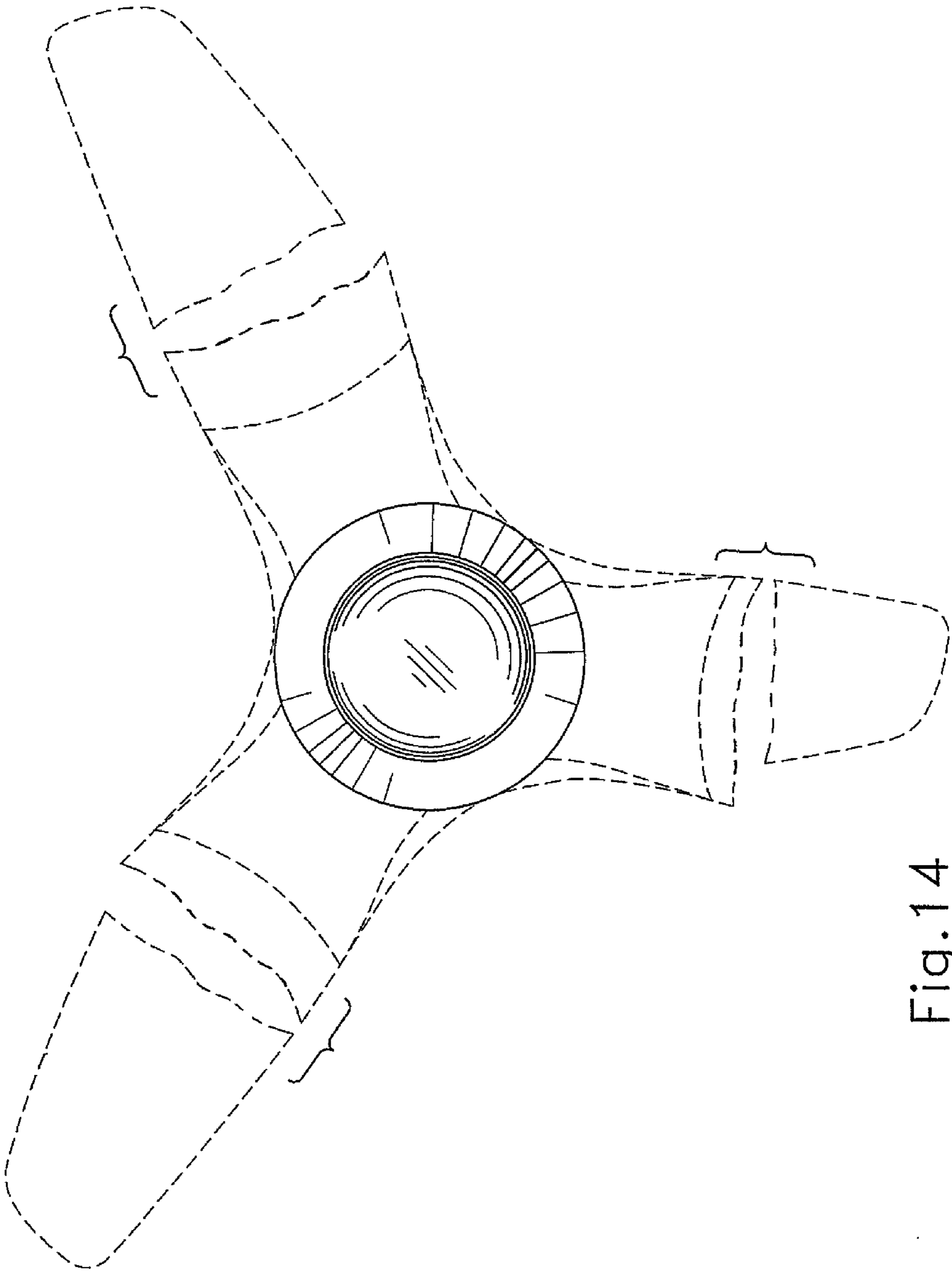


Fig. 14