



US00D692119S

(12) **United States Design Patent**
Rasmussen

(10) **Patent No.:** **US D692,119 S**
(45) **Date of Patent:** **** Oct. 22, 2013**

(54) **ROTOR FOR A VENTILATOR WITH TWELVE BLADES**

(71) Applicant: **Novenco A/S**, Naestved (DK)

(72) Inventor: **Martin Rasmussen**, Naestved (DK)

(73) Assignee: **Novenco A/S** (DK)

(**) Term: **14 Years**

(21) Appl. No.: **29/439,734**

(22) Filed: **Dec. 14, 2012**

Related U.S. Application Data

(62) Division of application No. 29/426,860, filed on Jul. 11, 2012, now Pat. No. Des. 683,840, which is a division of application No. 29/359,477, filed on Apr. 12, 2010, now Pat. No. Des. 665,895.

(30) **Foreign Application Priority Data**

Oct. 13, 2009 (EP) 001622945

(51) **LOC (9) Cl.** **23-04**

(52) **U.S. Cl.**
USPC **D23/379**

(58) **Field of Classification Search**
USPC D23/377, 379, 385, 411, 413; 23/379, 23/385; 416/5

See application file for complete search history.

(56) **References Cited**

U.S. PATENT DOCUMENTS

5,320,493 A 6/1994 Shih et al.
5,624,234 A 4/1997 Neely et al.
D486,905 S * 2/2004 Wang D23/379
D507,343 S 7/2005 Chiu et al.

D507,641 S * 7/2005 Chiu et al. D23/379
D509,584 S * 9/2005 Li et al. D23/413
D510,998 S 10/2005 Parker et al.
D555,782 S 11/2007 Parker et al.
D556,892 S 12/2007 Chen
D558,324 S 12/2007 Hong
D559,968 S 1/2008 Lee et al.
D561,888 S * 2/2008 Yang et al. D23/379
D566,829 S 4/2008 Parker et al.
D570,471 S * 6/2008 Iwase et al. D23/413
D571,000 S * 6/2008 Bei et al. D23/413
D576,265 S * 9/2008 Bucher et al. D23/377
D590,489 S * 4/2009 Bucher et al. D23/377
D599,461 S * 9/2009 Ertze D23/377
7,850,513 B1 * 12/2010 Parker et al. 454/228
D632,383 S * 2/2011 Kandell et al. D23/411
D633,195 S * 2/2011 Stagg D23/413
D634,833 S * 3/2011 Stagg D23/370
D645,134 S 9/2011 Lee et al.

* cited by examiner

Primary Examiner — Randall Gholson

(74) *Attorney, Agent, or Firm* — Fish & Richardson P.C.

(57) **CLAIM**

The ornamental design for rotor for a ventilator with twelve blades, substantially as shown and described.

DESCRIPTION

FIG. 1 is a front view of a rotor for a ventilator with twelve blades according to the present design;

FIG. 2 is a right side view thereof;

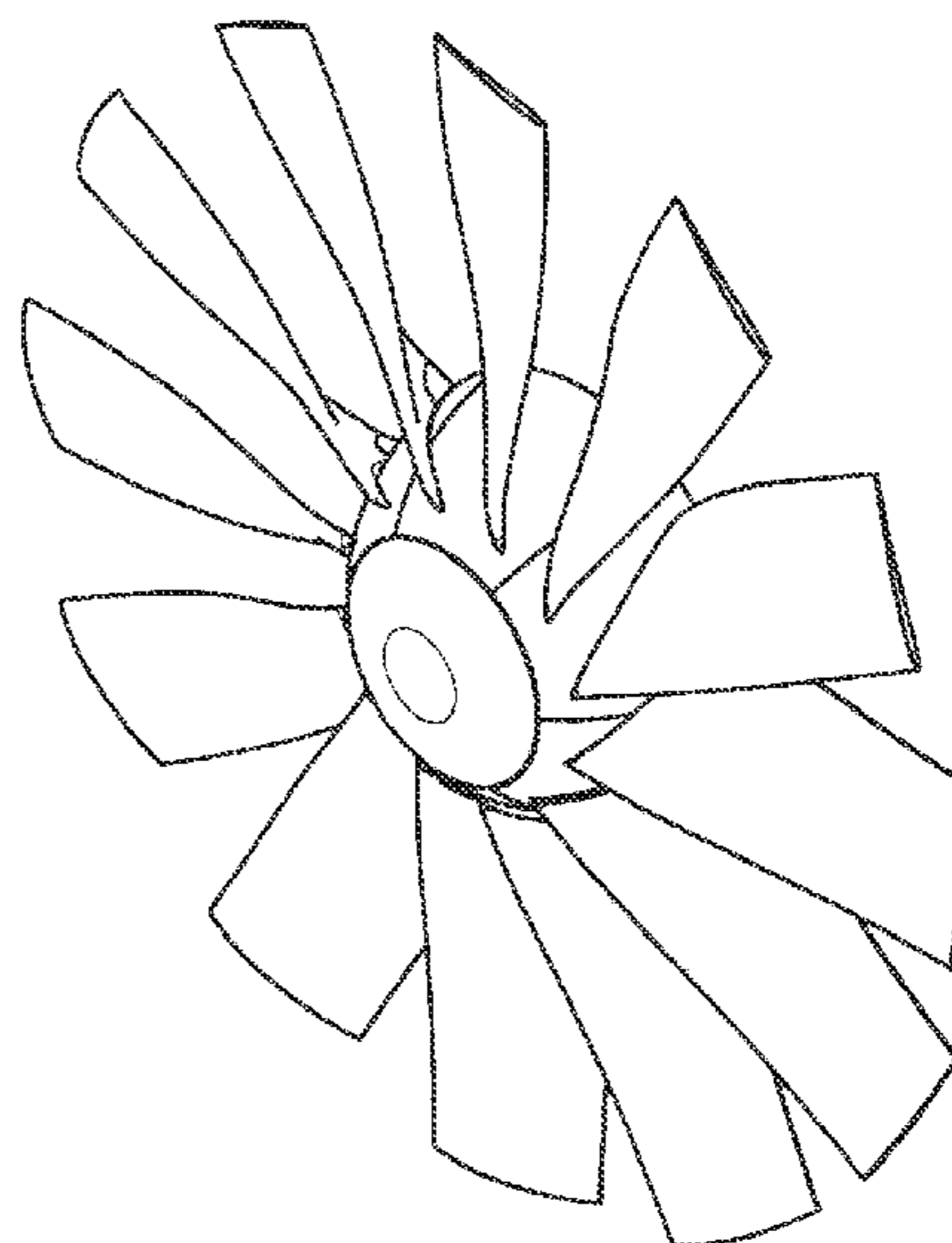
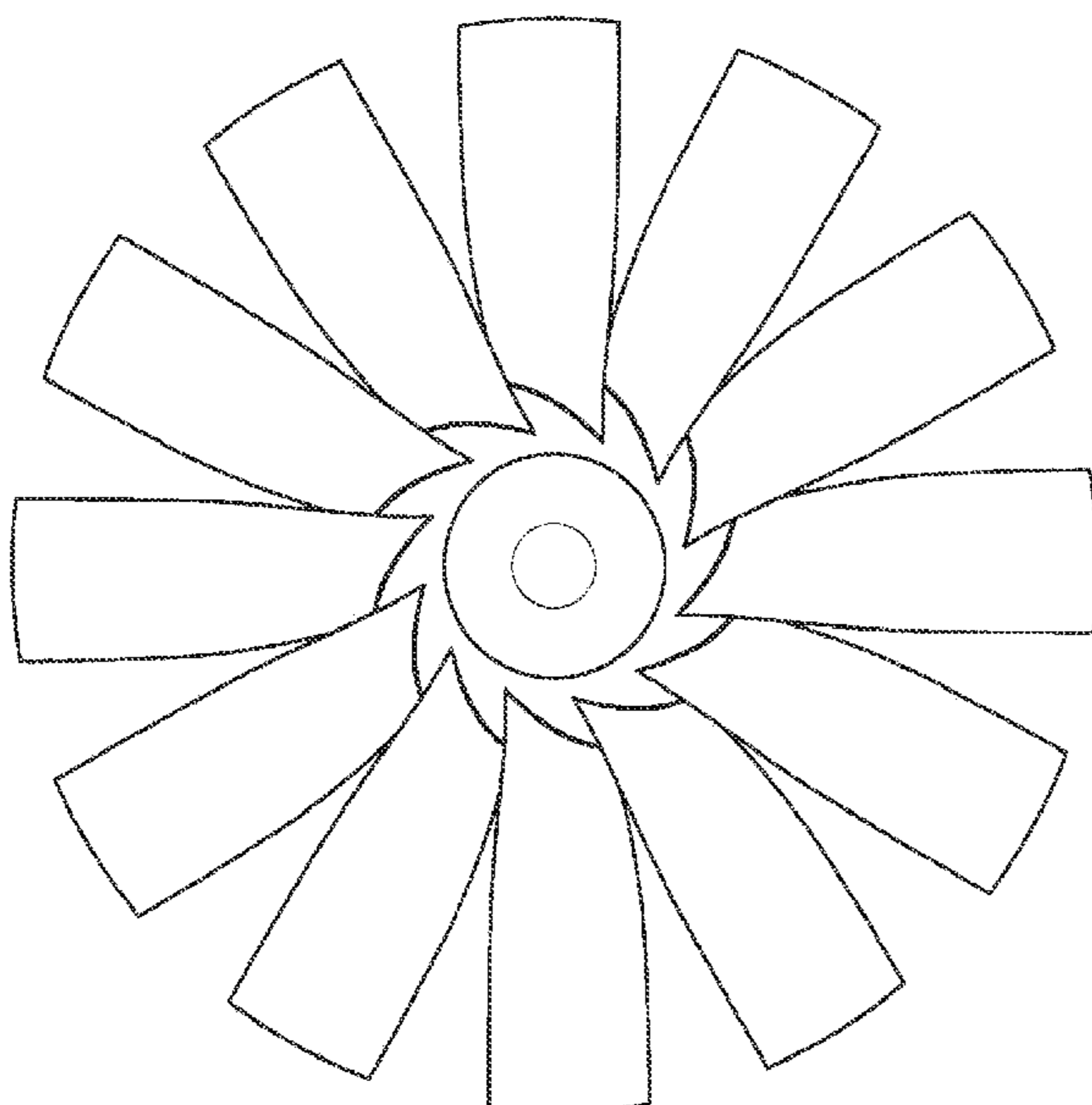
The left side view thereof is the same as the right side view except rotated 180 degrees.

FIG. 3 is a rear view thereof; and,

FIG. 4 is a front perspective view thereof.

The broken lines shown on the bottom of the design are included for the purpose of illustrating unclaimed features of the design and form no part of the claimed design.

1 Claim, 4 Drawing Sheets



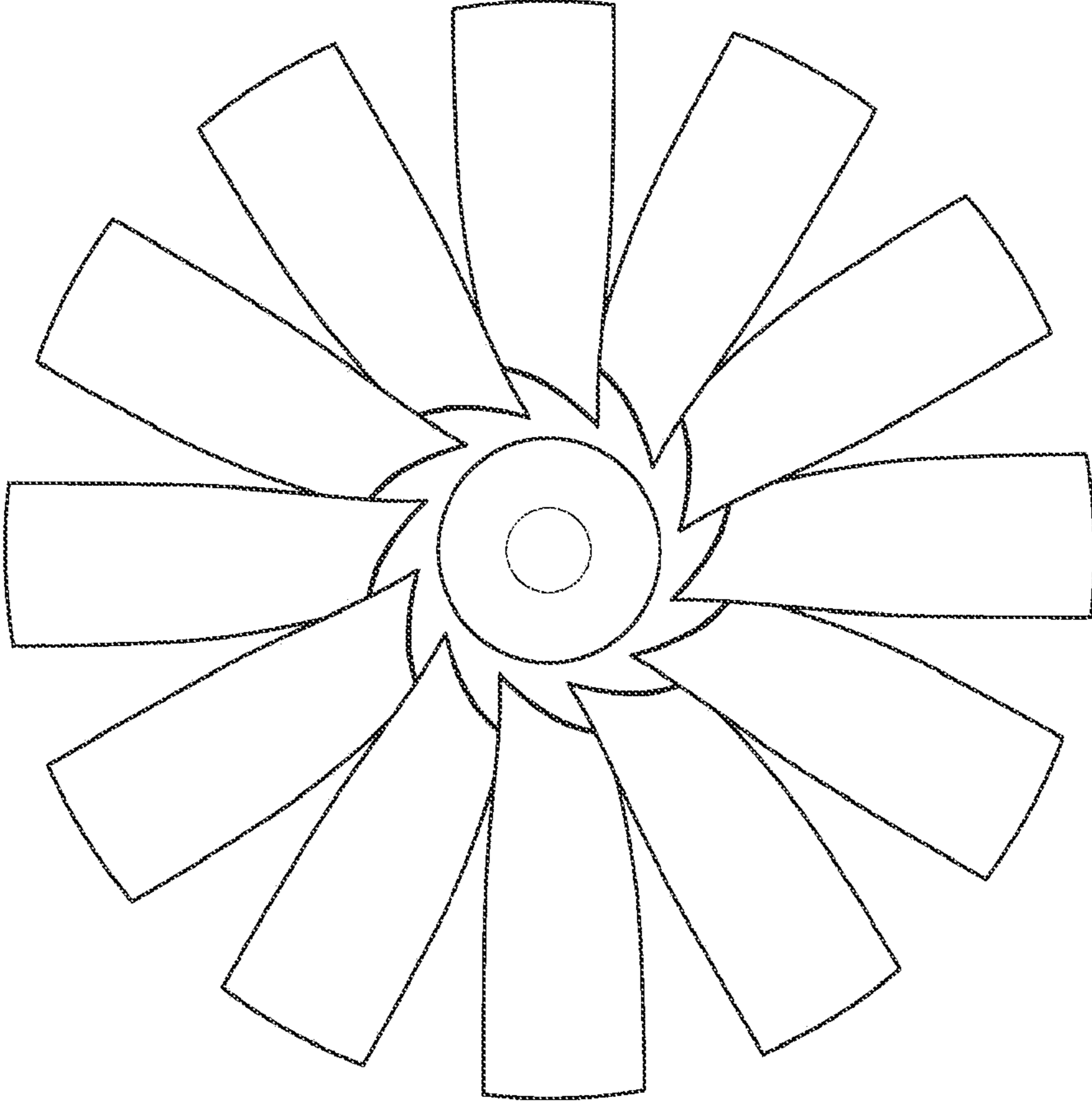


FIG. 1

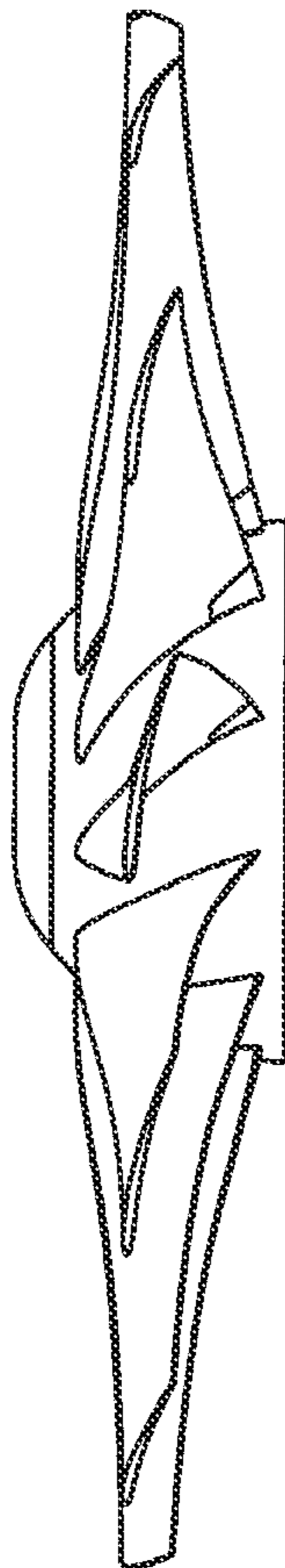


FIG. 2

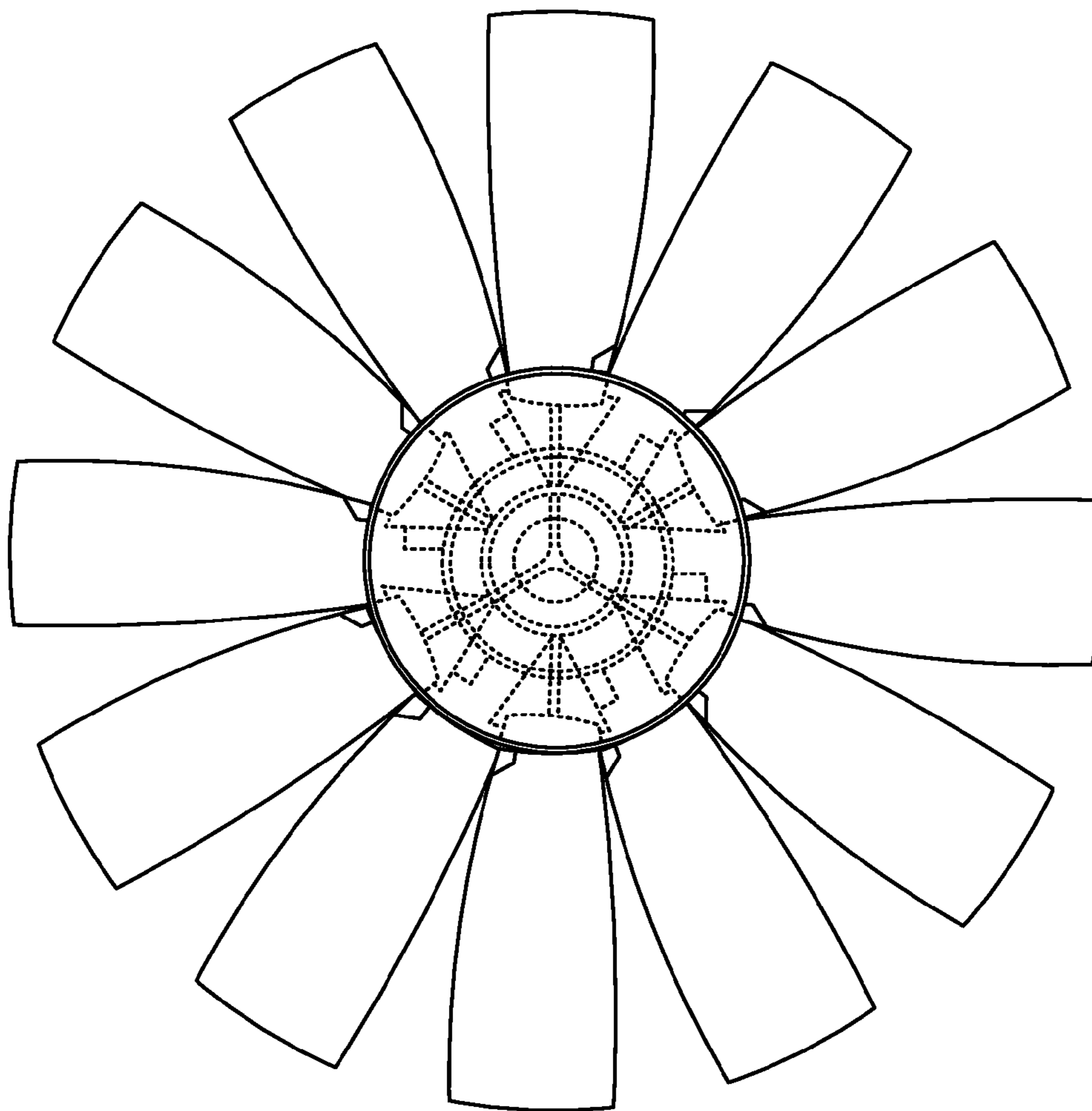


FIG. 3

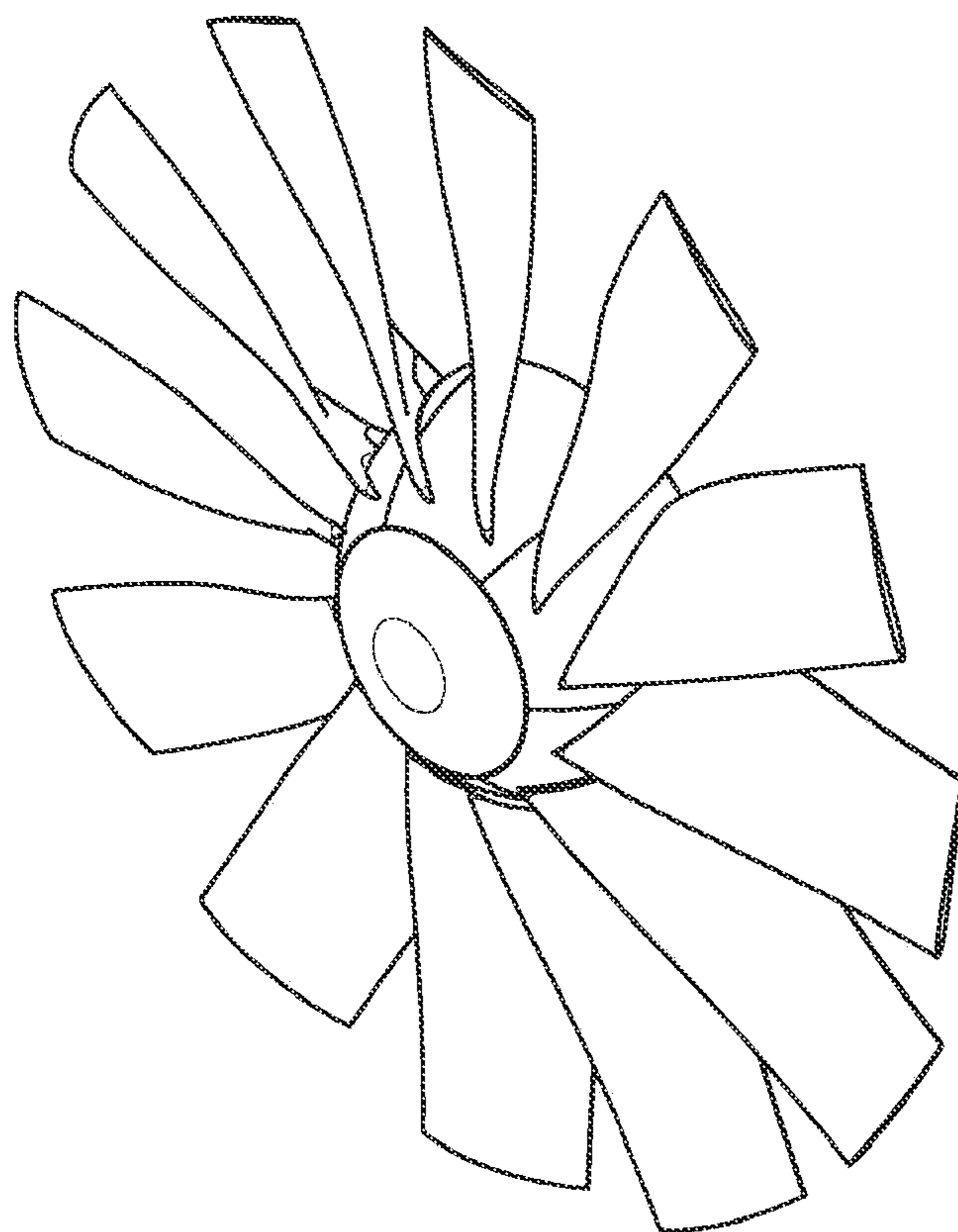


FIG. 4