

US00D692118S

(12) **United States Design Patent**  
**Wu**

(10) **Patent No.:** **US D692,118 S**  
(45) **Date of Patent:** **\*\* Oct. 22, 2013**

- (54) **AIR FRESHENER**
- (71) Applicant: **Aromate Industries Co., Ltd.**, New Taipei (TW)
- (72) Inventor: **Henry Wu**, New Taipei (TW)
- (73) Assignee: **Aromate Industries Co., Ltd.**, New Taipei (TW)
- (\*\*) Term: **14 Years**
- (21) Appl. No.: **29/451,328**
- (22) Filed: **Apr. 1, 2013**
- (51) **LOC (9) Cl.** ..... **28-99**
- (52) **U.S. Cl.**  
USPC ..... **D23/366**
- (58) **Field of Classification Search**  
USPC ..... D23/355-369; D28/5, 6; 261/DIG. 17, 261/DIG. 42, DIG. 47, DIG. 55, DIG. 65, 261/DIG. 70, DIG. 88, DIG. 89; 392/356, 392/390, 392, 394, 395; 239/34, 44, 53, 55, 239/56, 60, 308, 326  
See application file for complete search history.

D373,822 S *	9/1996	Leonard et al.	.....	D23/366
5,603,455 A *	2/1997	Lin	.....	239/44
D385,025 S *	10/1997	Ho	.....	D23/367
5,735,640 A *	4/1998	Meyer et al.	.....	405/302.7
D532,893 S *	11/2006	Wu	.....	D23/366
D626,138 S *	10/2010	McLaughlin et al.	.....	D14/486
D628,284 S *	11/2010	Ko et al.	.....	D23/366
D629,881 S *	12/2010	Valentino et al.	.....	D23/368
D631,146 S *	1/2011	Shu et al.	.....	D23/366
D631,954 S *	2/2011	Bertassi et al.	.....	D23/366
2005/0127538 A1 *	6/2005	Fabrega et al.	.....	261/104

\* cited by examiner

*Primary Examiner* — Sandra Snapp  
(74) *Attorney, Agent, or Firm* — Li & Cai Intellectual Property (USA) Office

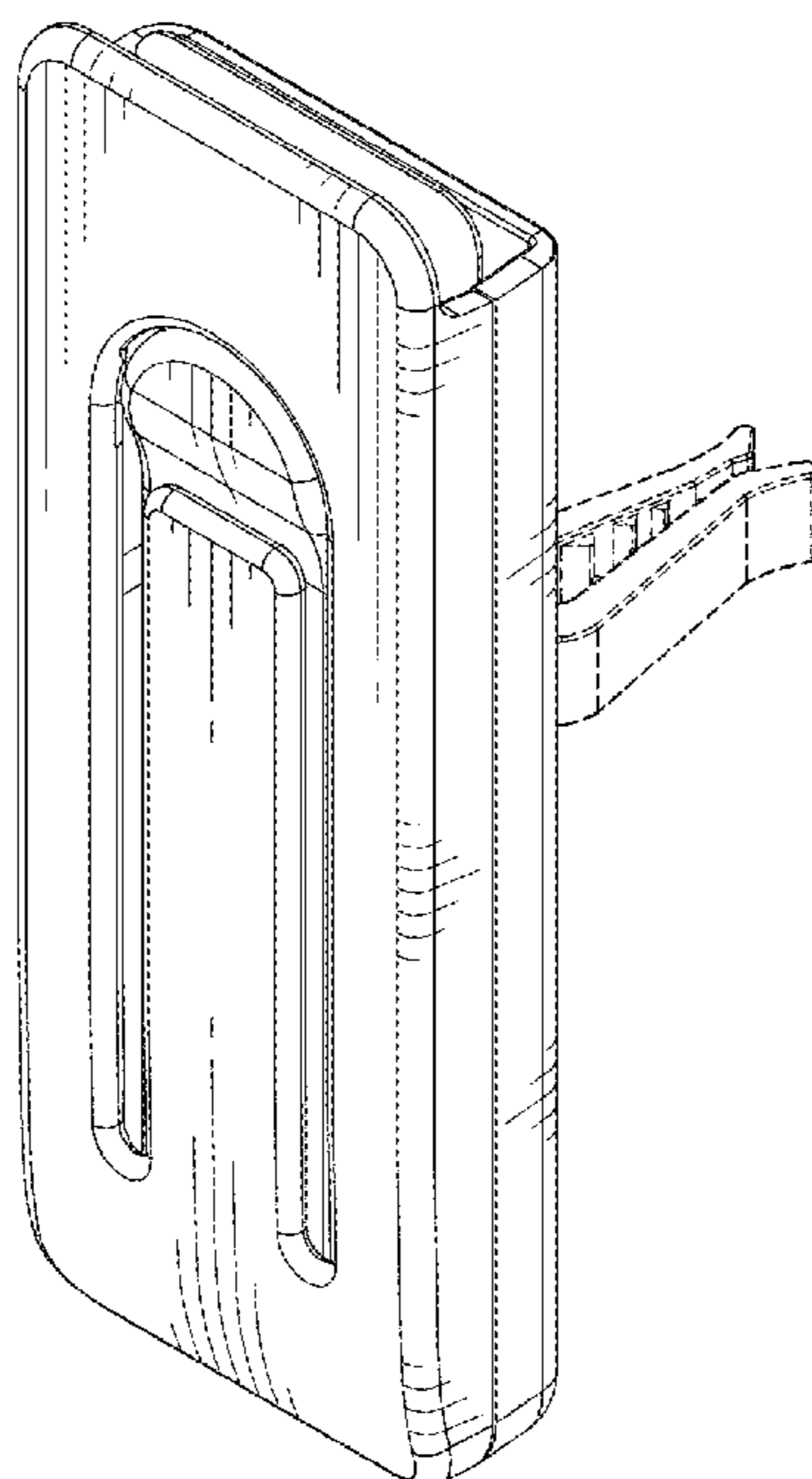
(57) **CLAIM**  
The ornamental design for an “air freshener,” as shown and described.

**DESCRIPTION**

FIG. 1 is a perspective view of an air freshener showing my new design;  
FIG. 2 is a front view thereof;  
FIG. 3 is a rear view thereof;  
FIG. 4 is a left side view thereof;  
FIG. 5 is a right side view thereof;  
FIG. 6 is a top view thereof;  
FIG. 7 is a bottom view thereof; and,  
FIG. 8 is a perspective view showing the practical usage thereof.  
The broken lines depict portions of the air freshener which form no part of the claimed design.

**1 Claim, 7 Drawing Sheets**

- (56) **References Cited**  
U.S. PATENT DOCUMENTS
- |               |         |                  |       |         |
|---------------|---------|------------------|-------|---------|
| 4,583,686 A * | 4/1986  | Martens et al.   | ..... | 239/35  |
| 4,849,606 A * | 7/1989  | Martens et al.   | ..... | 392/390 |
| 5,136,684 A * | 8/1992  | Lonker et al.    | ..... | 392/392 |
| D345,787 S *  | 4/1994  | Martin           | ..... | D23/366 |
| 5,478,505 A * | 12/1995 | McElfresh et al. | ..... | 261/30  |
| 5,527,493 A * | 6/1996  | McElfresh et al. | ..... | 261/30  |



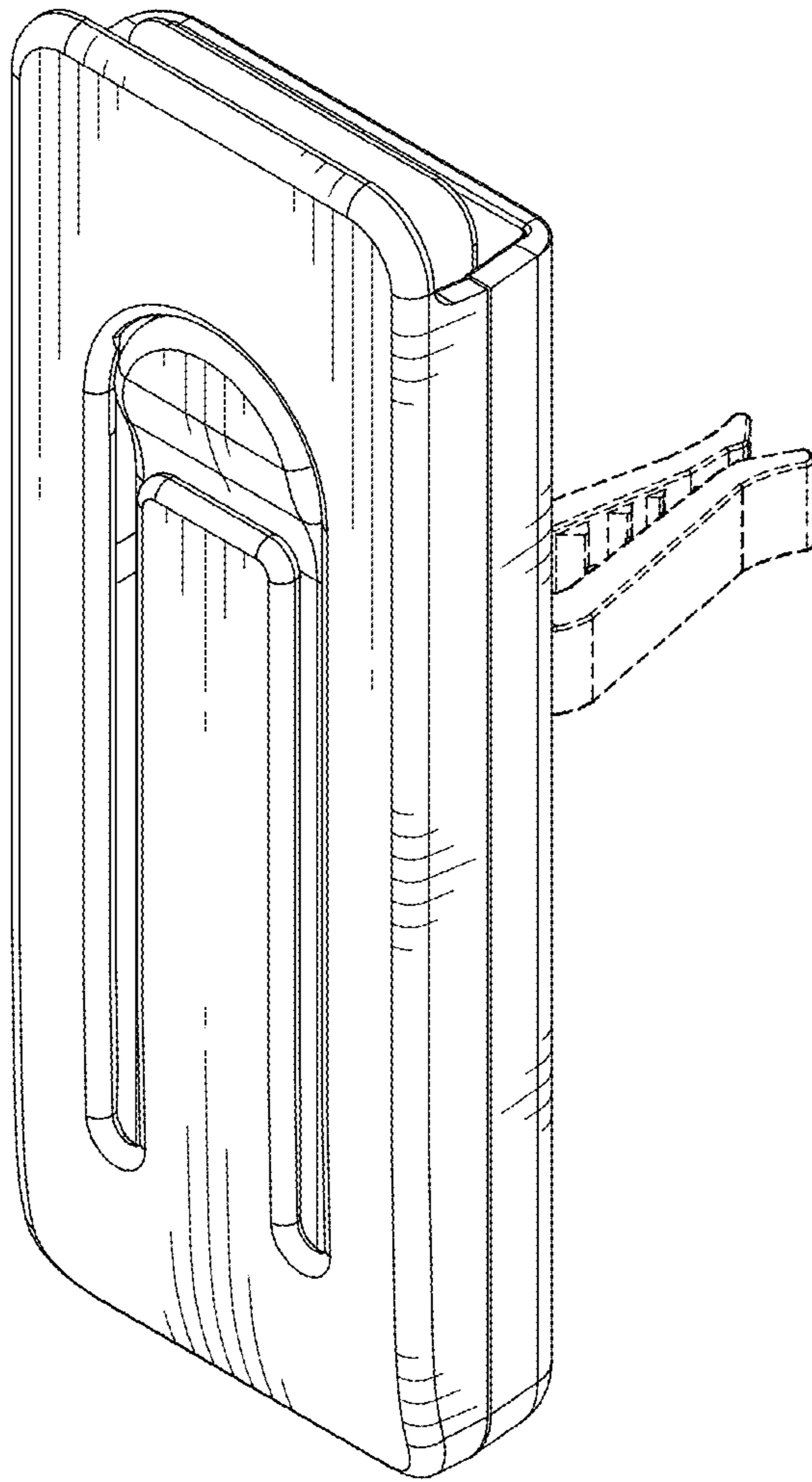


FIG.1

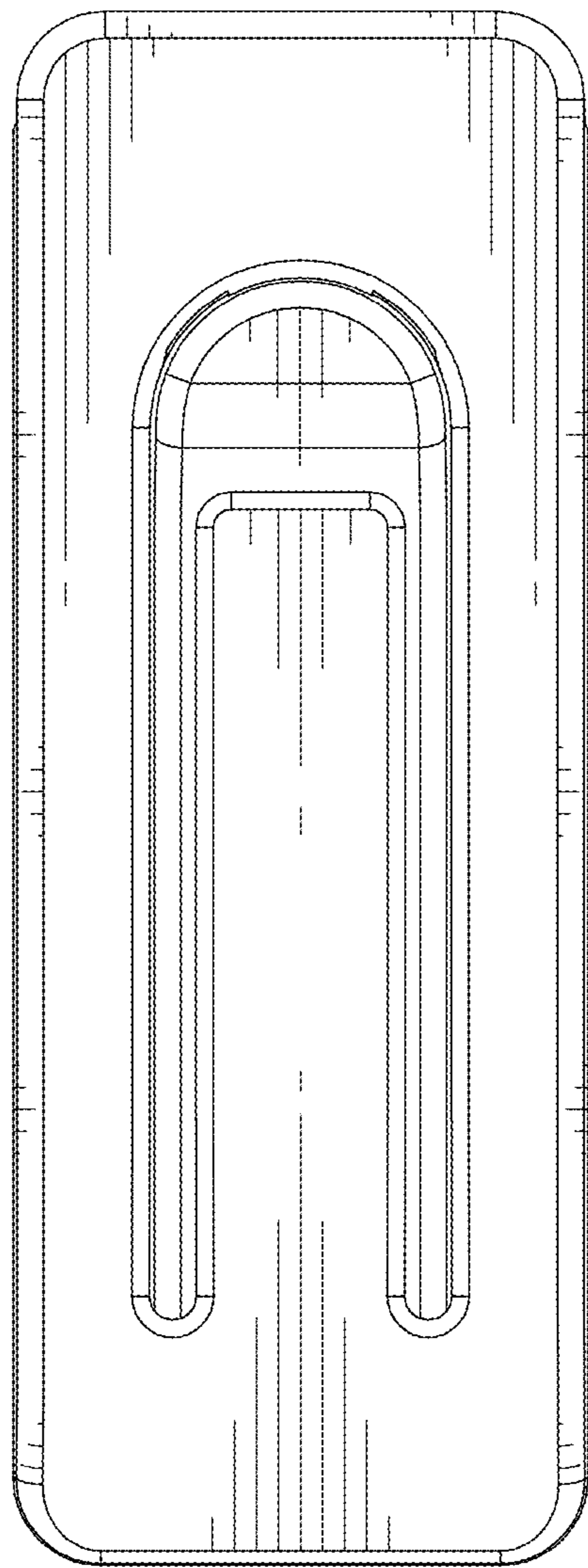


FIG.2

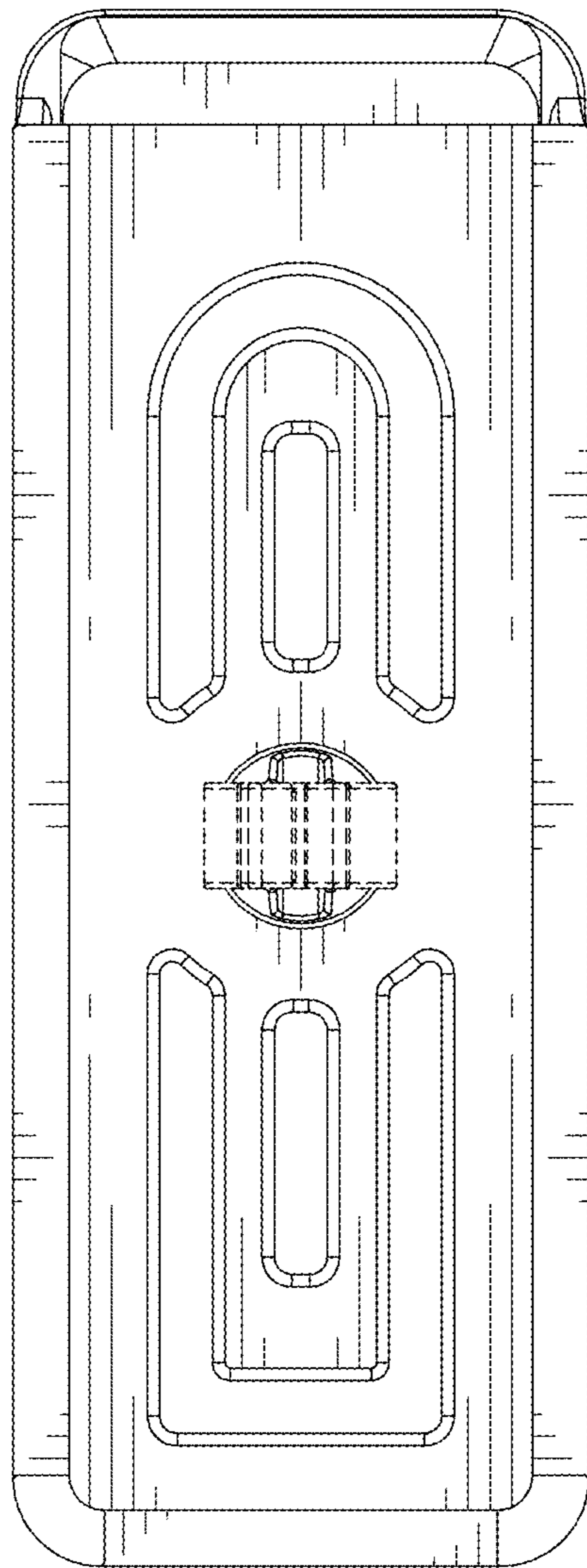


FIG.3

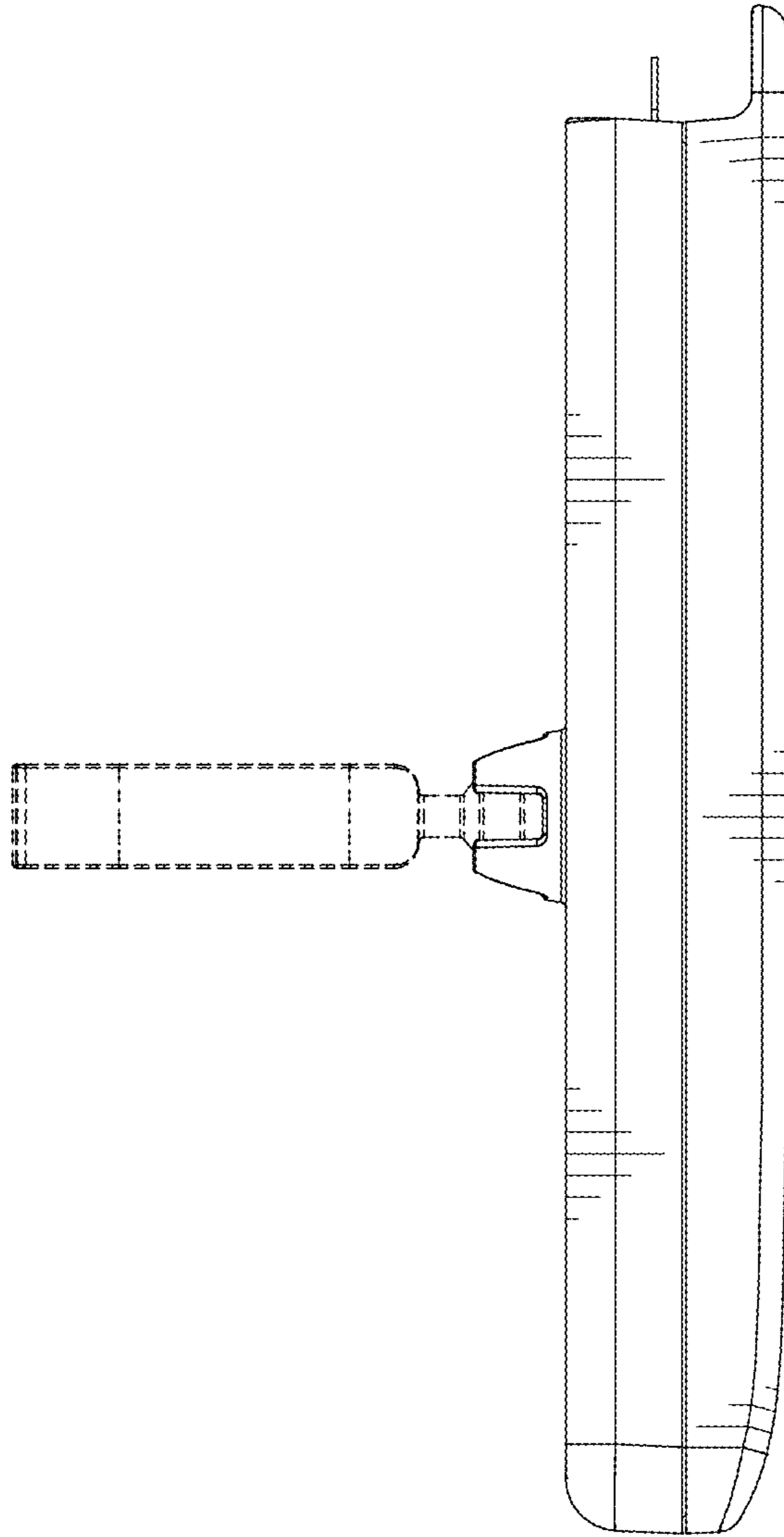


FIG.4

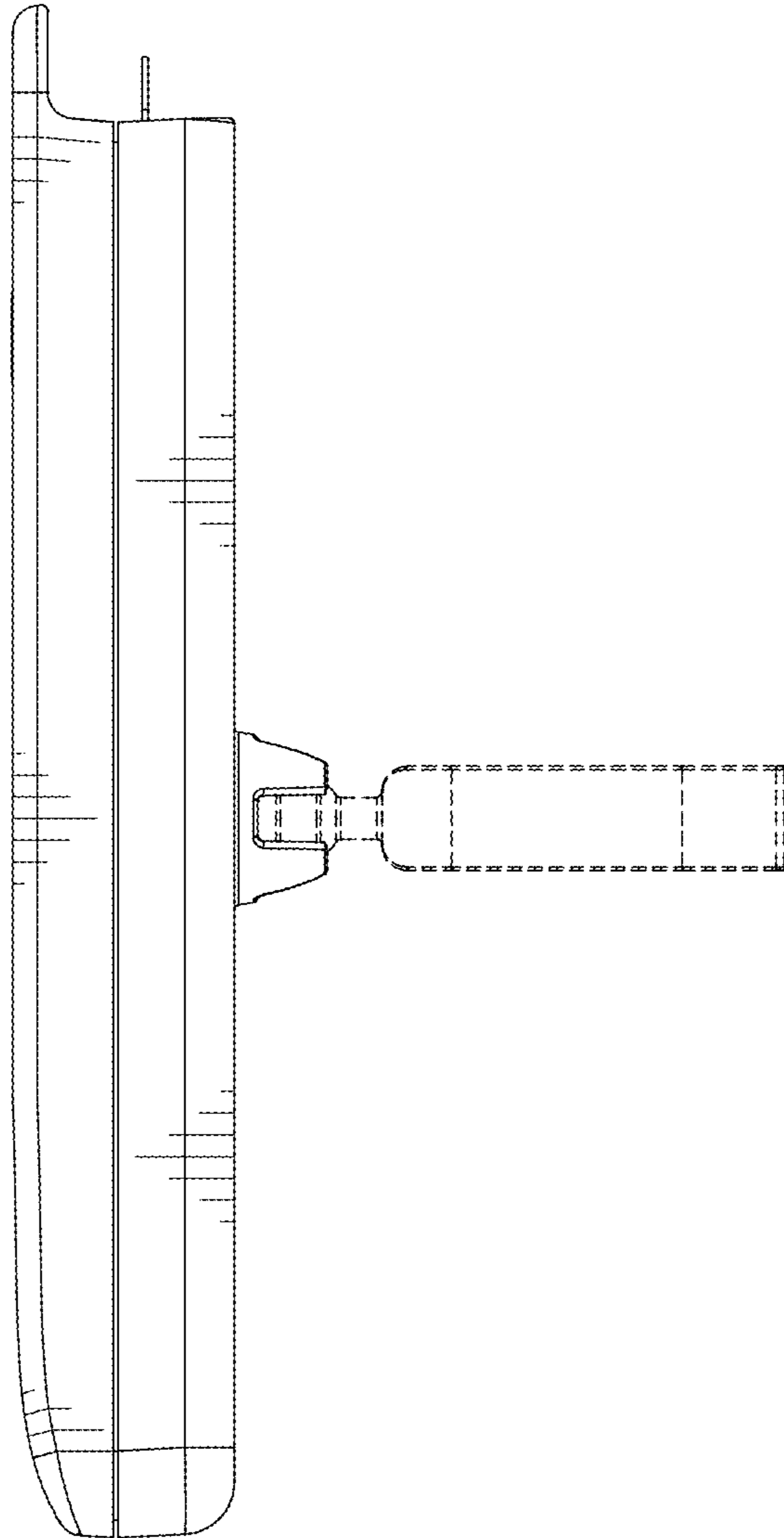


FIG.5

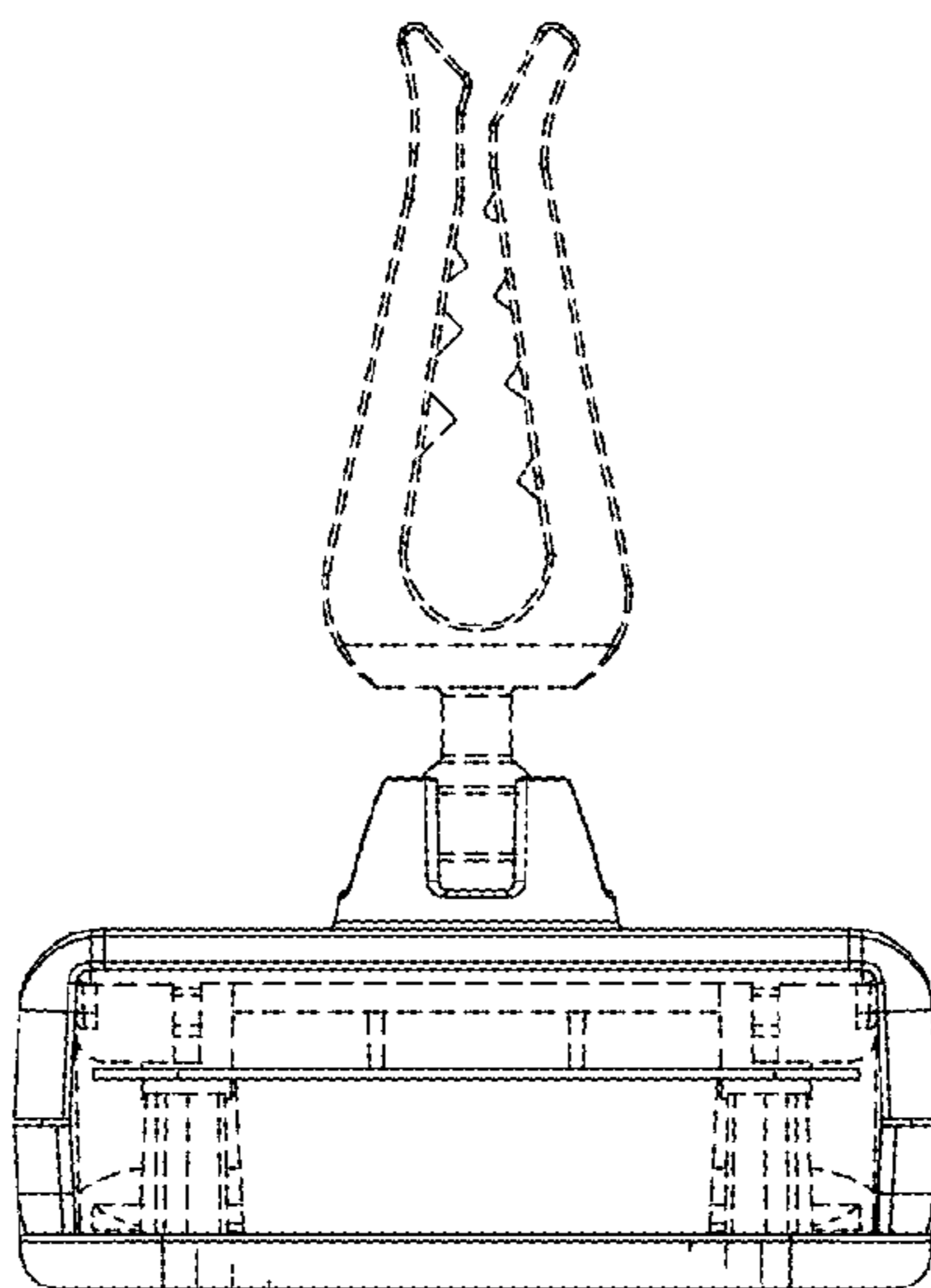


FIG.6

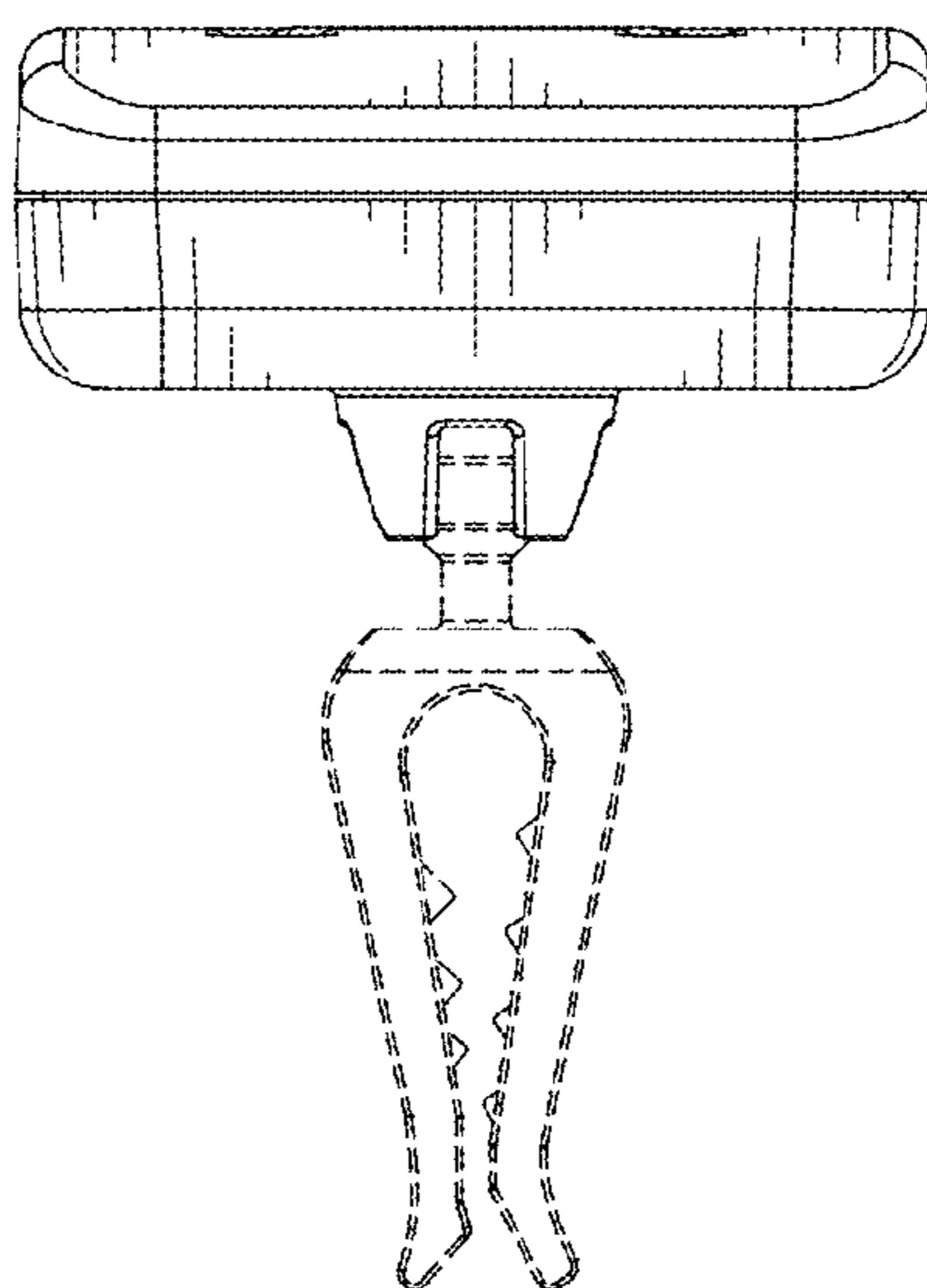


FIG.7



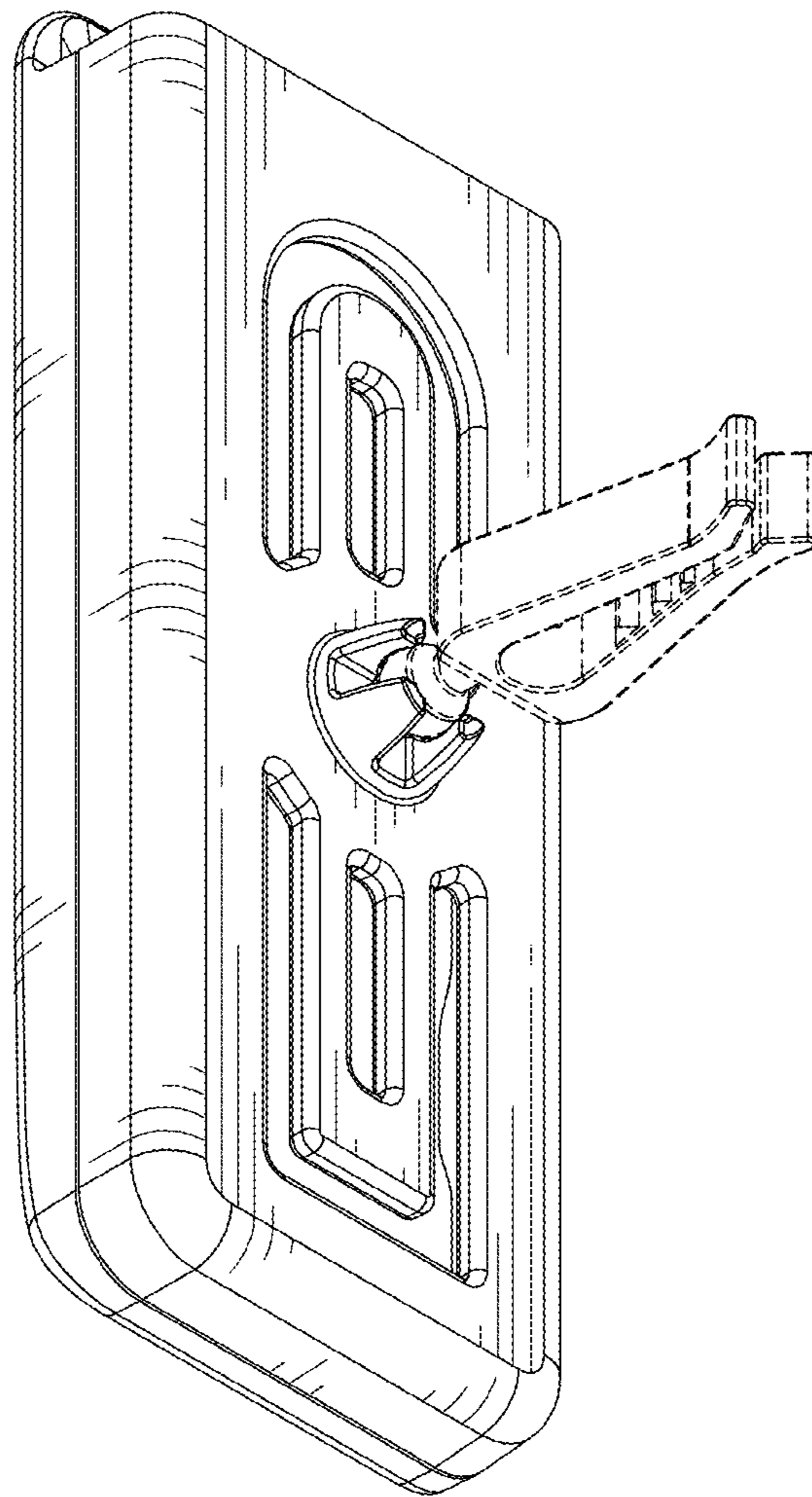


FIG.8