



US00D692116S

(12) **United States Design Patent**
Gordon

(10) **Patent No.:** **US D692,116 S**

(45) **Date of Patent:** **** Oct. 22, 2013**

(54) **DISPENSING DEVICE**

(75) Inventor: **William F. Gordon**, Chicago, IL (US)

(73) Assignee: **S. C. Johnson & Son, Inc.**, Racine, WI (US)

(**) Term: **14 Years**

(21) Appl. No.: **29/414,982**

(22) Filed: **Mar. 6, 2012**

(51) **LOC (9) Cl.** **28-99**

(52) **U.S. Cl.**

USPC **D23/366**

(58) **Field of Classification Search**

USPC D23/355-369; D28/5, 6; 261/DIG. 17, 261/DIG. 42, DIG. 65, DIG. 88, DIG. 89; 392/386, 390, 394, 395; 239/34, 44, 239/53, 55, 56, 326; D26/14, 17, 98

See application file for complete search history.

(56) **References Cited**

U.S. PATENT DOCUMENTS

D172,850 S 8/1954 Van Koert
D172,852 S 8/1954 Van Koert
D196,455 S 10/1963 Stern

(Continued)

FOREIGN PATENT DOCUMENTS

AU 127544 8/1996
AU 140650 5/2000

(Continued)

OTHER PUBLICATIONS

Martin Freeman, Vase, White earthenware with high-fire glaze inside (1949) The Museum of Modern Art <http://www.moma.org/collection/object.php?object_id=3881>, accessed Jun. 21, 2010.

(Continued)

Primary Examiner — Sandra Snapp

(74) *Attorney, Agent, or Firm* — Quarles & Brady LLP

(57) **CLAIM**

The ornamental design for a dispensing device, as shown and described.

DESCRIPTION

FIG. 1 is an isometric view of a front, top, and left side of an ornamental design for a first embodiment of a dispensing device;

FIG. 2 is a front elevational view of the dispensing device;

FIG. 3 is a rear elevational view of the dispensing device;

FIG. 4 is a left side elevational view of the dispensing device, wherein the right side elevational view is a mirror image of the left side elevational view;

FIG. 5 is a top plan view of the dispensing device;

FIG. 6 is a bottom plan view of the dispensing device;

FIG. 7 is an isometric view of a front, top, and left side of an ornamental design for a second embodiment of a dispensing device;

FIG. 8 is a front elevational view of the dispensing device;

FIG. 9 is a rear elevational view of the dispensing device;

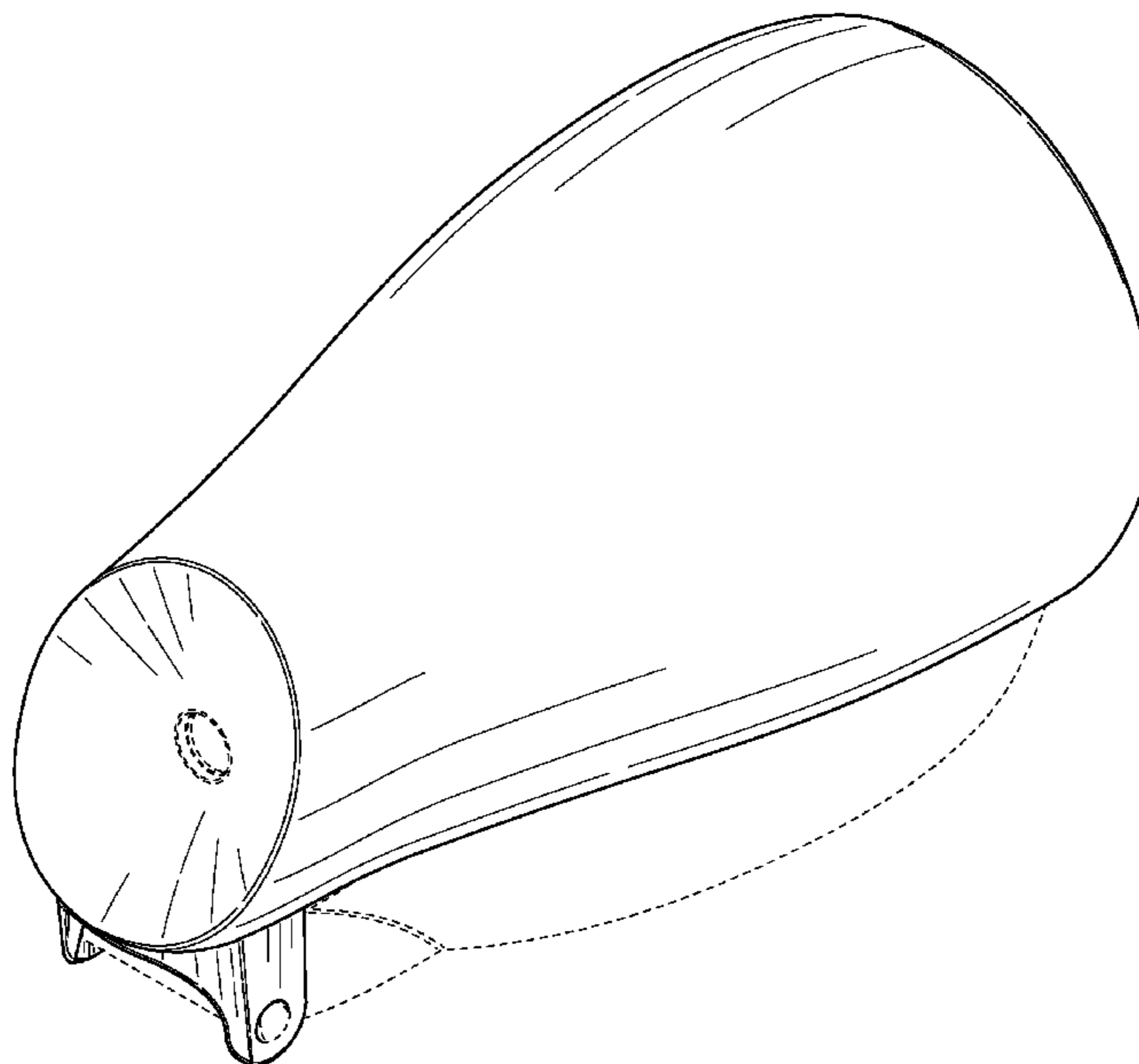
FIG. 10 is a left side elevational view of the dispensing device, wherein the right side elevational view is a mirror image of the left side elevational view;

FIG. 11 is a top plan view of the dispensing device; and,

FIG. 12 is a bottom plan view of the dispensing device.

The broken lines are for the purpose of illustrating environmental structure and form no part of the claimed design.

1 Claim, 8 Drawing Sheets



(56)

References Cited

U.S. PATENT DOCUMENTS

D204,707 S 5/1966 Abbott
 D214,829 S 8/1969 Muscatiello
 D310,480 S 9/1990 Geiger
 D323,292 S 1/1992 Jones
 D345,848 S 4/1994 May et al.
 D357,085 S 4/1995 Ratia
 D362,646 S 9/1995 Rahr
 D362,647 S 9/1995 Rahr
 D363,225 S 10/1995 Kudo
 D364,990 S 12/1995 Fonville
 D392,032 S 3/1998 Zaragoza
 D393,202 S 4/1998 Bertolini et al.
 D397,037 S 8/1998 Negre
 D400,800 S 11/1998 Bertolini et al.
 D410,096 S 5/1999 Majerowski
 D424,471 S 5/2000 Souris
 D425,220 S 5/2000 Klett et al.
 D433,773 S 11/2000 Gavin
 D434,667 S 12/2000 Gobe
 D441,640 S 5/2001 Reinoso
 D450,395 S 11/2001 Bellenger
 D457,062 S 5/2002 Lloyd
 D468,423 S 1/2003 Renfrew
 D470,971 S 2/2003 Vegliante
 D472,148 S 3/2003 Dowd
 D475,282 S 6/2003 Snaith et al.
 D477,535 S 7/2003 Thorpe
 D478,003 S * 8/2003 Bodker et al. D9/417
 D484,418 S 12/2003 Diete
 D486,065 S 2/2004 Hutchinson et al.
 D496,279 S 9/2004 Hama et al.
 D496,451 S 9/2004 Julos et al.
 D498,970 S 11/2004 Huang
 D509,894 S 9/2005 Hoyt et al.
 D510,030 S 9/2005 Storz et al.
 D512,938 S 12/2005 Morris et al.
 D513,479 S 1/2006 Behrens
 D515,927 S 2/2006 Smay et al.
 D519,376 S 4/2006 Ames
 D525,131 S 7/2006 Davies et al.
 D525,531 S 7/2006 Bansal
 D535,004 S * 1/2007 Furner et al. D23/366
 D538,668 S 3/2007 Campbell et al.
 D538,915 S 3/2007 Anderson et al.
 D539,892 S 4/2007 Caserta et al.
 D539,972 S 4/2007 Layne
 D539,973 S 4/2007 Layne
 D542,707 S 5/2007 Kolokotronis et al.
 D546,122 S 7/2007 Gluck
 D548,317 S 8/2007 Newton et al.
 D559,434 S 1/2008 Morris et al.
 D560,017 S 1/2008 Morris et al.
 D560,018 S 1/2008 Morris et al.
 D561,318 S 2/2008 Naksen et al.
 D561,884 S * 2/2008 Furner et al. D23/366
 D561,886 S 2/2008 Furner et al.
 RE40,392 E 6/2008 Rymer et al.
 D572,860 S 7/2008 Demarest et al.
 D574,199 S 8/2008 Griffith et al.
 D575,103 S 8/2008 Gluck
 D576,039 S 9/2008 Bradley et al.
 D581,279 S 11/2008 Oates
 D582,063 S 12/2008 Spangler et al.
 D582,537 S 12/2008 Kay et al.
 D582,580 S 12/2008 Spangler et al.
 D583,038 S 12/2008 Kay et al.
 D583,039 S 12/2008 Kay et al.
 D583,453 S 12/2008 Kay et al.
 D583,454 S 12/2008 Kay et al.
 D583,455 S 12/2008 Kay et al.
 D583,457 S 12/2008 Kay et al.
 D586,606 S 2/2009 Ma et al.
 D587,127 S 2/2009 Moreira et al.
 D588,687 S 3/2009 Drucker et al.
 D595,829 S 7/2009 Drucker et al.

D597,192 S 7/2009 Drucker et al.
 D604,622 S 11/2009 Bohache et al.
 D607,553 S 1/2010 Roller
 D609,096 S 2/2010 Floyd
 D610,910 S 3/2010 Simmons et al.
 D611,348 S 3/2010 Handy et al.
 D613,844 S 4/2010 Jørgensen
 D614,277 S 4/2010 Hsiao
 D629,880 S 12/2010 Hisey et al.
 D632,771 S 2/2011 Abbondanzio et al.
 D632,772 S 2/2011 Abbondanzio et al.
 D637,274 S 5/2011 Chan et al.
 D646,768 S 10/2011 Chan et al.
 D647,187 S 10/2011 Chan et al.
 8,079,498 B2 * 12/2011 Anderson et al. 222/183
 D654,761 S 2/2012 Herbst et al.
 D659,818 S * 5/2012 Belongia et al. D23/366
 D661,790 S * 6/2012 Majerowski D23/366
 2008/0156896 A1 * 7/2008 Anderson et al. 239/34

FOREIGN PATENT DOCUMENTS

AU 307763 7/2006
 AU 307764 7/2006
 AU 311318 11/2006
 AU 329382 1/2010
 AU 329383 1/2010
 AU 330784 5/2010
 AU 330785 5/2010
 AU 330786 5/2010
 AU 330787 5/2010
 AU 330788 5/2010
 AU 330809 5/2010
 AU 342910 5/2010
 AU 304152 7/2010
 CA 124156 1/2008
 CN 200930290969.7 1/2010
 CN 201030100217.2 6/2010
 CN 201130414364.1 6/2010
 CN 201130496329.9 6/2010
 CN 200930082557.4 7/2010
 CN 200930273309.8 7/2010
 CN 200930383924.4 7/2010
 CN 200930342489.0 8/2010
 CN 201030148641.4 8/2010
 CN 200930086662.5 9/2010
 CN 201030103862.X 9/2010
 CN 201030109104.9 9/2010
 CN 201030138857.2 10/2010
 CN 201030143618.6 10/2010
 CN 200930382824.X 11/2010
 CN 200930680610.0 11/2010
 CN 201030138853.4 11/2010
 CN 201030171816.3 11/2010
 CN 201030184791.0 11/2010
 CN 201030226501.4 11/2010
 CN 201030161835.8 12/2010
 CN 201030171836.0 12/2010
 CN 201030181917.9 12/2010
 CN 201030214528.1 12/2010
 CN 201030237622.9 12/2010
 CN 201030267482.X 1/2011
 CN 201030289358.3 1/2011
 CN 201030516390.0 4/2011
 CN 201030560294.6 4/2011
 CN 201030560327.7 4/2011
 CN 201030633995.8 5/2011
 CN 201030680263.4 5/2011
 CN 201030200021.0 6/2011
 CN 201030702441.9 6/2011
 CN 201130002156.0 6/2011
 CN 201130494692.7 7/2011
 CN 201130071774.0 8/2011
 CN 201030690438 10/2011
 CN 201130218453.9 11/2011
 CN 201130257952.9 1/2012
 CN 201130269639.7 2/2012
 CN 201130269784.5 2/2012
 CN 201130416451.0 2/2012

(56)

References Cited

FOREIGN PATENT DOCUMENTS

CN	201130270189.3	3/2012
CN	201130331821.0	3/2012
CN	201130340079	3/2012
CN	201130340336.X	3/2012
CN	201130359306.3	3/2012
CN	201130376816.1	5/2012
CN	201130384353.3	5/2012
CN	201130407139.5	5/2012
CN	201130494499.3	5/2012
CN	201130414365.6	6/2012
CN	201130435595.0	6/2012
CN	201130400425.9	7/2012
CN	201130420669.3	7/2012
CN	201130475470.0	7/2012
CN	201230001436.4	7/2012
CN	201030148645.2	12/2012
DE	D026998-001	8/1993
DE	D046794-002	1/1999
DE	000122254-0001	4/2004
DE	40504367-0016	3/2006
DE	00417779-0001	3/2007
DE	000417779-0002	3/2007
DE	000592902-0004	1/2008
EM	000573357-0003	8/2006
EM	000603030-0001	12/2006
EM	002015495-0002	3/2007
EM	000792627-0003	9/2007
EM	000792627-0004	9/2007
EM	000792627-0005	9/2007
EM	000792635-0006	9/2007
EM	000814355-0001	10/2007
EM	000814355-0002	10/2007
EM	000814355-0003	10/2007
EM	000792627-0006	2/2008
EM	000904800-0002	3/2008
EM	000904800-0003	3/2008
EM	000910534-0001	3/2008
EM	000898937-0004	9/2008
EM	001171656-0003	10/2009
EM	001171656-0004	10/2009
EM	001651746-0001	12/2009
EM	001189740-0001	3/2010
EM	001189740-0003	3/2010
EM	001742420-0001	8/2010
EM	001957986-0001	5/2011
EM	001209217-0004	2/2012
EM	002051417-0001	6/2012
EP	2111875	10/2009
FR	052778-001	8/2005
GB	2025348	12/1992
GB	2054115	5/1996
GB	2085750	10/1999
GB	3001508	3/2002
GB	3012588	5/2003
GB	3013597	7/2003
JP	D1030505	1/1999
JP	D1076857	7/2000
JP	D1084122	9/2000
JP	D102519	3/2001
JP	D1103647	3/2001
JP	D1108509	5/2001
JP	D111977	6/2001
JP	D1131029	1/2002
JP	D1231223	2/2005
JP	D1237631	4/2005
JP	D276267	7/2006

JP	D1276969	7/2006
JP	D1336425	7/2008
JP	D1336427	7/2008
JP	D1338147	8/2008
JP	D1338148	8/2008
JP	D1338150	8/2008
JP	D1342675	10/2008
JP	D1342858	10/2008
JP	D1352499	3/2009
JP	D1353747	3/2009
JP	D1357458	4/2009
JP	D1361822	6/2009
JP	D1377434	1/2010
JP	D1379002	2/2010
JP	D1341590	8/2010
JP	D1395044	8/2010
JP	D1404693	1/2011
JP	D1404694	1/2011
JP	D1410911	4/2011
JP	D1395045	8/2011
JP	D1443689	6/2012
KR	3020040015550	4/2005
MR	40009443	4/2001
WO	DM046795	1/1999
WO	DM066604-15.1	3/2005
WO	DM066604-15.2	3/2005
WO	2007045834	4/2007
WO	2007045835	4/2007
WO	2008009872	1/2008
WO	2008119953	10/2008
WO	2008149064	12/2008
WO	2009060212	5/2009
WO	2009062553	5/2009
WO	2009151213	12/2009
WO	DM073467	2/2010
WO	2011304944870.0	6/2012

OTHER PUBLICATIONS

Dartington Crystal (Torrington) Ltd, Dartington Curve Oval Vase, Item model No. VA2200 (Date first available at Amazon.co.uk: Dec. 1, 2007) http://www.amazon.co.uk/Dartington-Crystal-VA2200-Curve-Oval/dp/B004EIM88/ref=sr_1_42?ie=UTF8&s=kitchen&qid=1276884236&sr=8-42 accessed Jun. 18, 2010.

Blenko Glass Company, #4703-HA Vase 28" high, <http://www.blenkoglass.com/store/catalog/product_info.php?cPath=23_31&products_id=1, accessed Jun. 21, 2010.

Zsolnay-Pécs, Vase, Glazed earthenware, polychrome enamels, and iridescent glazes (1996) The Art Institute of Chicago <<http://artic.edu/aic/collections/artwork/143586/print>> accessed.

Edward George Diers, The Rockwood Pottery Company, Vase (1990) Cincinatti Art Museum <<http://72.249.182.183/collection/results.do?id=7678&db=object&view=detail>> accessed Jun. 21, 2010.

Wholesale Duo Tone Modern Vase, <http://www.wholesalemart.com/Wholesale-Duo-Tone-Modern-Vase-p/38377.htm> accessed Jun. 29, 2010.

Milano vase from LSA International (Available Mar. 2009).

Louis Comfort Tiffany, Tiffany Glass & Decorating Co., Cincinatti Art Museum <<http://72.249.182.183/collection/results.do?id=7011&db=objects&view=detail>> accessed Jun. 21, 2010.

Personalized Large Sky Blue Ariana Vase, Personalized Engraved Gifts, <[http://www.personalized-engraved-gifts.com/images/sce/Sky . . .](http://www.personalized-engraved-gifts.com/images/sce/Sky...)> accessed Jun. 23, 2010.

Kosta Boda, Orchid ,http://www.glasboden.se/kostaboda?kosta_boda_orchid.php#> accessed Jun. 18, 2010.

* cited by examiner

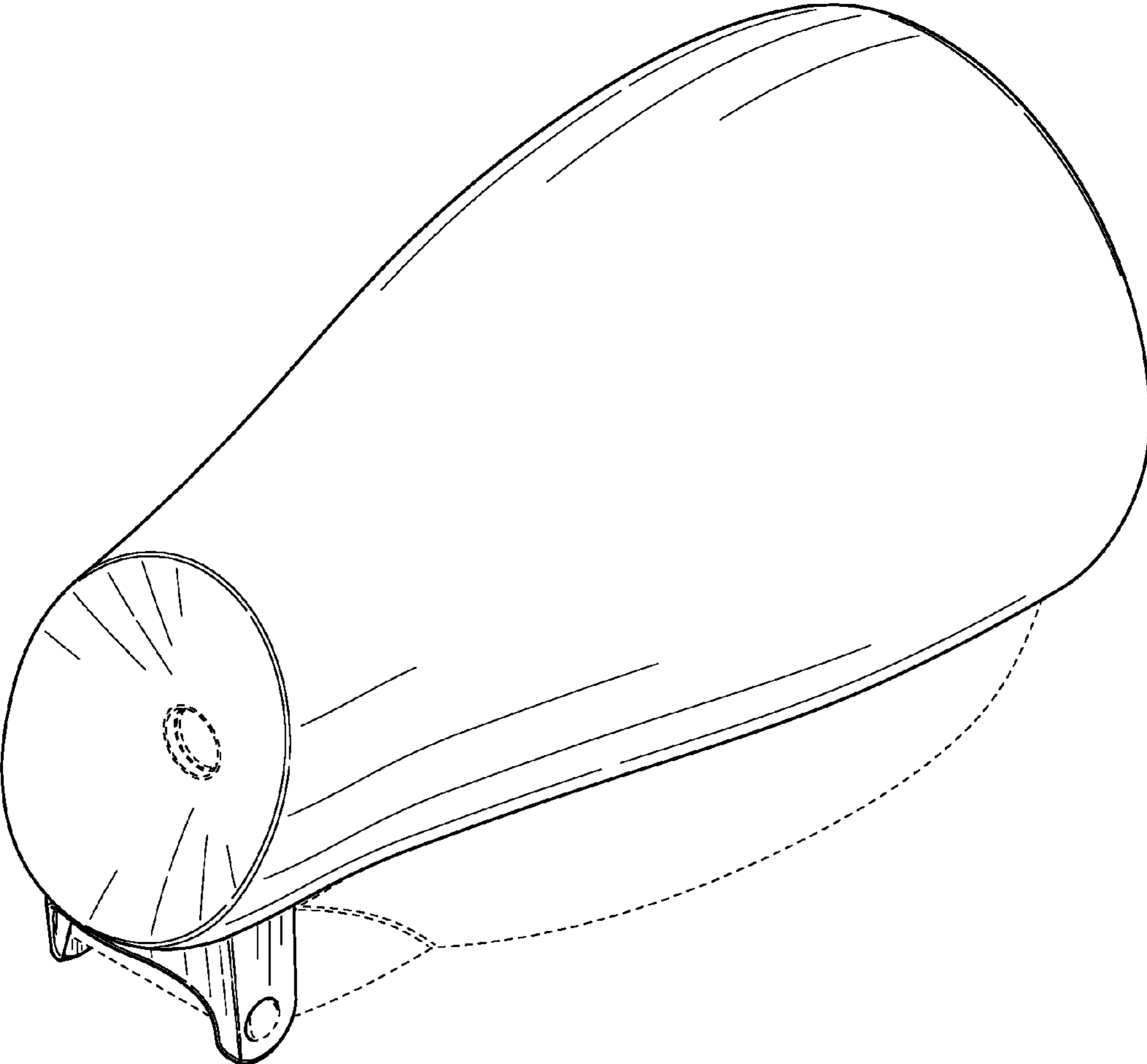


FIG. 1

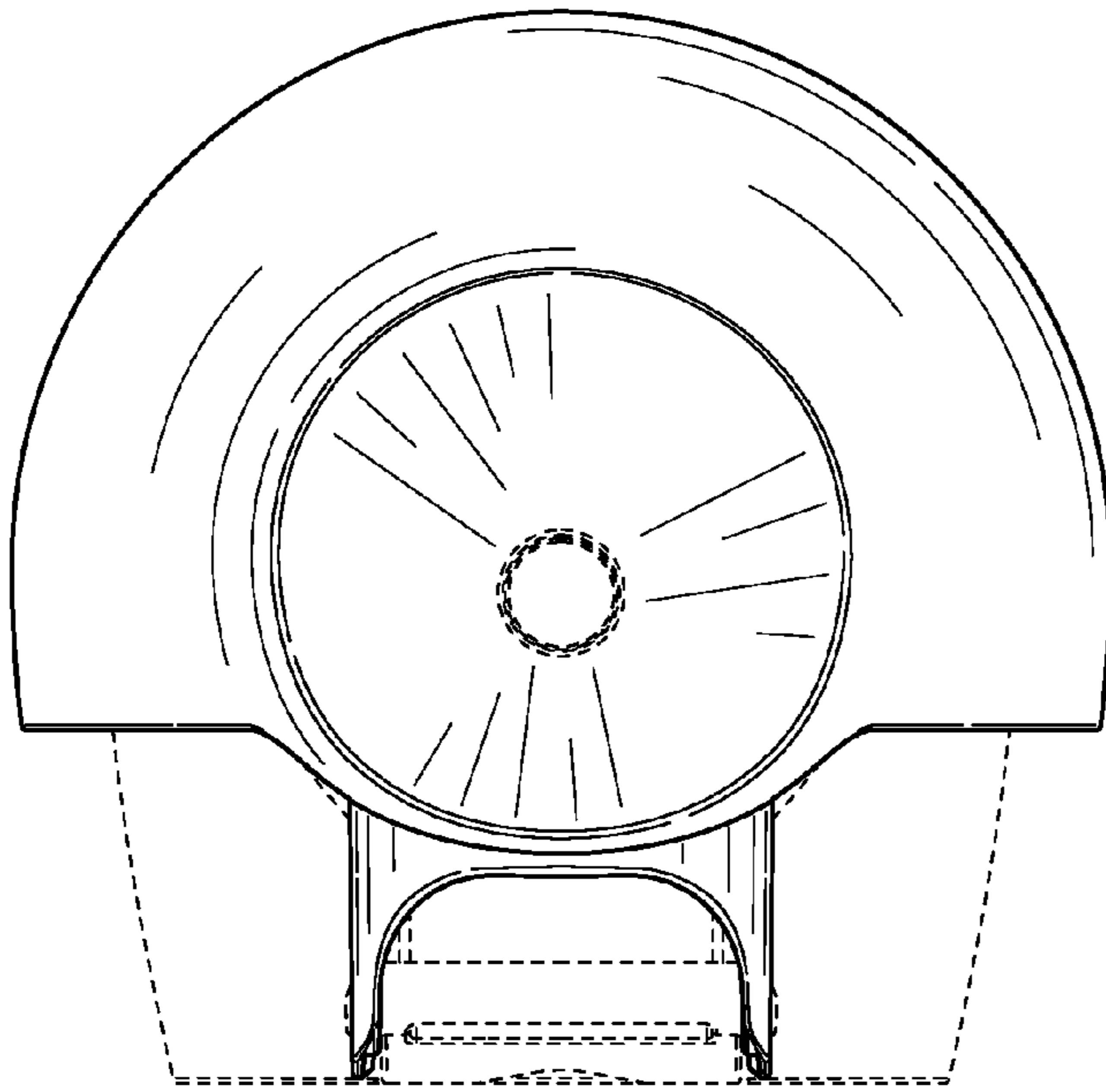


FIG. 2

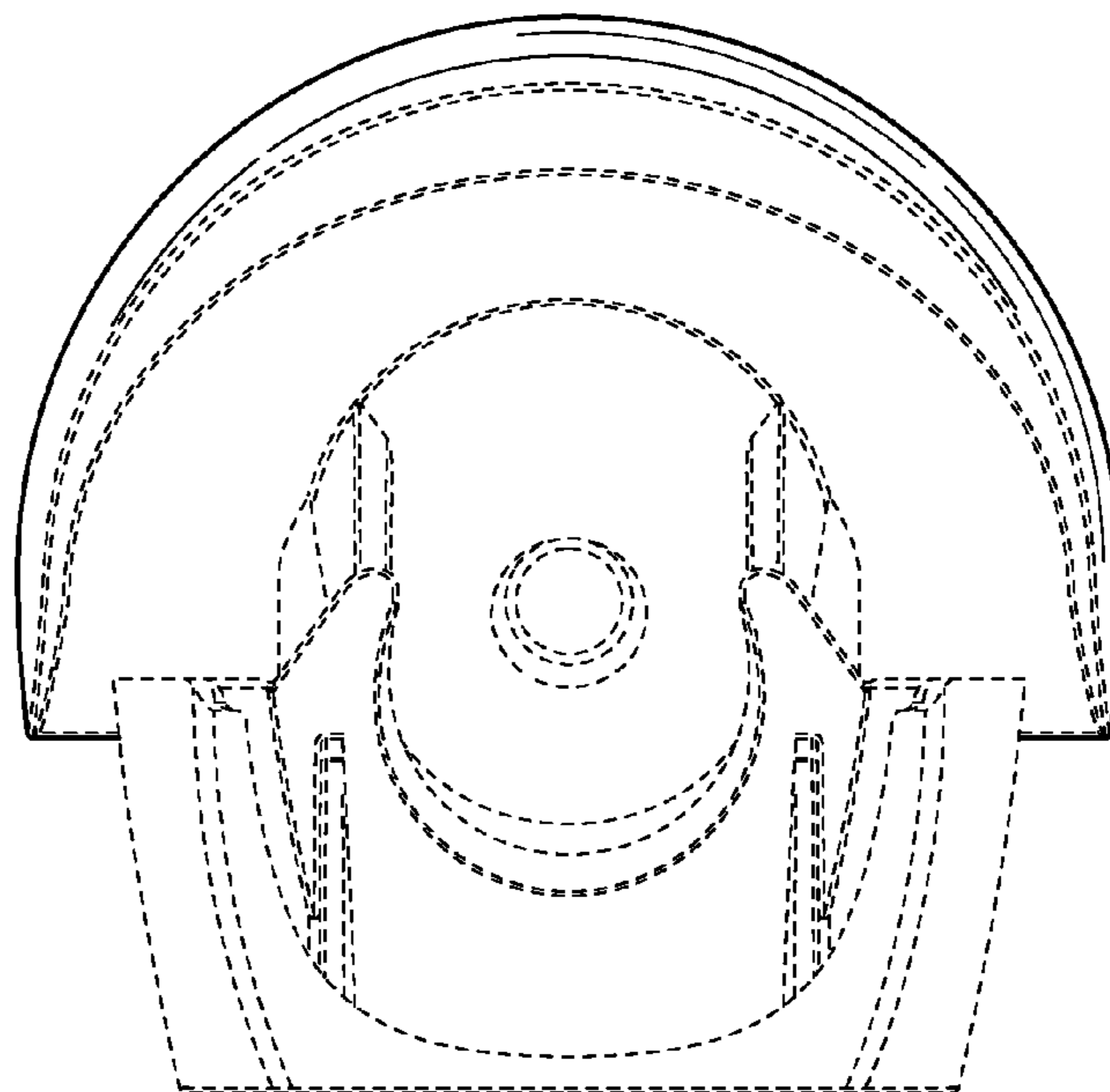


FIG. 3

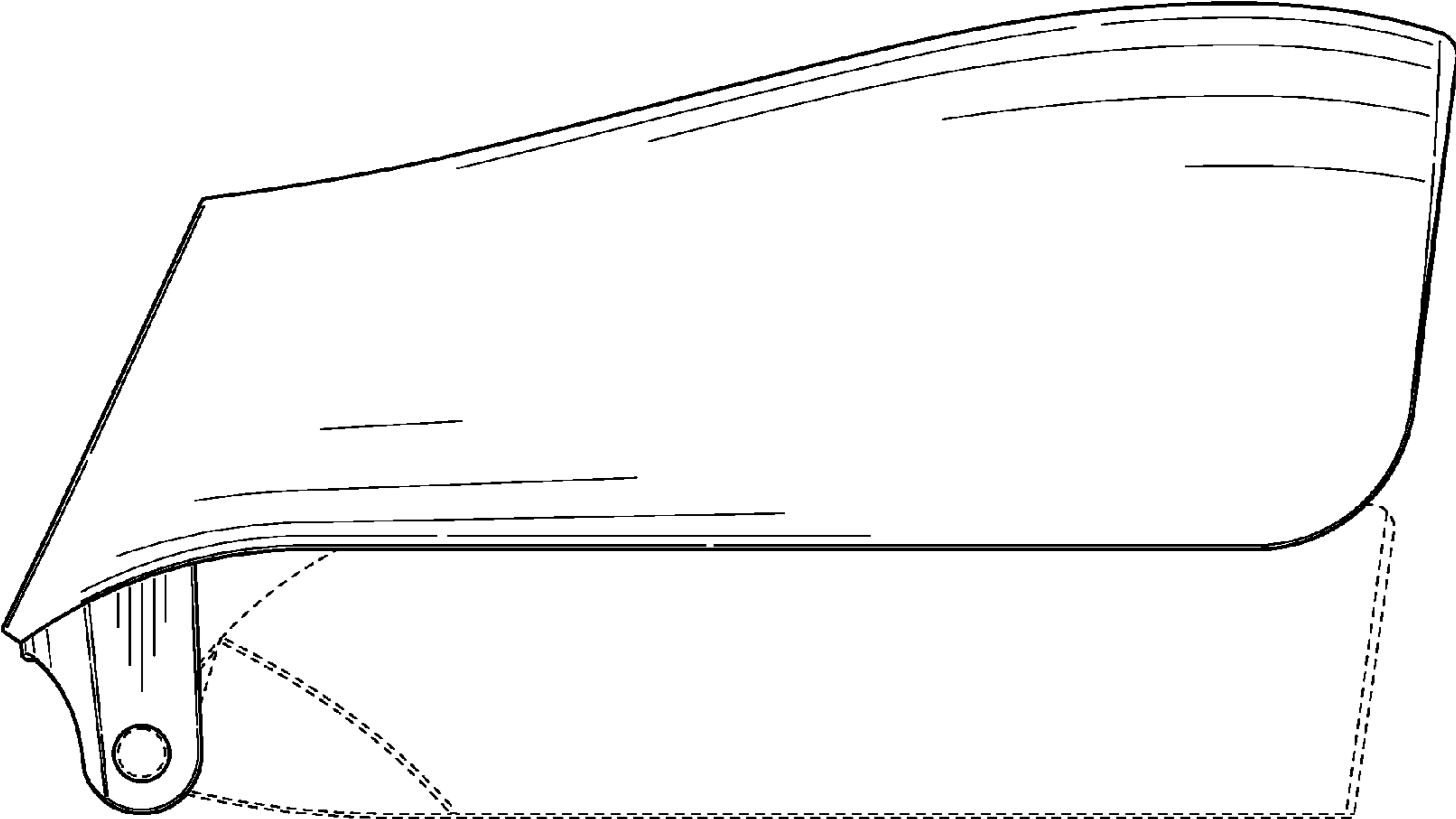


FIG. 4

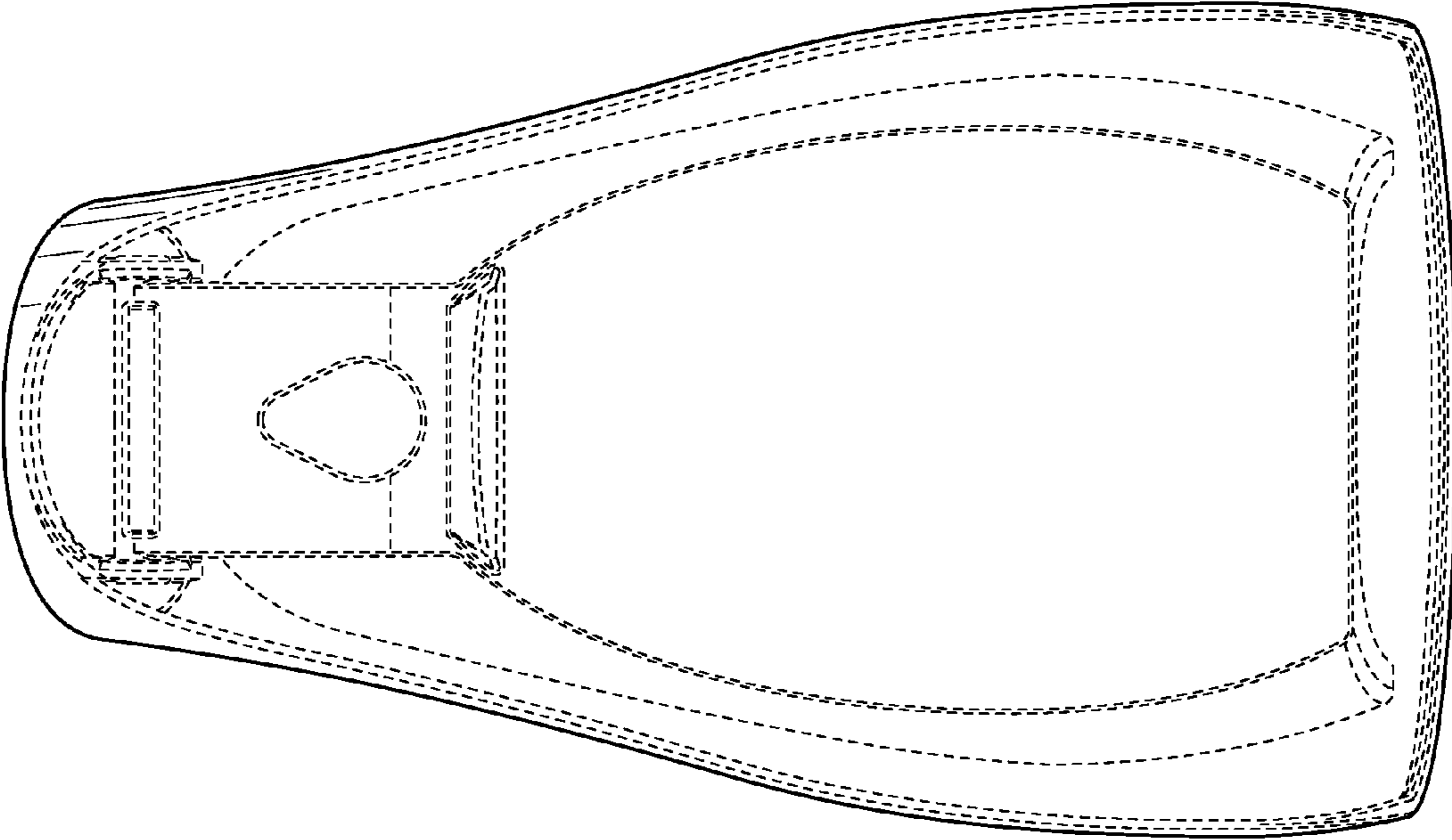


FIG. 6

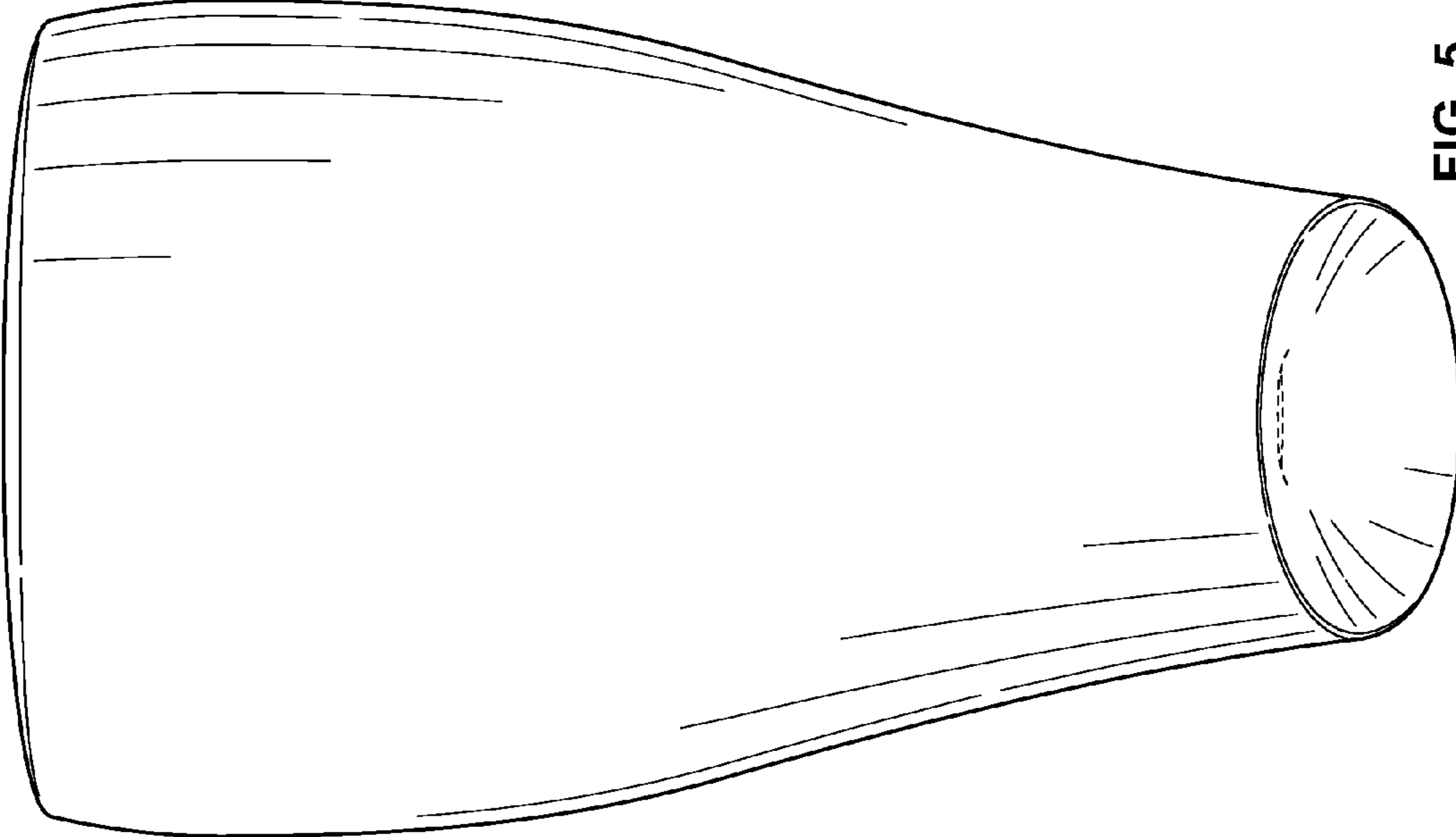


FIG. 5

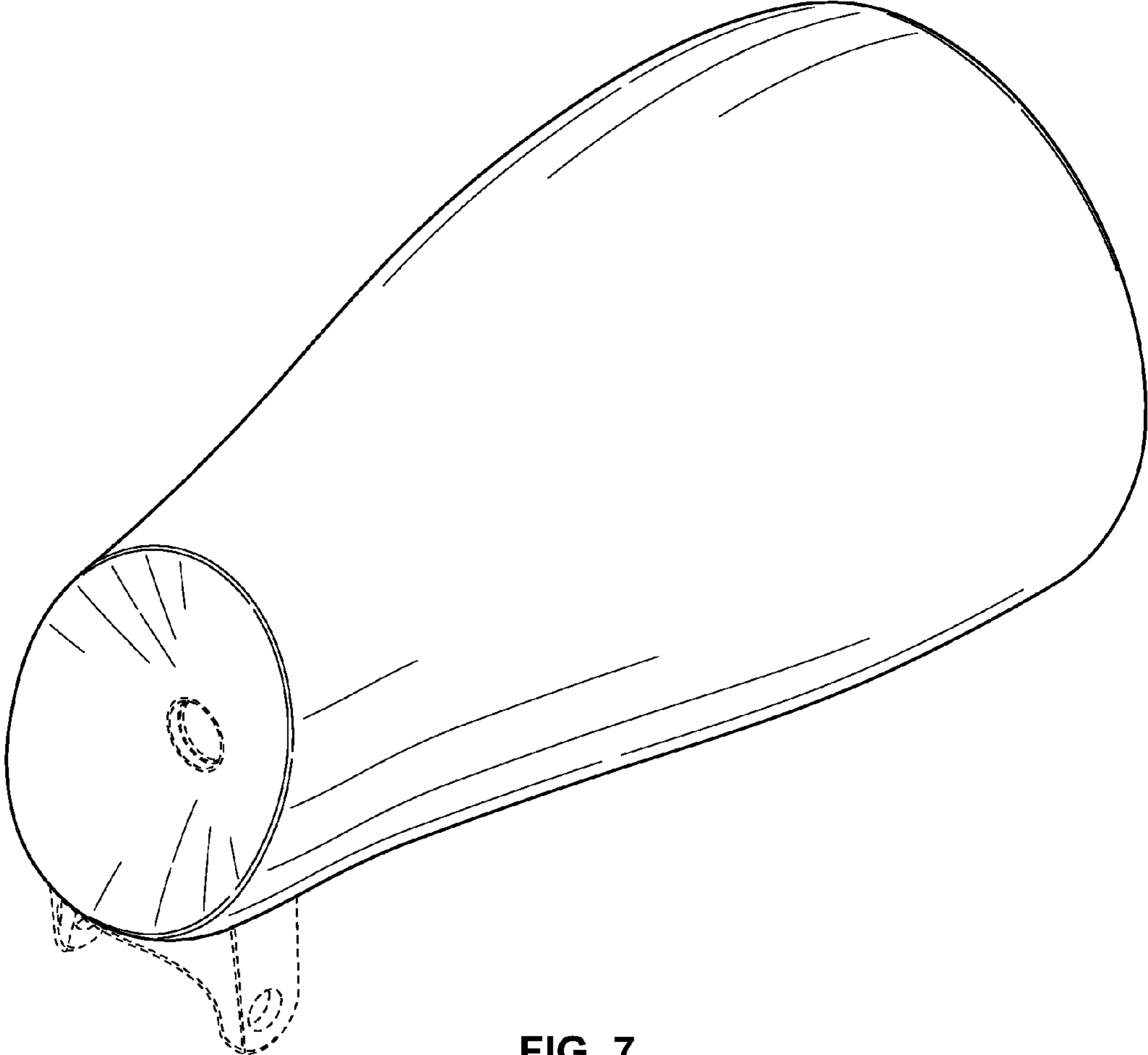


FIG. 7

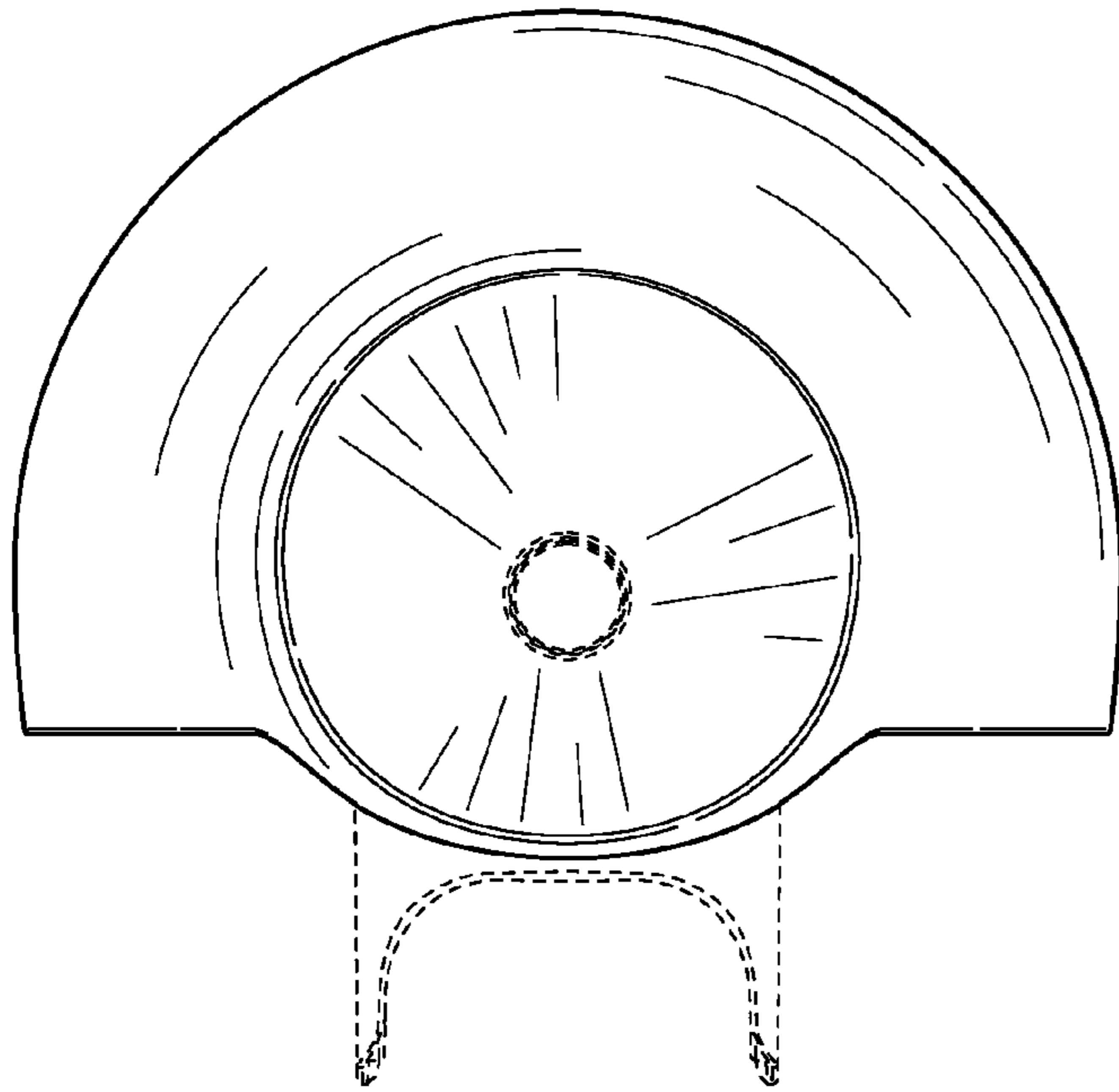


FIG. 8

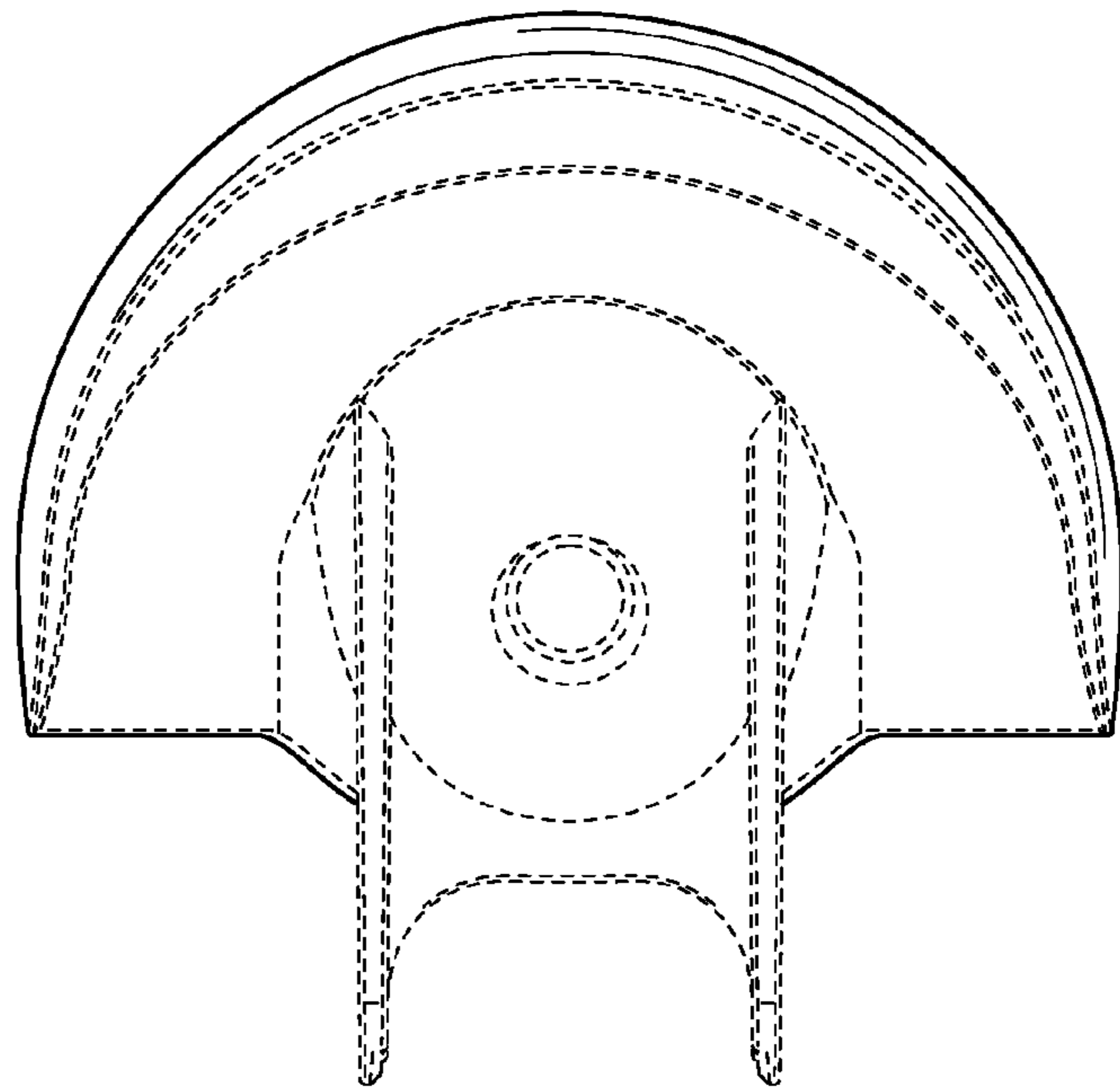


FIG. 9

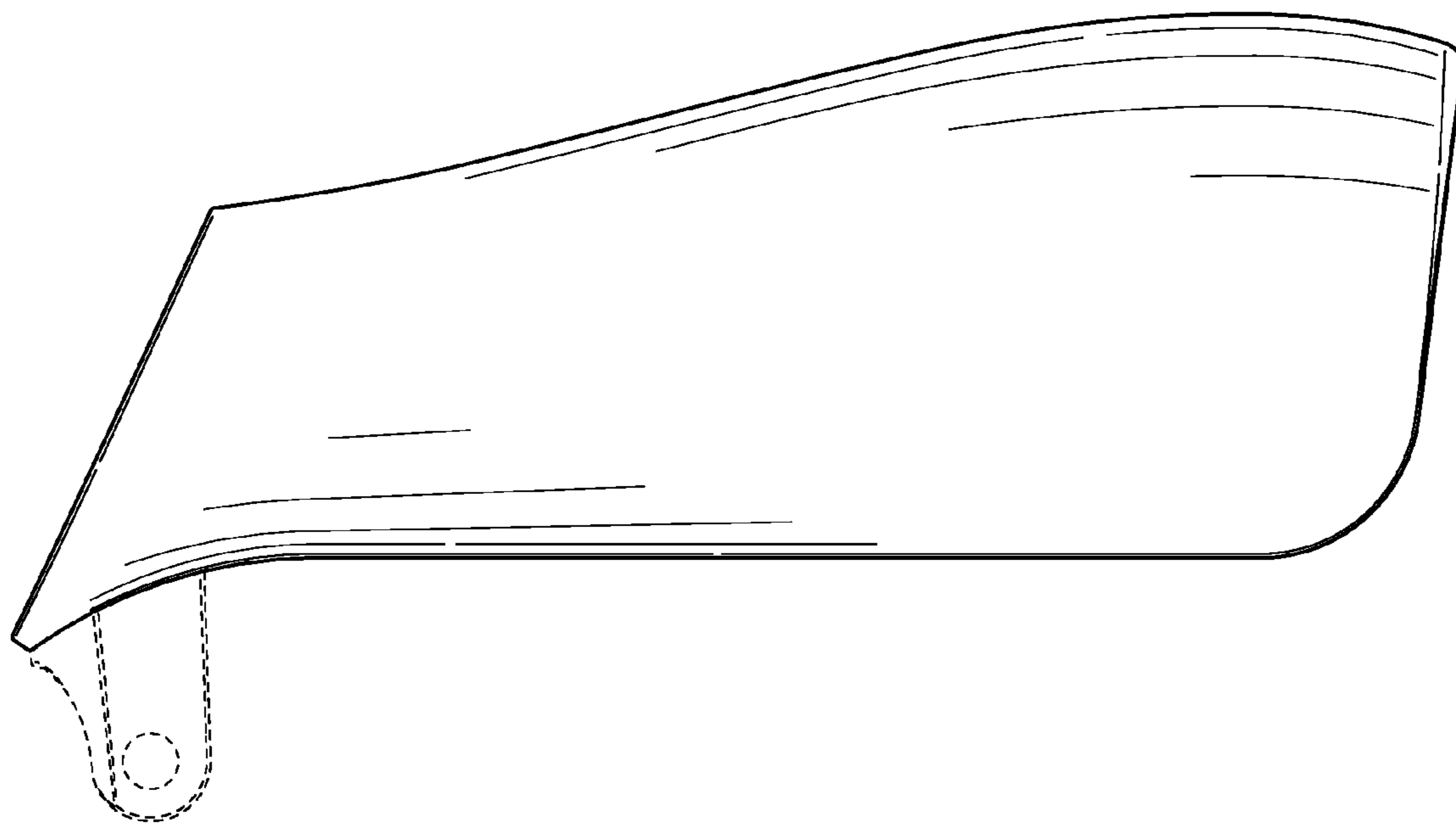


FIG. 10

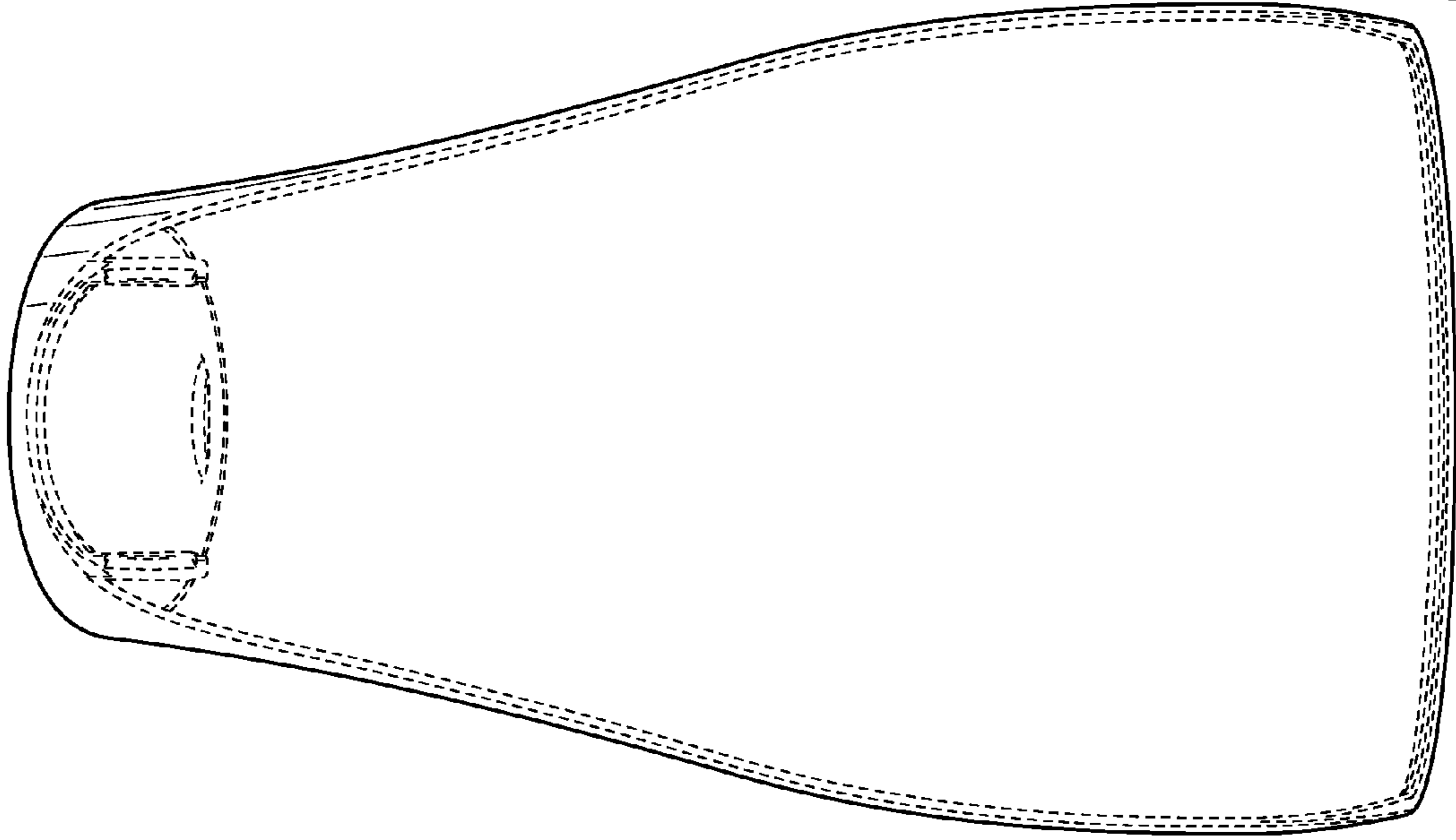


FIG. 12

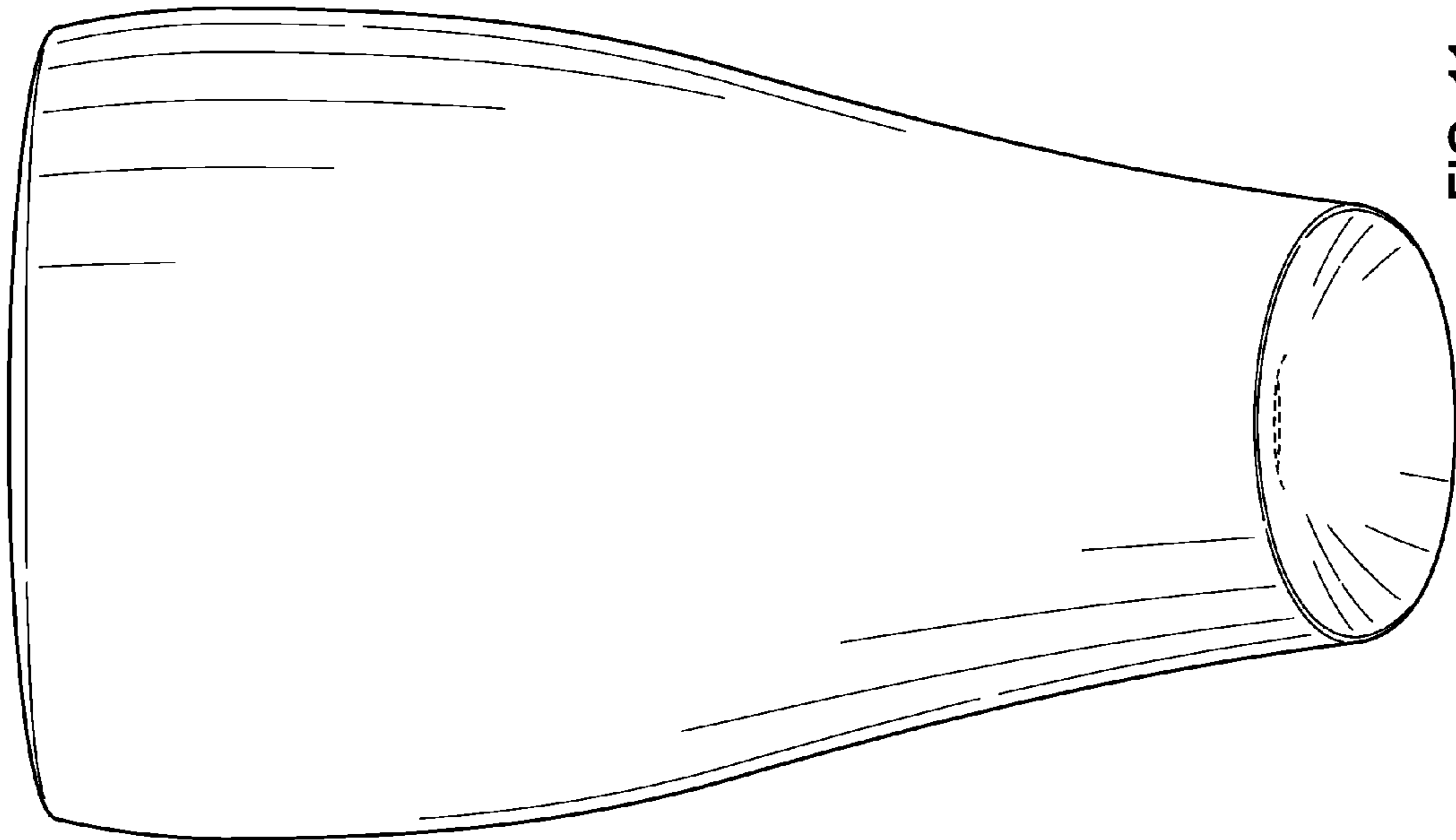


FIG. 11