

US00D692115S

(12) **United States Design Patent**
Ramberg

(10) **Patent No.:** **US D692,115 S**

(45) **Date of Patent:** **** Oct. 22, 2013**

(54) **AFTERTREATMENT DEVICE FOR AN EXHAUST TREATMENT SYSTEM**

(76) Inventor: **Charles E. Ramberg**, Los Altos Hills, CA (US)

(**) Term: **14 Years**

(21) Appl. No.: **29/364,869**

(22) Filed: **Jun. 29, 2010**

(51) **LOC (9) Cl.** **23-04**

(52) **U.S. Cl.**
USPC **D23/365**

(58) **Field of Classification Search**
USPC D23/365, 209, 363, 358, 386, 354, 341, D23/364, 366; 55/385.3, 502, 497, 506, 55/505, 521, 495, 422, 493, DIG. 30; 210/435, 130, 136, 248, 339, 448, 452, 210/497.1; D32/31; D15/5
See application file for complete search history.

(56) **References Cited**

U.S. PATENT DOCUMENTS

D236,621 S *	9/1975	Howard	D23/366
D365,230 S *	12/1995	Tange	D6/491
D366,934 S *	2/1996	Asselbergs	D23/411
6,328,083 B1 *	12/2001	Esterson et al.	150/154
D457,617 S *	5/2002	Chiang	D23/372
D470,584 S *	2/2003	Elwell et al.	D23/406

D474,280 S *	5/2003	Niedbala et al.	D24/232
D538,882 S *	3/2007	Benecke	D23/207
D562,600 S *	2/2008	Diekman	D6/486
D568,941 S *	5/2008	Elmer et al.	D20/10
D590,491 S *	4/2009	Kirk et al.	D23/403
D592,741 S *	5/2009	Miura	D23/372
7,635,298 B2 *	12/2009	Henneberry	454/307

* cited by examiner

Primary Examiner — David Muller

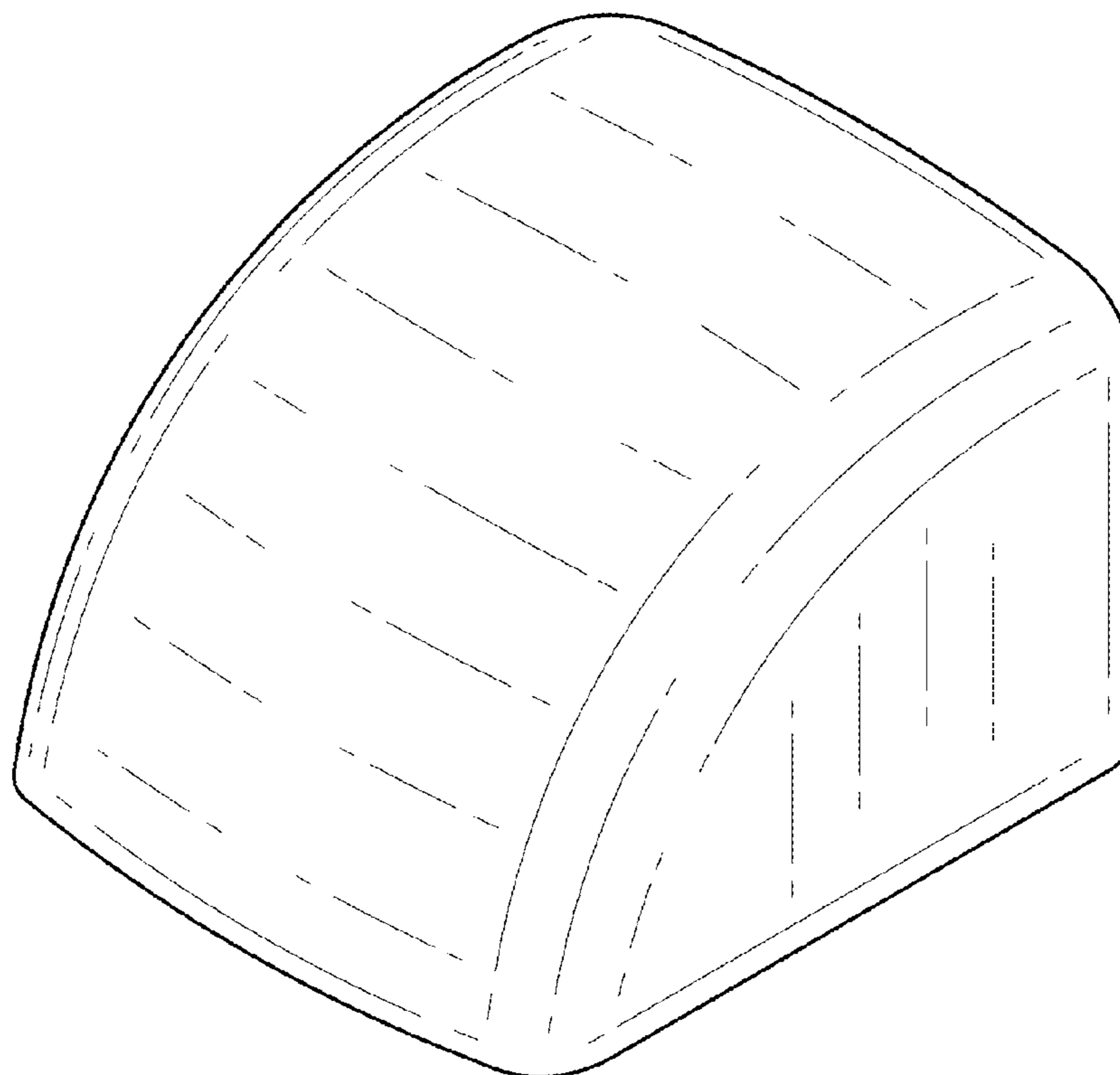
(57) **CLAIM**

The ornamental design for an aftertreatment device for an exhaust treatment system, as shown and described.

DESCRIPTION

FIG. 1 is a left side elevation view of the aftertreatment device for an exhaust treatment system;
FIG. 2 is a right side elevation view thereof;
FIG. 3 is a rear elevation view thereof;
FIG. 4 is a front elevation view thereof;
FIG. 5 is a top plan view thereof;
FIG. 6 is a bottom plan view thereof; and,
FIG. 7 is a perspective view thereof.
The broken line showing of parts of the drawings is included for the purpose of illustrating use and environment and forms no part of the claimed design.

1 Claim, 4 Drawing Sheets



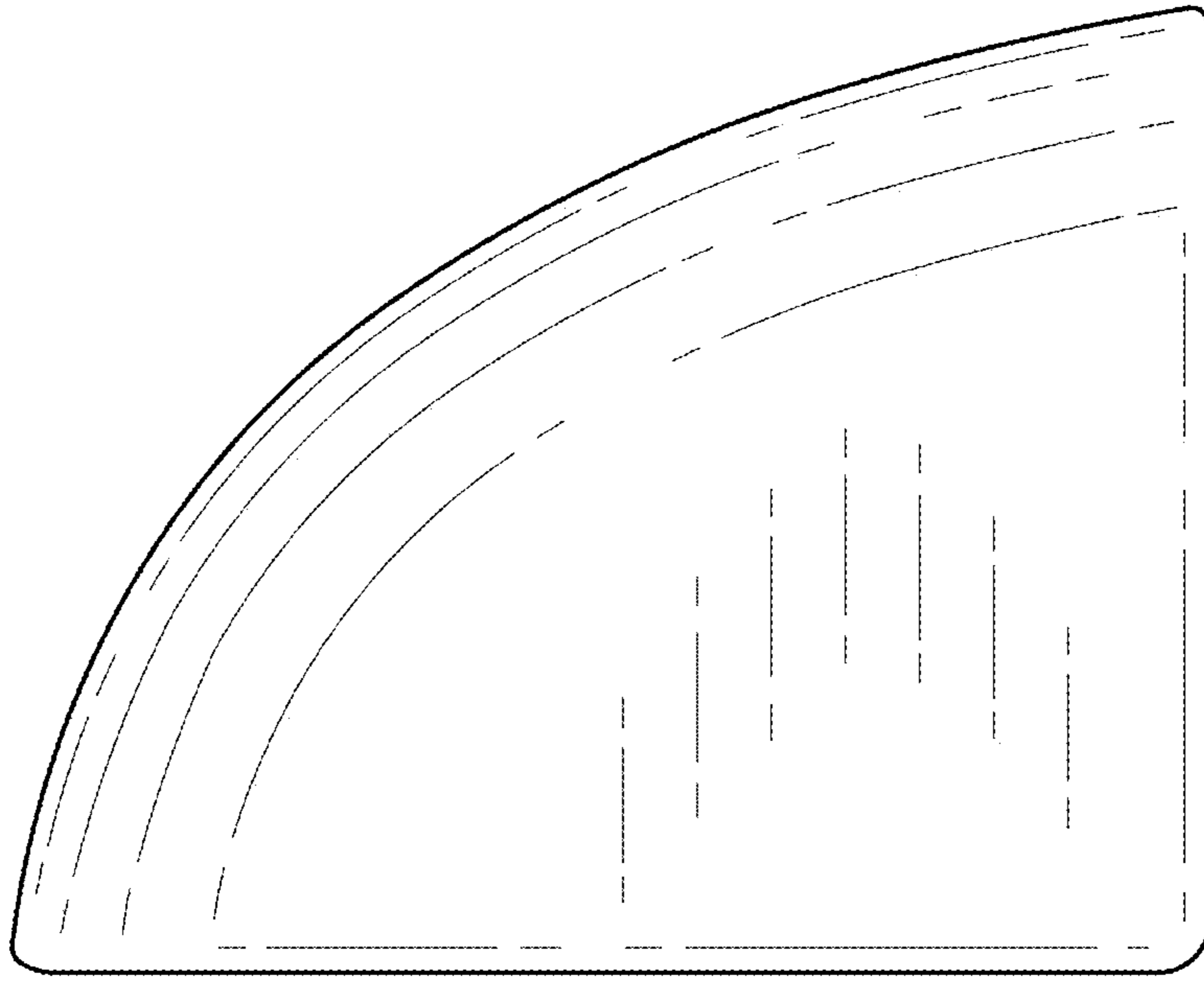


FIG. 1

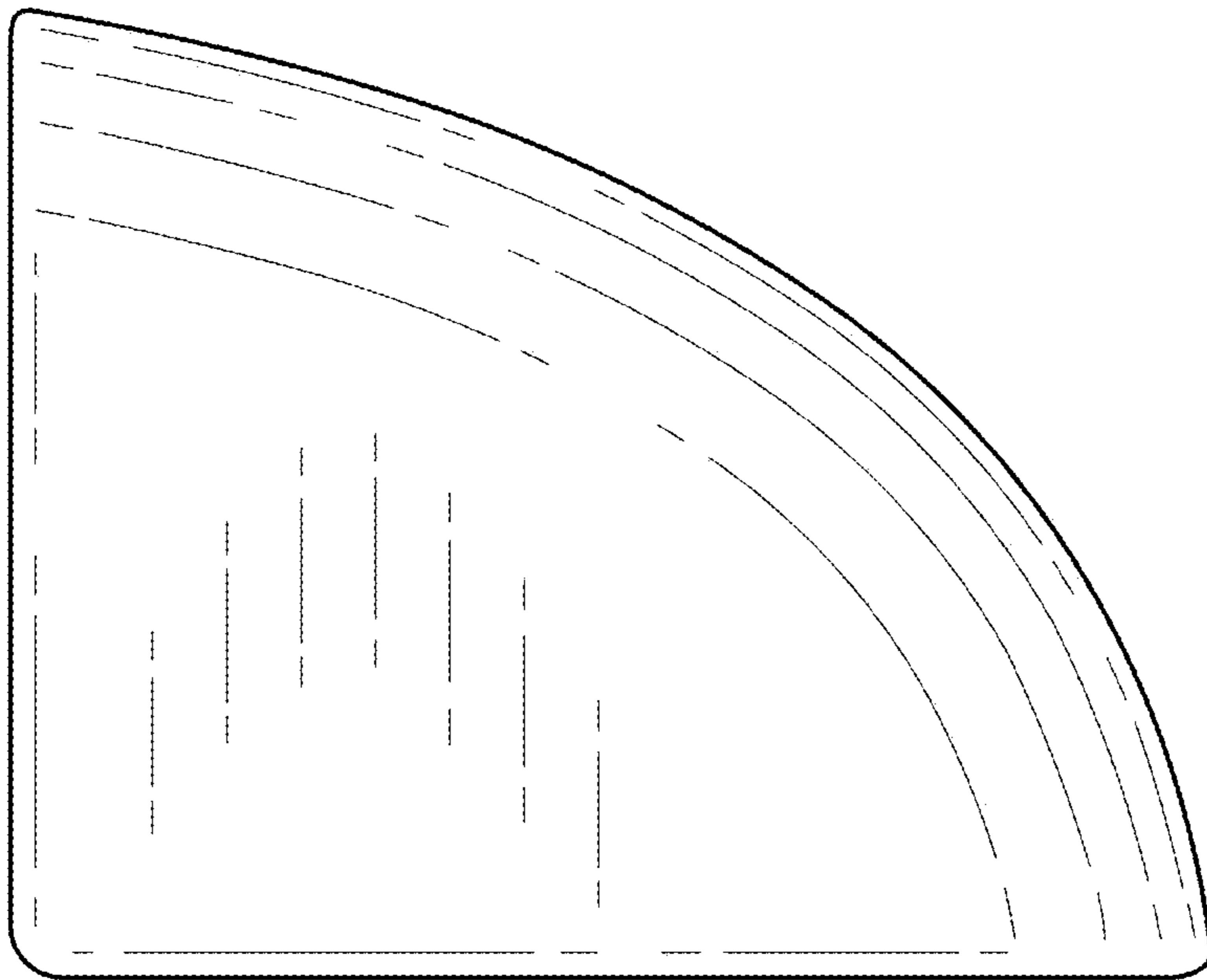


FIG. 2

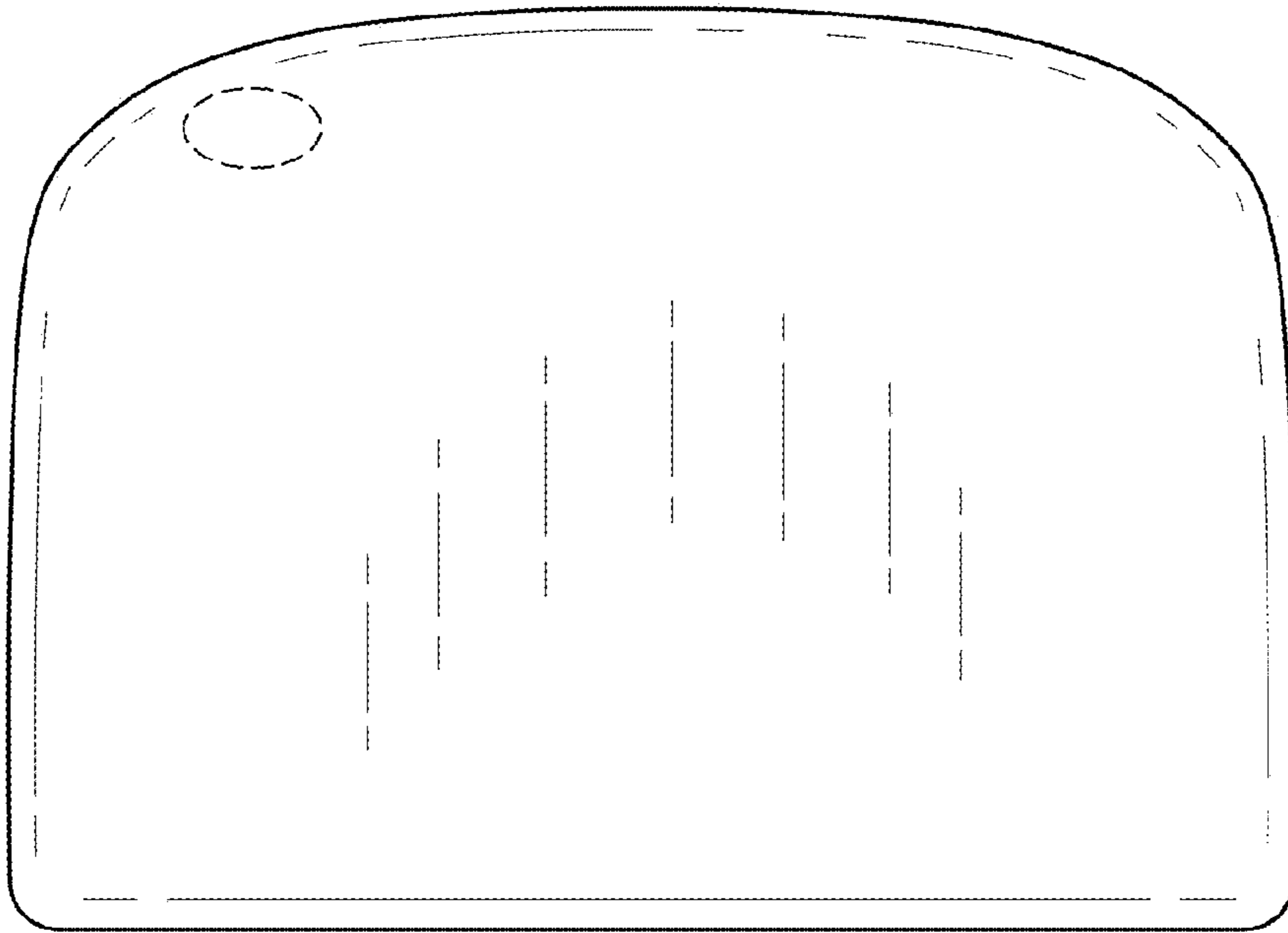


FIG. 3

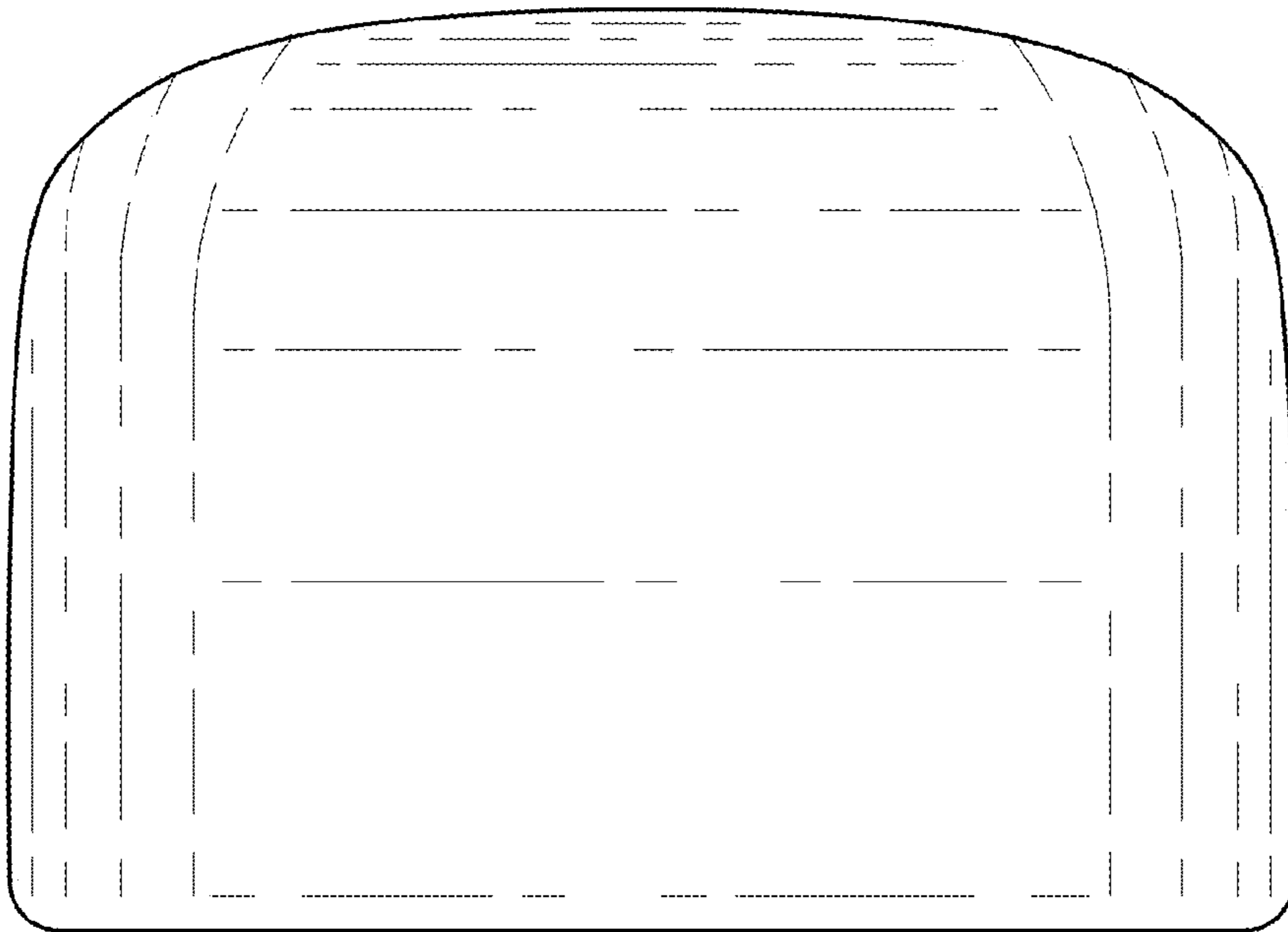


FIG. 4

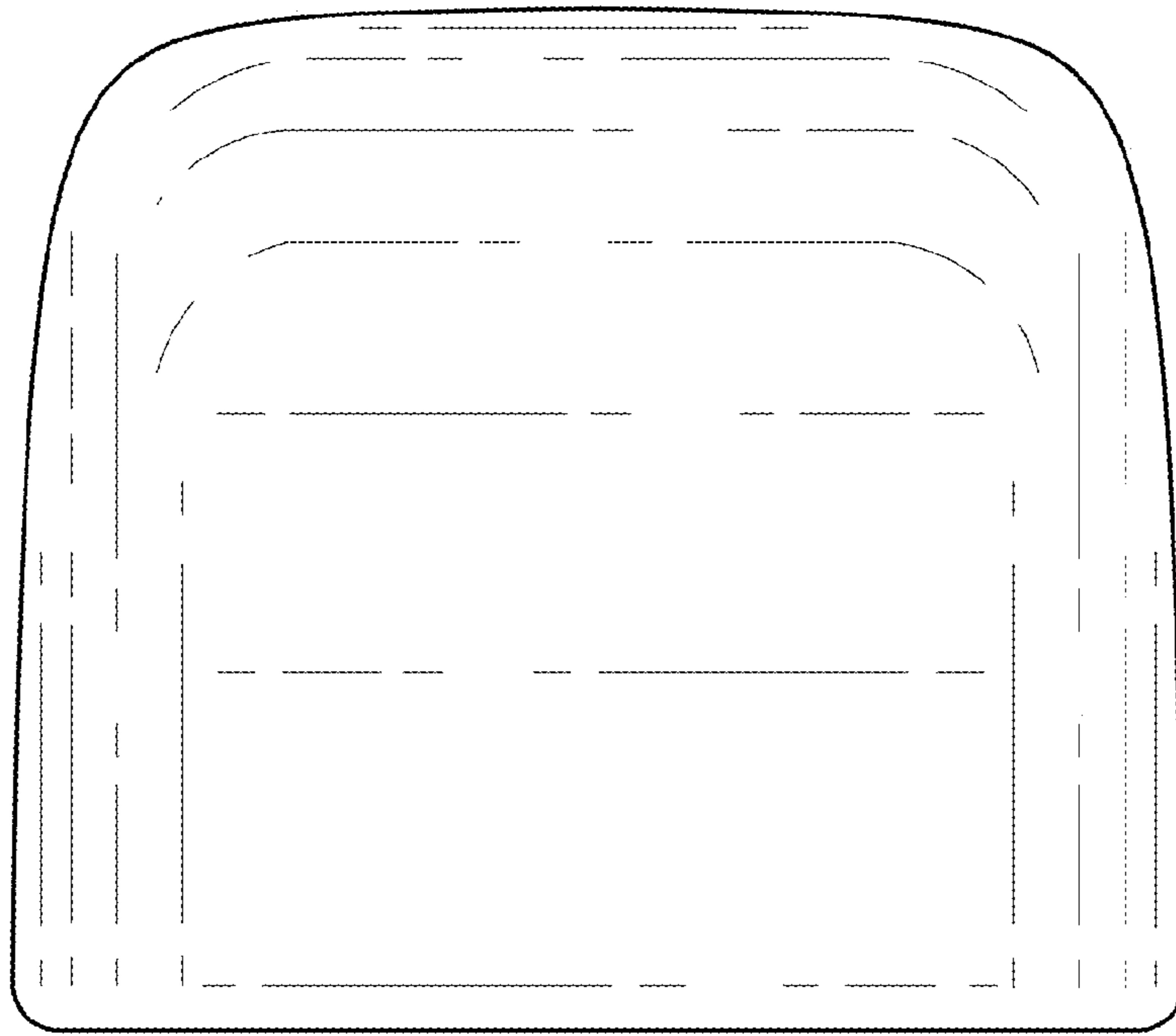


FIG. 5

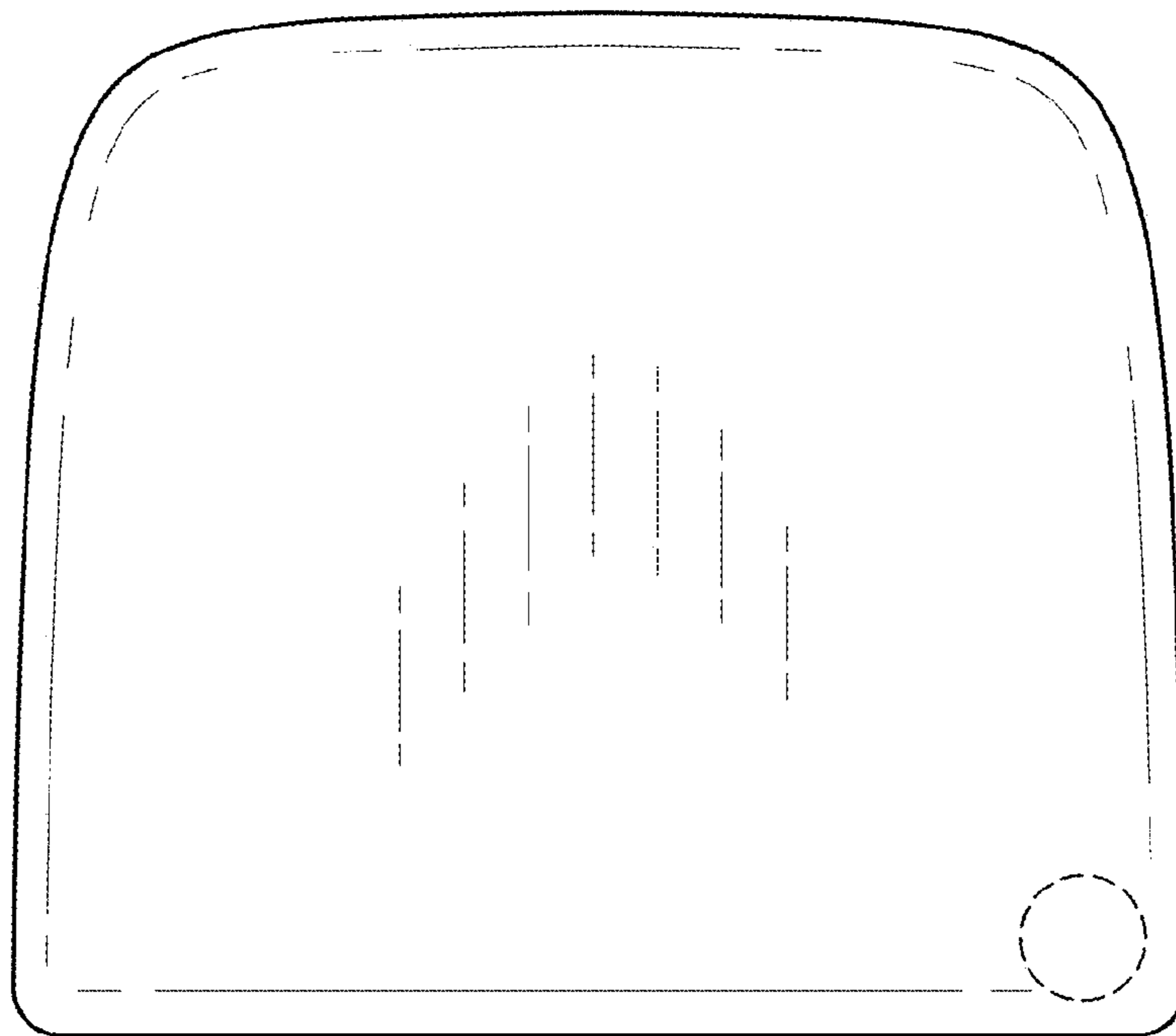


FIG. 6

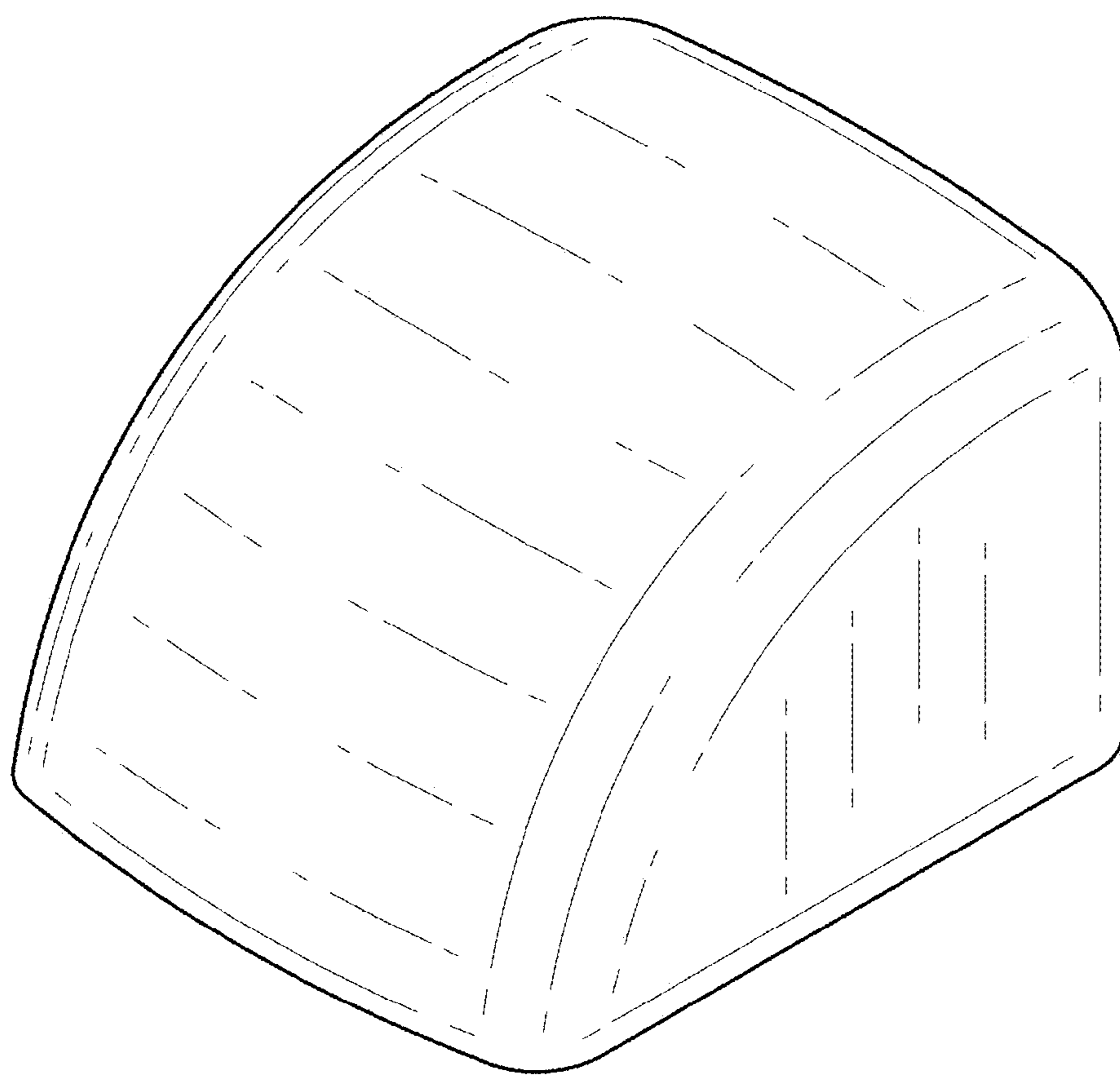


FIG. 7