

US00D692113S

(12) **United States Design Patent**
Eilmus

(10) **Patent No.:** **US D692,113 S**
(45) **Date of Patent:** **** Oct. 22, 2013**

- (54) **SINK**
- (71) Applicant: **Kohler Co.**, Kohler, WI (US)
- (72) Inventor: **Niels J. Eilmus**, Sheboygan, WI (US)
- (73) Assignee: **Kohler Co.**, Kohler, WI (US)
- (**) Term: **14 Years**
- (21) Appl. No.: **29/454,452**
- (22) Filed: **May 10, 2013**

D647,605 S 10/2011 Booth
 D656,228 S 3/2012 Booth
 D657,028 S 4/2012 Eilmus
 D663,394 S 7/2012 Eilmus

OTHER PUBLICATIONS

Office Action for Design U.S. Appl. No. 29/387,847, dated Oct. 17, 2011, 8 pages.

(Continued)

Primary Examiner — Robert Delehanty
(74) *Attorney, Agent, or Firm* — Foley & Lardner LLP

(57) **CLAIM**
I claim the ornamental design for a sink, as shown and described.

DESCRIPTION

FIG. 1 is a top perspective view of an embodiment of the claimed design;
 FIG. 2 is a top plan view of the claimed design of FIG. 1;
 FIG. 3 is a bottom plan view of the claimed design of FIG. 1;
 FIG. 4 is a left-side elevation view of the claimed design of FIG. 1;
 FIG. 5 is a front elevation view of the claimed design of FIG. 1;
 FIG. 6 is a right-side elevation view of the claimed design of FIG. 1;
 FIG. 7 is a rear elevation view of the claimed design of FIG. 1;
 FIG. 8 is a cross sectional view of FIG. 6; and,
 FIG. 9 is a cross sectional view of FIG. 5.
 The ornamental design which is claimed is shown in solid lines in the drawings. The broken lines in the drawings are for illustrative purposes only and form no part of the claimed design. The dot-dash-dot lines denote unclaimed boundaries of claimed surfaces and form no part of the claimed design.

Related U.S. Application Data

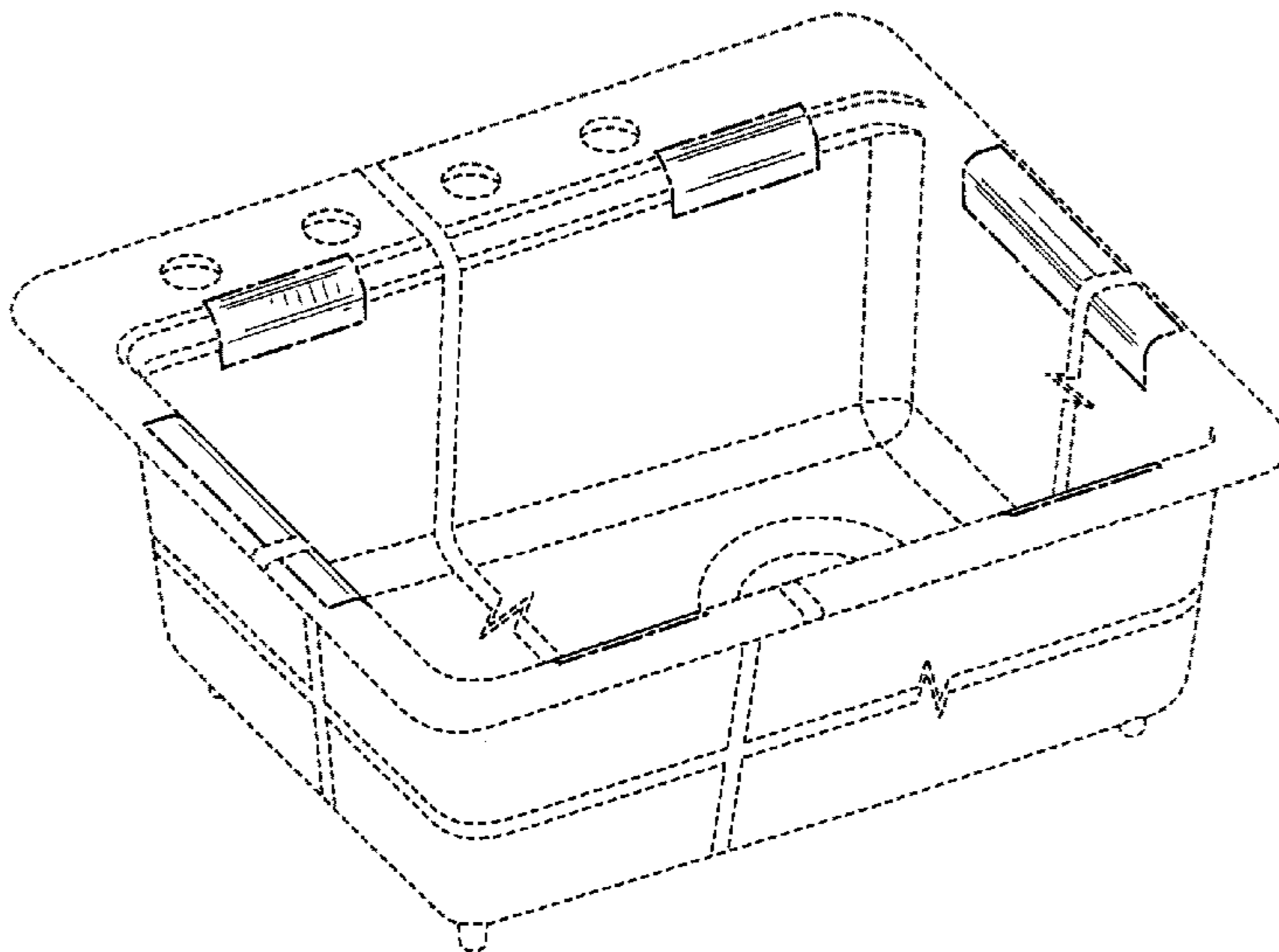
- (60) Division of application No. 29/390,172, filed on Apr. 20, 2011, now Pat. No. Des. 682,998, which is a continuation-in-part of application No. 29/387,847, filed on Mar. 18, 2011, now Pat. No. Des. 657,028.
- (51) **LOC (9) Cl.** **23-02**
- (52) **U.S. Cl.**
USPC **D23/308**
- (58) **Field of Classification Search**
USPC D23/284, 291, 293.1, 303, 308; 4/619,
4/639-640
See application file for complete search history.

(56) **References Cited**

U.S. PATENT DOCUMENTS

D354,119 S	1/1995	Hauser, II
D380,529 S	7/1997	Laughton
D382,332 S	8/1997	Schwartz
D482,764 S	11/2003	Genslak et al.
D494,664 S	8/2004	Arnold
D539,877 S	4/2007	Roberts
D549,806 S	8/2007	Taylor
D602,132 S	10/2009	Mahon
D603,025 S	10/2009	Mahon
D641,455 S	7/2011	Euse

1 Claim, 6 Drawing Sheets



(56)

References Cited

OTHER PUBLICATIONS

Blanco, Design for 511-652 Silgranit BlancoDiamond Single Bowl Drop In/Undermount Kitchen Sink Anthracite (Model No. BLAN 440194), retrieved Online at: <http://www.irawoods.com/Blanco-511-652-Silgranit-BlancoDiamond-Single-Bowl-Drop-In-Undermount-Kitchen-Sink-Anthracite?sc=22&category=731887>, Sep. 29, 2010, 1 page.

Blanco, Design for 44019 Blanco BlancoDiamond Single Basin Kitchen Sink, retrieved Online at: http://fixtureuniverse.com/Single-Basin/Blanco--BlancoDiamond-Single-Basin-Sink_1764741.html, Sep. 29, 2010, 1 page.

CornerStone, Inc., Design for Cornerstone Model 15 Coventry Advantage 3.2 Series Sink, Retrieved Nov. 4, 2010, 2 pages.

Kohler, Inc., Product Specification for 8 Degree, Undercounter Sink (Model K-3673), Sep. 29, 2010, 2 pages.

Kohler, Inc., Product Specification for Bakersfield Undercounter Kitchen Sink (Model K-5832-5U), Sep. 29, 2010, 1 page.

Polar Stainless Products, Inc., Designs for Stainless Steel Sinks, Model Nos. 482-4, 222-4, 432-4, 240-4, 320-4, 319-1, Sep. 29, 2010, 1 page.

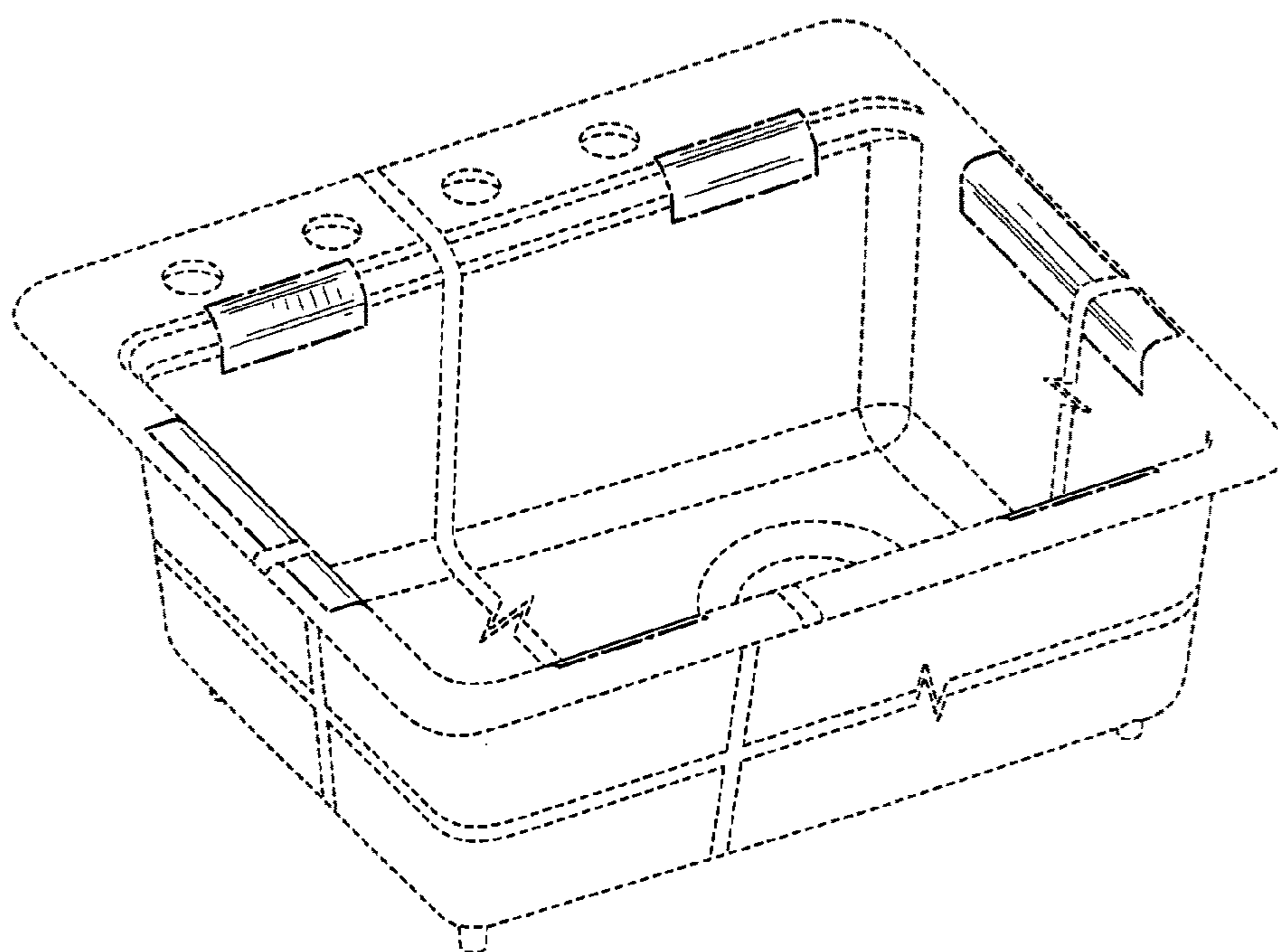


FIG. 1

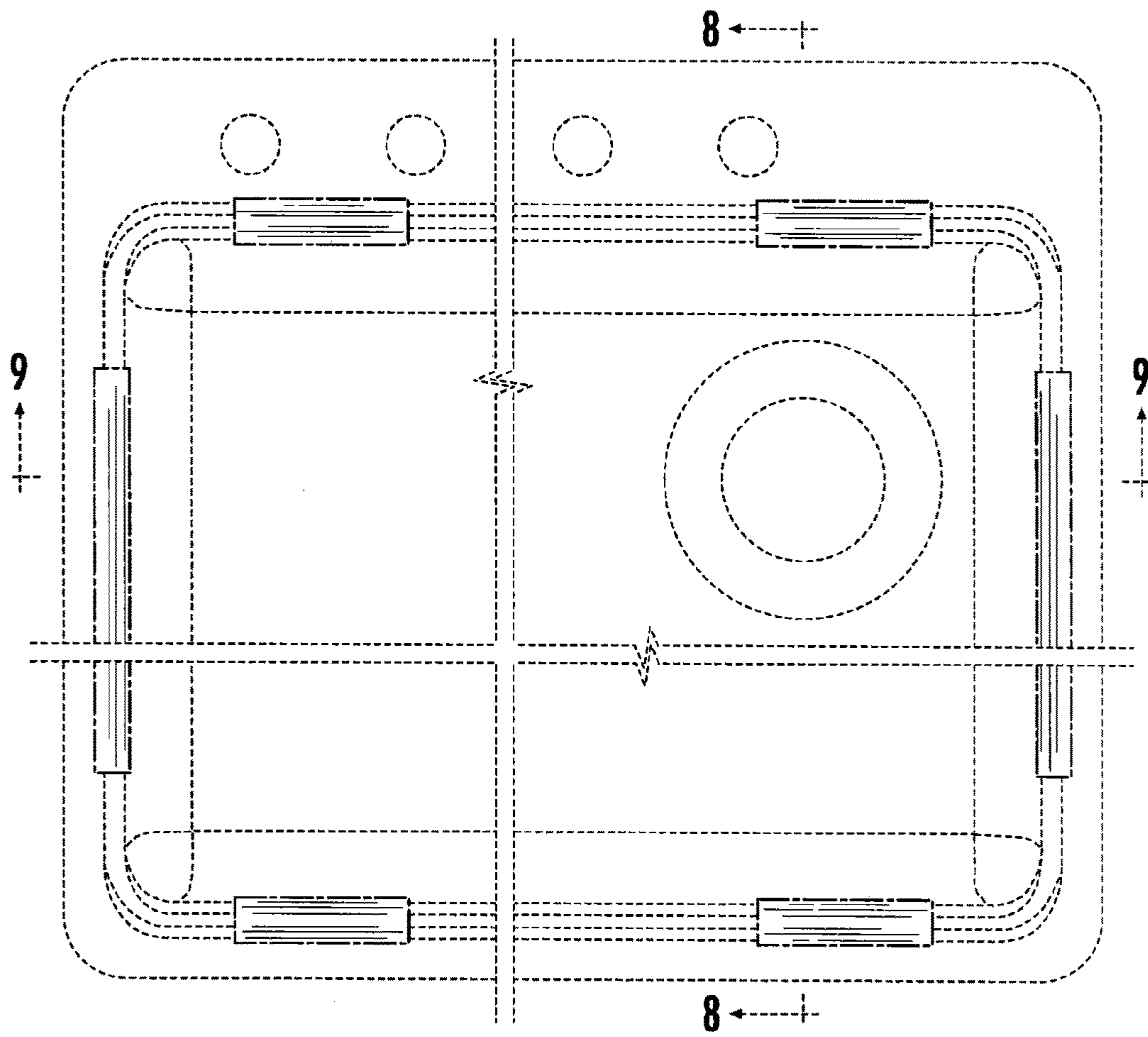


FIG. 2

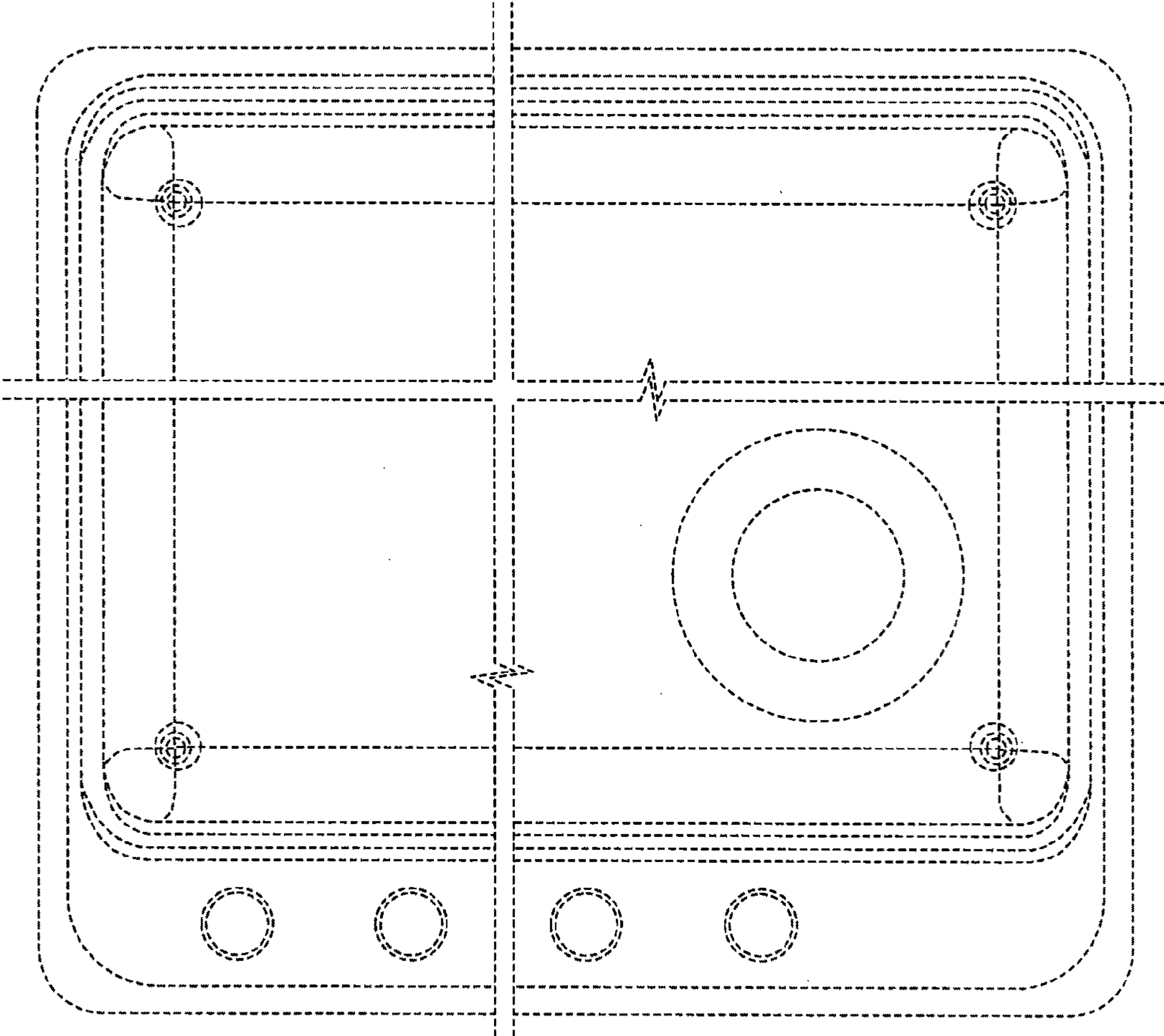


FIG. 3

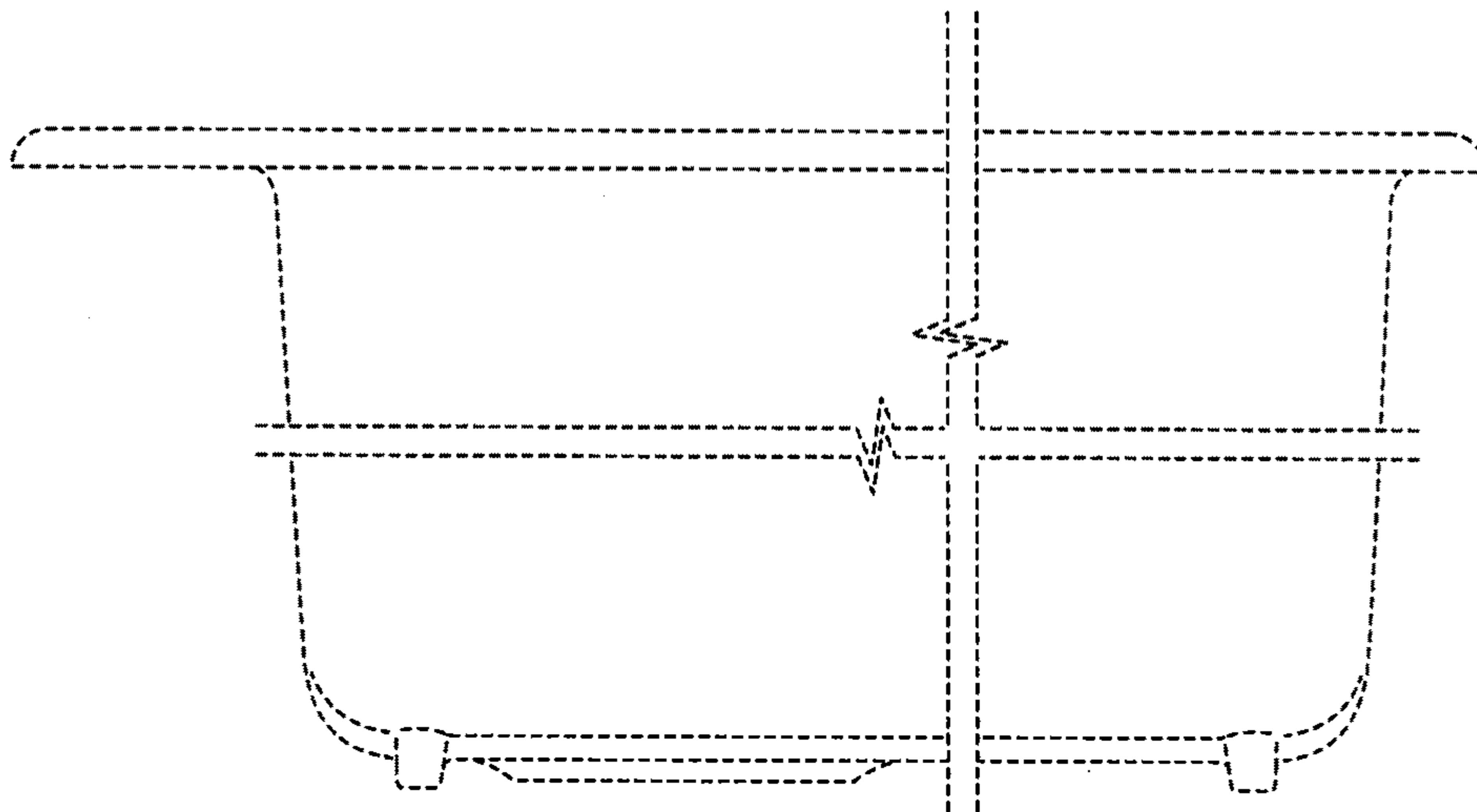


FIG. 4

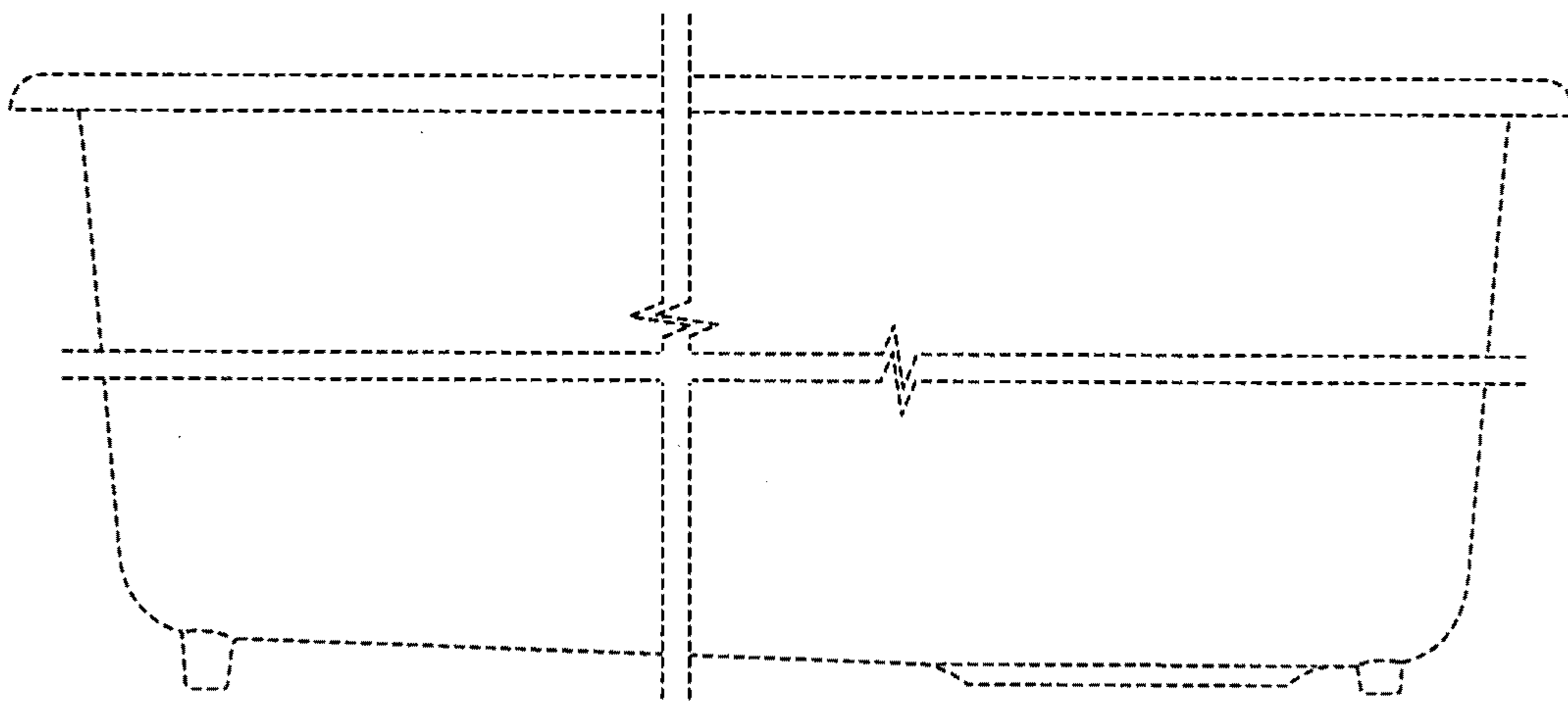


FIG. 5

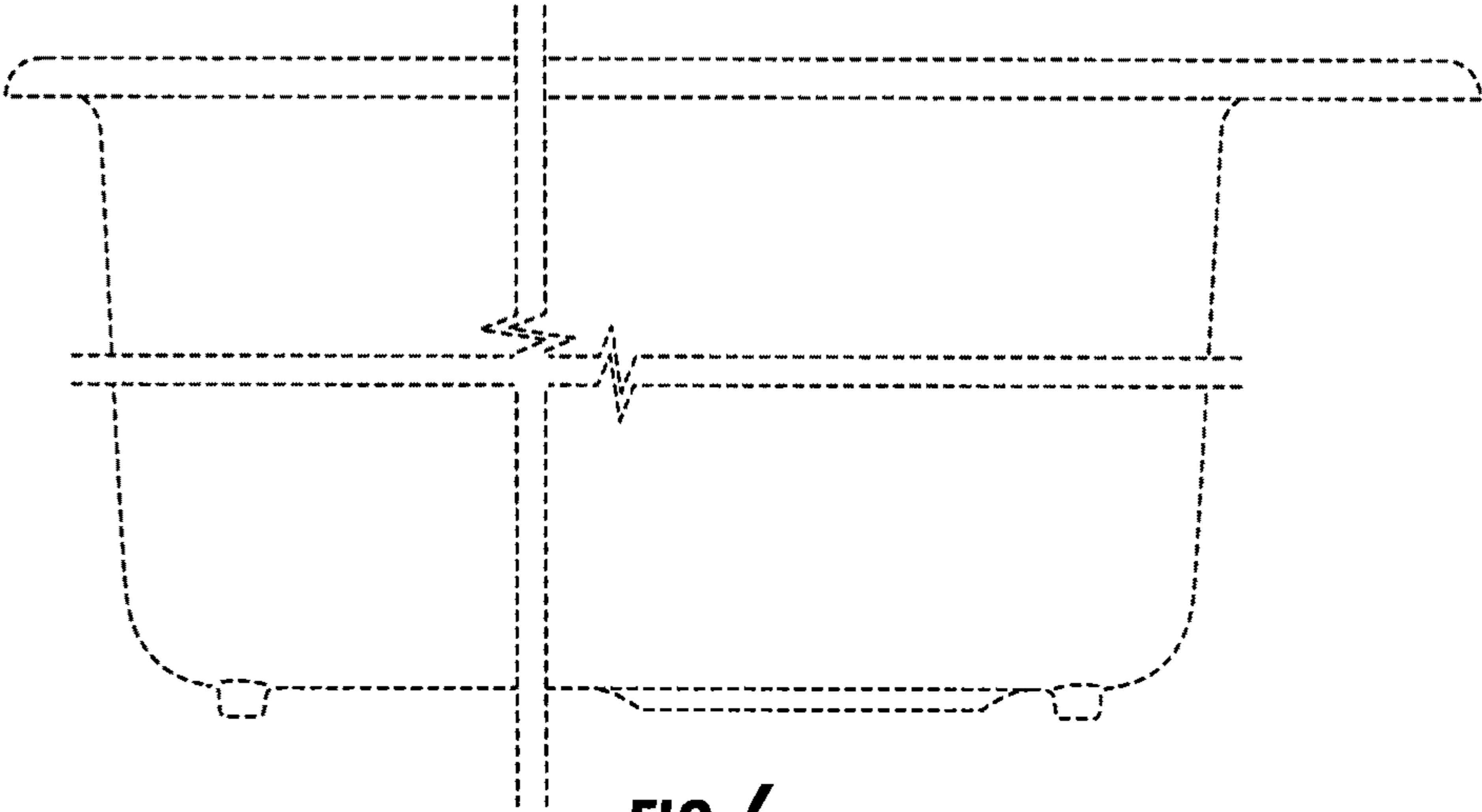


FIG. 6

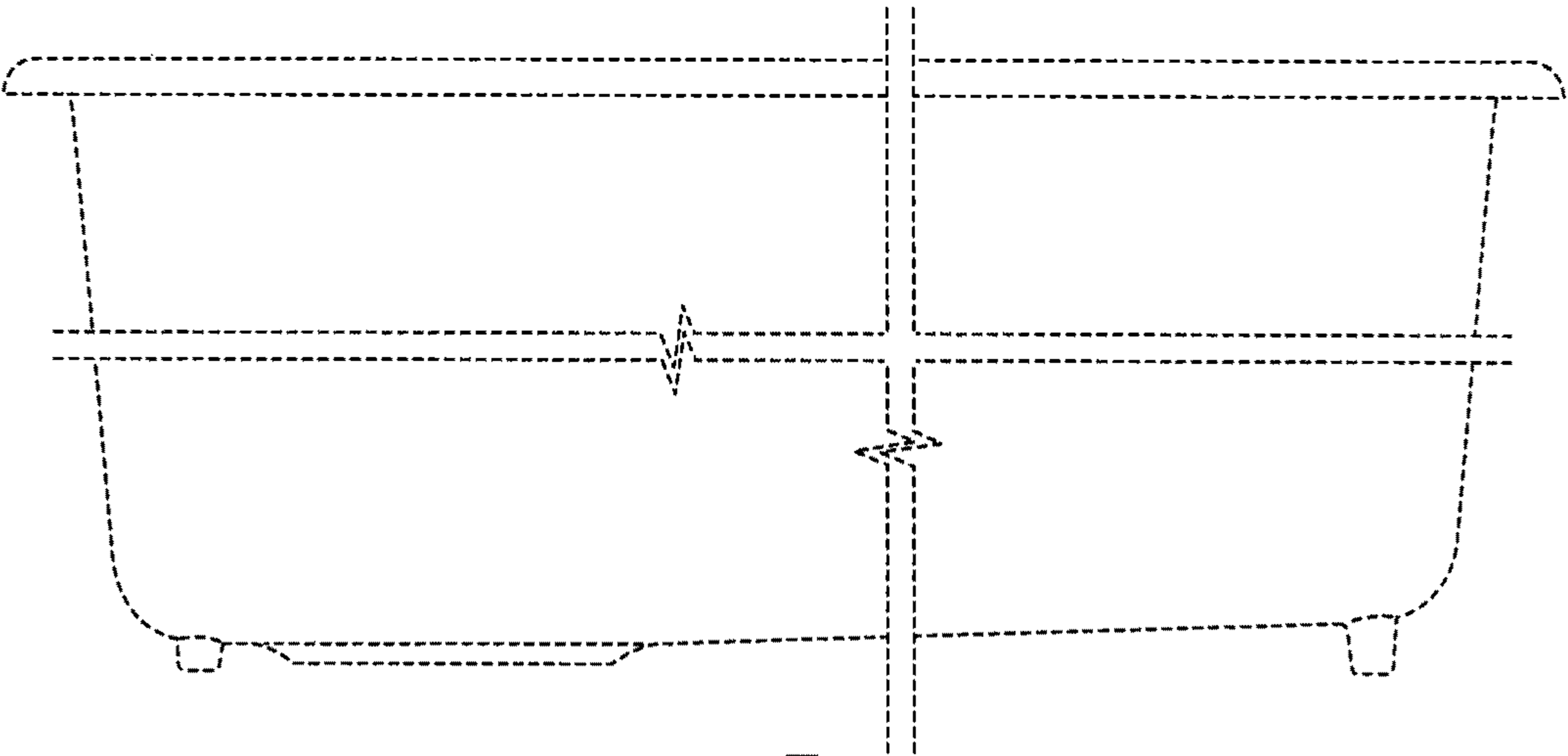


FIG. 7

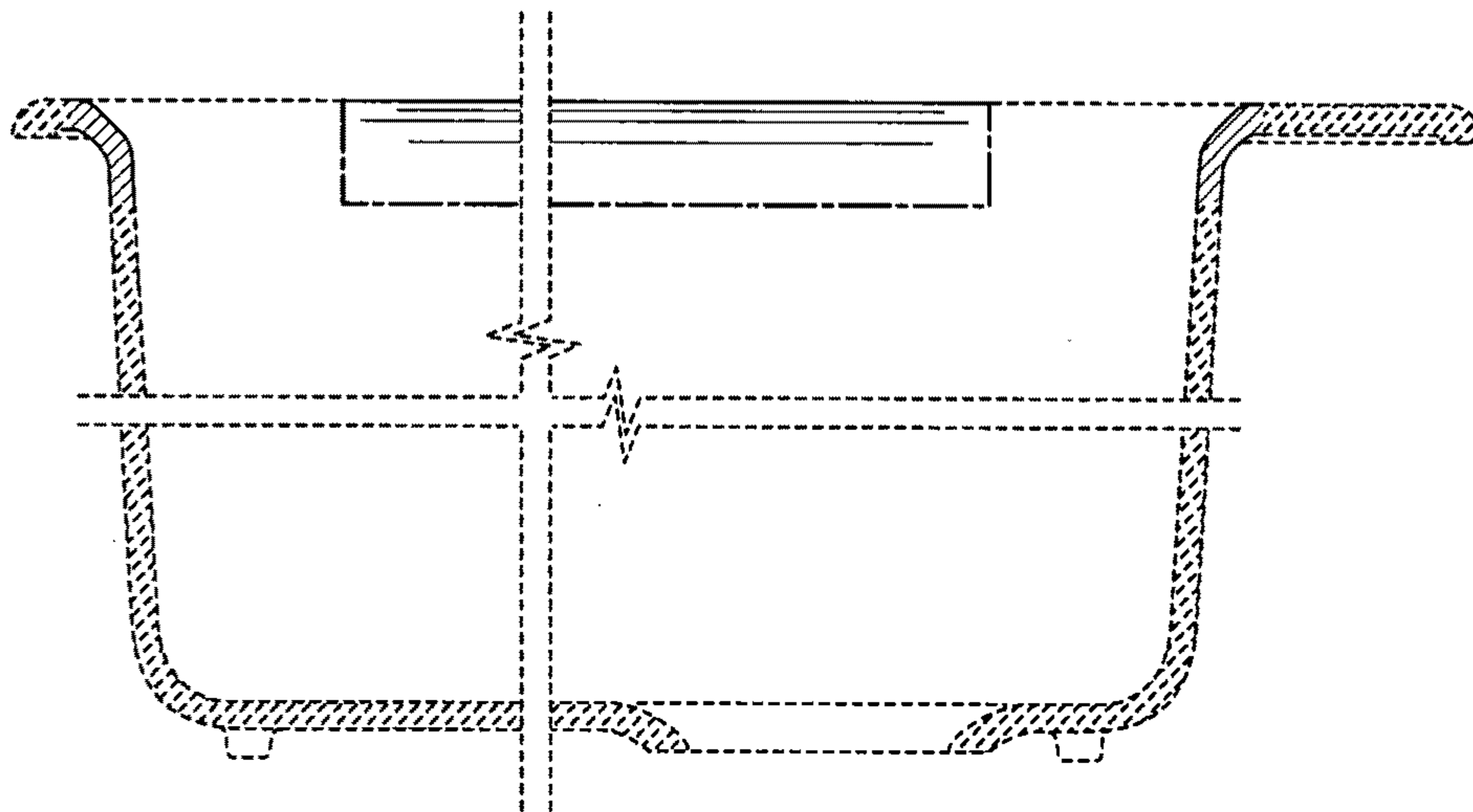


FIG. 8

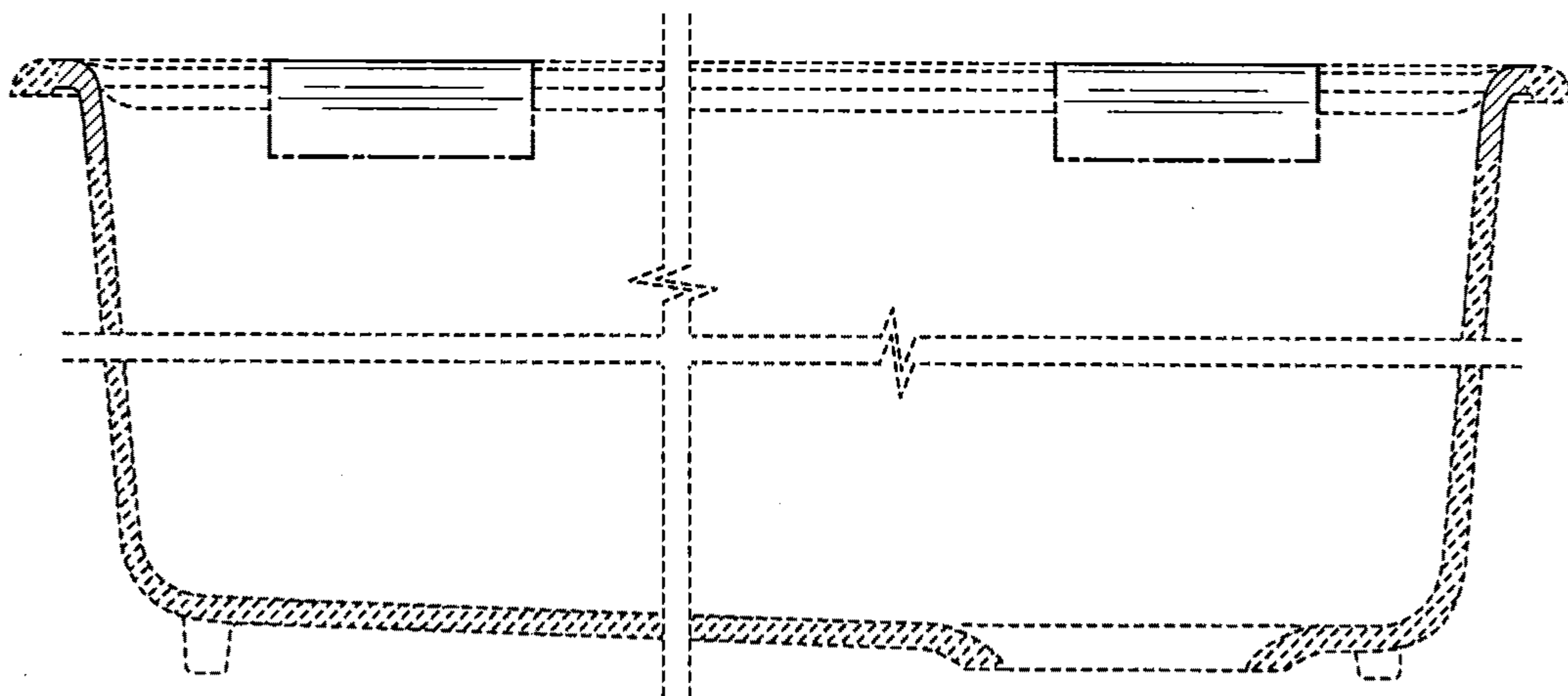


FIG. 9