



US00D692111S

(12) **United States Design Patent**
Wagner et al.

(10) **Patent No.:** **US D692,111 S**
(45) **Date of Patent:** **** Oct. 22, 2013**

(54) **MOUNTING BRACKET FOR WATER FLOSSER**

1,207,380 A 12/1916 Duffy
1,217,254 A 2/1917 Winslow
1,218,895 A 3/1917 Porter

(Continued)

(71) Applicant: **Water Pik, Inc.**, Fort Collins, CO (US)

(72) Inventors: **Robert Daniel Wagner**, Firestone, CO (US); **Hyunchul Kim**, Chicago, IL (US); **Taiwon Choi**, Glenview, IL (US)

FOREIGN PATENT DOCUMENTS

AU 687527 11/1996
CA 659510 3/1963

(Continued)

(73) Assignee: **Water Pik, Inc.**, Fort Collins, CO (US)

(**) Term: **14 Years**

OTHER PUBLICATIONS

(21) Appl. No.: **29/434,313**

“Showermaster 2” advertisement, Showermaster, P.O. Box 5311, Coeur d’Alene, ID 83814, as early as Jan. 1997.

(22) Filed: **Oct. 11, 2012**

Primary Examiner — Wan Laymon

(51) **LOC (9) Cl.** **23-02**

(74) *Attorney, Agent, or Firm* — Dorsey & Whitney LLP

(52) **U.S. Cl.**

USPC **D23/304**; D24/176

(58) **Field of Classification Search**

USPC D24/128, 152, 176–178, 111; D23/223, D23/228, 242, 249, 270–271, 303–304; D6/512, 524; 4/546, 552, 596, 605, 4/615, 695; 137/801; 248/75; 601/162

See application file for complete search history.

(57) **CLAIM**

We claim the ornamental design for a mounting bracket for a water flosser, substantially as shown and described.

DESCRIPTION

FIG. 1 is a front, right isometric view of a mounting bracket for a water flosser.

FIG. 2 is a front elevation view of the mounting bracket of FIG. 1.

FIG. 3 is a rear elevation view of the mounting bracket of FIG. 1.

FIG. 4 is a right side elevation view of the mounting bracket of FIG. 1.

FIG. 5 is a left side elevation view of the mounting bracket of FIG. 1.

FIG. 6 is a top plan view of the mounting bracket of FIG. 1; and,

FIG. 7 is a bottom plan view of the mounting bracket of FIG. 1.

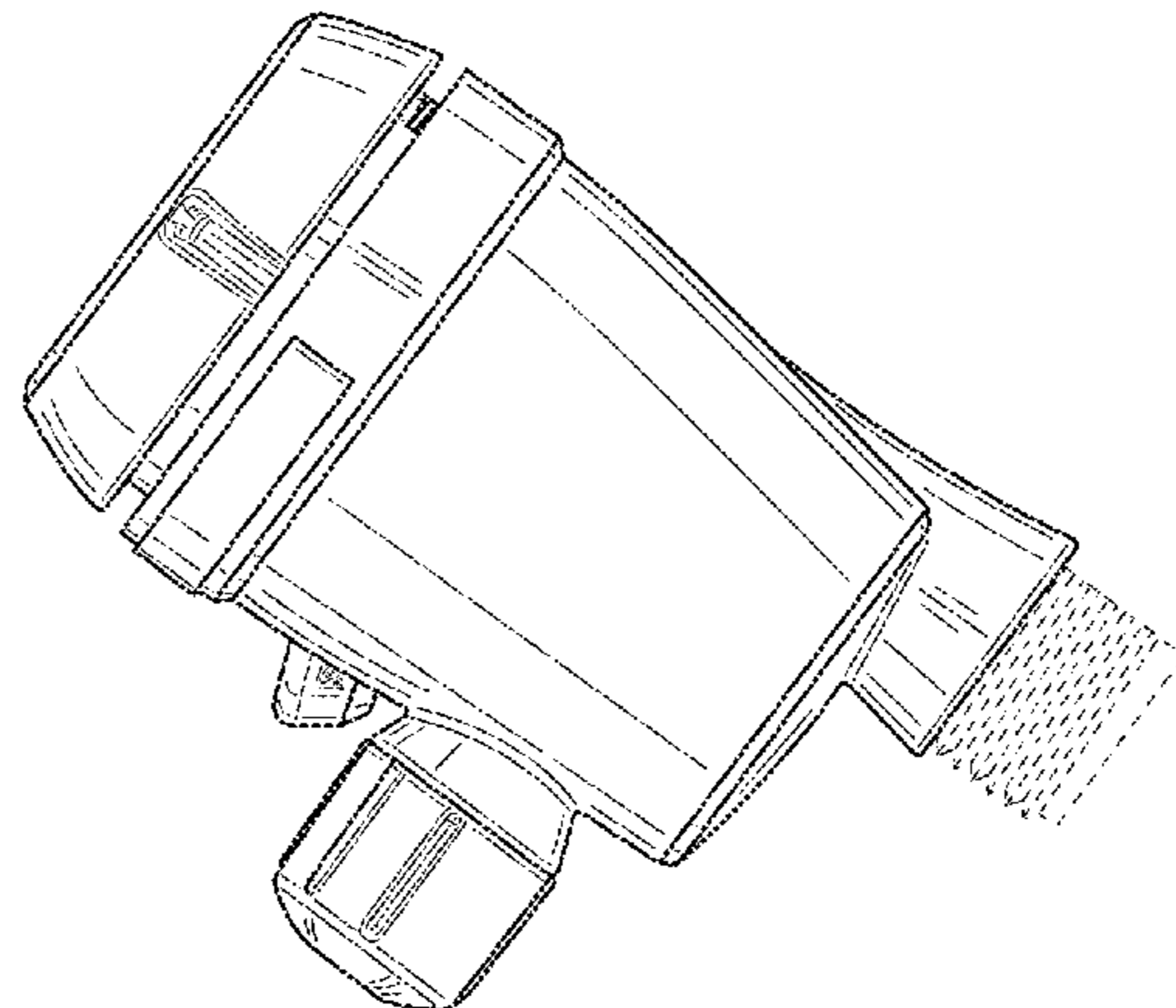
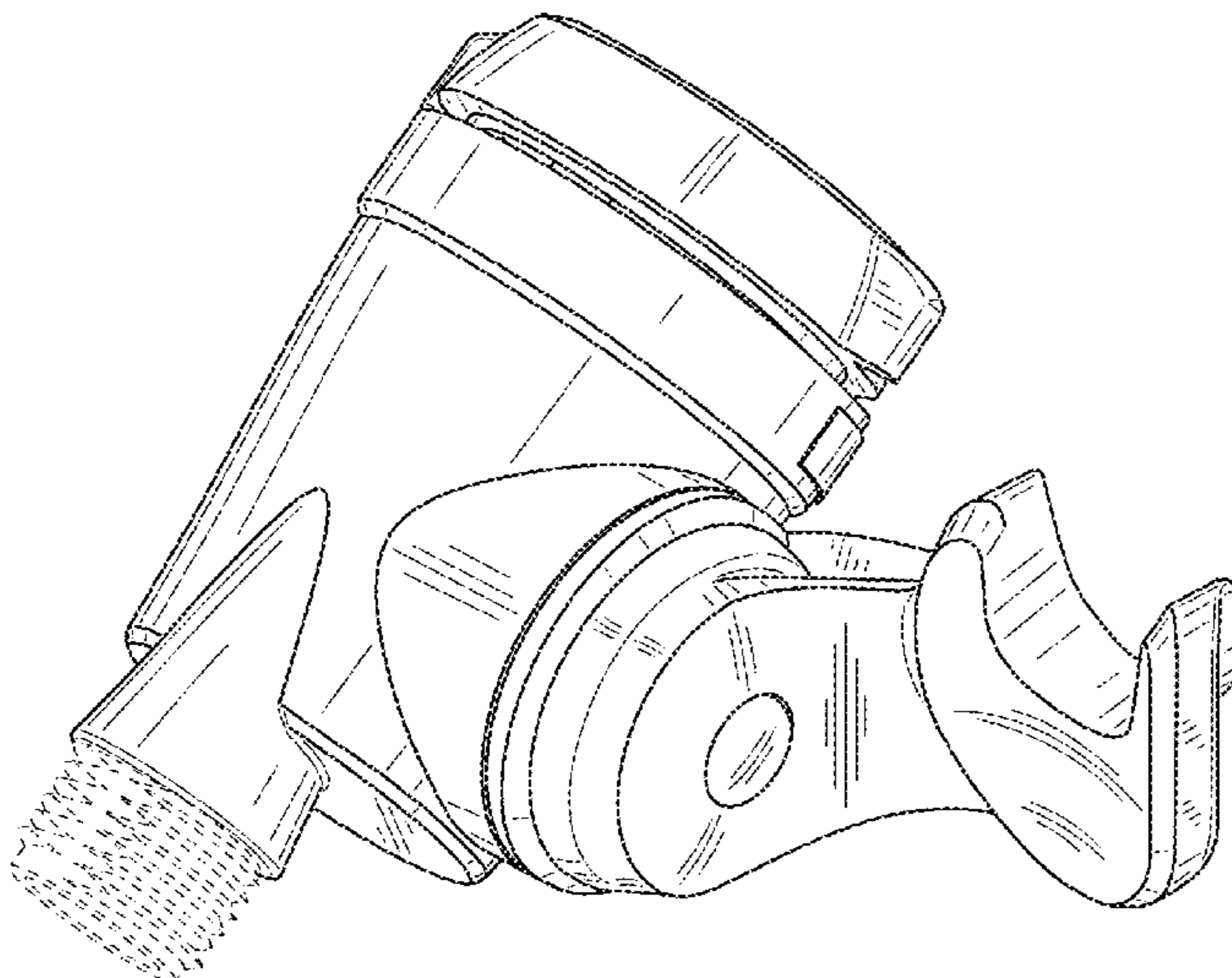
The broken lines, which define the bounds of the claimed design, form no part of the claimed design.

(56) **References Cited**

U.S. PATENT DOCUMENTS

203,094 A	4/1878	Wakeman
428,023 A	5/1890	Schoff
445,250 A	1/1891	Lawless
486,986 A	11/1892	Schinke
566,410 A	8/1896	Schinke
570,405 A	10/1896	Jerguson et al.
800,802 A	10/1905	Franquist
832,523 A	10/1906	Andersson
854,094 A	5/1907	Klein
926,929 A	7/1909	Dusseau
1,001,842 A	8/1911	Greenfield
1,003,037 A	9/1911	Crowe
1,018,143 A	2/1912	Vissering
1,193,302 A	8/1916	Seltner

1 Claim, 7 Drawing Sheets



(56)

References Cited

U.S. PATENT DOCUMENTS

1,255,577 A	2/1918	Berry	3,754,779 A	8/1973	Peress
1,260,181 A	3/1918	Garnero	3,778,610 A	12/1973	Wolf
1,276,117 A	8/1918	Riebe	3,860,271 A	1/1975	Rodgers
1,284,099 A	11/1918	Harris	3,861,719 A	1/1975	Hand
1,327,428 A	1/1920	Gregory	3,869,151 A	3/1975	Fletcher et al.
1,451,800 A	4/1923	Agner	3,910,277 A	10/1975	Zimmer
1,469,528 A	10/1923	Owens	D237,708 S	11/1975	Grohe
1,500,921 A	7/1924	Bramson et al.	3,929,164 A	12/1975	Richter
1,560,789 A	11/1925	Johnson et al.	3,931,992 A	1/1976	Coel
1,597,477 A	8/1926	Panhorst	D240,178 S	6/1976	Johansen
1,692,394 A	11/1928	Sundh	D240,322 S	6/1976	Staub
1,695,263 A	12/1928	Jacques	3,971,074 A	7/1976	Yxfeldt
1,724,147 A	8/1929	Russell	3,979,096 A *	9/1976	Zieger 248/75
1,736,160 A	11/1929	Jonsson	4,005,880 A	2/1977	Anderson et al.
1,754,127 A	4/1930	Srulowitz	4,006,920 A	2/1977	Sadler et al.
1,758,115 A	5/1930	Kelly	4,023,782 A	5/1977	Eifer
1,778,658 A	10/1930	Baker	4,043,337 A *	8/1977	Baugher 601/162
1,821,274 A	9/1931	Plummer	4,045,054 A	8/1977	Arnold
1,906,575 A	5/1933	Goeriz	D249,356 S	9/1978	Nagy
2,011,446 A	8/1935	Judell	4,162,801 A	7/1979	Kresky et al.
2,024,930 A	8/1935	Judell	4,174,822 A	11/1979	Larsson
2,044,445 A	6/1936	Price et al.	4,243,253 A	1/1981	Rogers, Jr.
2,117,152 A	5/1938	Crosti	4,258,414 A	3/1981	Sokol
2,196,783 A	4/1940	Shook	4,274,400 A	6/1981	Baus
2,197,667 A	4/1940	Shook	4,282,612 A	8/1981	King
2,268,263 A	5/1941	Newell et al.	D262,353 S	12/1981	Kitson
2,342,757 A	2/1944	Roser	4,358,056 A	11/1982	Greenhut et al.
D147,258 S	8/1947	Becker	D268,442 S	3/1983	Darmon
D152,584 S	2/1949	Becker	4,383,554 A	5/1983	Merriman
2,467,954 A	4/1949	Becker	4,396,797 A	8/1983	Sakuragi et al.
2,472,030 A	5/1949	Thulin	4,425,965 A	1/1984	Bayh, III et al.
2,546,348 A	3/1951	Schuman	4,465,308 A	8/1984	Martini
2,581,129 A	1/1952	Muldoon	4,479,610 A	10/1984	Etheridge et al.
D166,073 S	3/1952	Dunkelberger	4,495,550 A	1/1985	Visciano
2,648,762 A	8/1953	Dunkelberger	4,540,202 A	9/1985	Amphoux et al.
2,664,271 A	12/1953	Arutunoff	4,545,081 A	10/1985	Nestor et al.
2,676,806 A	4/1954	Bachman	4,545,535 A	10/1985	Knapp
2,679,575 A	5/1954	Haberstump	4,553,775 A	11/1985	Halling
2,680,358 A	6/1954	Zublin	D281,820 S	12/1985	Oba et al.
2,721,089 A	10/1955	Shames	4,568,216 A	2/1986	Mizusawa et al.
2,759,765 A	8/1956	Pawley	4,571,003 A	2/1986	Roling et al.
2,776,168 A	1/1957	Schweda	D283,645 S	4/1986	Tanaka
2,825,135 A	3/1958	Tilden	4,643,463 A	2/1987	Halling et al.
2,873,999 A	2/1959	Webb	4,645,244 A	2/1987	Curtis
2,931,672 A	4/1960	Merritt et al.	4,651,770 A	3/1987	Denham et al.
2,966,311 A	12/1960	Davis	4,652,025 A	3/1987	Conroy, Sr.
D190,295 S	5/1961	Becker	4,669,757 A	6/1987	Bartholomew
D192,935 S	5/1962	Becker	4,683,917 A	8/1987	Bartholomew
3,032,357 A	5/1962	Shames et al.	4,707,770 A	11/1987	Van Duyn
3,034,809 A	5/1962	Greenberg	4,717,180 A	1/1988	Roman
3,064,998 A	11/1962	Syverson	4,722,029 A	1/1988	Ahle et al.
3,103,723 A	9/1963	Becker	4,733,337 A	3/1988	Bieberstein
3,111,277 A	11/1963	Grimsley	4,739,801 A	4/1988	Kimura et al.
3,121,235 A	2/1964	Gellmann	4,752,975 A	6/1988	Tiernan
3,143,857 A	8/1964	Eaton	4,790,294 A	12/1988	Allred, III et al.
3,196,463 A	7/1965	Farneth	4,809,369 A	3/1989	Bowden
3,231,200 A	1/1966	Heald	4,839,599 A	6/1989	Fischer
3,266,059 A	8/1966	Stelle	4,842,059 A	6/1989	Tomek
3,306,634 A	2/1967	Groves et al.	D302,325 S	7/1989	Charet et al.
3,329,967 A	7/1967	Martinez et al.	4,850,616 A	7/1989	Pava
3,389,925 A	6/1968	Gottschald	4,856,822 A	8/1989	Parker
3,393,311 A	7/1968	Dahl	4,863,328 A	9/1989	Malek
3,393,312 A	7/1968	Dahl	4,865,362 A	9/1989	Holden
3,402,893 A	9/1968	Hindman	4,871,196 A	10/1989	Kingsford
3,492,029 A	1/1970	French et al.	D306,351 S	2/1990	Charet et al.
3,546,961 A	12/1970	Marton	4,901,765 A	2/1990	Poe
3,565,116 A	2/1971	Gabin	4,901,927 A	2/1990	Valdivia
3,584,822 A	6/1971	Oram	4,903,178 A	2/1990	Englot et al.
3,612,577 A	10/1971	Pope	4,907,137 A	3/1990	Schladitz et al.
3,641,333 A	2/1972	Gendron	4,946,202 A	8/1990	Perricone
3,663,044 A	5/1972	Contreras et al.	4,951,329 A	8/1990	Shaw
3,669,362 A	6/1972	Meyerhofer et al.	4,959,758 A	9/1990	Filosa et al.
3,669,470 A	6/1972	Deurloo	4,964,573 A	10/1990	Lipski
3,685,745 A	8/1972	Peschcke-Koedt	4,972,048 A	11/1990	Martin
3,731,084 A	5/1973	Trevorrow	4,975,123 A	12/1990	Gray
			D314,246 S	1/1991	Bache
			5,004,158 A	4/1991	Halem et al.
			5,022,103 A	6/1991	Faist
			5,032,015 A	7/1991	Christianson

(56)

References Cited

U.S. PATENT DOCUMENTS

5,033,528	A	7/1991	Volcani		D370,542	S	6/1996	Santarsiero
5,046,764	A	9/1991	Kimura et al.		D370,735	S	6/1996	DeBlois
D321,062	S	10/1991	Bonbright		D370,987	S	6/1996	Santarsiero
D322,681	S	12/1991	Yuen		D370,988	S	6/1996	Santarsiero
5,071,070	A	12/1991	Hardy		D371,448	S	7/1996	Santarsiero
5,086,878	A	2/1992	Swift		D371,618	S	7/1996	Nolan
D325,769	S	4/1992	Haug et al.		D371,619	S	7/1996	Szymanski
5,103,384	A	4/1992	Drohan		D371,856	S	7/1996	Carbone
5,107,406	A	4/1992	Sekido et al.		D372,318	S	7/1996	Szymanski
5,134,251	A	7/1992	Martin		D372,319	S	7/1996	Carbone
5,135,173	A	8/1992	Cho		5,531,625	A	7/1996	Zhong
D329,504	S	9/1992	Yuen		D372,548	S	8/1996	Carbone
5,143,123	A	9/1992	Richards et al.		D372,998	S	8/1996	Carbone
5,148,556	A	9/1992	Bottoms, Jr. et al.		D373,210	S	8/1996	Santarsiero
5,153,976	A	10/1992	Benchaar et al.		D373,434	S	9/1996	Nolan
5,154,483	A	10/1992	Zeller		D373,435	S	9/1996	Nolan
5,163,752	A	11/1992	Copeland et al.		D373,645	S	9/1996	Johnstone et al.
5,197,767	A	3/1993	Kimura et al.		D373,646	S	9/1996	Szymanski et al.
5,215,338	A	6/1993	Kimura et al.		D373,647	S	9/1996	Kaiser
5,218,956	A	* 6/1993	Handler et al. 601/162		D373,648	S	9/1996	Kaiser
5,220,697	A	6/1993	Birchfield		D373,649	S	9/1996	Carbone
D337,839	S	7/1993	Zeller		D373,651	S	9/1996	Szymanski
D338,542	S	8/1993	Yuen		D373,652	S	9/1996	Kaiser
5,254,809	A	10/1993	Martin		D374,297	S	10/1996	Kaiser
D341,191	S	* 11/1993	Klose D23/223		D374,298	S	10/1996	Swyst
D341,220	S	11/1993	Eagan		D374,299	S	10/1996	Carbone
5,263,646	A	11/1993	McCauley		D374,493	S	10/1996	Szymanski
5,265,833	A	11/1993	Heimann et al.		D374,494	S	10/1996	Santarsiero
5,268,826	A	12/1993	Greene		D374,732	S	10/1996	Kaiser
5,276,596	A	1/1994	Krenzel		D374,733	S	10/1996	Santarsiero
5,286,071	A	2/1994	Storage		5,567,115	A	10/1996	Carbone
5,288,110	A	2/1994	Allread		D376,217	S	12/1996	Kaiser
D345,811	S	4/1994	Van Deursen et al.		D376,860	S	12/1996	Santarsiero
5,333,787	A	8/1994	Smith et al.		D376,861	S	12/1996	Johnstone et al.
5,333,789	A	8/1994	Garneys		D376,862	S	12/1996	Carbone
5,340,165	A	8/1994	Sheppard		5,624,074	A	4/1997	Parisi
5,349,987	A	9/1994	Shieh		D379,404	S	5/1997	Spelts
5,356,076	A	10/1994	Bishop		D381,405	S	7/1997	Waidele et al.
5,368,235	A	11/1994	Drozdoff et al.		5,660,079	A	8/1997	Friedrich
5,369,556	A	11/1994	Zeller		5,667,146	A	9/1997	Pimentel et al.
5,370,427	A	12/1994	Hoelle et al.		5,692,252	A	12/1997	Zwezdaryk
5,385,500	A	1/1995	Schmidt		5,749,602	A	5/1998	Delaney et al.
D356,626	S	3/1995	Wang		5,778,939	A	7/1998	Hok-Yin
5,398,977	A	3/1995	Berger et al.		D398,370	S	9/1998	Purdy
D361,399	S	8/1995	Carbone et al.		D401,680	S	11/1998	Tiernan
5,449,206	A	9/1995	Lockwood		5,865,378	A	2/1999	Hollinshead et al.
D363,360	S	10/1995	Santarsiero		D406,636	S	3/1999	Male et al.
5,468,057	A	11/1995	Megerle et al.		D412,563	S	* 8/1999	Milrud D23/304
D364,935	S	12/1995	deBlois		D413,157	S	8/1999	Ratzlaff
D365,625	S	12/1995	Bova		5,997,047	A	12/1999	Pimentel et al.
D365,646	S	12/1995	deBlois		6,042,155	A	3/2000	Lockwood
D366,707	S	1/1996	Kaiser		6,095,801	A	8/2000	Spiewak
D366,708	S	1/1996	Santarsiero		6,164,569	A	12/2000	Hollinshead et al.
D366,709	S	1/1996	Szymanski		6,164,570	A	12/2000	Smeltzer
D366,710	S	1/1996	Szymanski		6,199,729	B1	3/2001	Drzymkowski
5,481,765	A	1/1996	Wang		D440,641	S	4/2001	Hollinshead et al.
D366,948	S	2/1996	Carbone		6,227,456	B1	5/2001	Colman
D367,333	S	2/1996	Swyst		6,336,764	B1	1/2002	Liu
D367,934	S	3/1996	Carbone		D457,227	S	* 5/2002	Gottwald D23/304
D368,146	S	3/1996	Carbone		6,382,531	B1	5/2002	Tracy
D368,317	S	3/1996	Swyst		6,425,149	B1	7/2002	Wang
D368,539	S	4/1996	Carbone et al.		6,450,425	B1	9/2002	Chen
D368,540	S	4/1996	Santarsiero		D465,553	S	11/2002	Singtoroj
D368,541	S	4/1996	Kaiser et al.		6,474,621	B1	* 11/2002	Vogel 4/605
D368,542	S	4/1996	deBlois et al.		6,511,001	B1	1/2003	Huang
D369,873	S	5/1996	deBlois et al.		D470,219	S	2/2003	Schweitzer
D369,874	S	5/1996	Santarsiero		6,537,455	B2	3/2003	Farley
D369,875	S	5/1996	Carbone		6,626,210	B2	9/2003	Luetgen et al.
D370,277	S	5/1996	Kaiser		6,629,651	B1	10/2003	Male et al.
D370,278	S	5/1996	Nolan		6,643,862	B2	11/2003	Aitken
D370,279	S	5/1996	deBlois		6,659,117	B2	12/2003	Gilmore
D370,280	S	5/1996	Kaiser		6,671,896	B2	* 1/2004	Tse 4/570
D370,281	S	5/1996	Johnstone et al.		6,701,953	B2	3/2004	Agosta
5,517,392	A	5/1996	Rouso et al.		D496,446	S	9/2004	Zwezdaryk
5,521,803	A	5/1996	Eckert et al.		6,799,335	B1	* 10/2004	Zadro 4/605
					D502,761	S	3/2005	Zieger et al.
					6,863,227	B2	3/2005	Wollenberg et al.
					6,926,212	B1	8/2005	Glass
					D517,669	S	3/2006	Zieger et al.

(56)

References Cited

U.S. PATENT DOCUMENTS

7,066,411	B2	6/2006	Male et al.
D529,151	S	9/2006	Macan et al.
D531,259	S	10/2006	Hseih
7,124,452	B1 *	10/2006	Bauza 4/605
7,147,172	B2	12/2006	Darling, III et al.
7,201,331	B2	4/2007	Bertrand
D544,094	S *	6/2007	Kustasz D24/111
7,299,510	B2	11/2007	Tsai
7,533,906	B2	5/2009	Luetzgen et al.
D618,766	S	6/2010	Whitaker et al.
7,814,585	B1 *	10/2010	Reich 4/605
D627,866	S *	11/2010	Hanna D23/303
7,905,429	B2	3/2011	Somerfield et al.
7,966,677	B2 *	6/2011	Miller et al. 4/570
8,024,822	B2	9/2011	Macan et al.
8,070,076	B2	12/2011	Erickson et al.
2002/0033424	A1	3/2002	Rivera et al.
2002/0070292	A1	6/2002	Hazenfield
2004/0163169	A1	8/2004	Kollmann et al.
2005/0283904	A1	12/2005	Macan et al.
2006/0151632	A1	7/2006	Larsen
2006/0208111	A1	9/2006	Tracy et al.
2006/0231648	A1	10/2006	Male et al.
2007/0251590	A1	11/2007	Weinstein
2008/0083844	A1	4/2008	Leber et al.
2008/0271240	A1	11/2008	Leber et al.
2011/0139900	A1	6/2011	Somerfield et al.

FOREIGN PATENT DOCUMENTS

DE	854100	10/1952
DE	2360534	6/1974
DE	2806093	8/1979
DE	3246327	12/1982
DE	4034695	5/1991
DE	4142198	4/1993
DE	19608085	3/1998
EP	0167063	6/1985
EP	0683354	11/1995
EP	0687851	12/1995
EP	0695907	2/1996
EP	0721082	7/1996
FR	538538	6/1922
FR	1098836	8/1955
FR	2596492	10/1987
FR	2695452	3/1994
GB	3314	0/1914
GB	10086	0/1893
GB	129812	7/1919
GB	204600	10/1923
GB	634483	3/1950
GB	971866	10/1964
GB	2156932	10/1985
GB	2298595	9/1996
IT	327400	7/1936
IT	350359	7/1937
JP	S63-181459	11/1988
JP	H2-78660	6/1990
NL	8902957	6/1991
WO	WO93/12894	7/1993
WO	WO93/25839	12/1993
WO	WO96/23999	8/1996
WO	WO98/30336	7/1998

CA	2150317	11/1995
DE	352813	5/1922

* cited by examiner

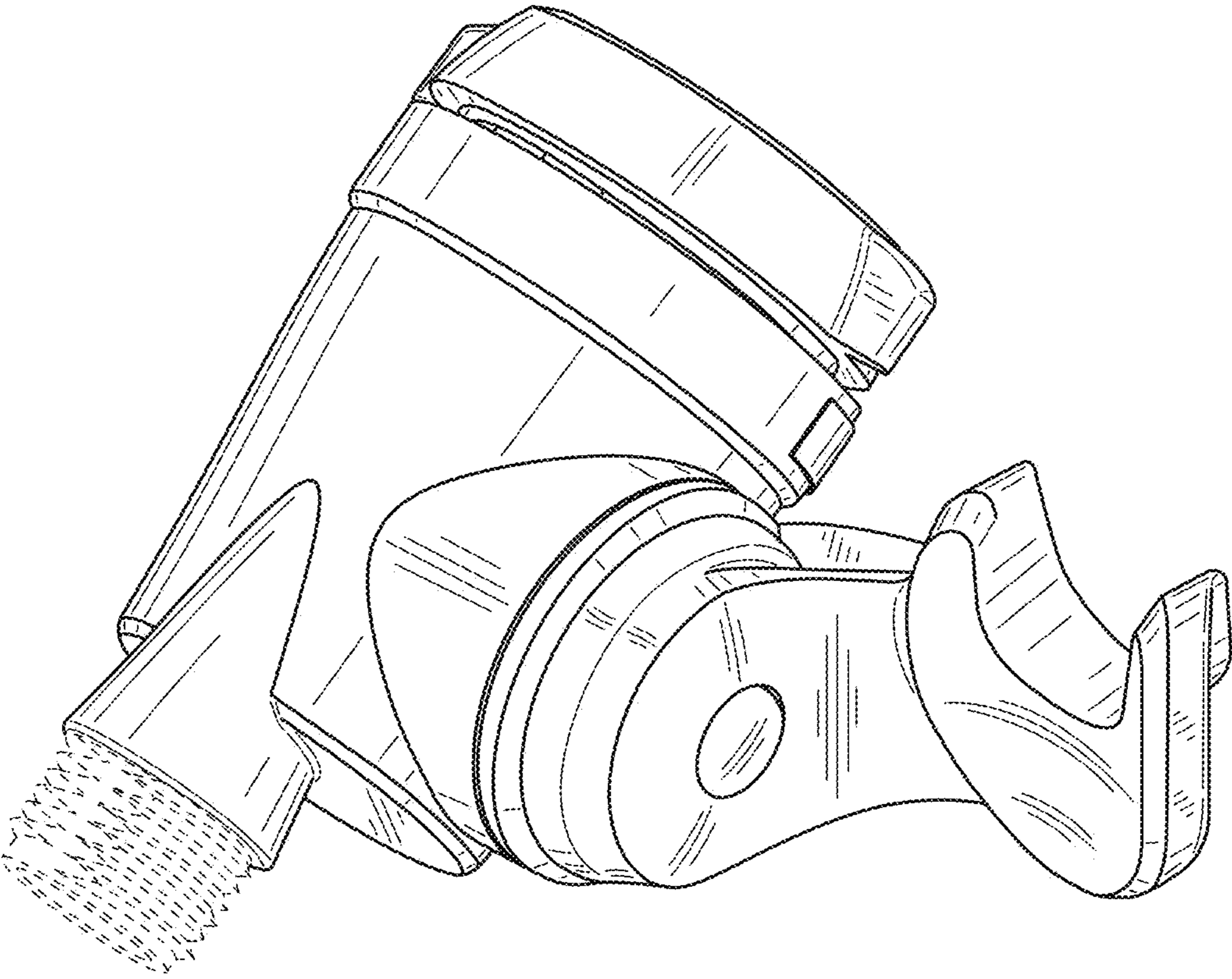


FIG. 1

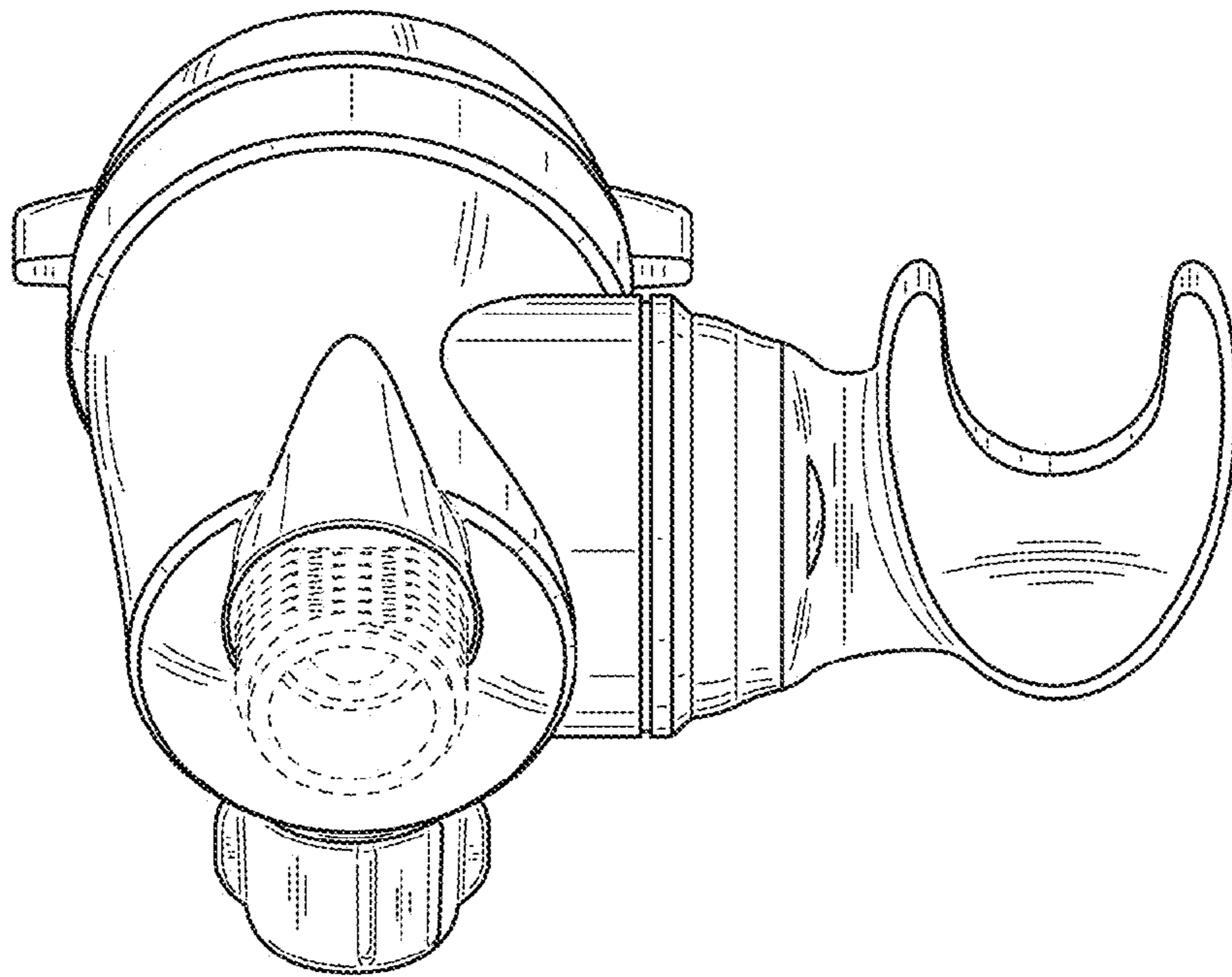


FIG.2

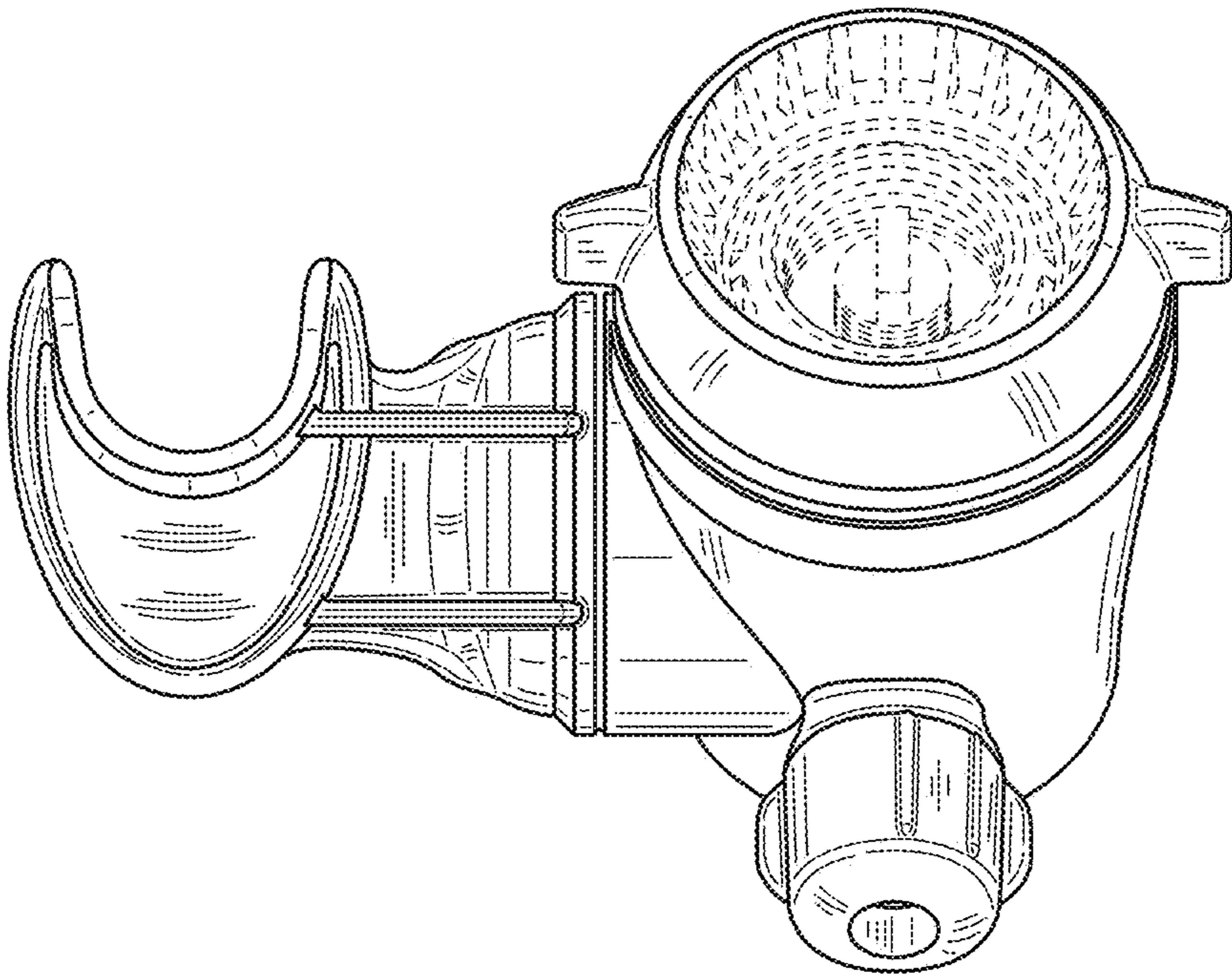


FIG.3

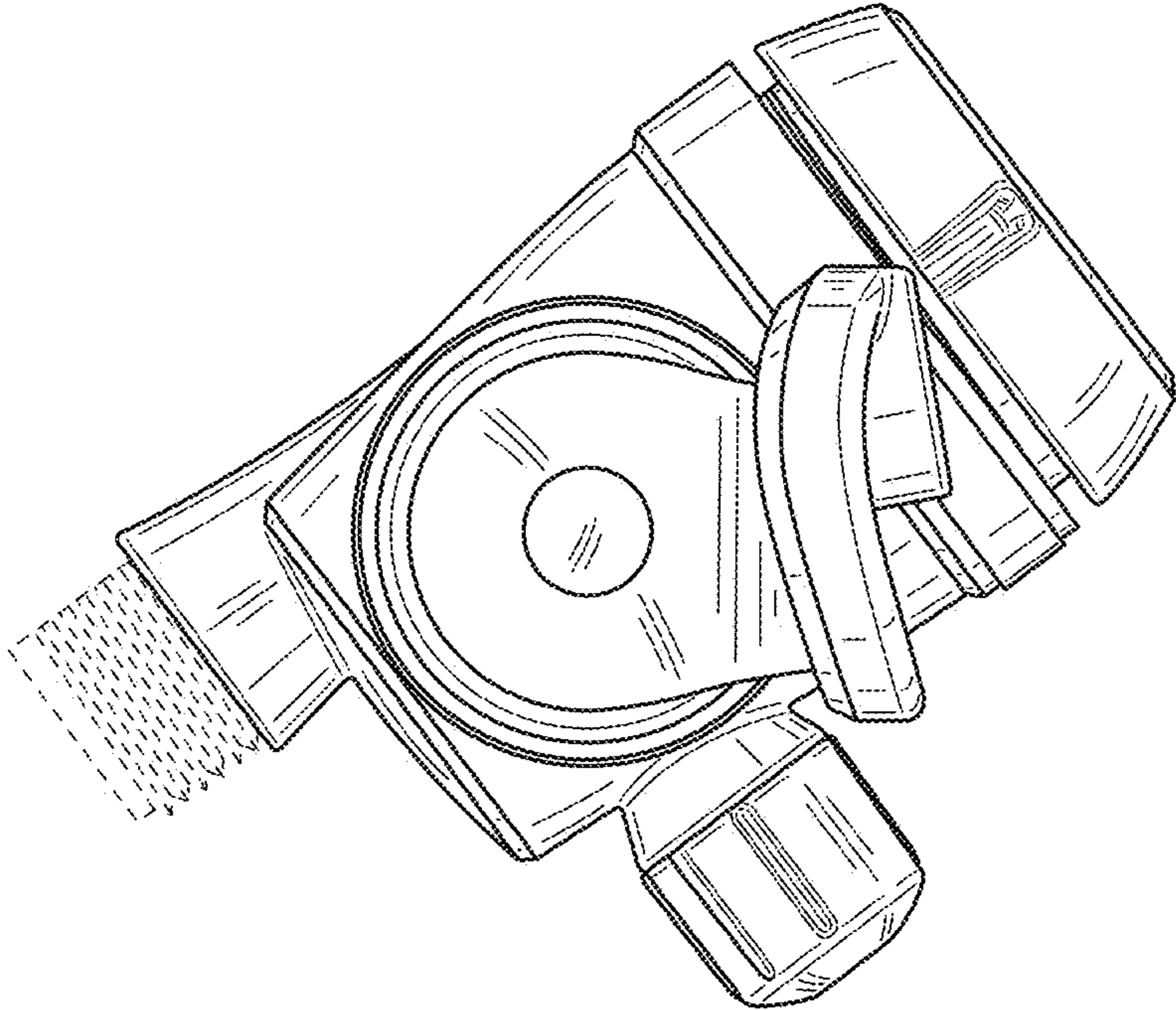


FIG.4

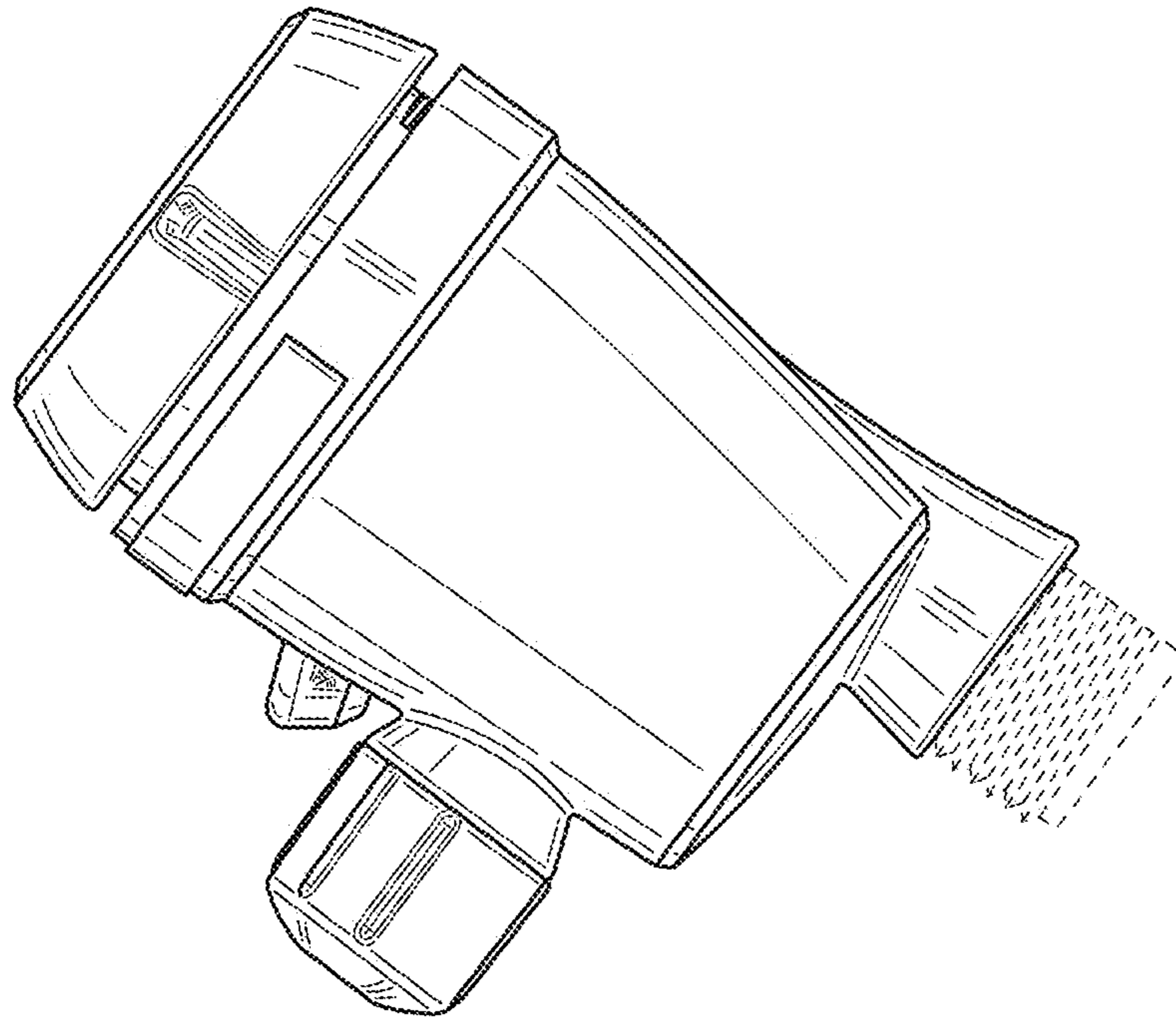


FIG.5

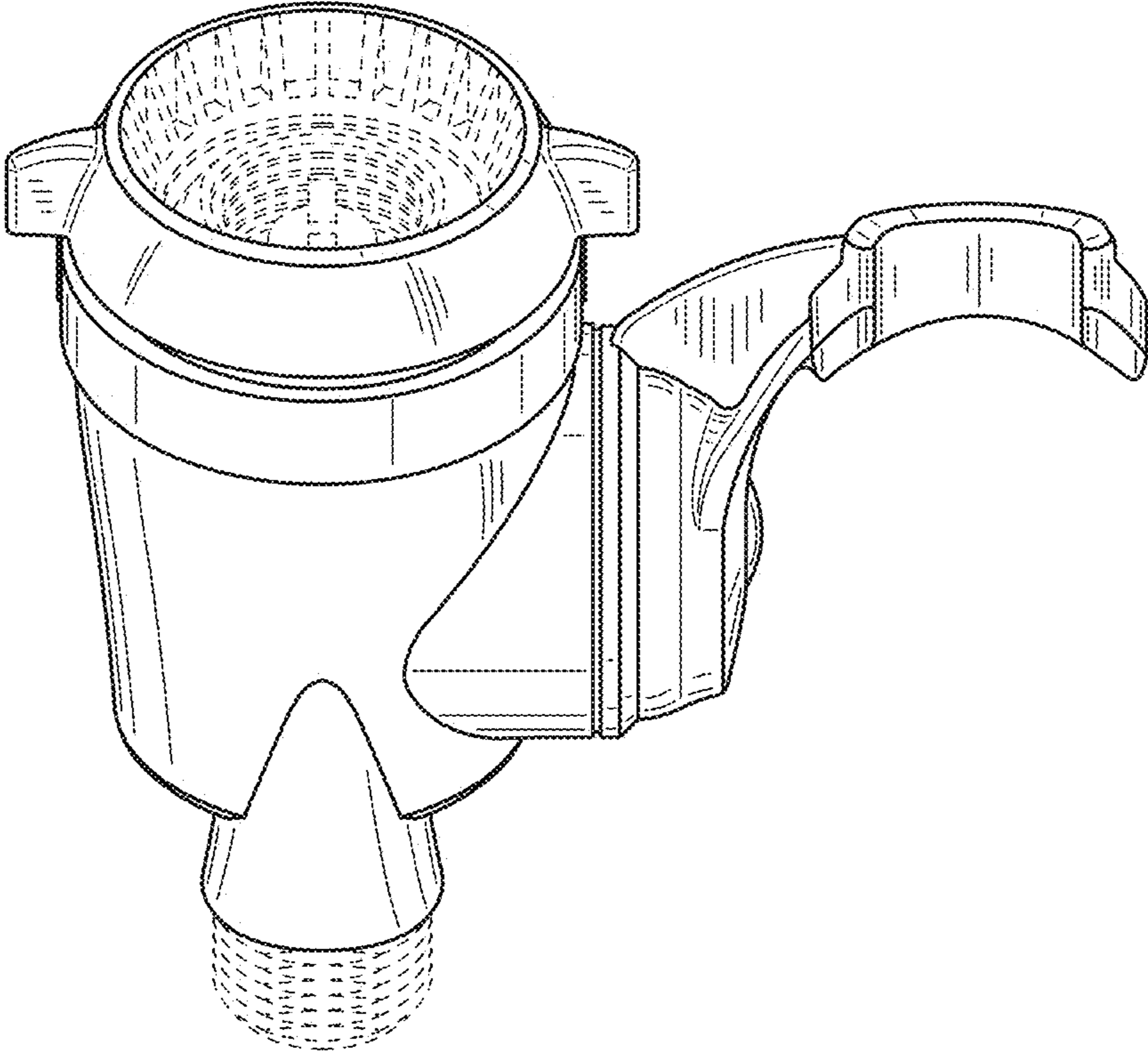


FIG.6

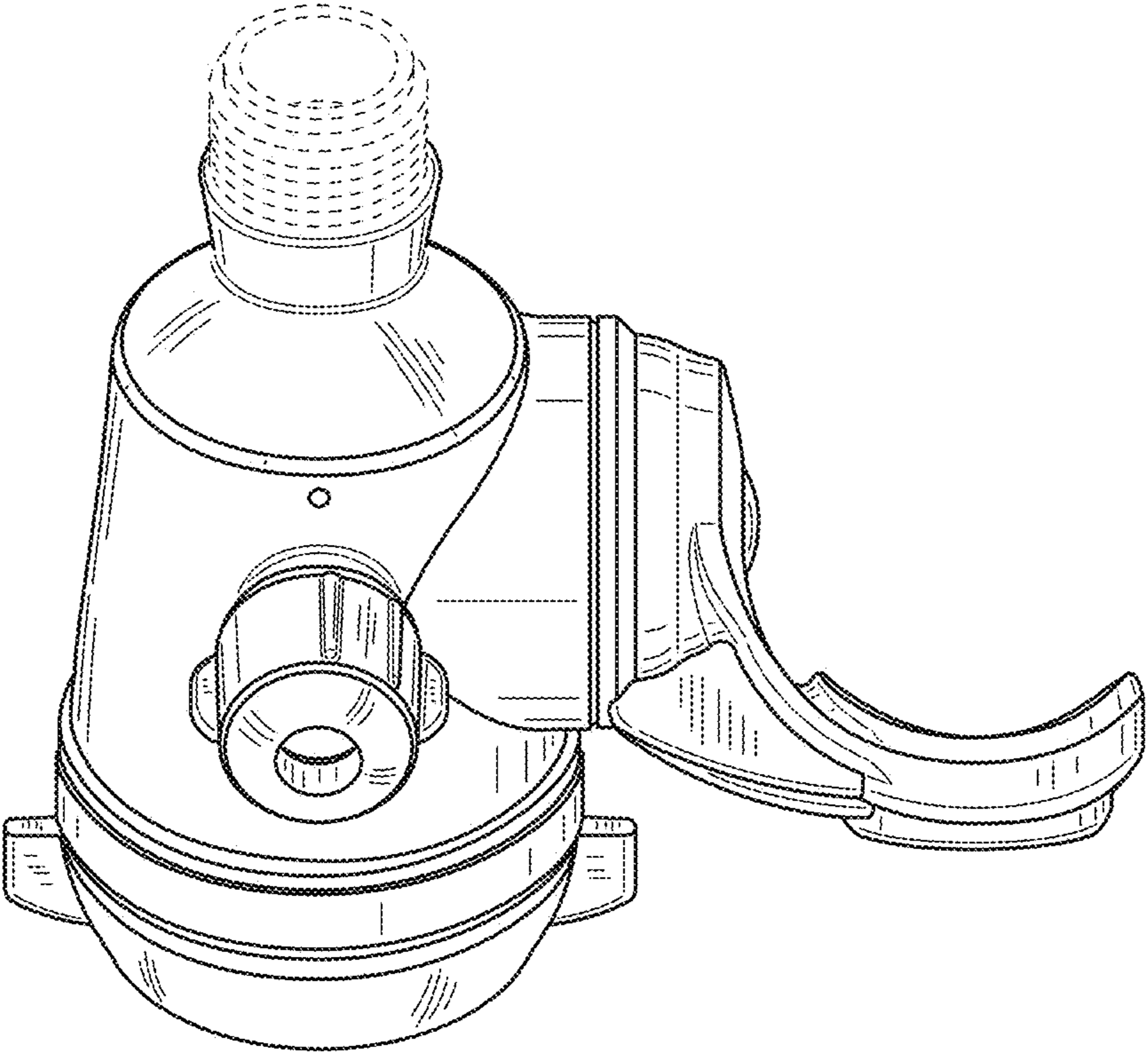


FIG.7