



US00D692110S

(12) **United States Design Patent**  
**Chen**

(10) **Patent No.:** **US D692,110 S**  
(45) **Date of Patent:** **\*\* Oct. 22, 2013**

(54) **SENSOR ASSEMBLY FOR TOUCH-FREE FAUCET**

(71) Applicant: **Chung-Chia Chen**, La Habra Heights, CA (US)

(72) Inventor: **Chung-Chia Chen**, La Habra Heights, CA (US)

(73) Assignee: **Chung-Chia Chen**, La Habra Heights, CA (US)

(\*\*) Term: **14 Years**

(21) Appl. No.: **29/447,324**

(22) Filed: **Mar. 1, 2013**

**Related U.S. Application Data**

(63) Continuation of application No. 29/402,668, filed on Sep. 26, 2011, now Pat. No. Des. 677,366.

(51) **LOC (9) Cl.** ..... **23-01**

(52) **U.S. Cl.**  
USPC ..... **D23/255**

(58) **Field of Classification Search**  
USPC ..... D23/238, 255, 257; 4/675-678;  
137/801

See application file for complete search history.

(56) **References Cited**

**U.S. PATENT DOCUMENTS**

6,019,130	A	2/2000	Rump	
6,513,787	B1	2/2003	Jeromson et al.	
D534,622	S *	1/2007	Chu et al. ....	D23/238
D610,653	S *	2/2010	Schoenherr et al. ....	D23/238
2009/0056011	A1	3/2009	Wolf et al.	

**OTHER PUBLICATIONS**

U.S. Appl. No. 29/447,315, Sensor Assembly for Touch-Free Faucet, filed Mar. 1, 2013.

U.S. Appl. No. 29/447,315, Chung-Chia Chen.

\* cited by examiner

*Primary Examiner* — Robert Delehanty

(74) *Attorney, Agent, or Firm* — Knobbe Martens Olson & Bear, LLP

(57) **CLAIM**

I claim the ornamental design for a sensor assembly for touch-free faucet, as shown and described.

**DESCRIPTION**

FIG. 1 is a perspective view of a first embodiment of a sensor assembly for touch-free faucet;

FIG. 2 is a front elevation view of the first embodiment of the sensor assembly for touch-free faucet;

FIG. 3 is a rear elevation view of the first embodiment of the sensor assembly for touch-free faucet;

FIG. 4 is a left elevation view of the first embodiment of the sensor assembly for touch-free faucet;

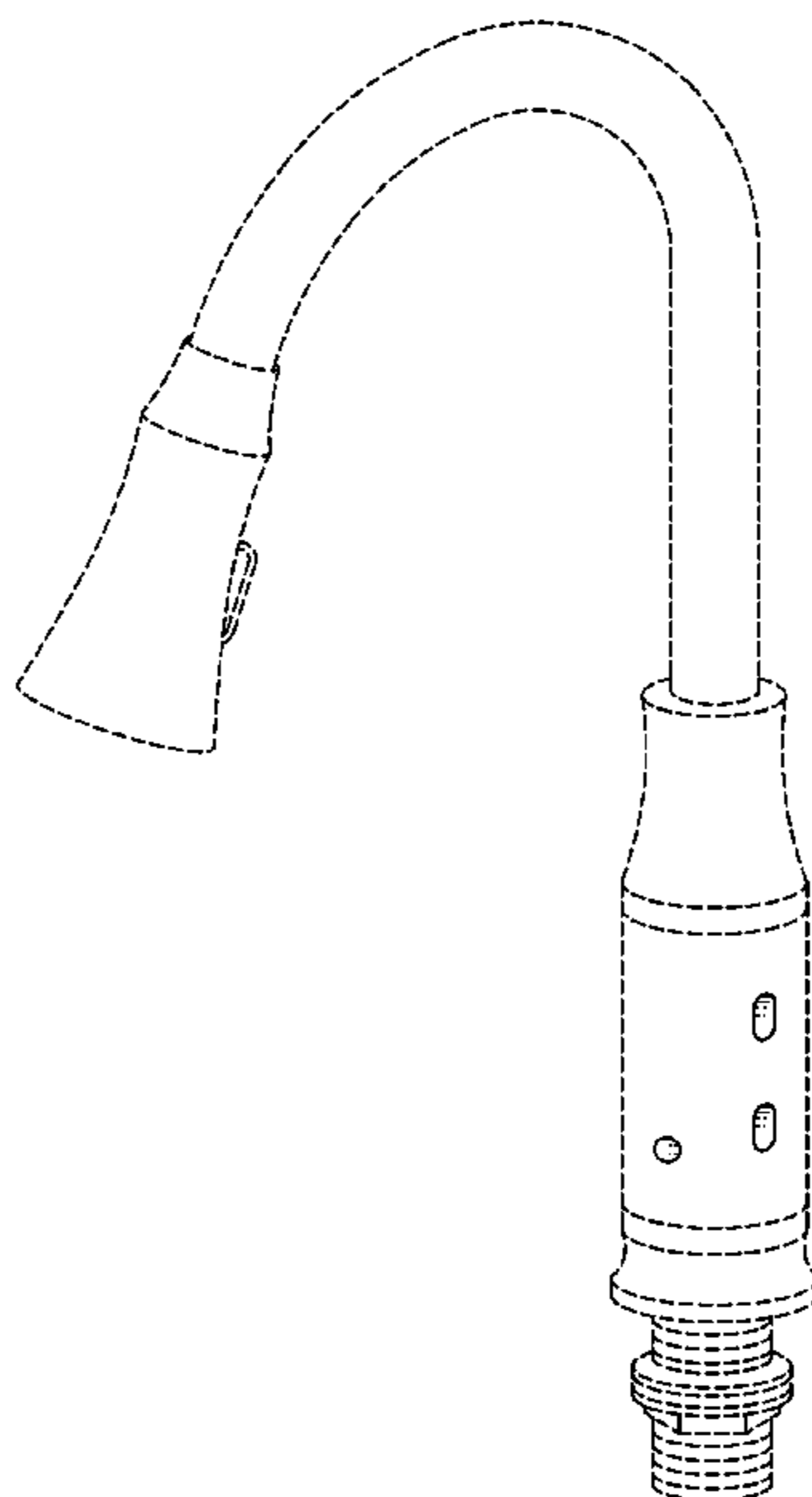
FIG. 5 is a right elevation view of the first embodiment of the sensor assembly for touch-free faucet;

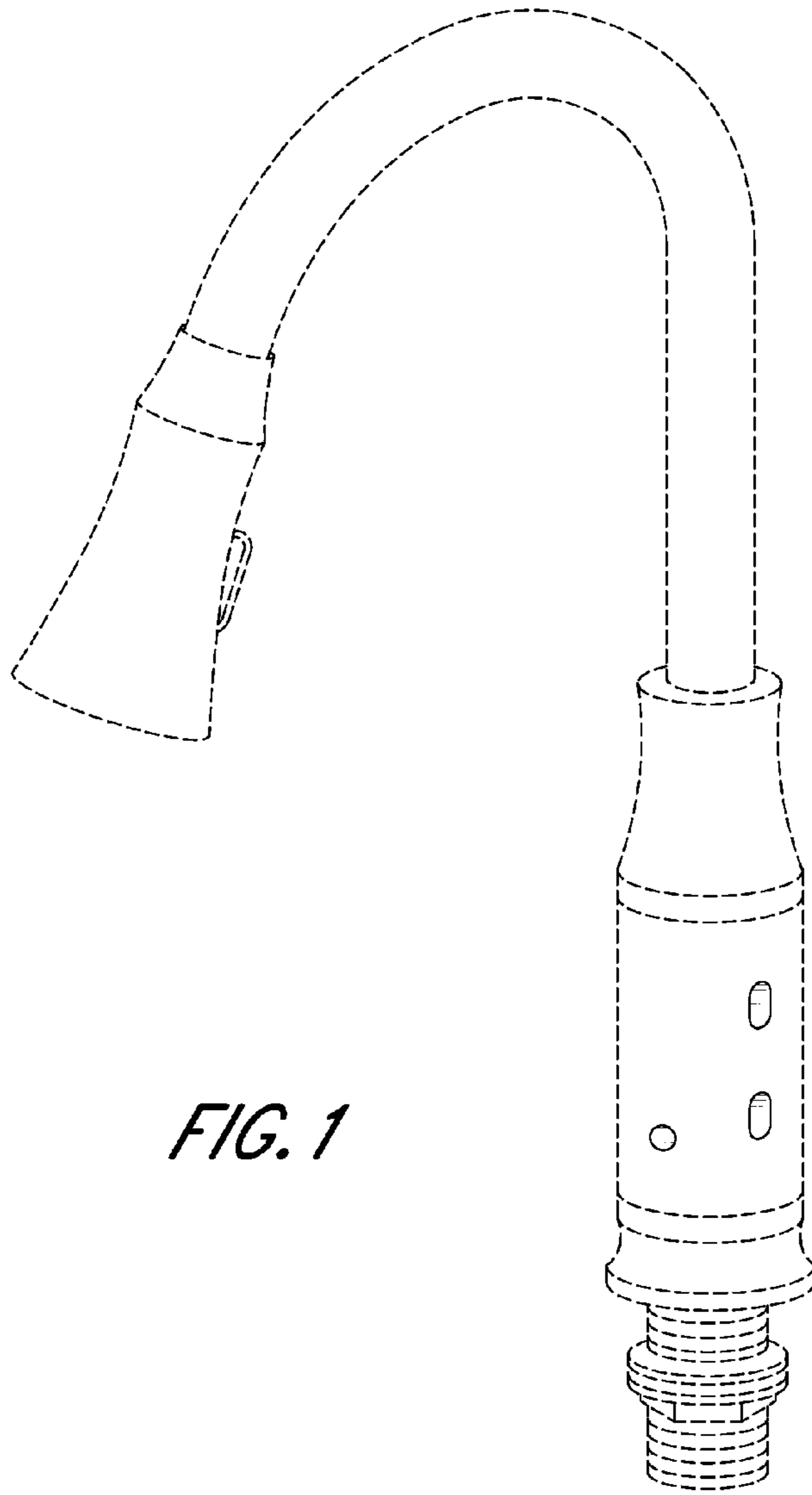
FIG. 6 is a top plan view of the first embodiment of the sensor assembly for touch-free faucet; and,

FIG. 7 is a bottom plan view of the first embodiment of the sensor assembly for touch-free faucet.

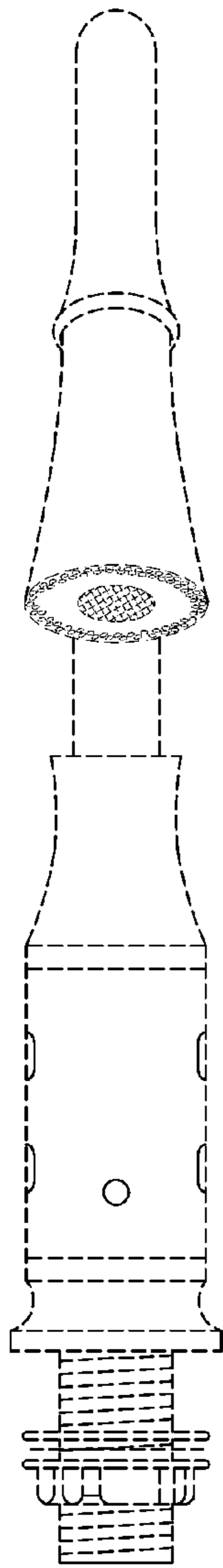
The broken lines showing a portion of the faucet are included for the purpose of illustrating a portion of the faucet that forms no part of the claimed design.

**1 Claim, 4 Drawing Sheets**

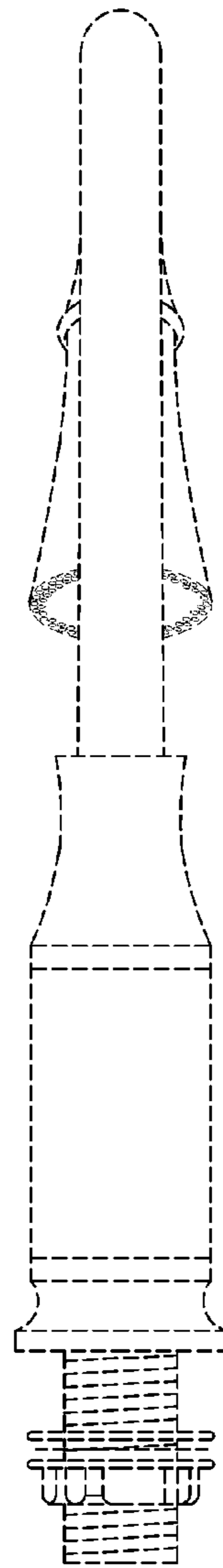




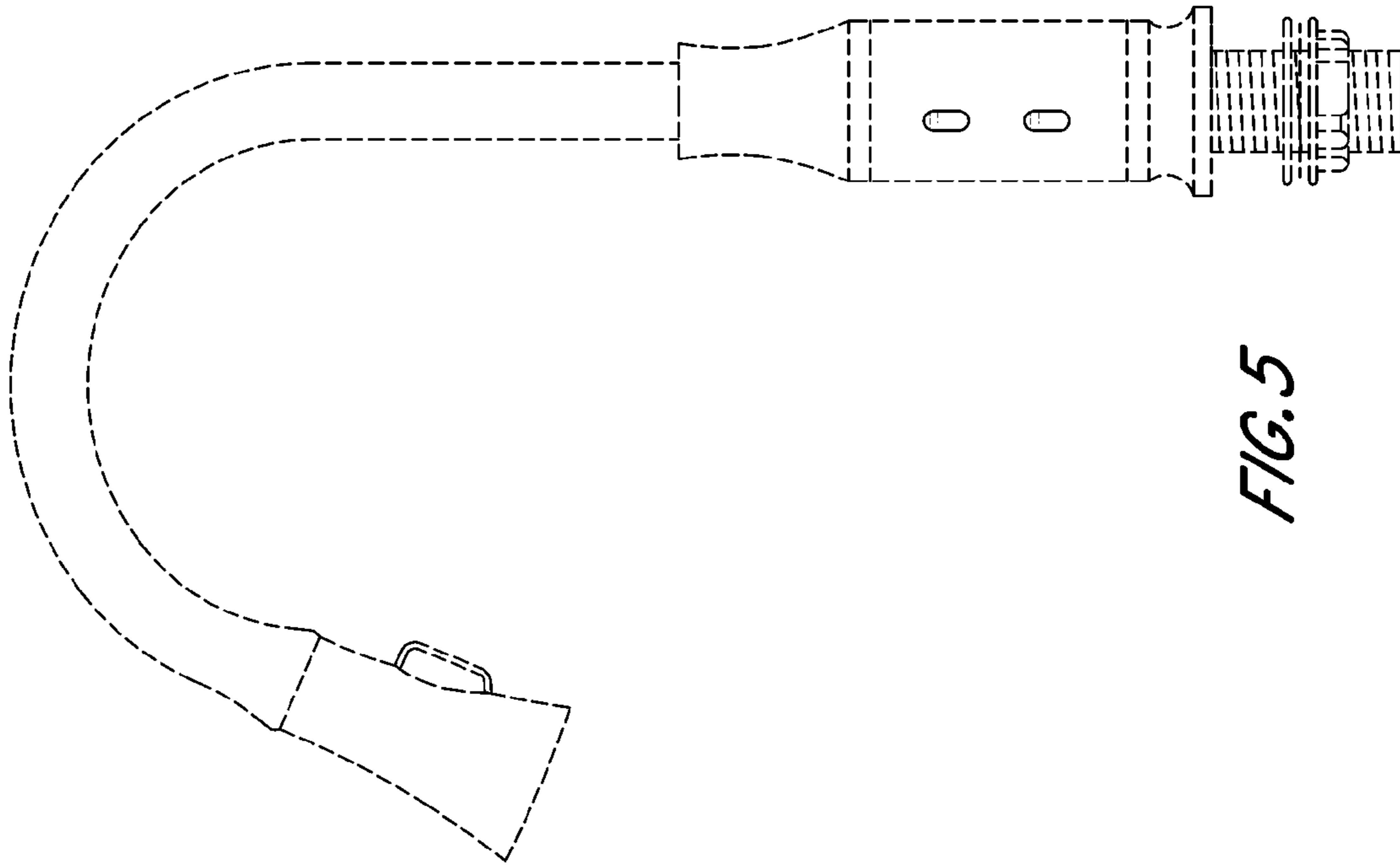
*FIG. 1*



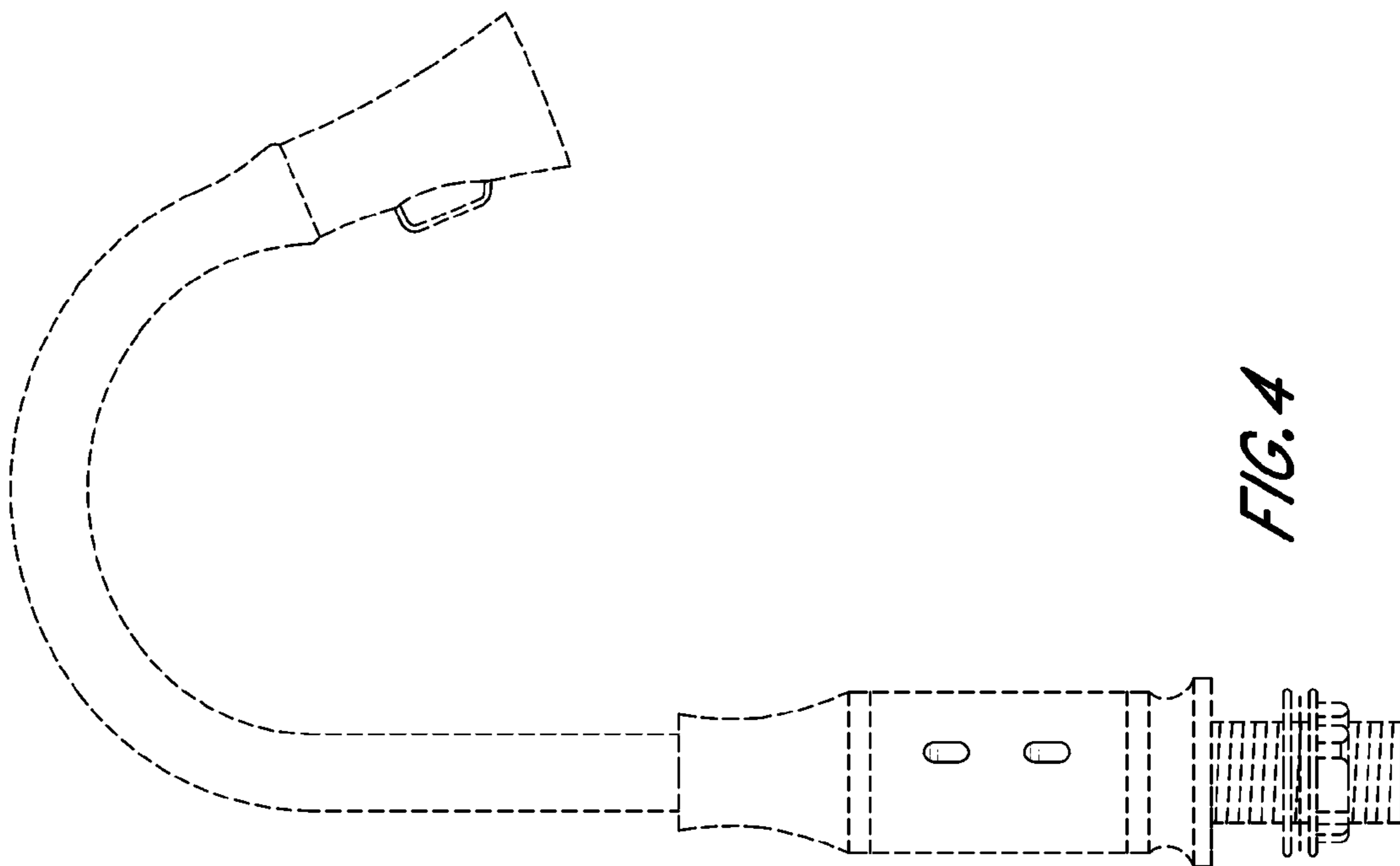
*FIG. 2*



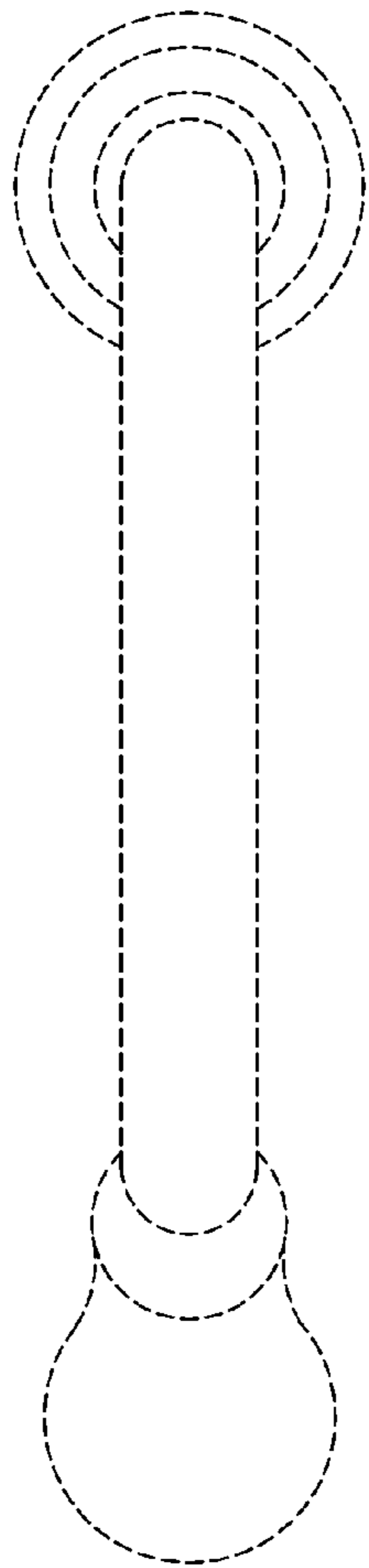
*FIG. 3*



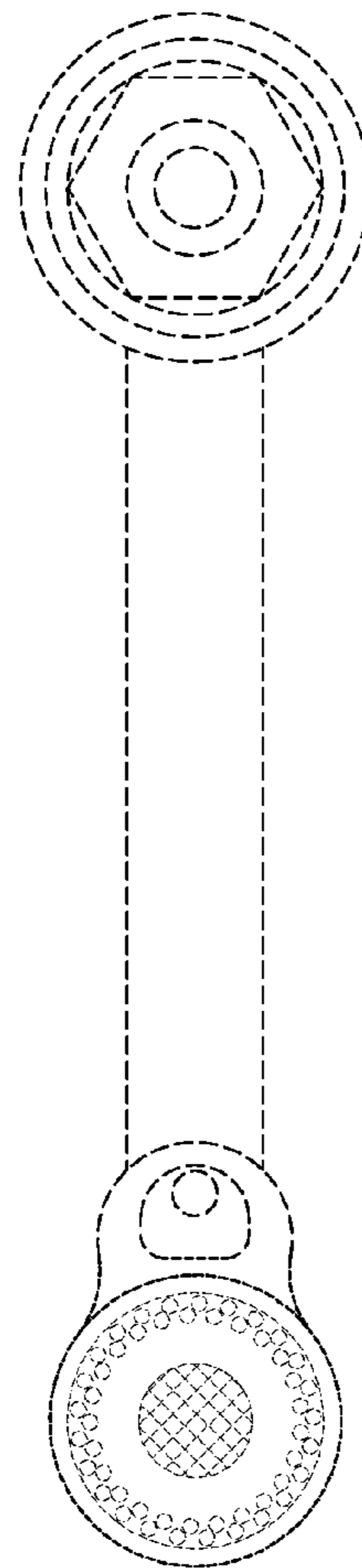
*FIG. 5*



*FIG. 4*



*FIG. 6*



*FIG. 7*

UNITED STATES PATENT AND TRADEMARK OFFICE  
**CERTIFICATE OF CORRECTION**

PATENT NO. : D692,110 S  
APPLICATION NO. : 29/447324  
DATED : October 22, 2013  
INVENTOR(S) : Chen

Page 1 of 1

It is certified that error appears in the above-identified patent and that said Letters Patent is hereby corrected as shown below:

On the Title Page Item [57], Description Fig 4, column 2, line 2, please change "fuacet" to --faucet--.

Signed and Sealed this  
Tenth Day of June, 2014



Michelle K. Lee  
*Deputy Director of the United States Patent and Trademark Office*