



US00D692107S

(12) **United States Design Patent**
Yu

(10) **Patent No.:** **US D692,107 S**
(45) **Date of Patent:** **** Oct. 22, 2013**

(54) **FAUCET**

(75) **Inventor:** **Guang Yu**, Hangzhou (CN)

(73) **Assignee:** **Yatin Bath Corporation**, Hangzhou,
Zhejiang Province (CN)

(**) **Term:** **14 Years**

(21) **Appl. No.:** **29/427,796**

(22) **Filed:** **Jul. 23, 2012**

(51) **LOC (9) Cl.** **23-01**

(52) **U.S. Cl.**
USPC **D23/241**

(58) **Field of Classification Search**
USPC D23/241–242, 250, 256, 257, 238, 251,
D23/255; 4/675–678; 138/801

See application file for complete search history.

(56) **References Cited**

U.S. PATENT DOCUMENTS

D365,624 S *	12/1995	Gottwald	D23/238
D510,411 S *	10/2005	Lord	D23/238
D594,532 S *	6/2009	Schoenherr et al.	D23/238
D677,761 S *	3/2013	Lord	D23/255

* cited by examiner

Primary Examiner — Robert Delehanty

(74) *Attorney, Agent, or Firm* — Jacobson Holman PLLC;
Jiwen Chen

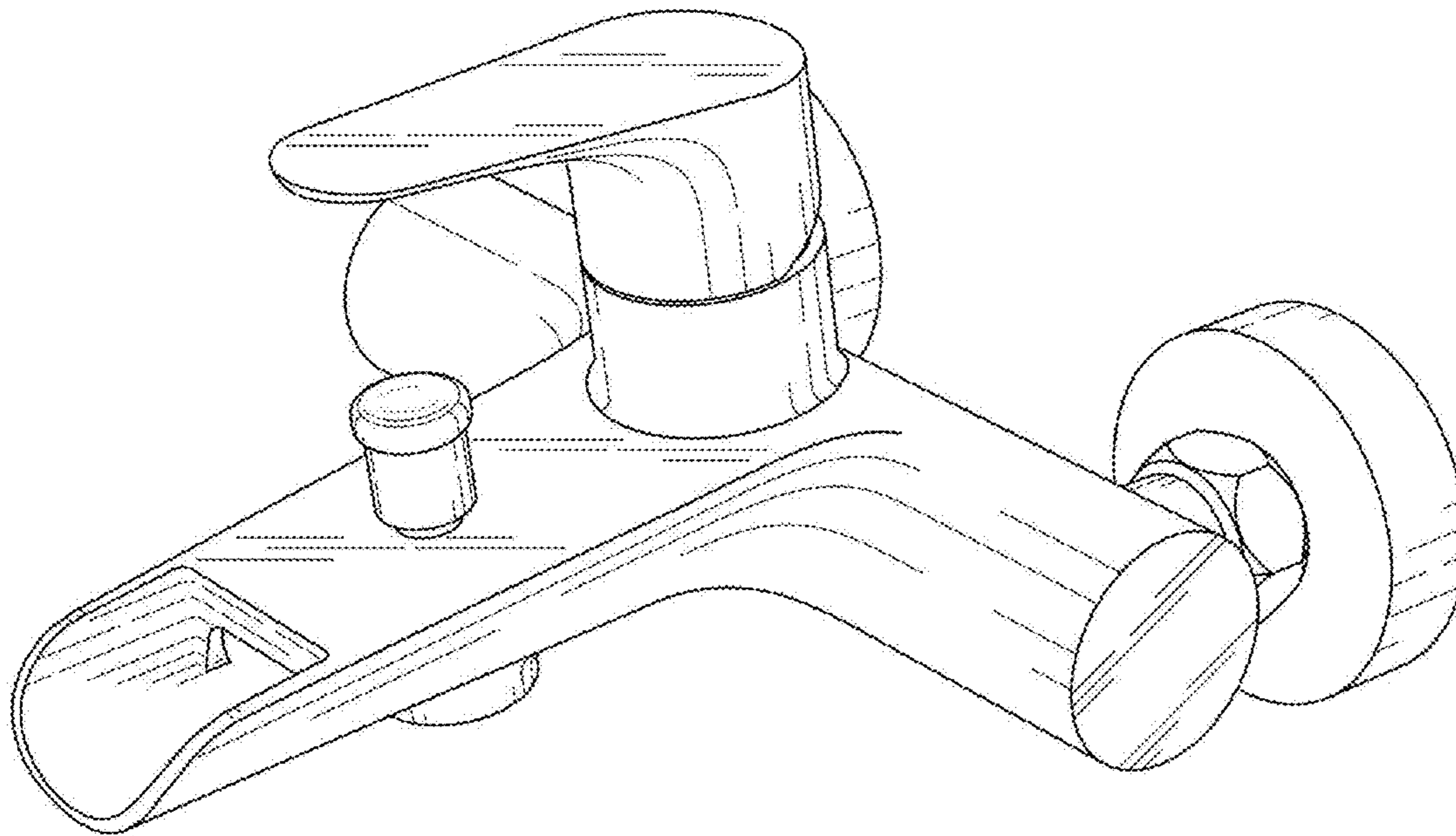
(57) **CLAIM**

I claim the ornamental design for the faucet, as shown and described.

DESCRIPTION

FIG. 1 is a perspective view of the faucet showing the design;
FIG. 2 is a front elevational view thereof;
FIG. 3 is a right side elevational view thereof, the left side
elevational view of the design being a mirror image of the
right side elevational view;
FIG. 4 is a top plan view thereof; and,
FIG. 5 is a bottom plan view thereof.

1 Claim, 5 Drawing Sheets



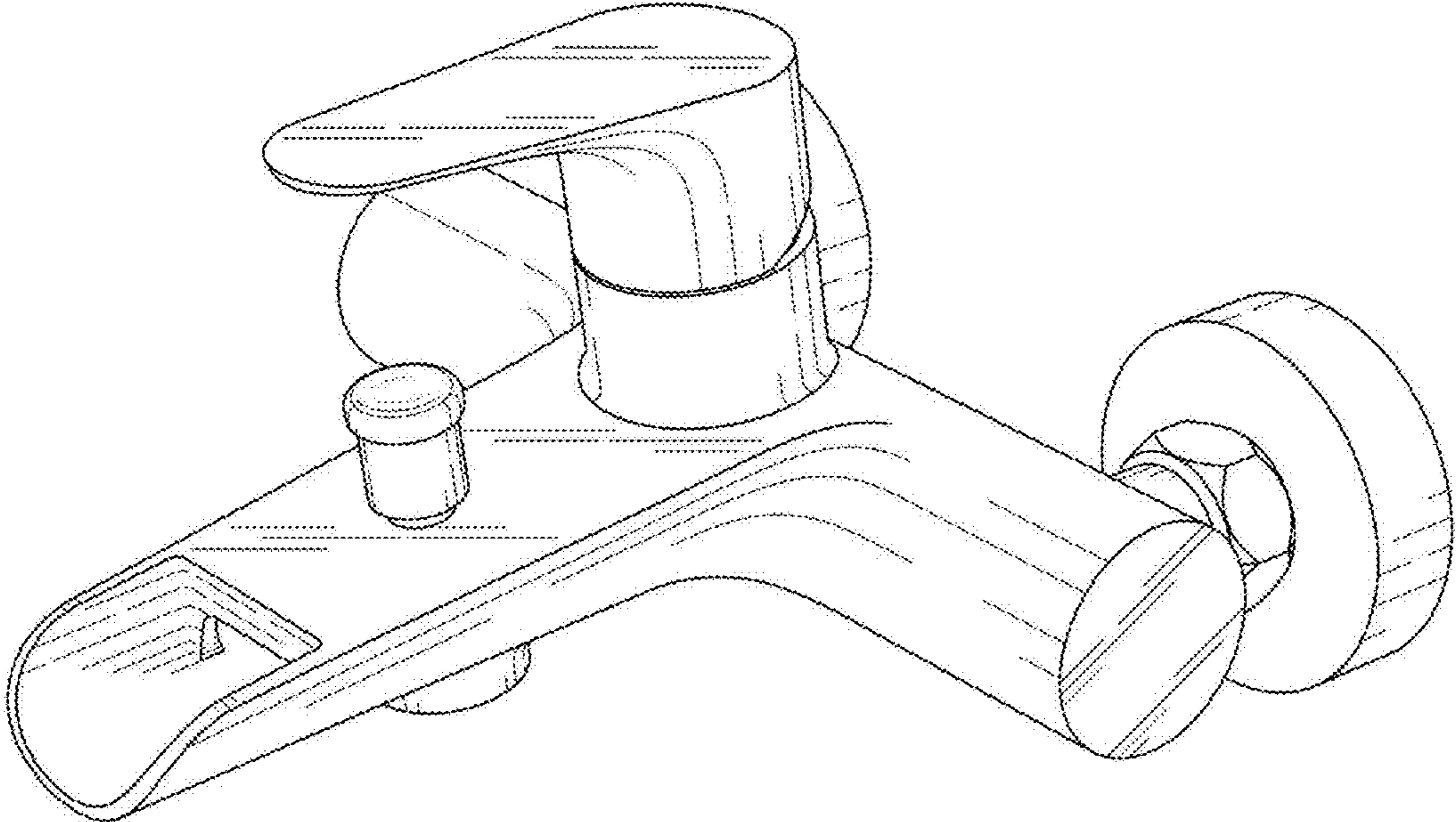


FIG. 1

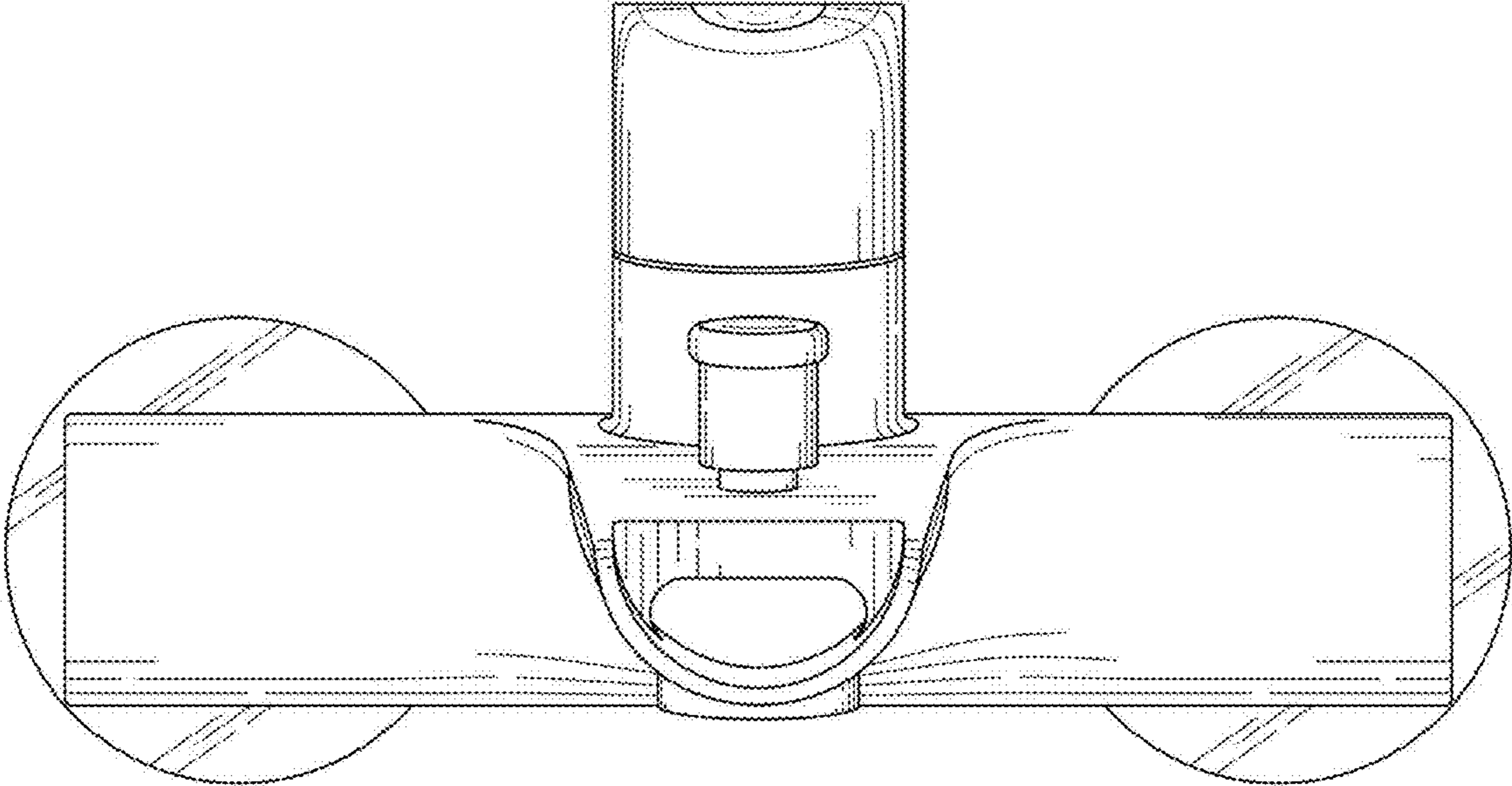


FIG. 2

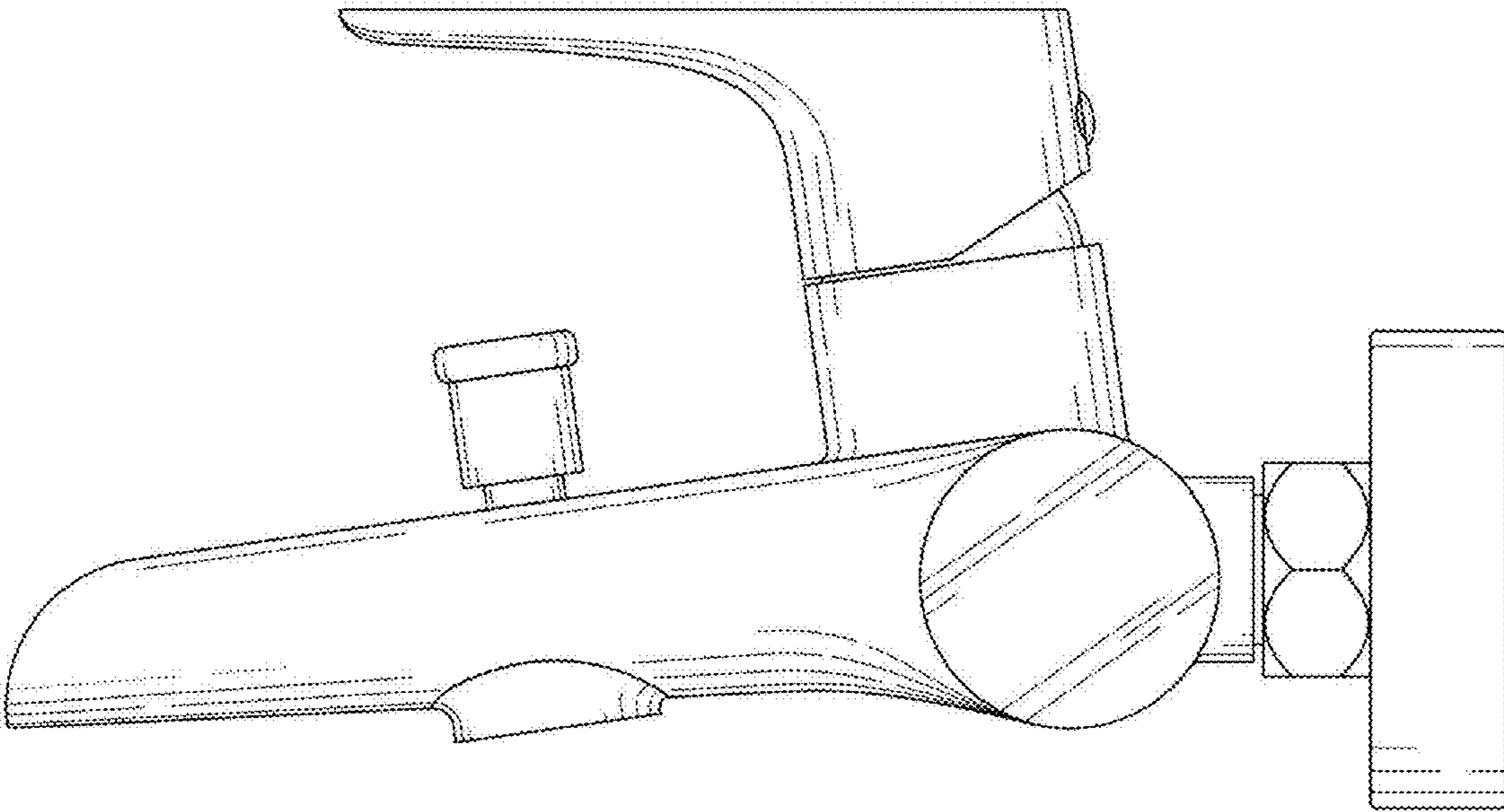


FIG. 3

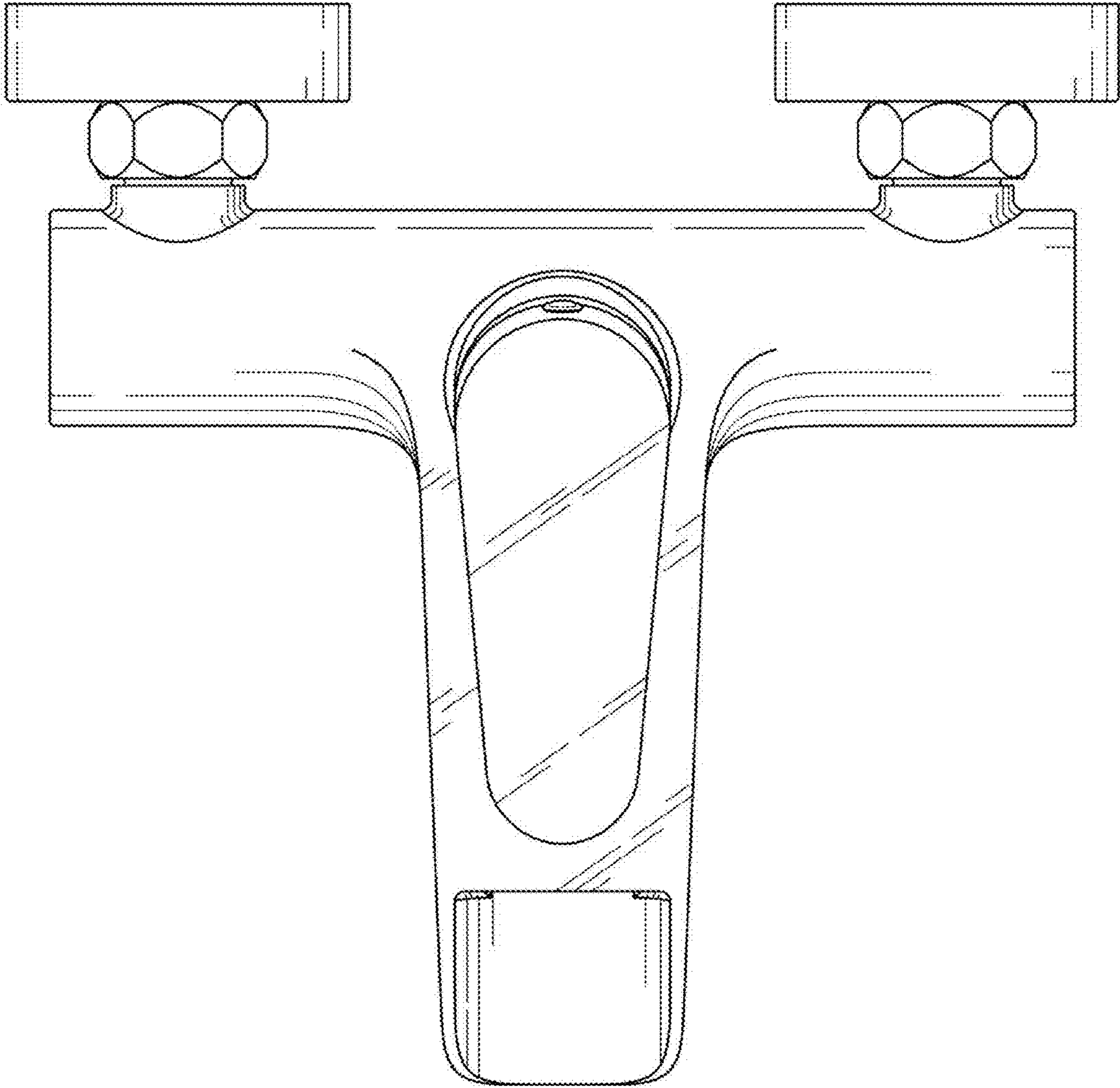


FIG. 4

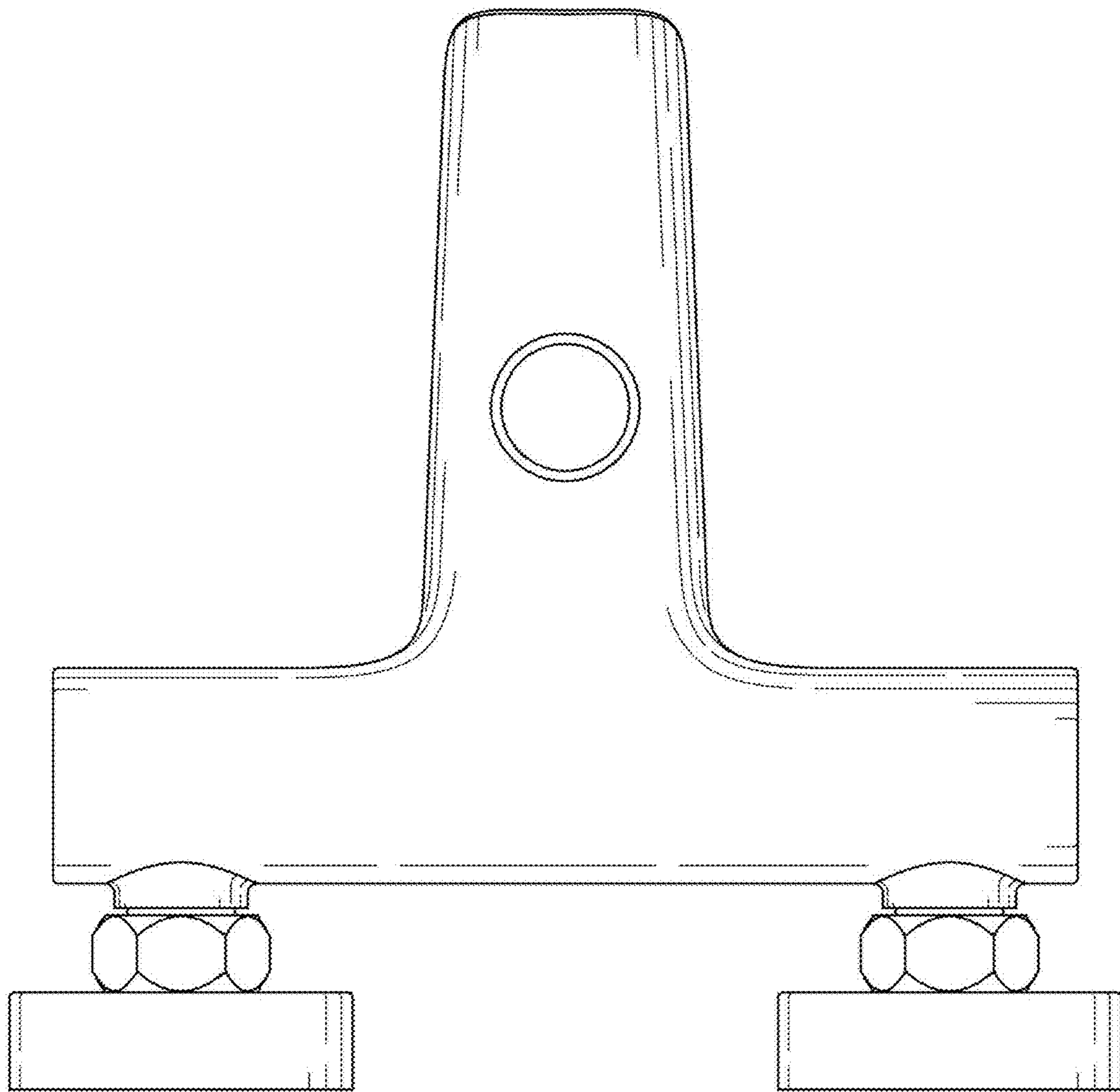


FIG. 5