



US00D692106S

(12) **United States Design Patent**  
**Yu**

(10) **Patent No.:** **US D692,106 S**

(45) **Date of Patent:** **\*\* Oct. 22, 2013**

(54) **FAUCET**

(75) **Inventor:** **Guang Yu**, Hangzhou (CN)

(73) **Assignee:** **Yatin Bath Corporation**, Hangzhou,  
Zhejiang Province (CN)

(\*\*) **Term:** **14 Years**

(21) **Appl. No.:** **29/427,667**

(22) **Filed:** **Jul. 20, 2012**

(51) **LOC (9) Cl.** ..... **23-01**

(52) **U.S. Cl.**  
USPC ..... **D23/241**

(58) **Field of Classification Search**  
USPC ..... D23/241-242, 250, 256, 257, 238, 251,  
D23/255; 4/675-678; 138/801

See application file for complete search history.

(56) **References Cited**

U.S. PATENT DOCUMENTS

D315,783 S *	3/1991	Delepine .....	D23/250
D358,199 S *	5/1995	Wang .....	D23/238
D365,624 S *	12/1995	Gottwald .....	D23/238
D533,638 S *	12/2006	Castellanos .....	D23/241
D598,981 S *	8/2009	Zetsche et al. ....	D23/242

\* cited by examiner

*Primary Examiner* — Robert Delehanty

(74) *Attorney, Agent, or Firm* — Jacobson Holman PLLC;  
Jiwen Chen

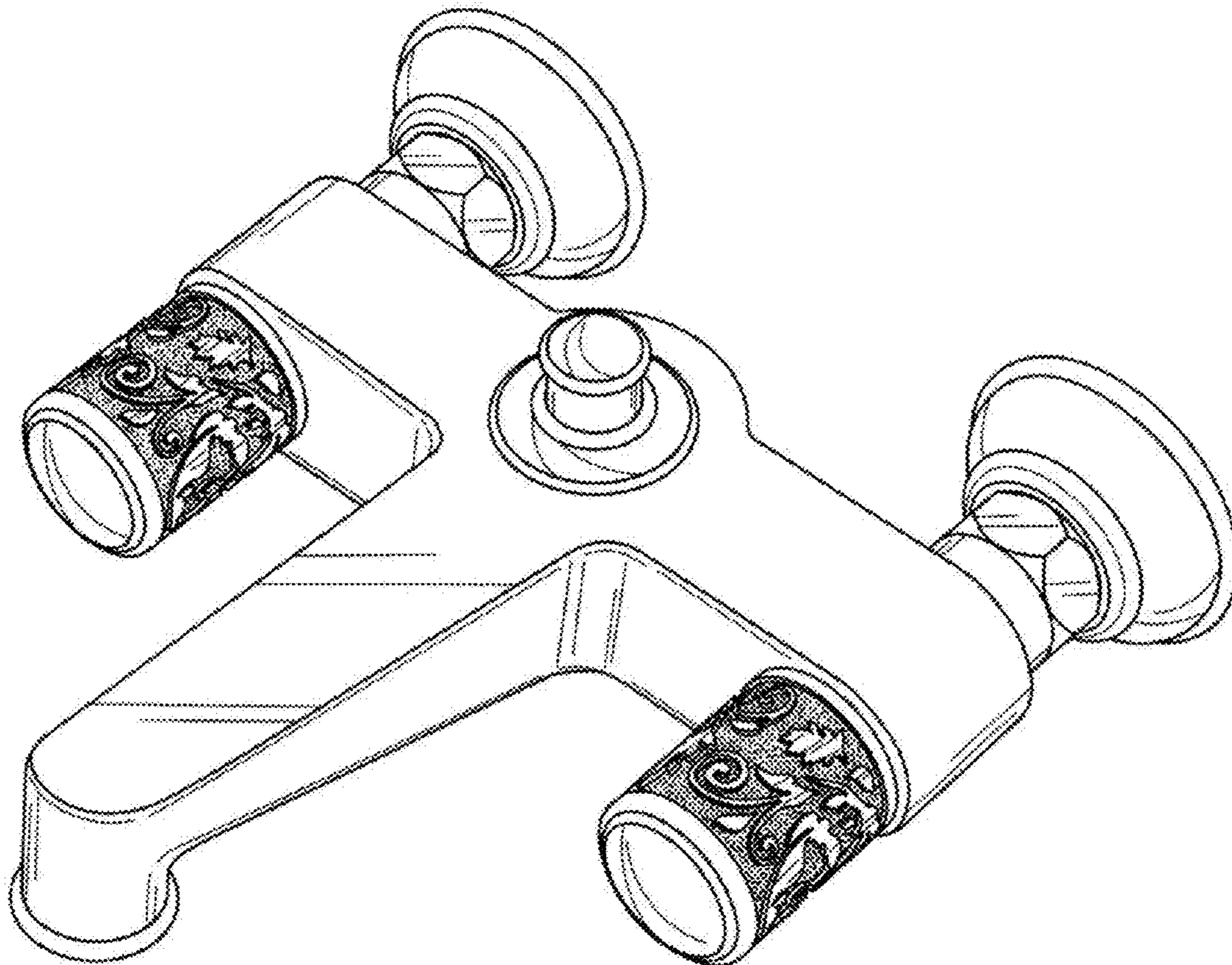
(57) **CLAIM**

I claim the ornamental design for the faucet, as shown and described.

**DESCRIPTION**

FIG. 1 is a perspective view of the faucet showing the design;  
FIG. 2 is a front elevational view thereof;  
FIG. 3 is a left side elevational view thereof;  
FIG. 4 is a right side elevational view thereof; and,  
FIG. 5 is a top plan view thereof.

**1 Claim, 5 Drawing Sheets**



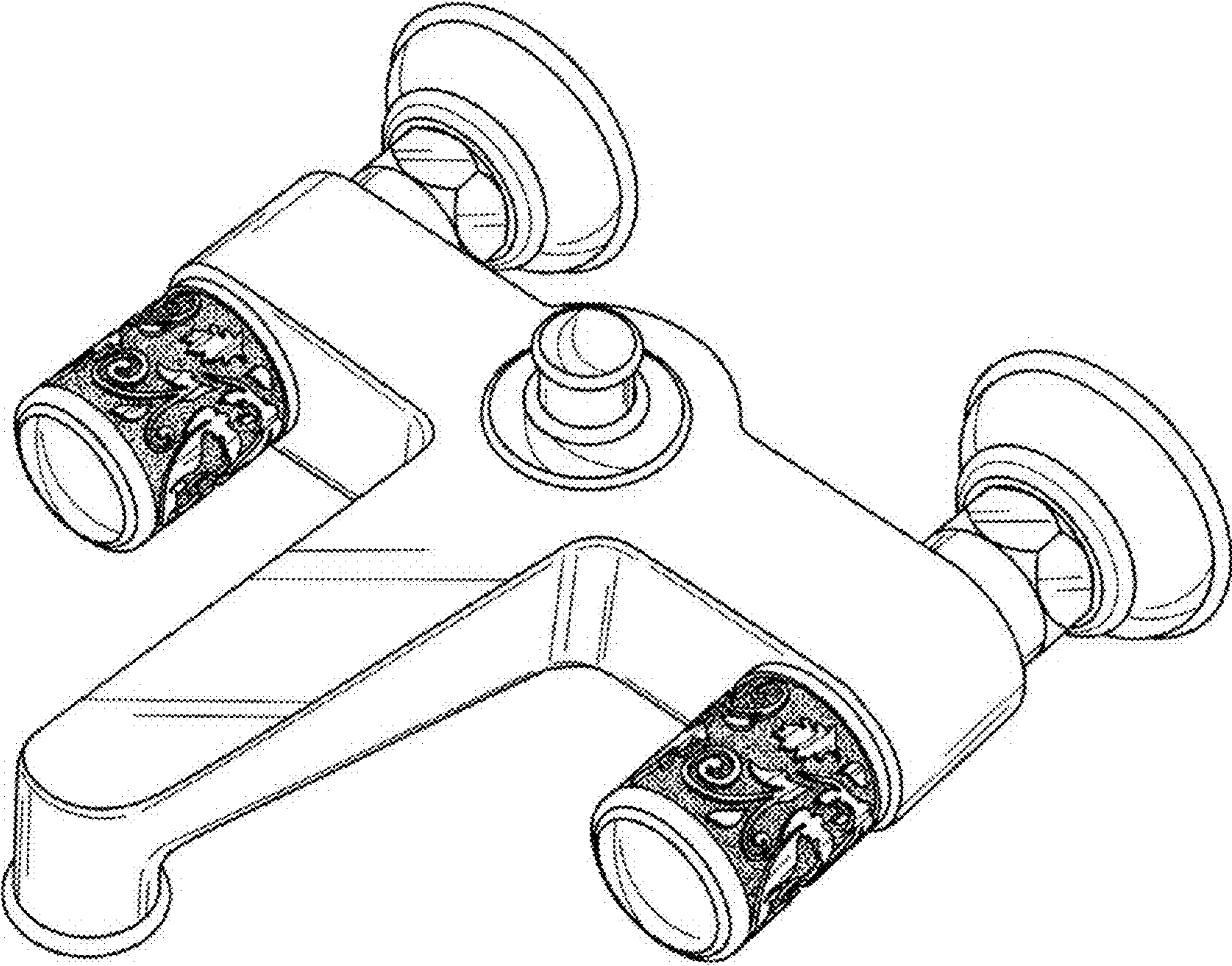


FIG 1

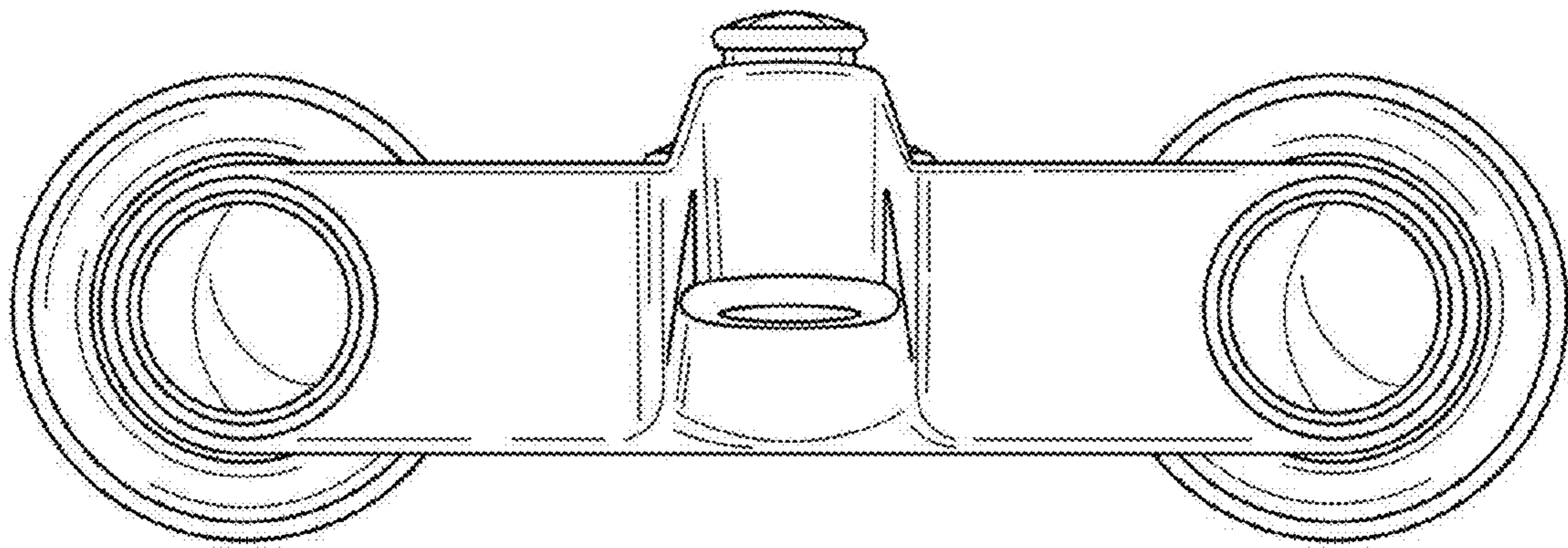


FIG 2

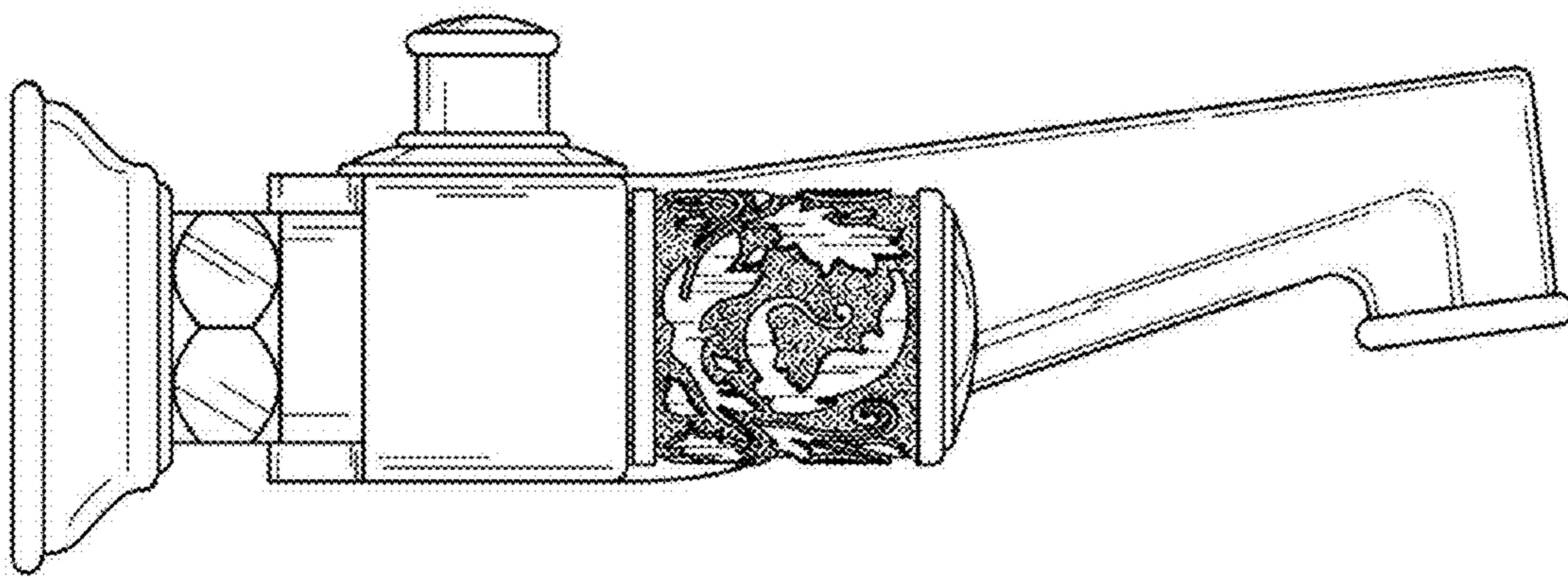


FIG 3

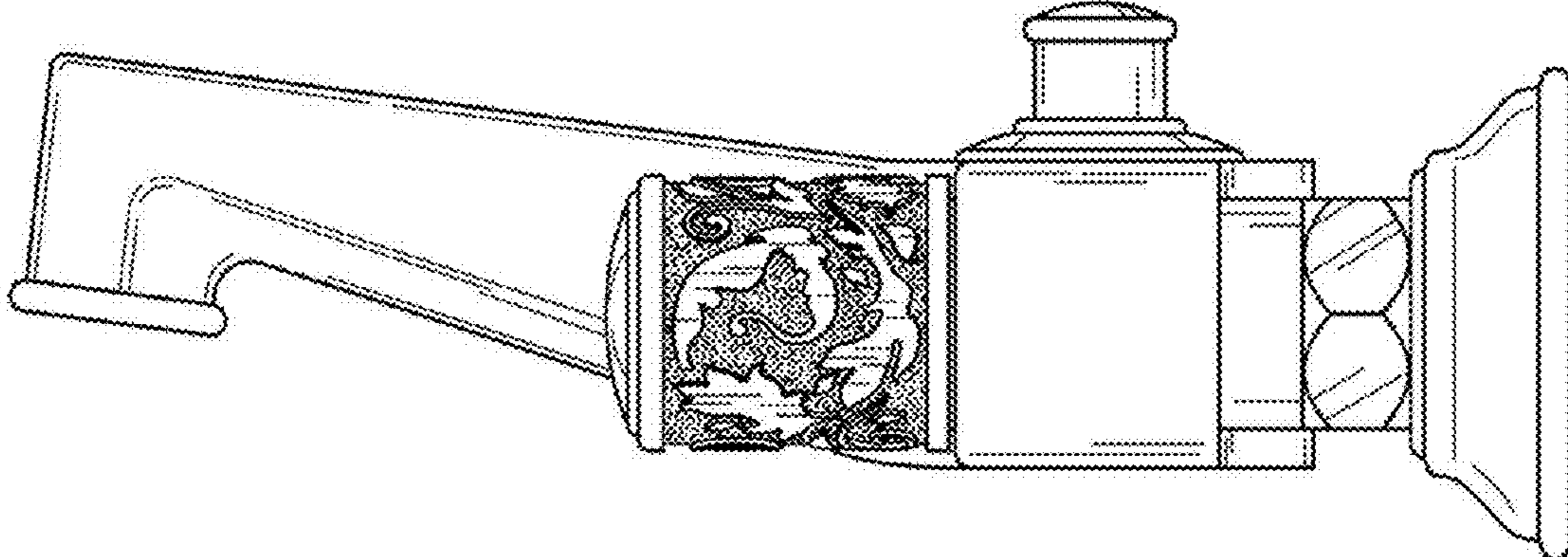


FIG 4

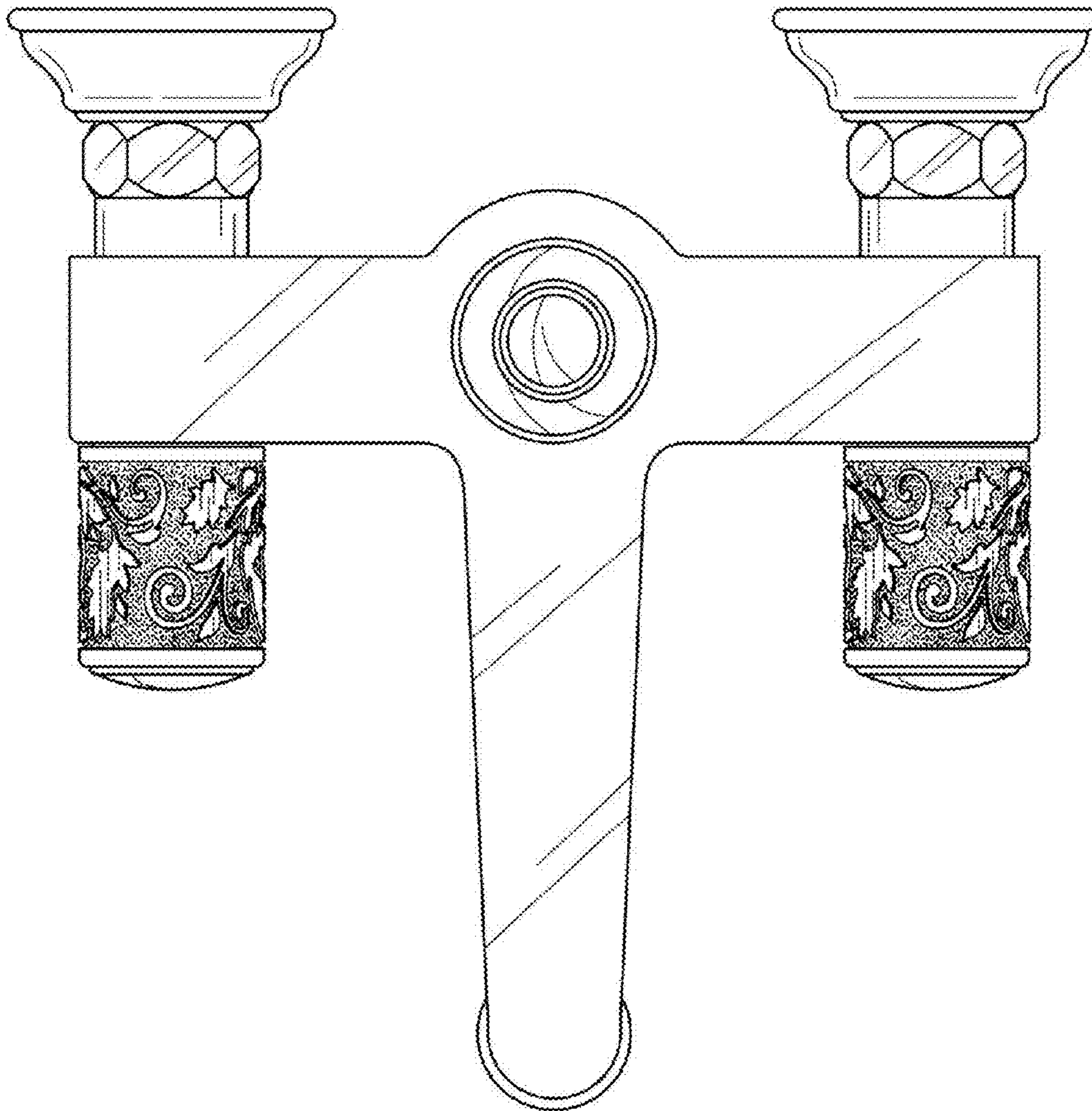


FIG 5