



US00D692105S

(12) **United States Design Patent**  
**Garland**

(10) **Patent No.:** **US D692,105 S**

(45) **Date of Patent:** **\*\* Oct. 22, 2013**

(54) **FAUCET**

(56) **References Cited**

(71) Applicant: **Masco Corporation of Indiana,**  
Indianapolis, IN (US)

U.S. PATENT DOCUMENTS

D664,629 S *	7/2012	Tang	.....	D23/238
D681,165 S *	4/2013	Berger	.....	D23/238
D683,432 S *	5/2013	Berger	.....	D23/242

(72) Inventor: **Celine Kwok Garland,** Indianapolis, IN  
(US)

\* cited by examiner

(73) Assignee: **Masco Corporation of Indiana,**  
Indianapolis, IN (US)

*Primary Examiner* — Robert Delehanty

(74) *Attorney, Agent, or Firm* — Edgar A. Zarins; Nirav D. Parikh

(\*\*) Term: **14 Years**

(57) **CLAIM**

The ornamental design for a faucet, as shown and described.

(21) Appl. No.: **29/444,655**

**DESCRIPTION**

(22) Filed: **Feb. 1, 2013**

(51) **LOC (9) Cl.** ..... **23-01**

(52) **U.S. Cl.**

USPC ..... **D23/238**

(58) **Field of Classification Search**

USPC ..... D23/238, 241-243, 250, 254.255, 257;  
4/675-678; 137/801

FIG. 1 is a perspective view of a faucet showing my new design;

FIG. 2 is an enlarged partial perspective view thereof;

FIG. 3 is a top plan view thereof;

FIG. 4 is a bottom view thereof;

FIG. 5 is a front elevational view thereof;

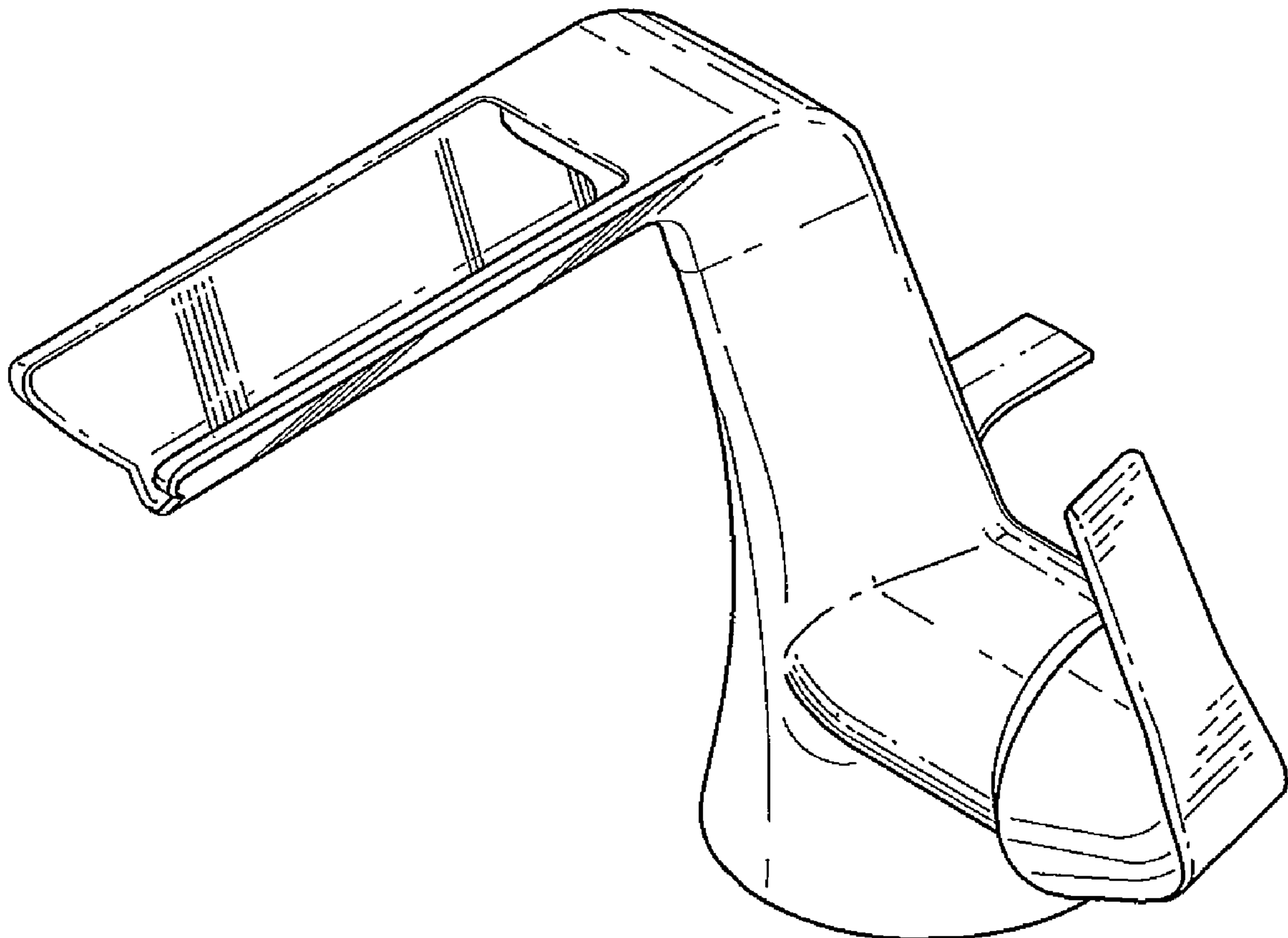
FIG. 6 is a rear view thereof;

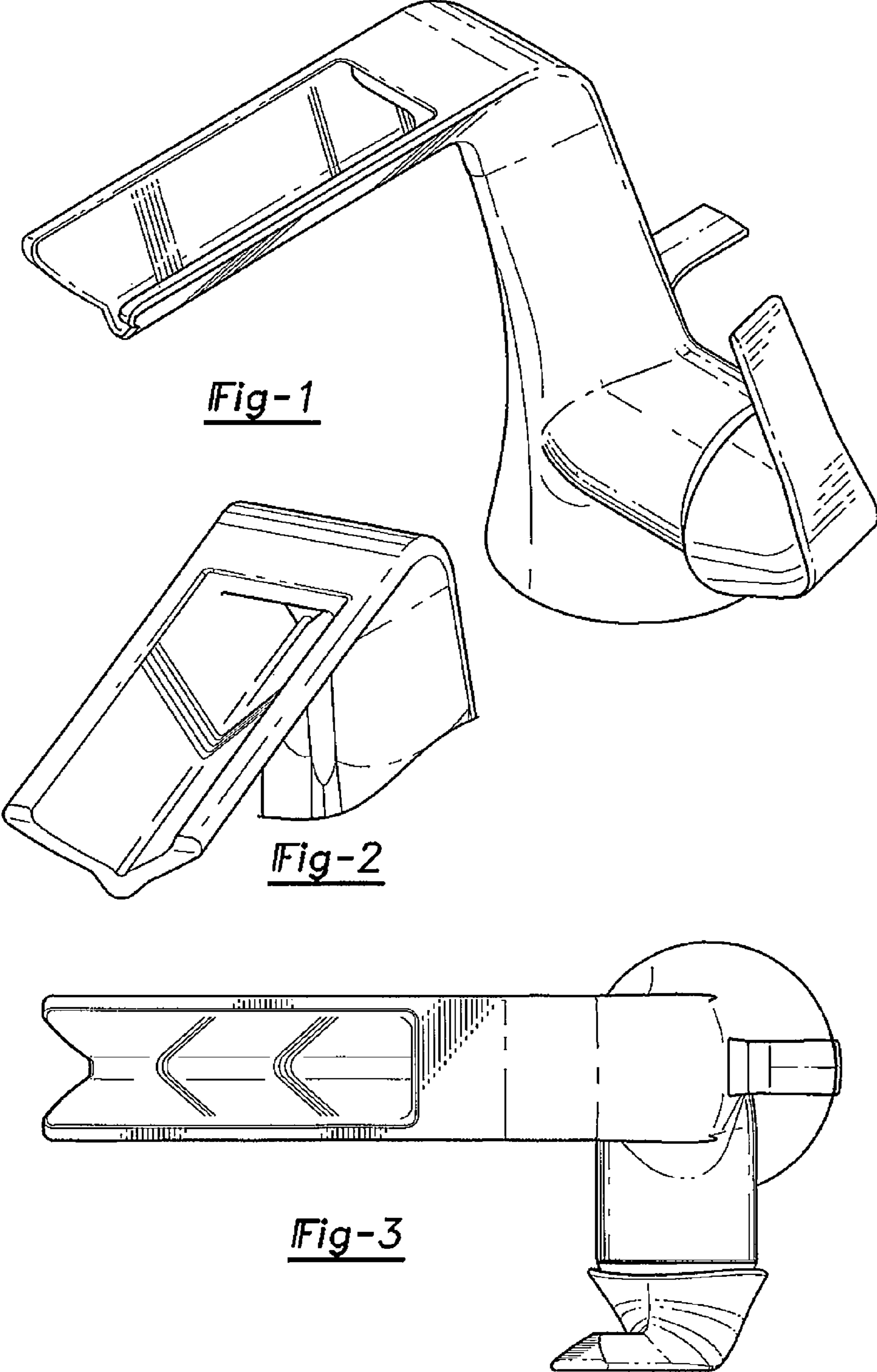
FIG. 7 is a right side view thereof; and,

FIG. 8 is a left side view thereof.

See application file for complete search history.

**1 Claim, 3 Drawing Sheets**





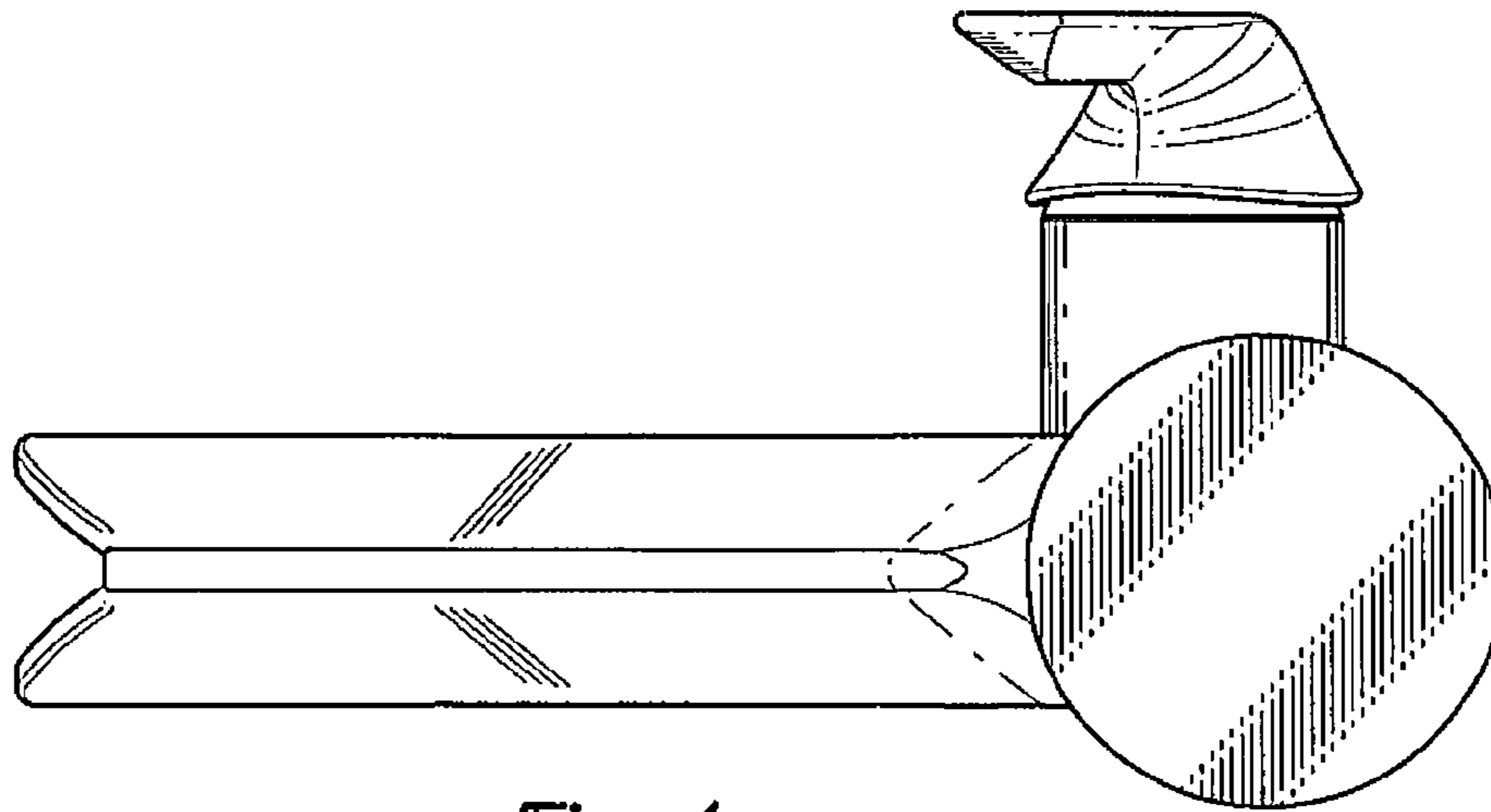


Fig-4

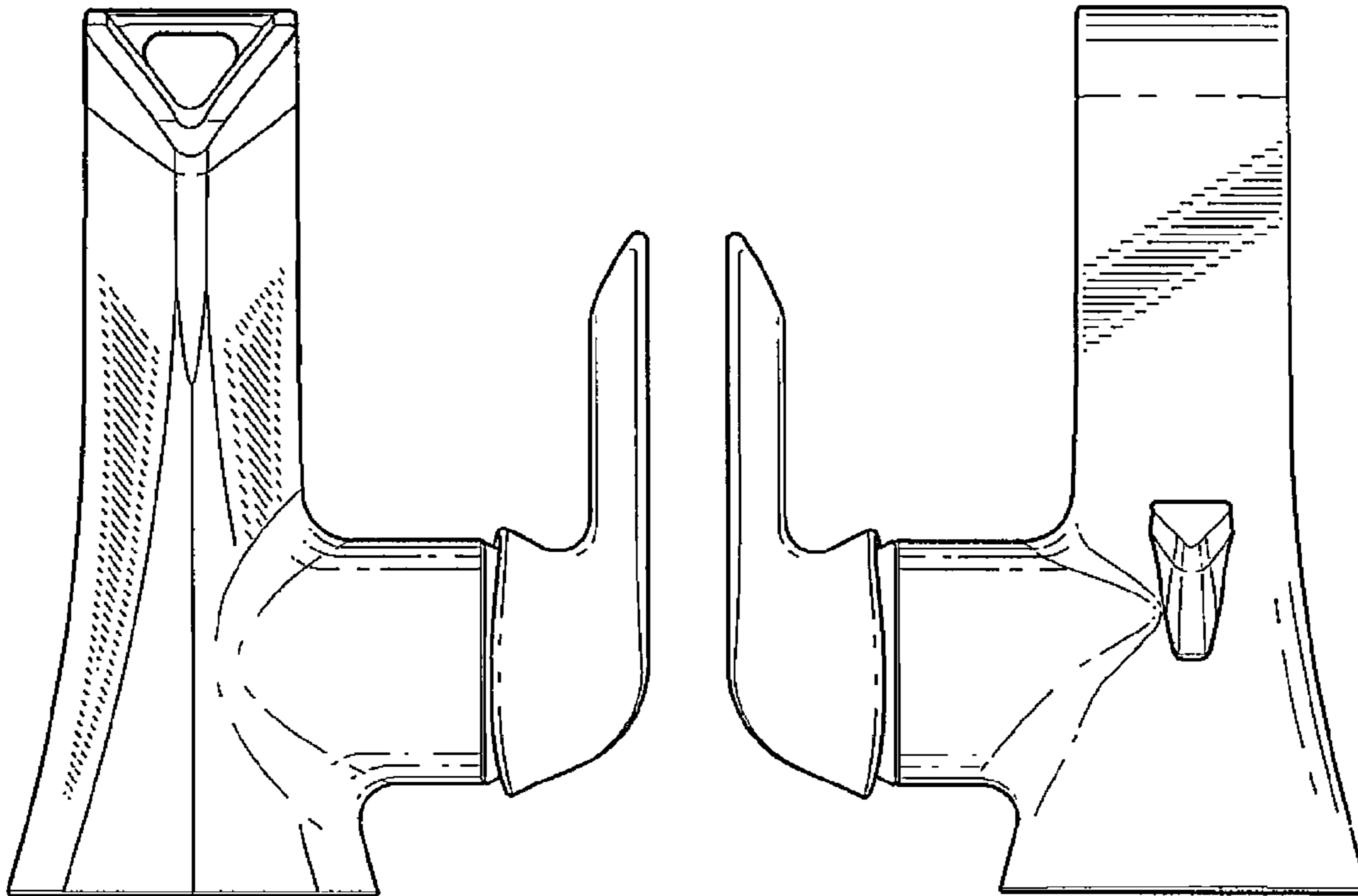


Fig-5

Fig-6

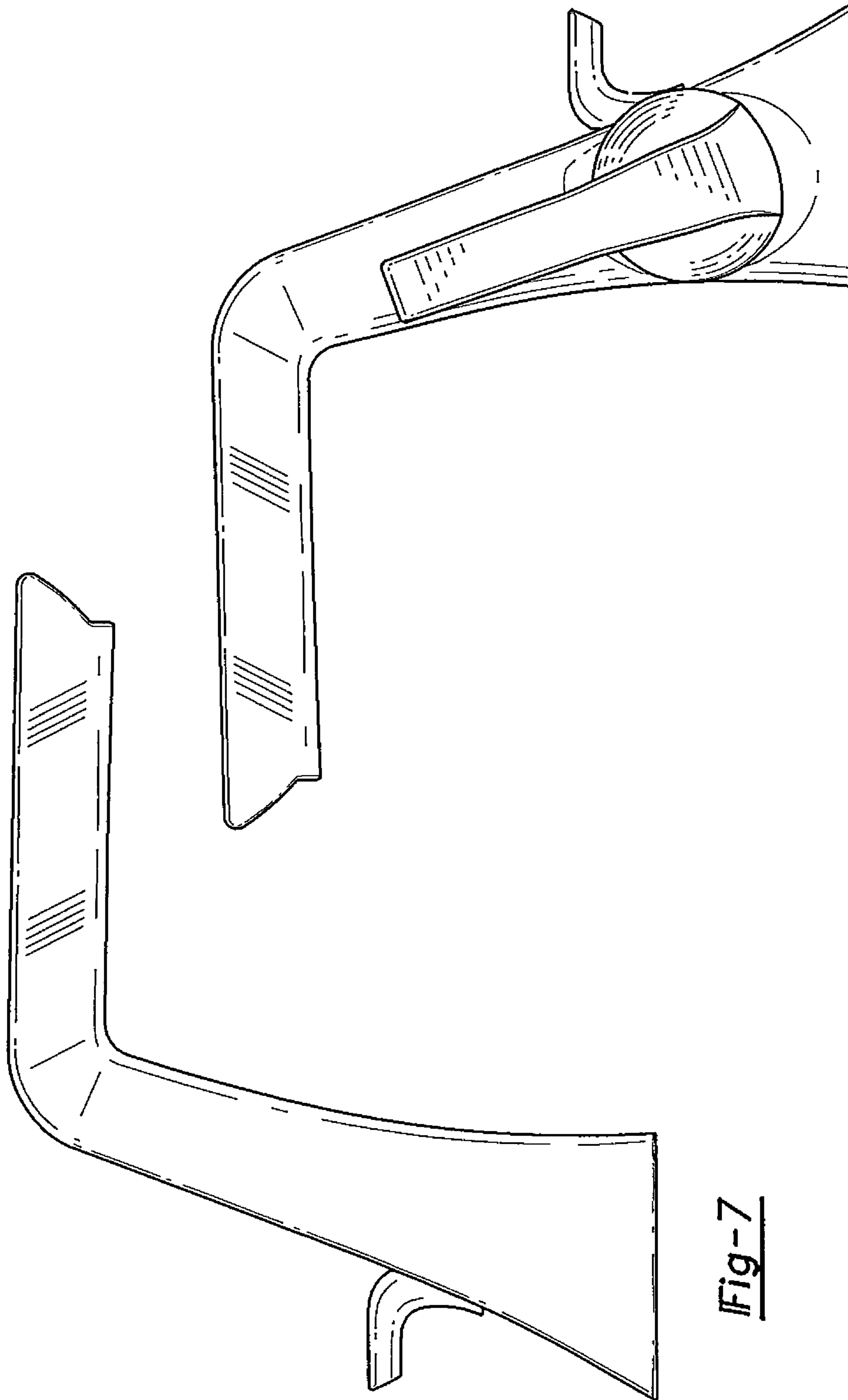


Fig-7

Fig-8