



US00D692101S

(12) **United States Design Patent**
Yu

(10) **Patent No.:** **US D692,101 S**

(45) **Date of Patent:** **** Oct. 22, 2013**

(54) **FAUCET**

(75) **Inventor:** **Guang Yu, Hangzhou (CN)**

(73) **Assignee:** **Yatin Bath Corporation, Hangzhou, Zhejiang Province (CN)**

(**) **Term:** **14 Years**

(21) **Appl. No.:** **29/427,641**

(22) **Filed:** **Jul. 20, 2012**

(51) **LOC (9) Cl.** **23-01**

(52) **U.S. Cl.**
USPC **D23/238**

(58) **Field of Classification Search**
USPC D23/238, 241–243, 250, 251–252,
D23/255–257; 4/675–678; 138/801
See application file for complete search history.

(56) **References Cited**

U.S. PATENT DOCUMENTS

D315,783 S * 3/1991 Delepine D23/250
5,067,517 A * 11/1991 Ting-Chih et al. 137/426

D424,173 S * 5/2000 Donahue et al. D23/243
D487,919 S * 3/2004 Lin D23/238
D517,653 S * 3/2006 Ito D23/238
D544,582 S * 6/2007 Castellanos D23/241

* cited by examiner

Primary Examiner — Robert Delehanty

(74) *Attorney, Agent, or Firm* — Jacobson Holman PLLC;
Jiwen Chen

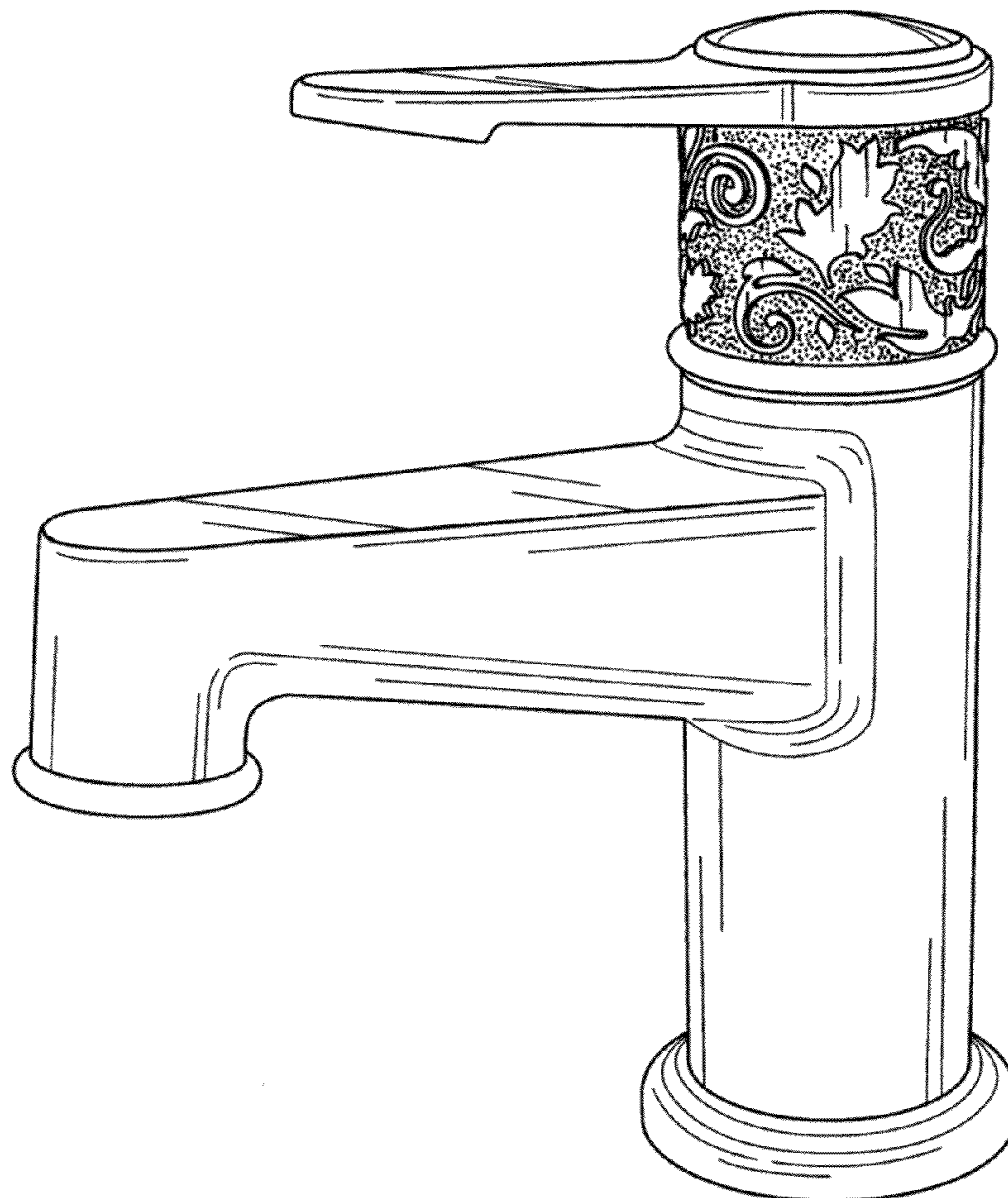
(57) **CLAIM**

I claim the ornamental design for the faucet, as shown and described.

DESCRIPTION

FIG. 1 is a perspective view of the faucet showing the design;
FIG. 2 is a front elevational view thereof;
FIG. 3 is a rear elevational view thereof;
FIG. 4 is a left side elevational view thereof;
FIG. 5 is a right side elevational view thereof; and,
FIG. 6 is a top plan view thereof.

1 Claim, 6 Drawing Sheets



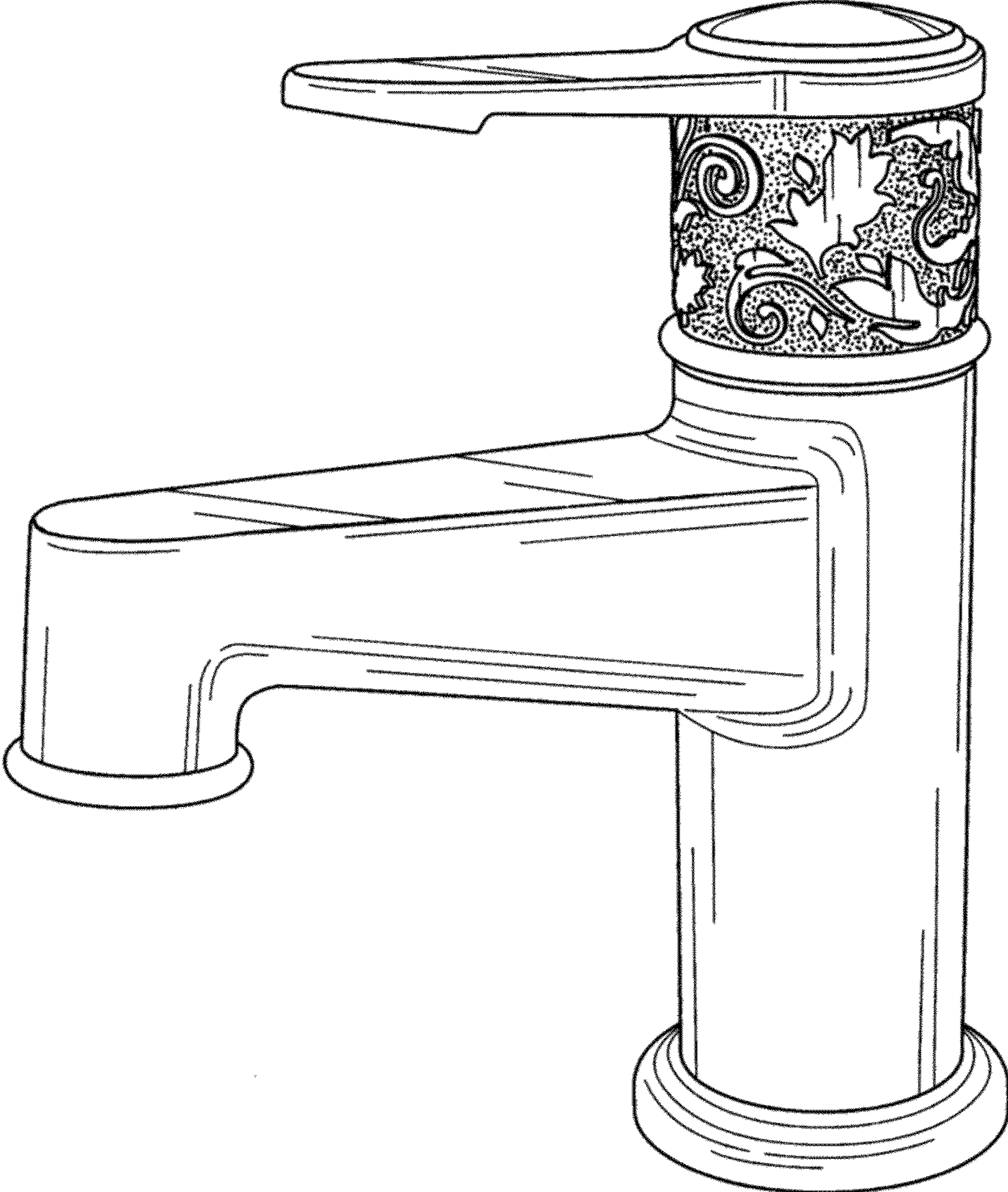


FIG 1

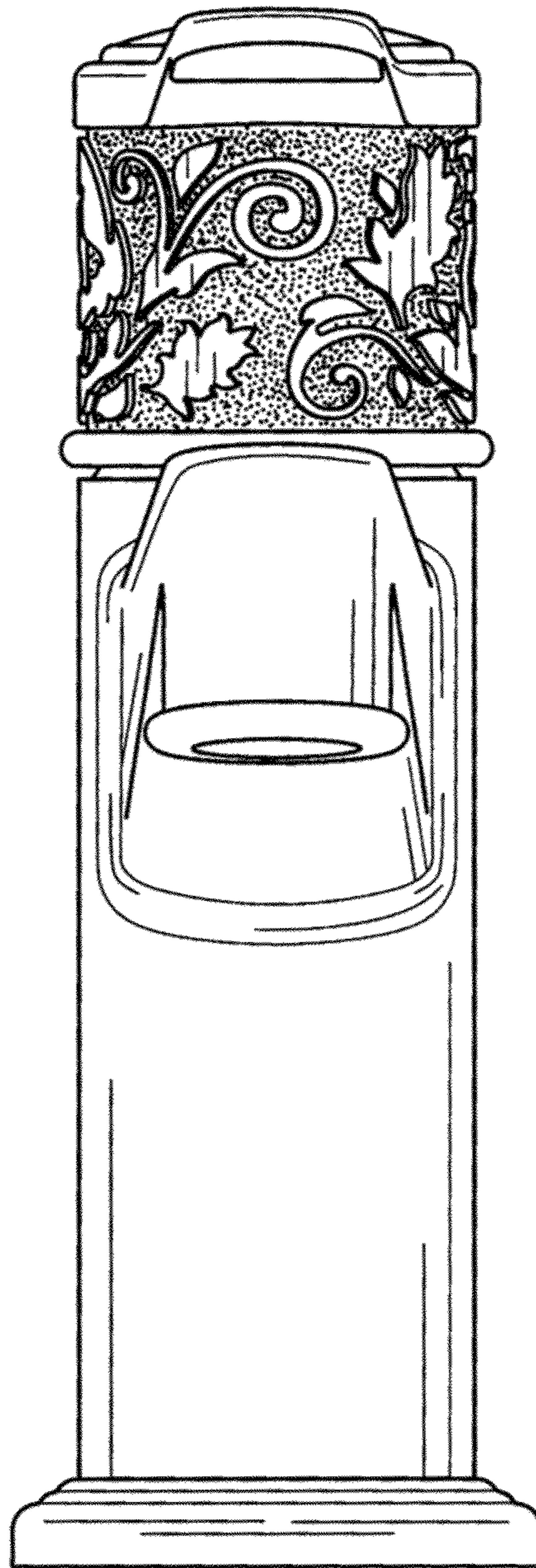


FIG 2

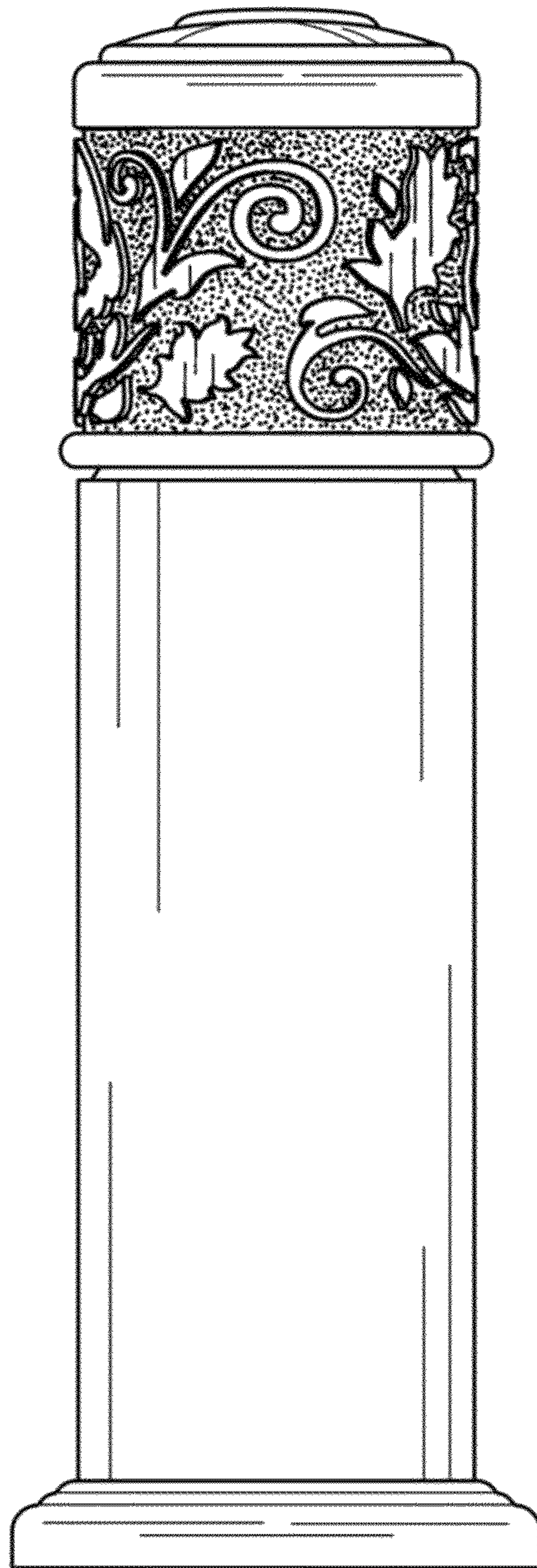


FIG 3

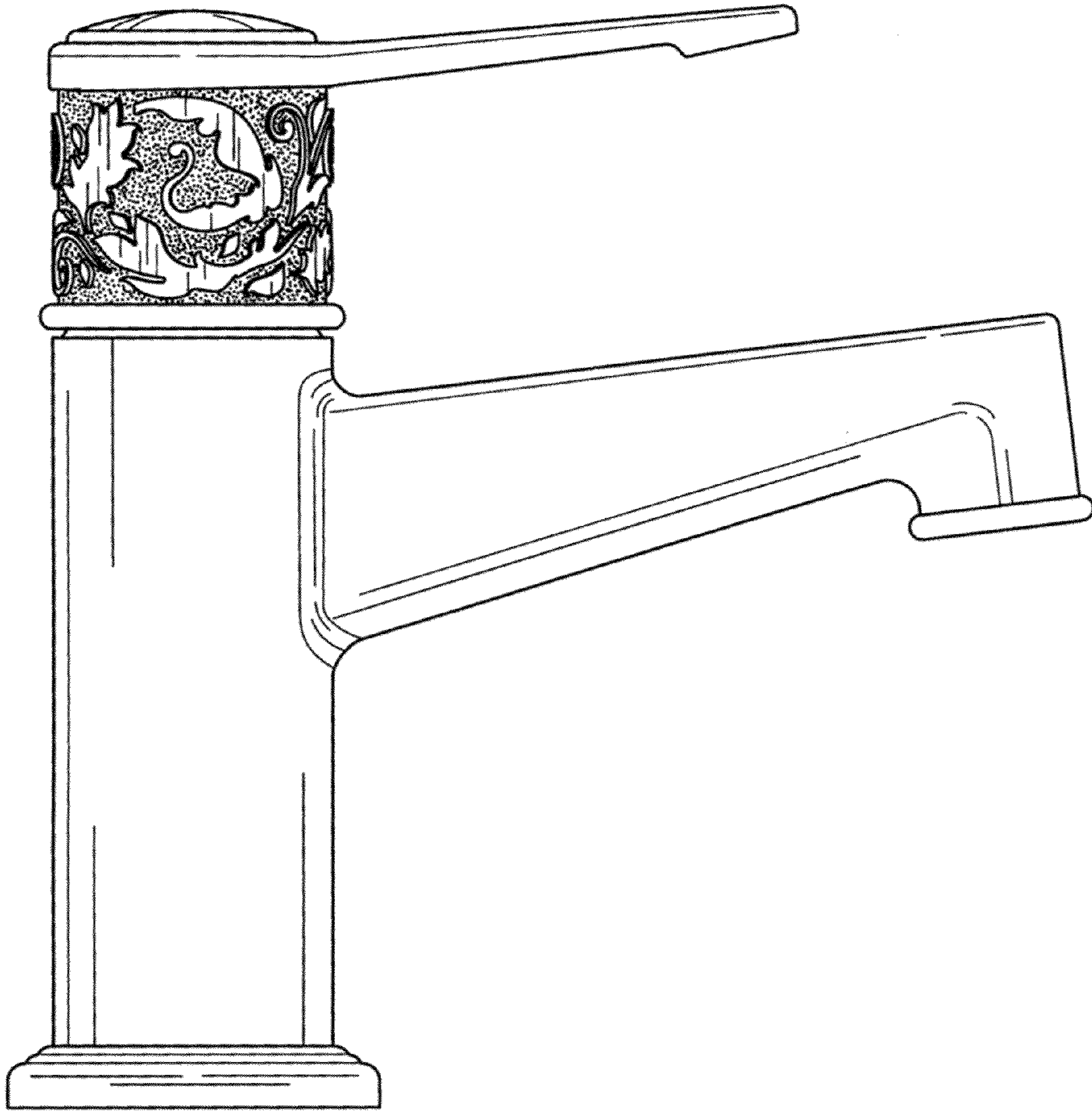


FIG 4

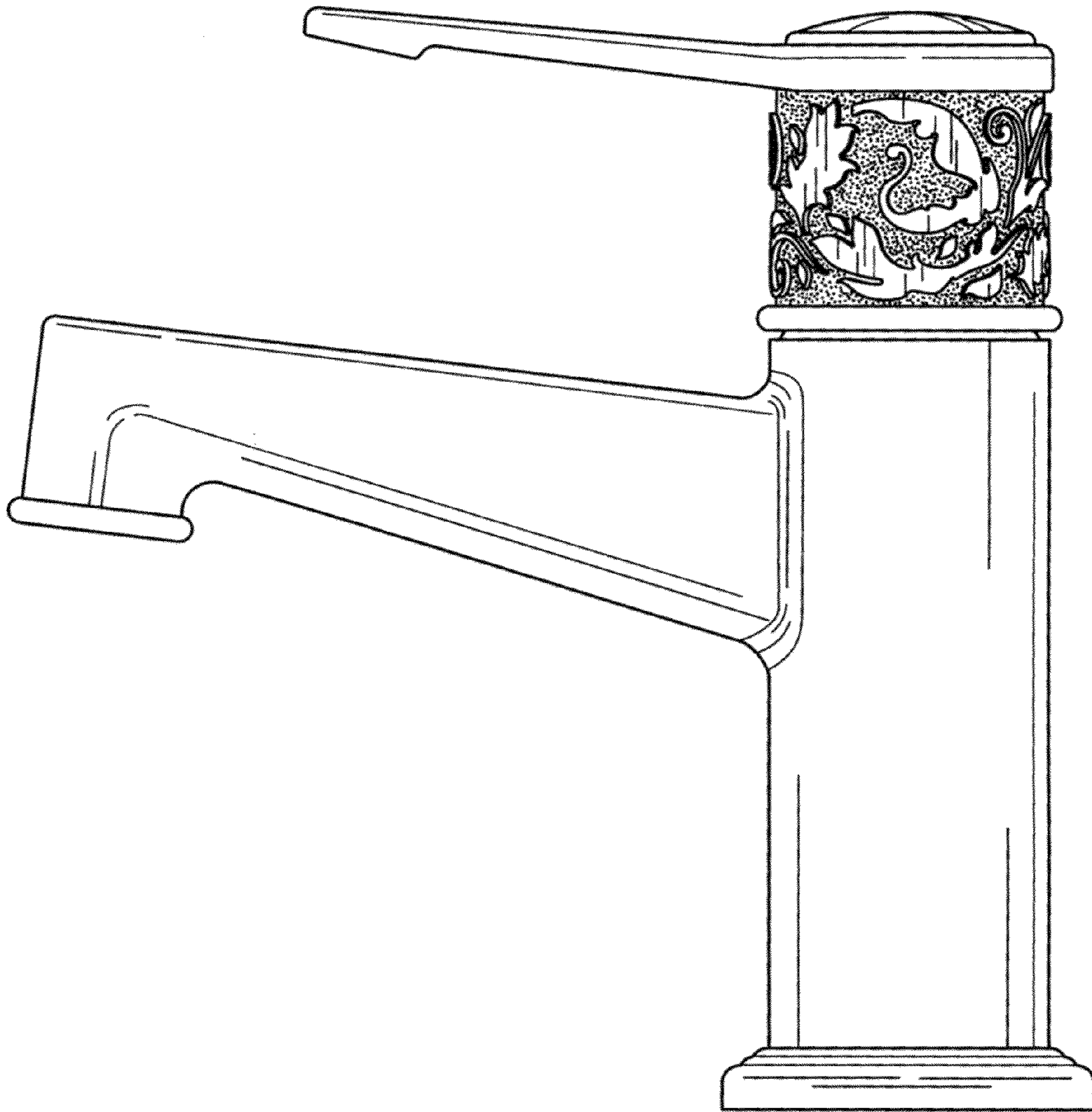


FIG 5

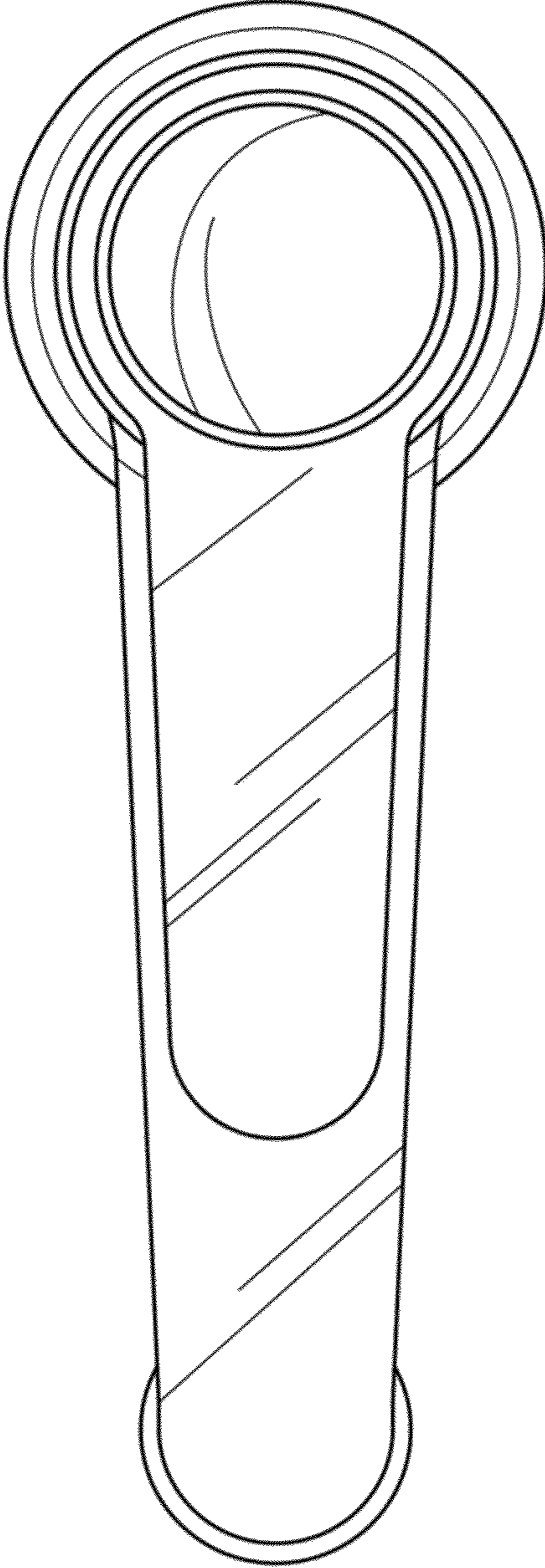


FIG 6