



US00D692099S

(12) **United States Design Patent**
Freeth

(10) **Patent No.:** **US D692,099 S**

(45) **Date of Patent:** **** Oct. 22, 2013**

(54) **COMBINED VALVE AND HANDLE**

(71) Applicant: **Gilbert Peter Freeth**, San Dimas, CA
(US)

(72) Inventor: **Gilbert Peter Freeth**, San Dimas, CA
(US)

(73) Assignee: **Eaton Corporation**, Cleveland, OH
(US)

(**) Term: **14 Years**

(21) Appl. No.: **29/435,309**

(22) Filed: **Oct. 23, 2012**

(51) **LOC (9) Cl.** **23-01**

(52) **U.S. Cl.**
USPC **D23/233**

(58) **Field of Classification Search**
USPC D23/233-237, 244-249; 137/15.04,
137/15.08; 251/149.1, 214
See application file for complete search history.

(56) **References Cited**

U.S. PATENT DOCUMENTS

D263,069 S * 2/1982 Chow et al. D23/245
D299,521 S * 1/1989 Kiyota et al. D23/245

D540,920 S * 4/2007 Scaramucci et al. D23/249
D559,955 S * 1/2008 Donovan et al. D23/233
2010/0012207 A1 * 1/2010 Satoh et al. 137/625.41
2011/0041939 A1 * 2/2011 Tedeschi 137/625.41

* cited by examiner

Primary Examiner — Cynthia Ramirez

(74) *Attorney, Agent, or Firm* — Benesch Friedlander
Coplan & Aronoff LLP

(57) **CLAIM**

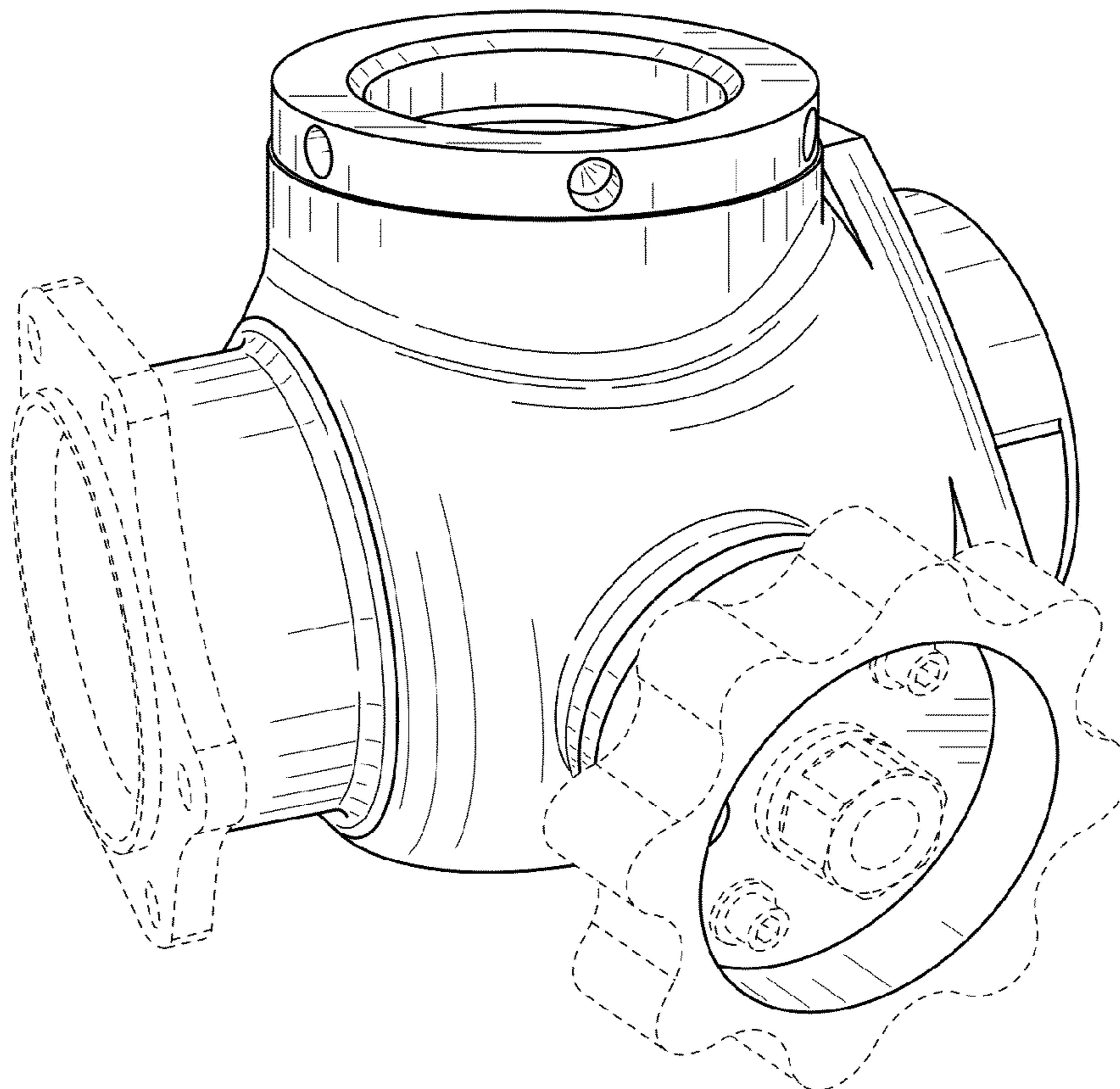
The ornamental design for a combined valve and handle, as shown and described.

DESCRIPTION

FIG. 1 is a front perspective view of a combined valve and handle showing our my new design;
FIG. 2 is a front view thereof;
FIG. 3 is a back view thereof;
FIG. 4 is a right side view thereof;
FIG. 5 is a left side view thereof;
FIG. 6 is a top view thereof; and,
FIG. 7 is a bottom view thereof.

The components in broken lines depict environmental subject matter only and form no part of the claimed design.

1 Claim, 4 Drawing Sheets



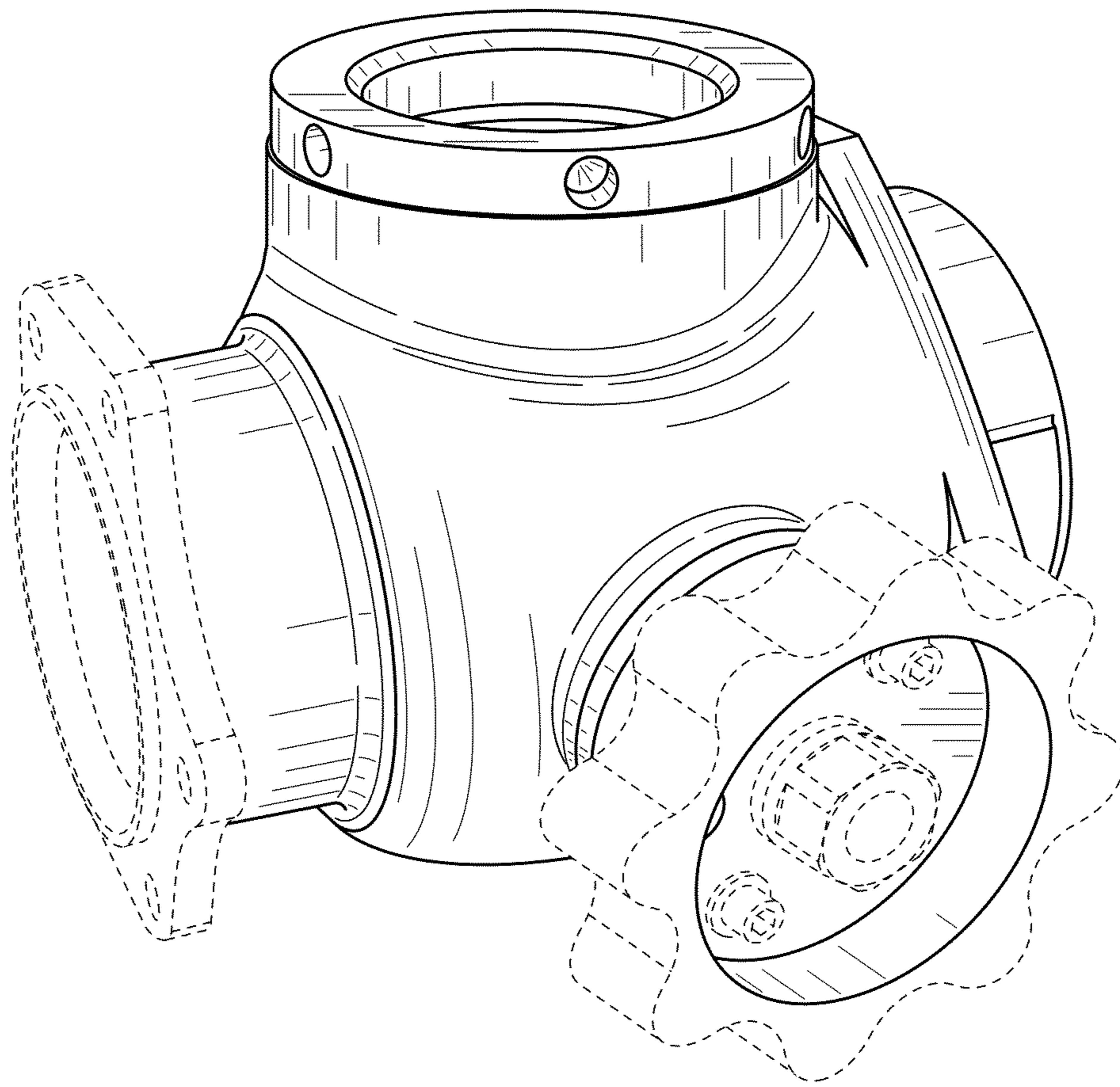


FIG. 1

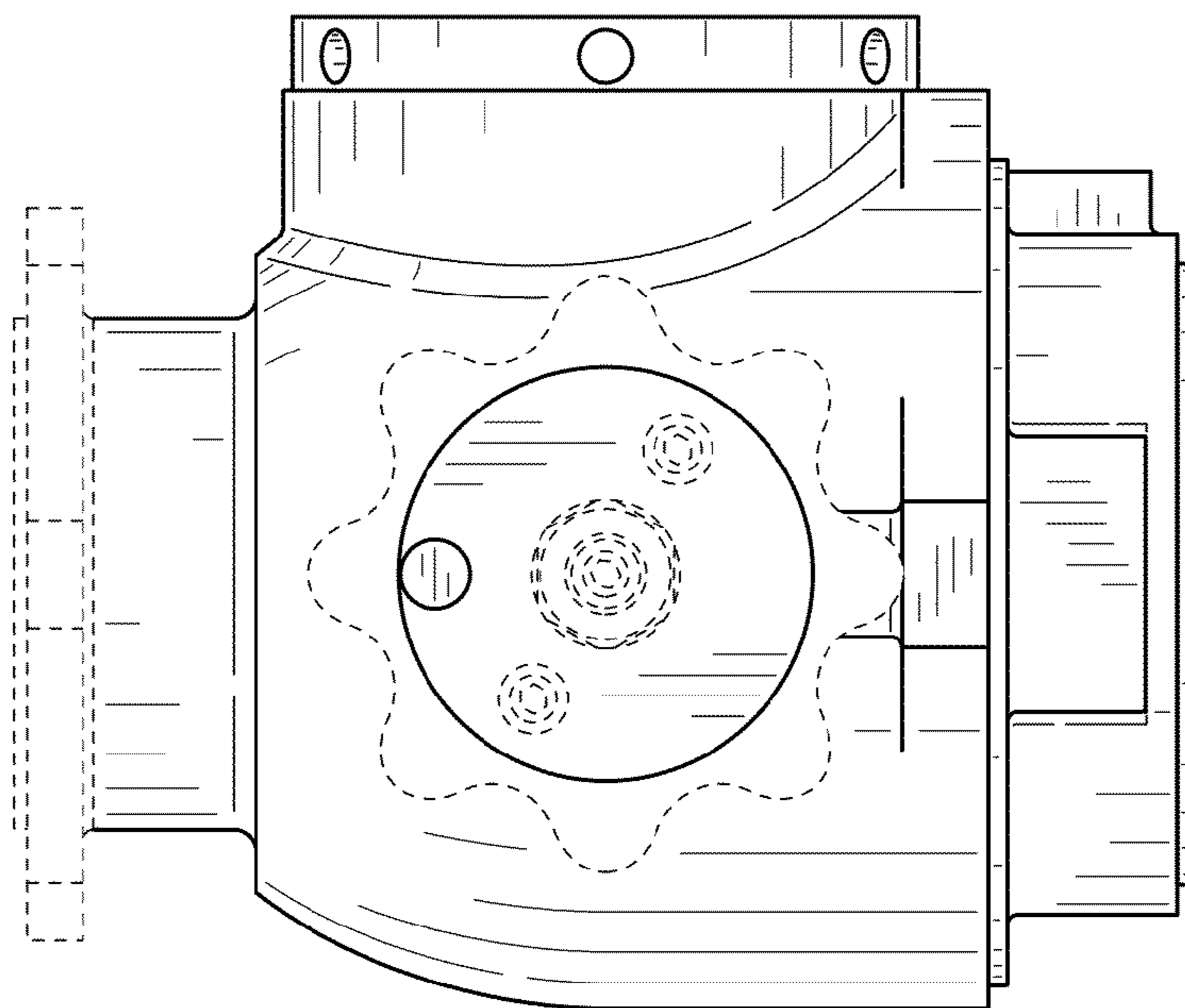


FIG. 2

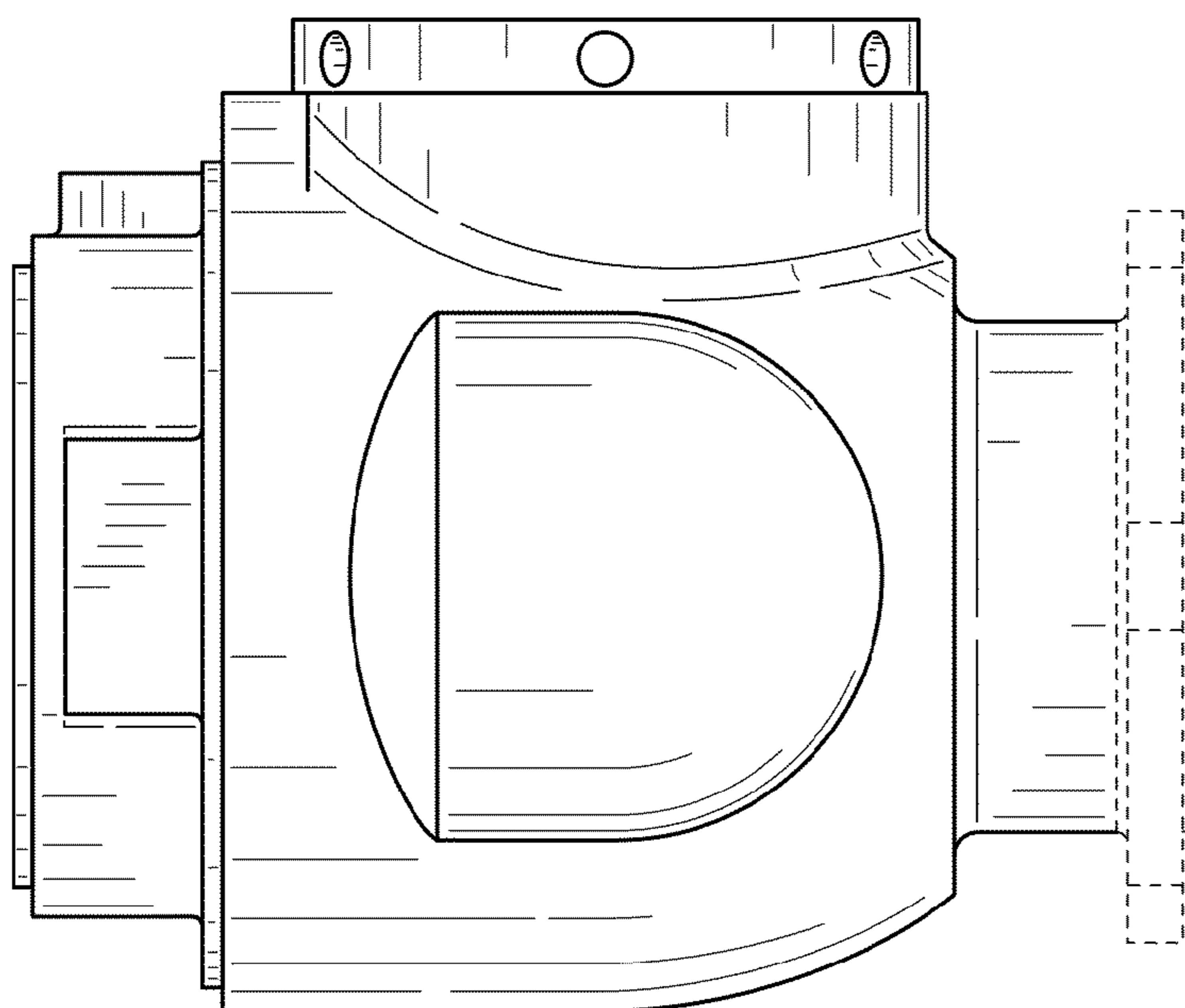


FIG. 3

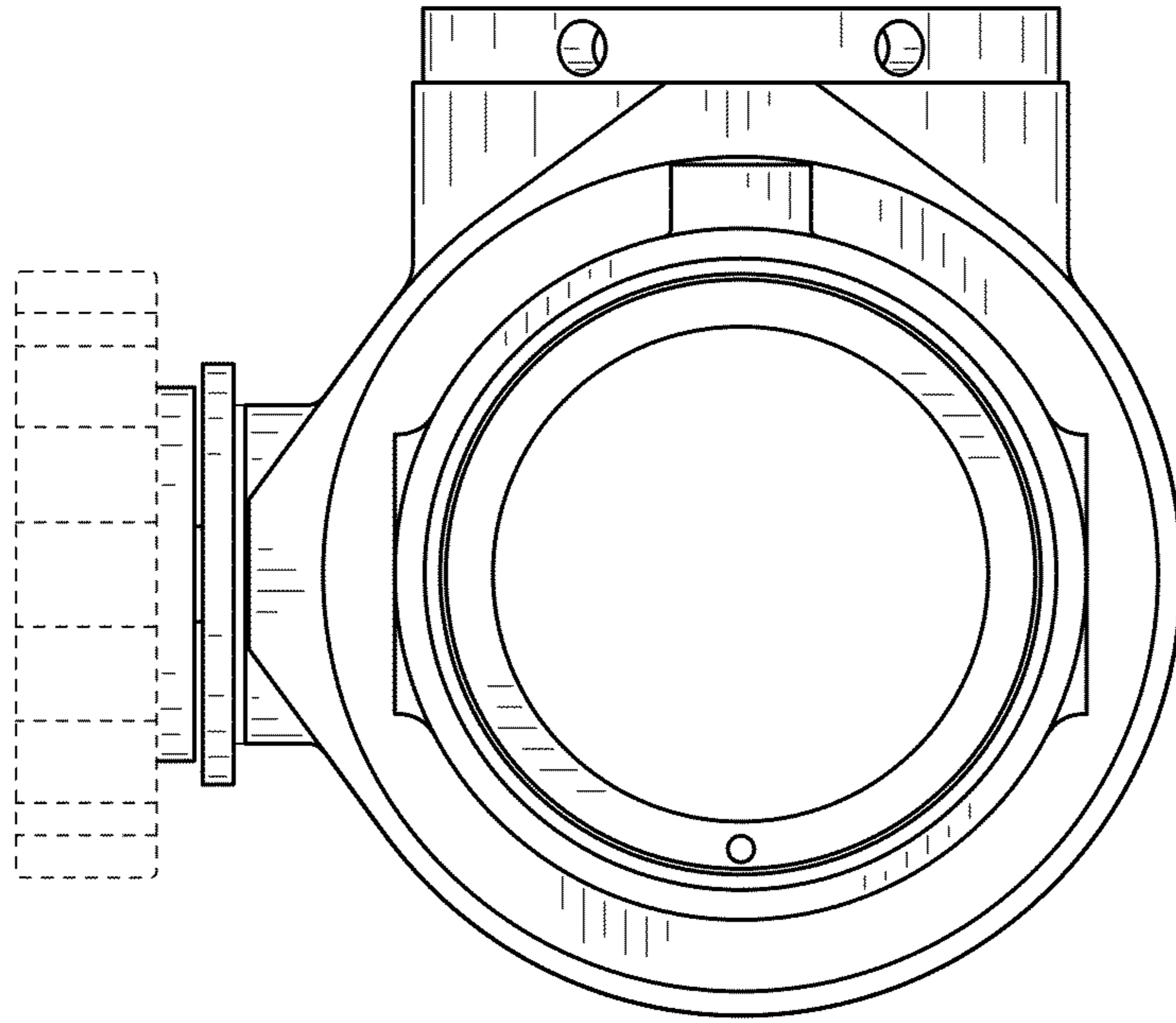


FIG. 4

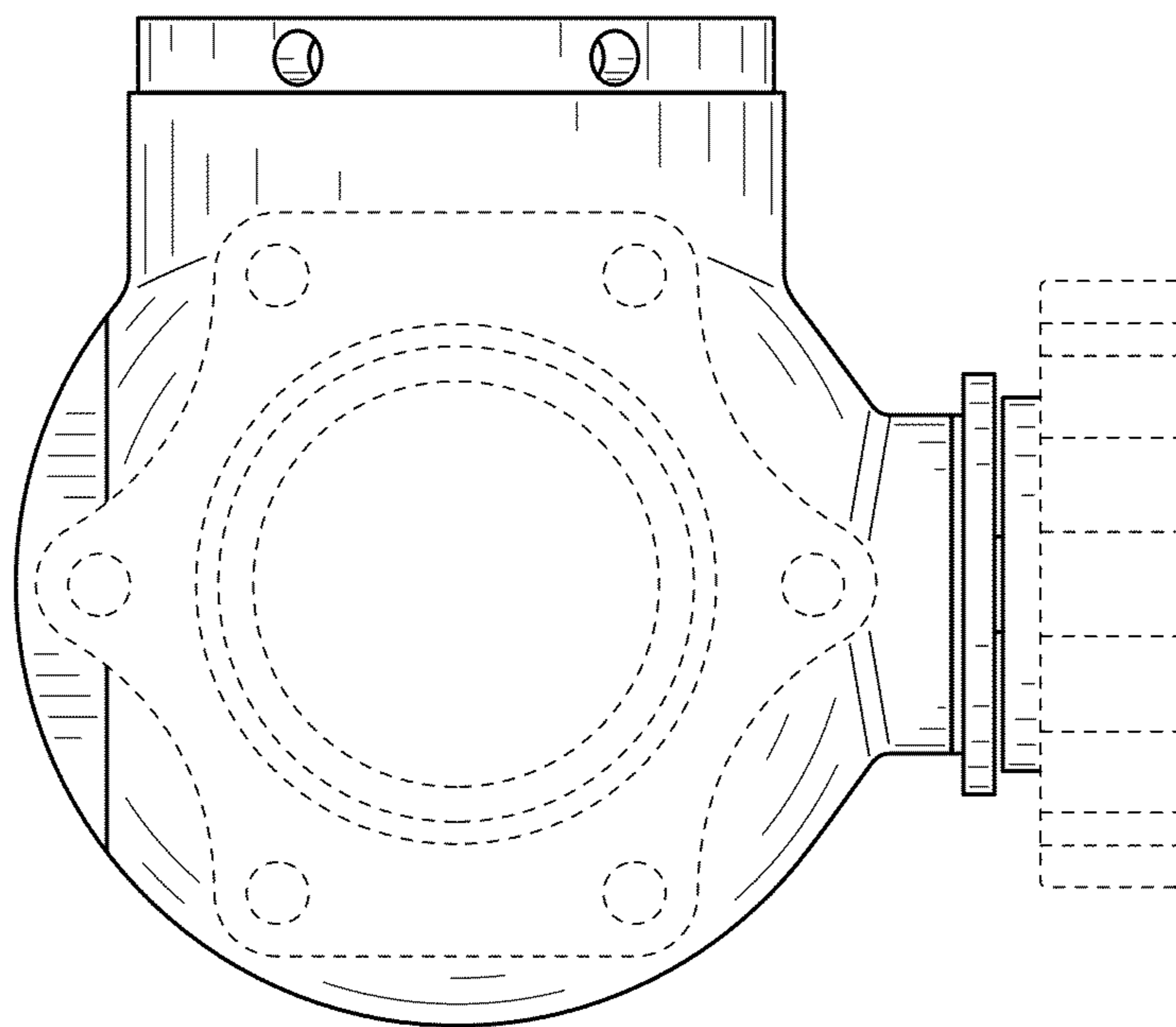


FIG. 5

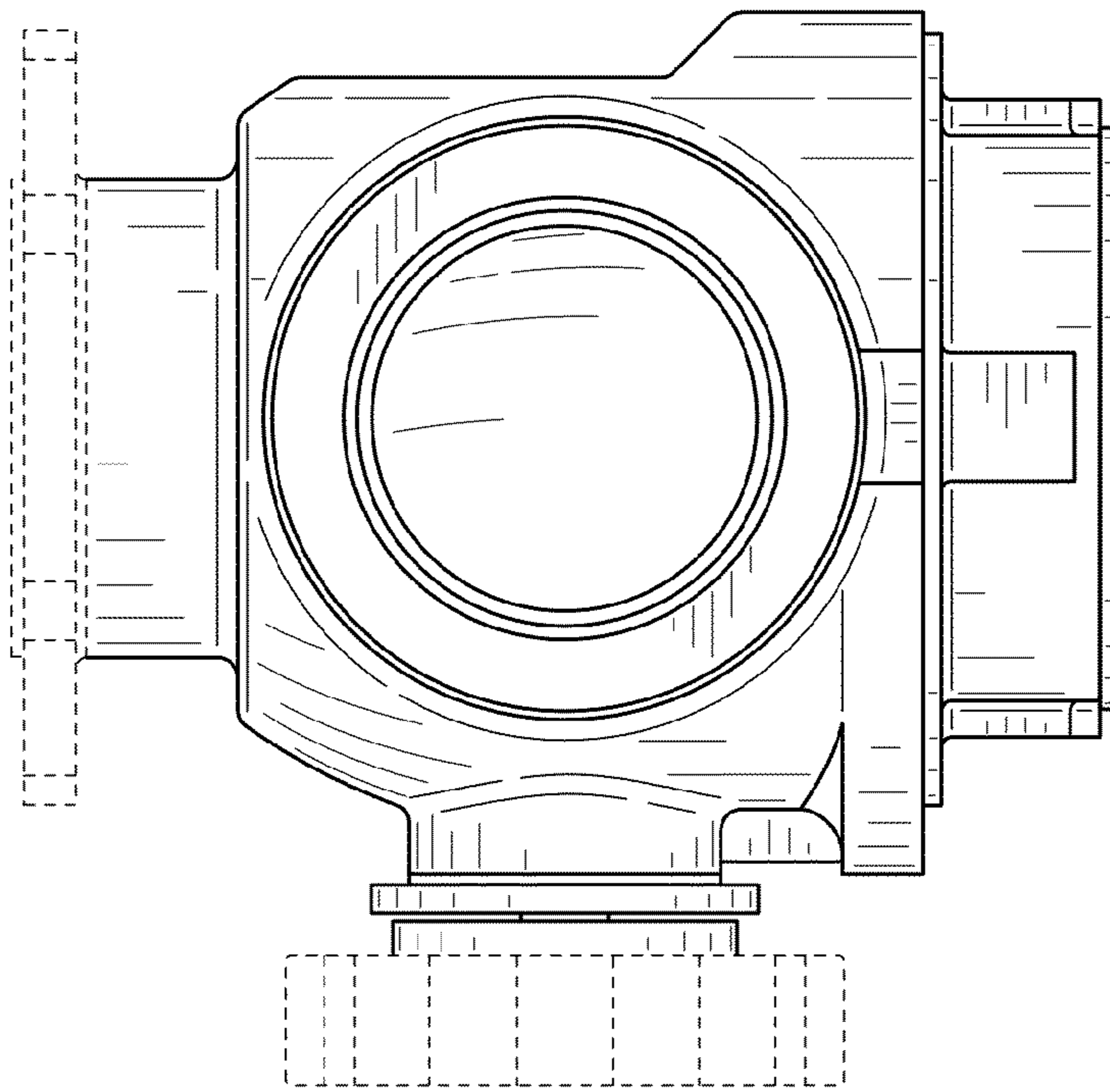


FIG. 6

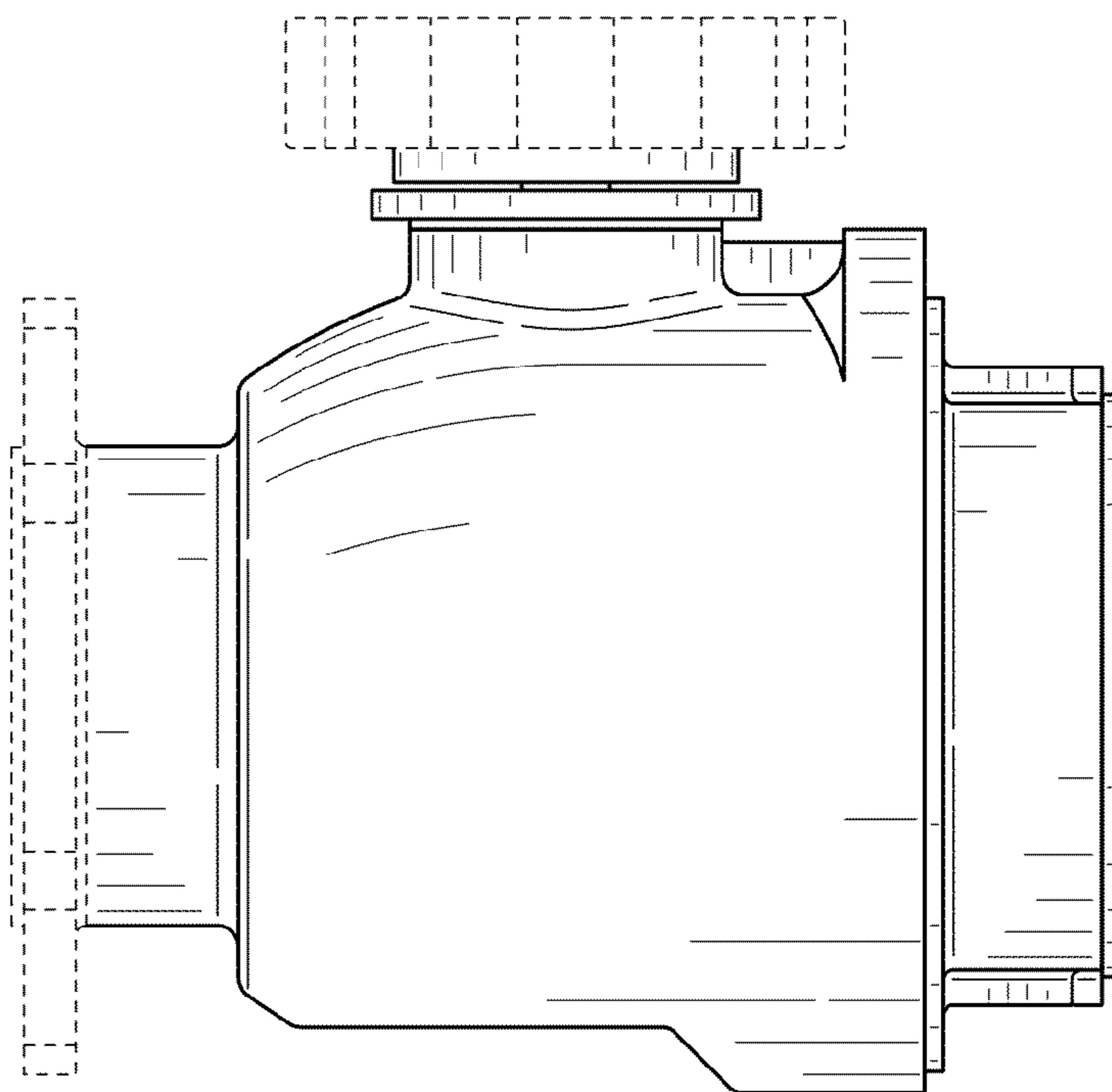


FIG. 7