

US00D692098S

(12) **United States Design Patent**
Fukano et al.

(10) **Patent No.:** **US D692,098 S**
(45) **Date of Patent:** **** Oct. 22, 2013**

(54) **VACUUM SUPPLY CONTROL VALVE**
(75) Inventors: **Yoshihiro Fukano**, Moriya (JP); **Koji Sugano**, Koshigaya (JP); **Masayoshi Yamamoto**, Koshigaya (JP)
(73) Assignee: **SMC Kabushiki Kaisha**, Tokyo (JP)
(**) Term: **14 Years**

7,182,102	B2 *	2/2007	Karcher	137/884
D544,580	S *	6/2007	Matsumoto et al.	D23/233
D599,889	S *	9/2009	Oshima et al.	D23/233
D606,168	S *	12/2009	Miyazoe	D23/233
D621,477	S *	8/2010	Miyazoe et al.	D23/233
D621,910	S *	8/2010	Miyazoe et al.	D23/233
D621,911	S *	8/2010	Miyazoe et al.	D23/233
7,849,881	B2 *	12/2010	Lee et al.	137/884
D653,307	S *	1/2012	Senba	D23/233
D653,308	S *	1/2012	Senba	D23/233
D665,874	S *	8/2012	Senba	D23/233
D668,321	S *	10/2012	Senba	D23/233

(21) Appl. No.: **29/404,632**

(22) Filed: **Oct. 24, 2011**

(30) **Foreign Application Priority Data**

Apr. 25, 2011 (JP) 2011-009490

(51) **LOC (9) Cl.** **23-01**

(52) **U.S. Cl.**
USPC **D23/233**

(58) **Field of Classification Search**
USPC D23/233-237, 244-249; D15/5, 7, 199;
137/554, 557, 882, 884, 343, 625.64,
137/269, 271; 251/12, 130, 129.04, 219,
251/331

See application file for complete search history.

(56) **References Cited**

U.S. PATENT DOCUMENTS

5,810,115	A *	9/1998	Mismas	184/7.4
D409,279	S *	5/1999	Hayashi et al.	D23/233
D427,663	S *	7/2000	Hayashi et al.	D23/233
D443,030	S *	5/2001	Kaneko et al.	D23/233
7,096,889	B1 *	8/2006	Roys	137/884
D532,865	S *	11/2006	Miyazoe et al.	D23/233
D533,628	S *	12/2006	Miyazoe et al.	D23/233

FOREIGN PATENT DOCUMENTS

JP D1367699 8/2009

* cited by examiner

Primary Examiner — Cynthia Ramirez

(74) *Attorney, Agent, or Firm* — Holtz, Holtz, Goodman & Chick, PC

(57) **CLAIM**

The ornamental design for a vacuum supply control valve, as shown.

DESCRIPTION

FIG. 1 is a front, top and right-side perspective view of a vacuum supply control valve showing our new design; FIG. 2 is a rear, bottom and left-side perspective view thereof; FIG. 3 is a front view thereof; FIG. 4 is a rear view thereof; FIG. 5 is a top plan view thereof; FIG. 6 is a bottom plan view thereof; FIG. 7 is a left side view thereof; and, FIG. 8 is a right side view thereof.

1 Claim, 8 Drawing Sheets

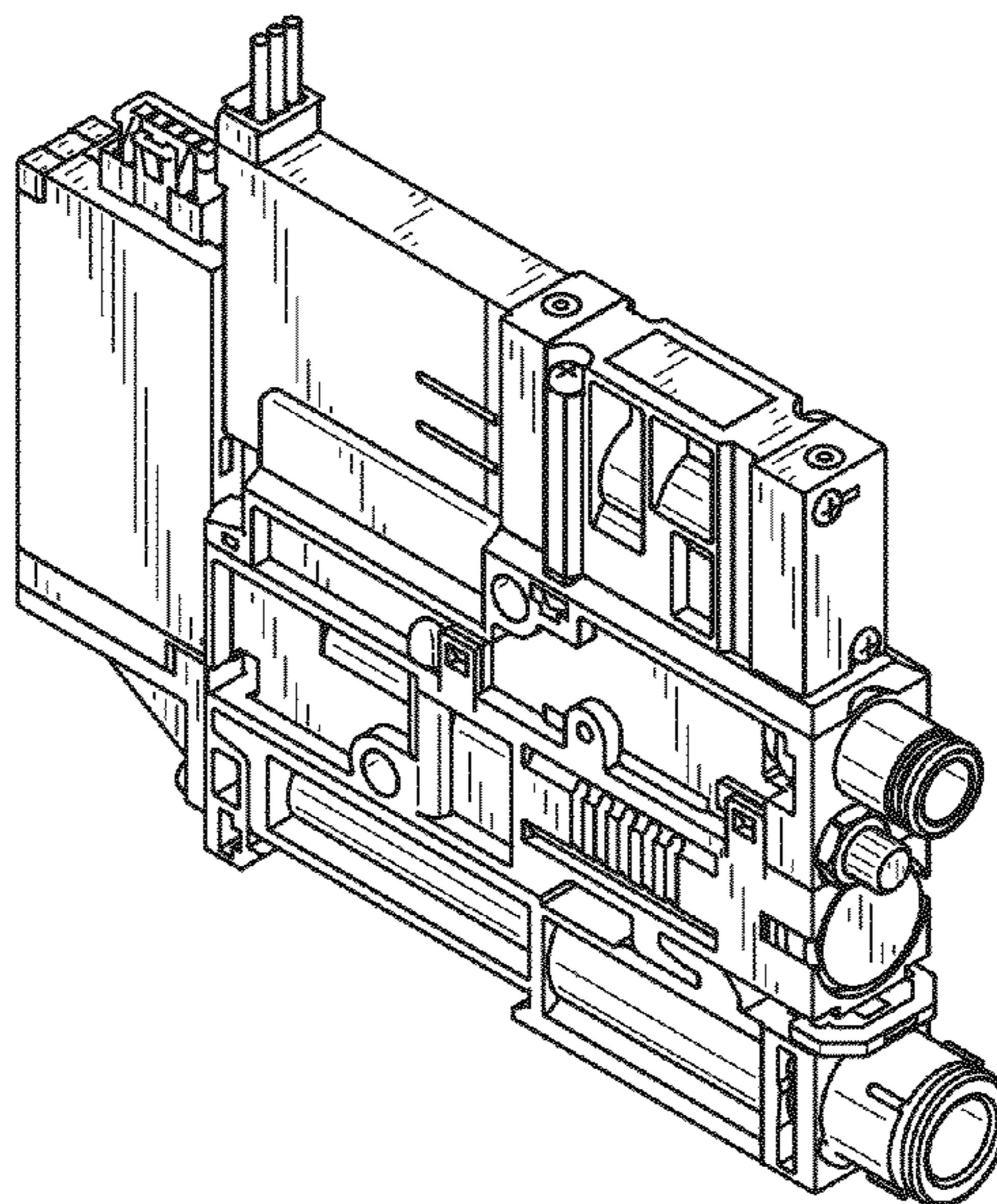


FIG. 1

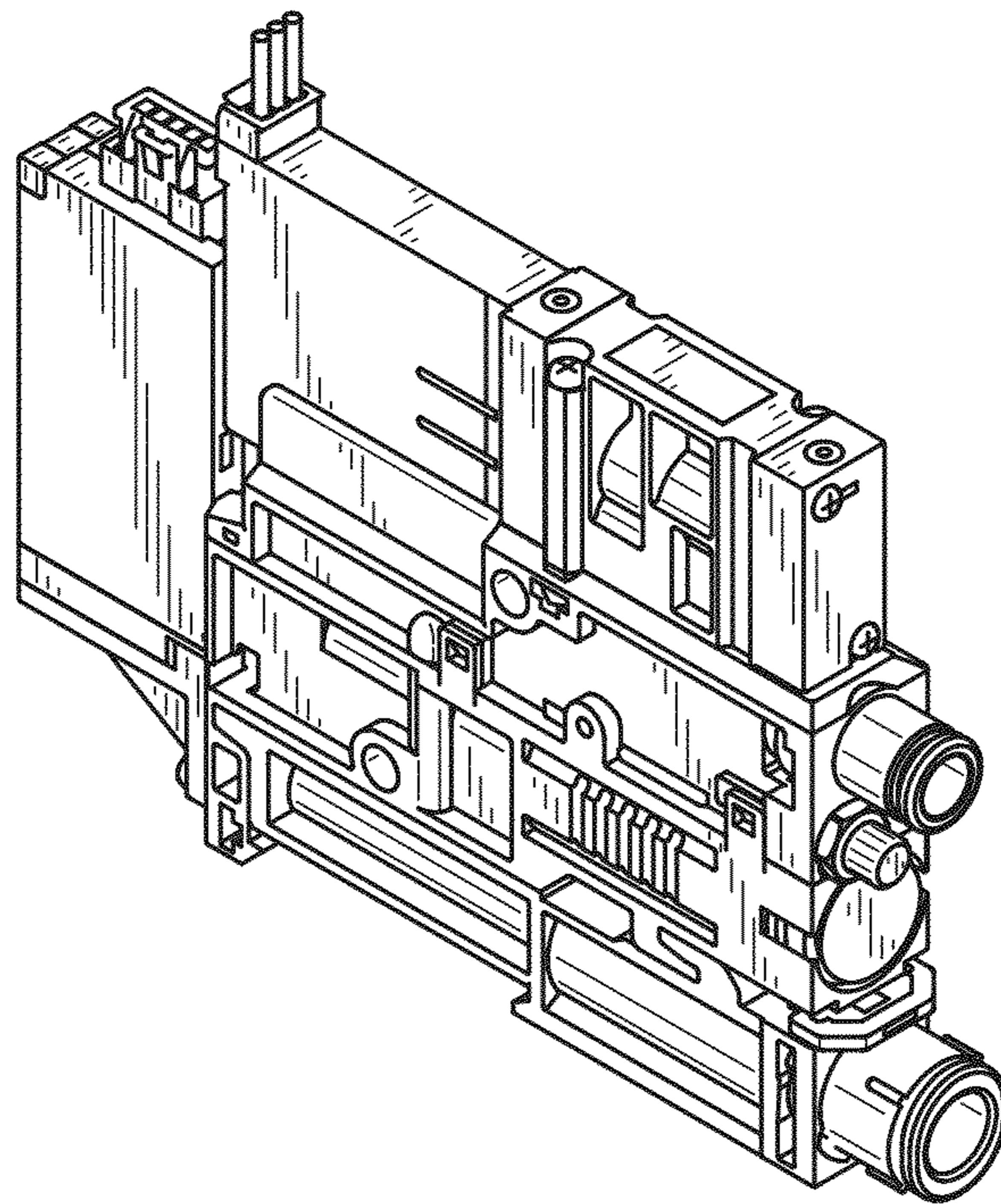


FIG. 2

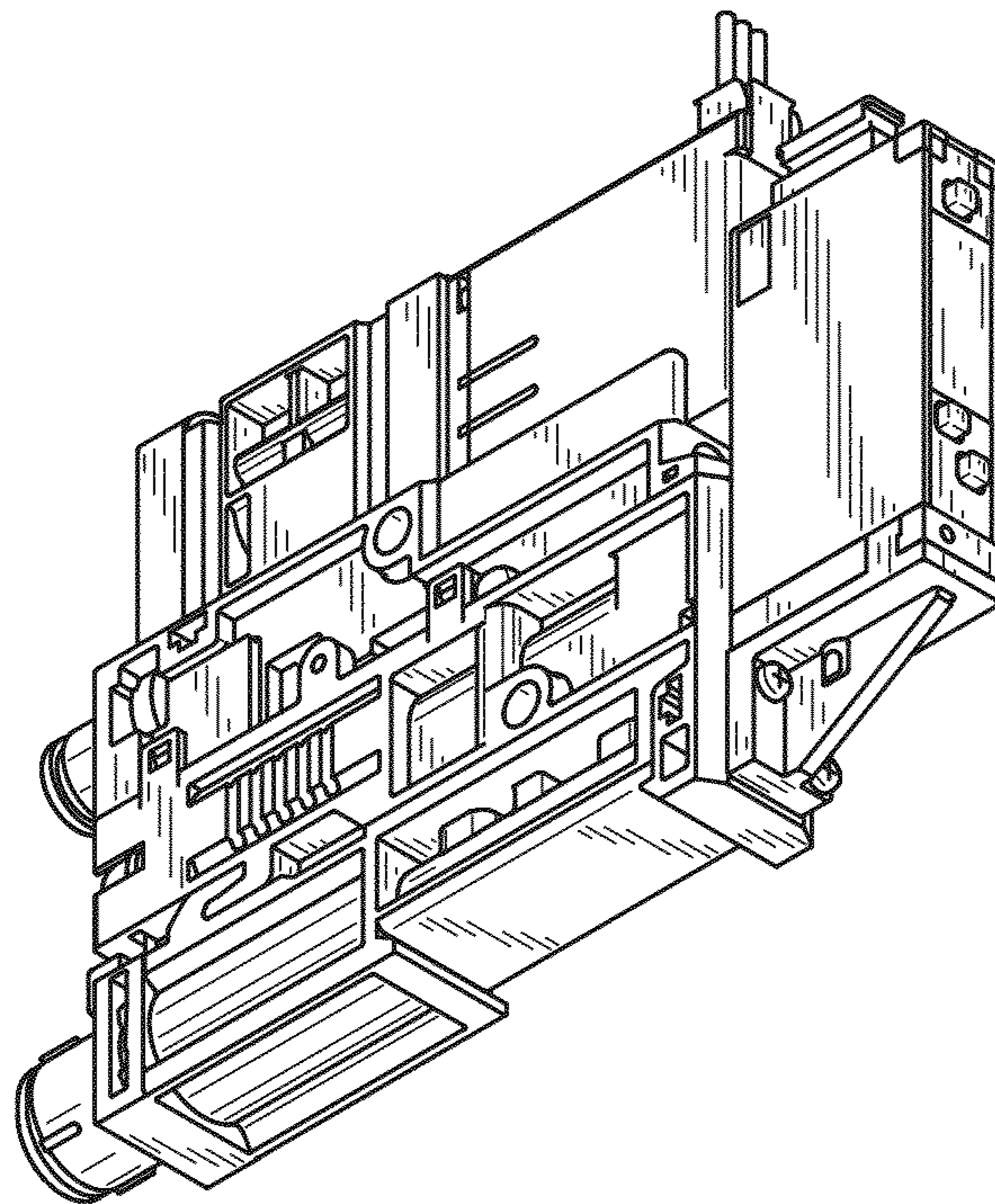


FIG. 3

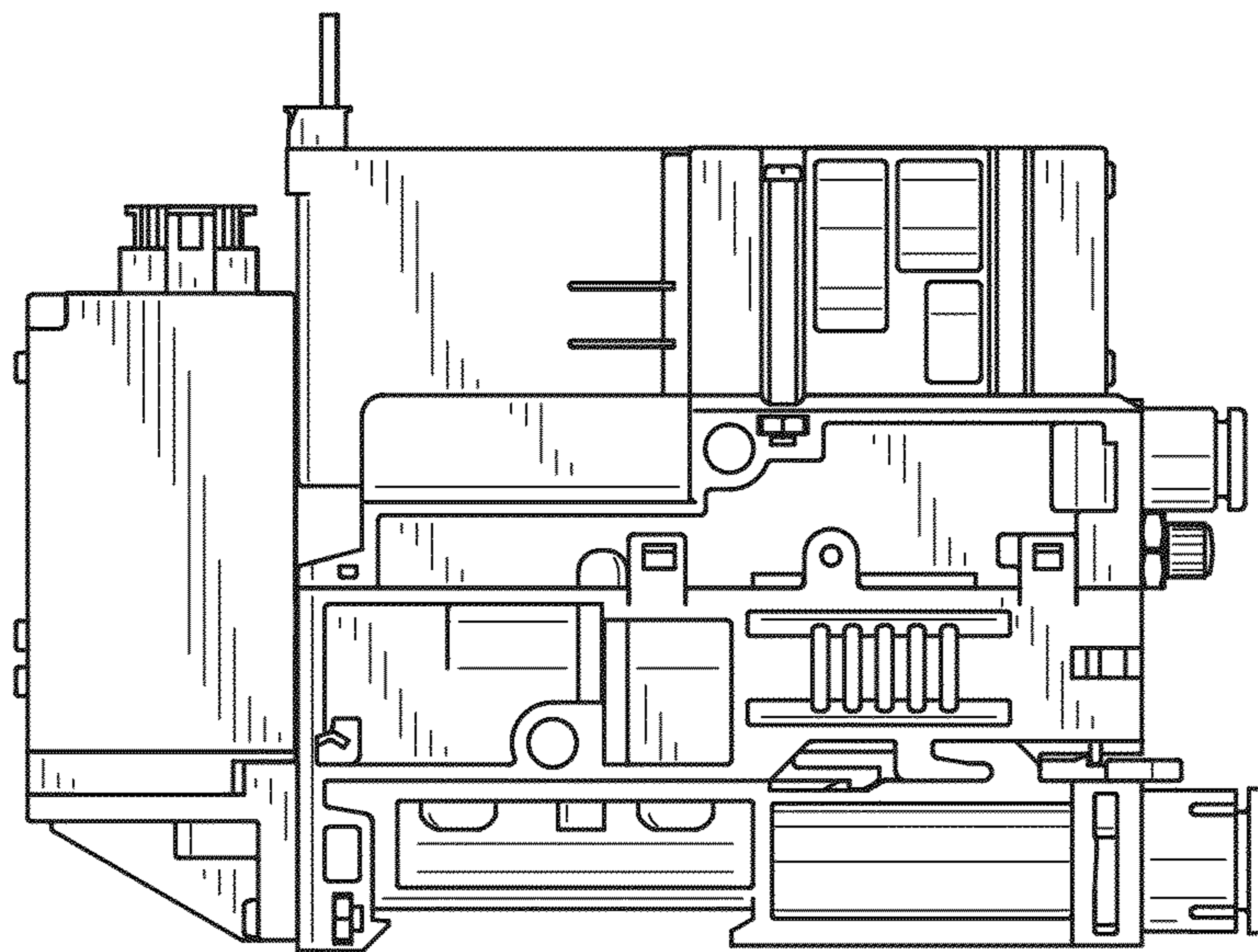


FIG. 4

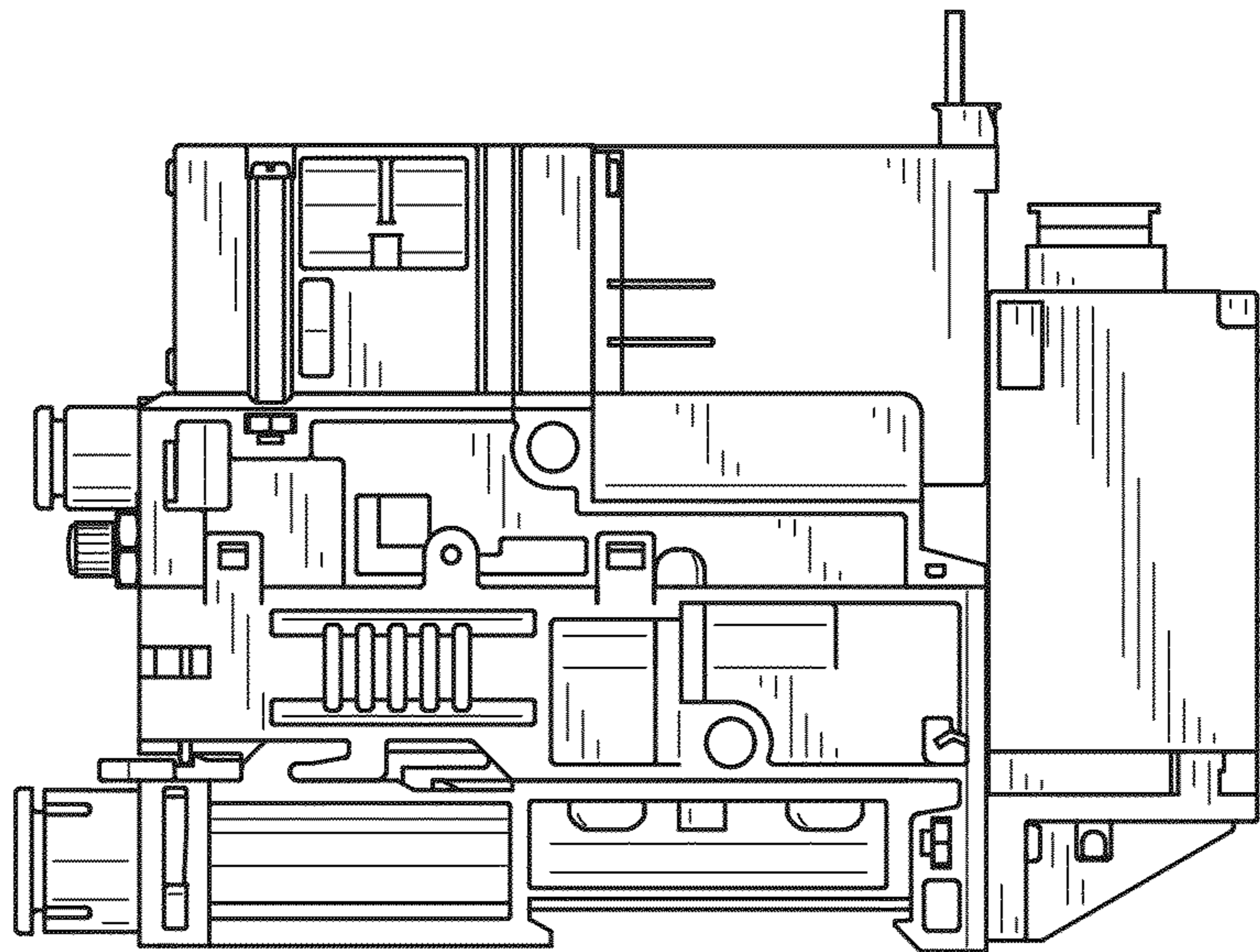


FIG. 5

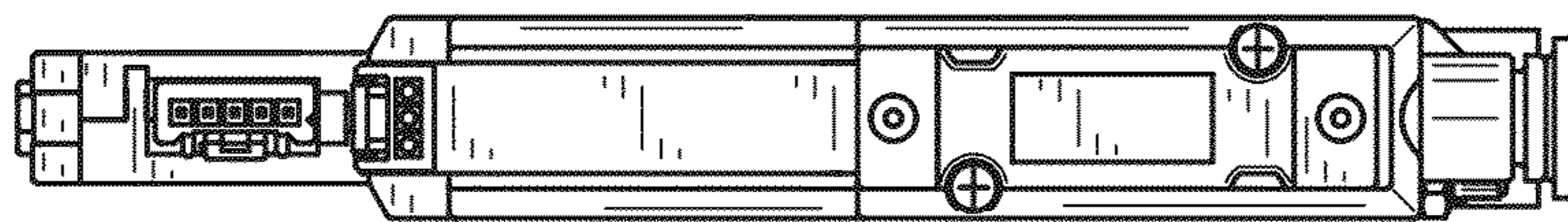


FIG. 6

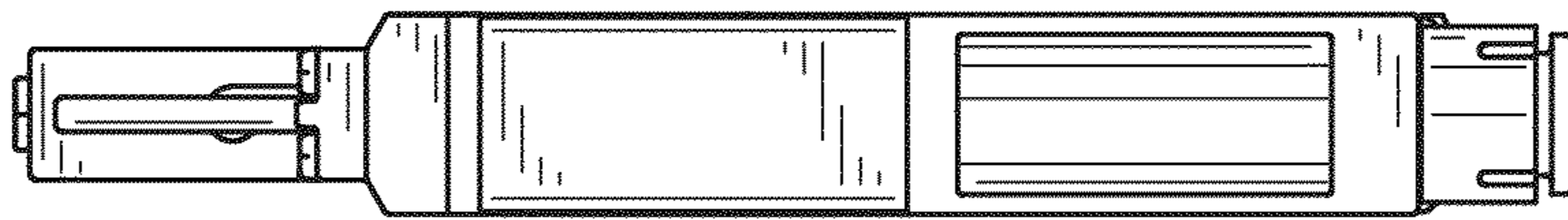


FIG. 7

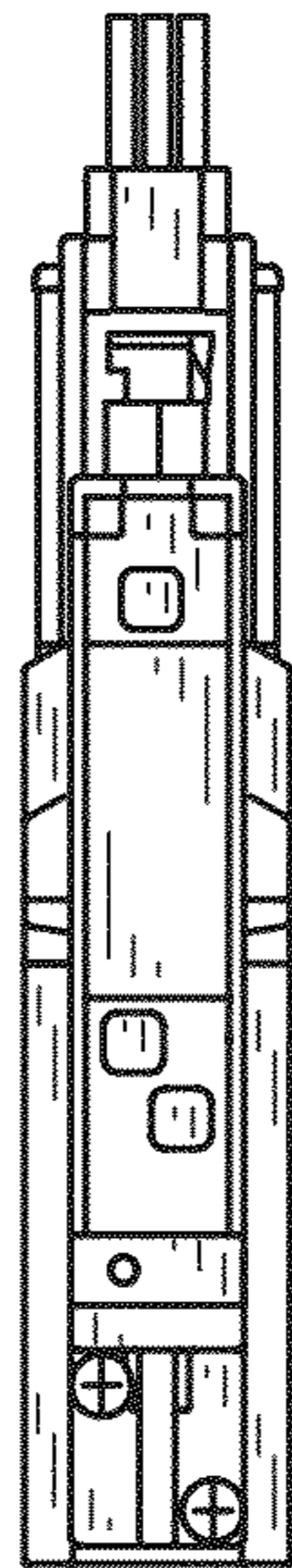


FIG. 8

