



US00D692093S

(12) **United States Design Patent**
Pritchard

(10) **Patent No.:** **US D692,093 S**

(45) **Date of Patent:** **** Oct. 22, 2013**

(54) **WATER CONTAINER**

(71) Applicant: **Pritchard IP Limited**, Colchester (GB)

(72) Inventor: **Michael William Pritchard**, Langham (GB)

(73) Assignee: **Pritchard IP Limited**, Colchester (GB)

(**) Term: **14 Years**

(21) Appl. No.: **29/451,769**

(22) Filed: **Apr. 8, 2013**

(51) **LOC (9) Cl.** **23-01**

(52) **U.S. Cl.**
USPC **D23/202**

(58) **Field of Classification Search**
USPC D23/202, 207, 211.1; 210/85, 109, 110,
210/532.1, 532.2
See application file for complete search history.

(56) **References Cited**

U.S. PATENT DOCUMENTS

D133,850 S * 9/1942 Clements et al. D23/211.1
D214,021 S * 5/1969 Bacialli D23/211.1
D225,511 S * 12/1972 Brown D7/313

5,120,437 A * 6/1992 Williams 210/244
D333,177 S * 2/1993 Poirier D23/211.1
D498,815 S * 11/2004 Greer D23/203
7,837,865 B2 * 11/2010 Wadstrom 210/85
D636,056 S * 4/2011 Pritchard D23/211.1
D651,278 S * 12/2011 Graves D23/202
D652,111 S * 1/2012 DeLorme D23/225

* cited by examiner

Primary Examiner — Robin V Webster

(74) *Attorney, Agent, or Firm* — Kenyon & Kenyon LLP

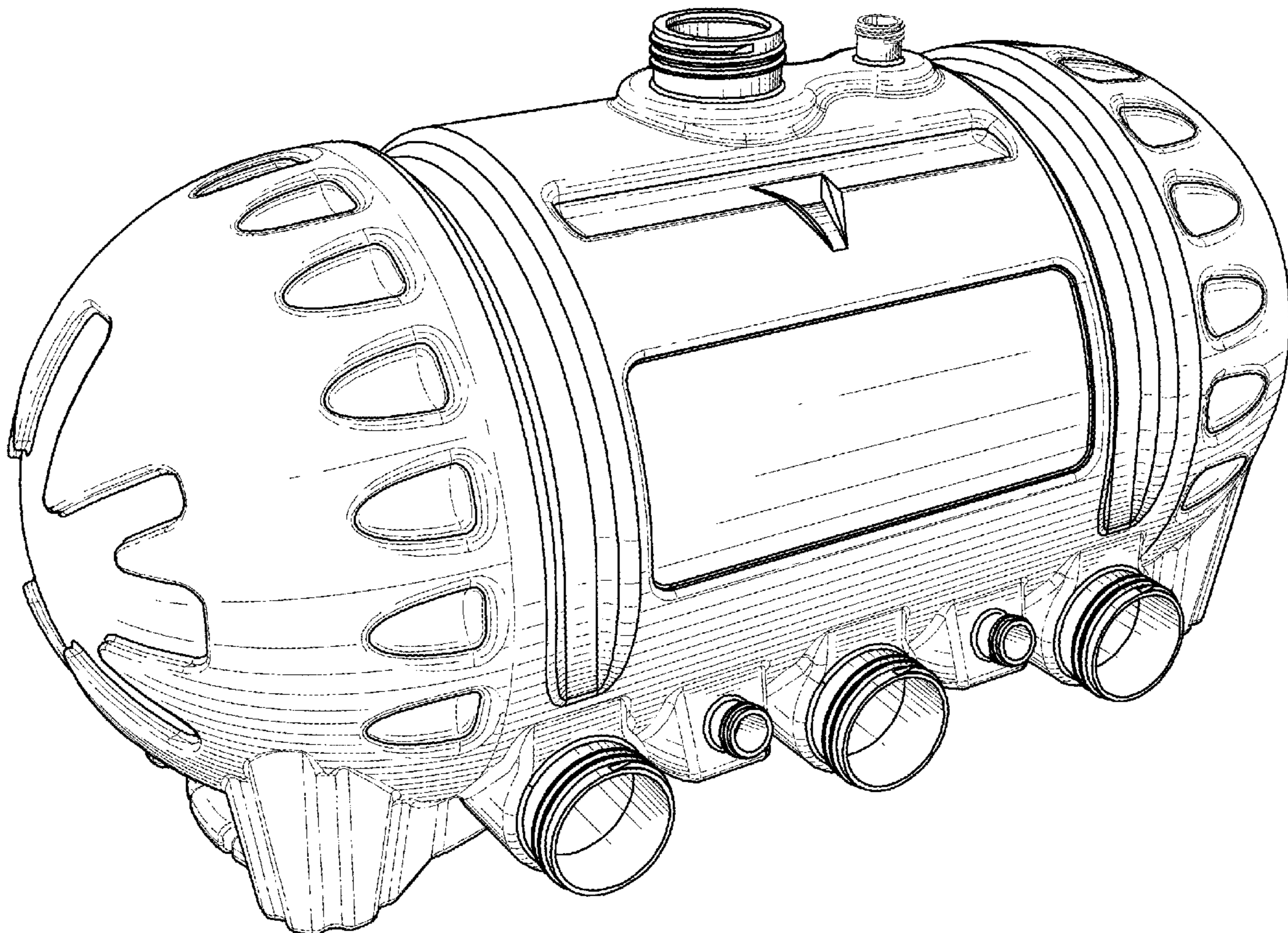
(57) **CLAIM**

The ornamental design for a water container, as shown and described.

DESCRIPTION

FIG. 1 is a perspective view of a water container;
FIG. 2 is a front view thereof;
FIG. 3 is a back view thereof;
FIG. 4 is a top view thereof;
FIG. 5 is bottom view thereof;
FIG. 6 is a side view thereof; and,
FIG. 7 is another side view thereof.

1 Claim, 6 Drawing Sheets



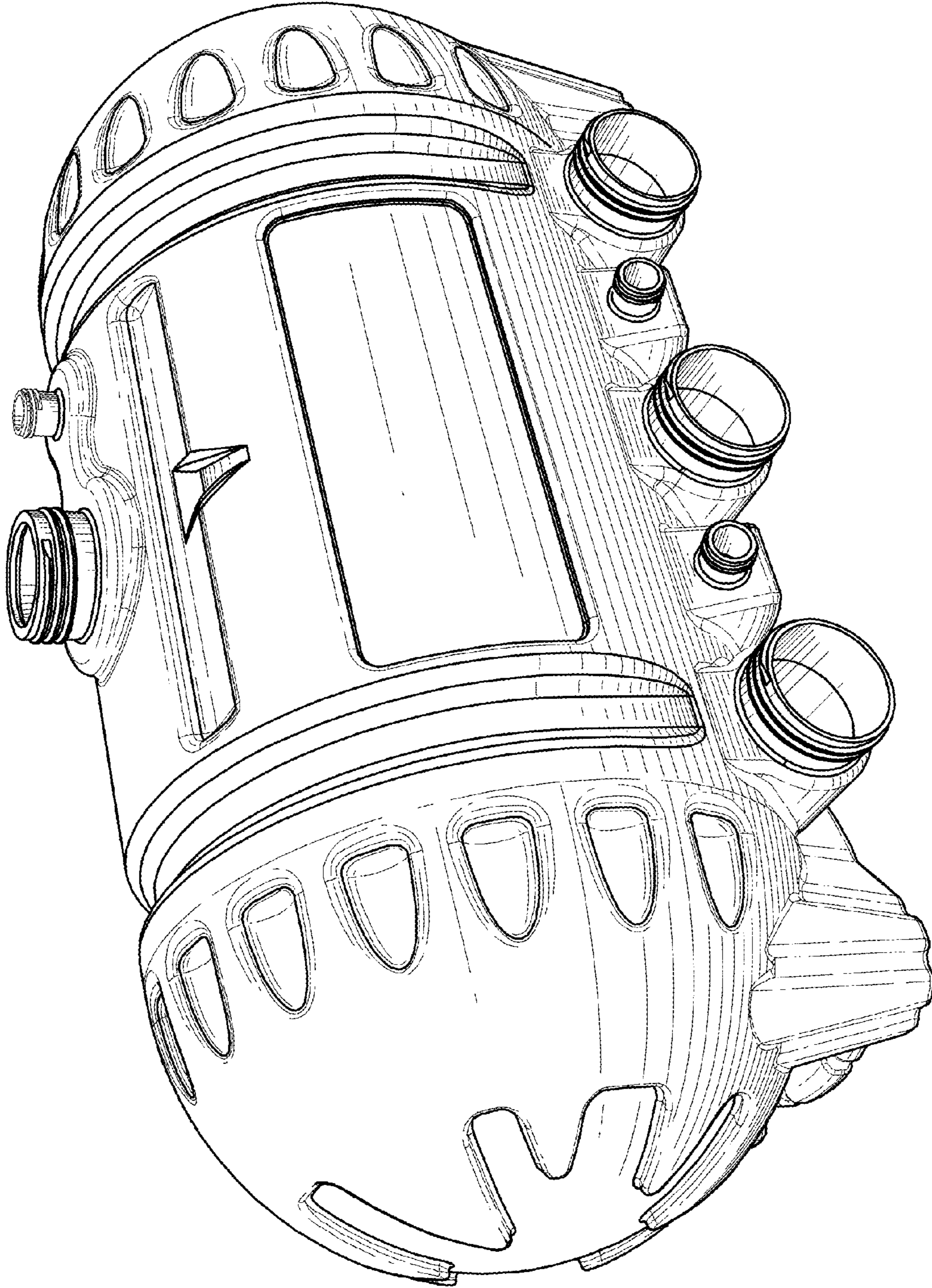


FIG. 1

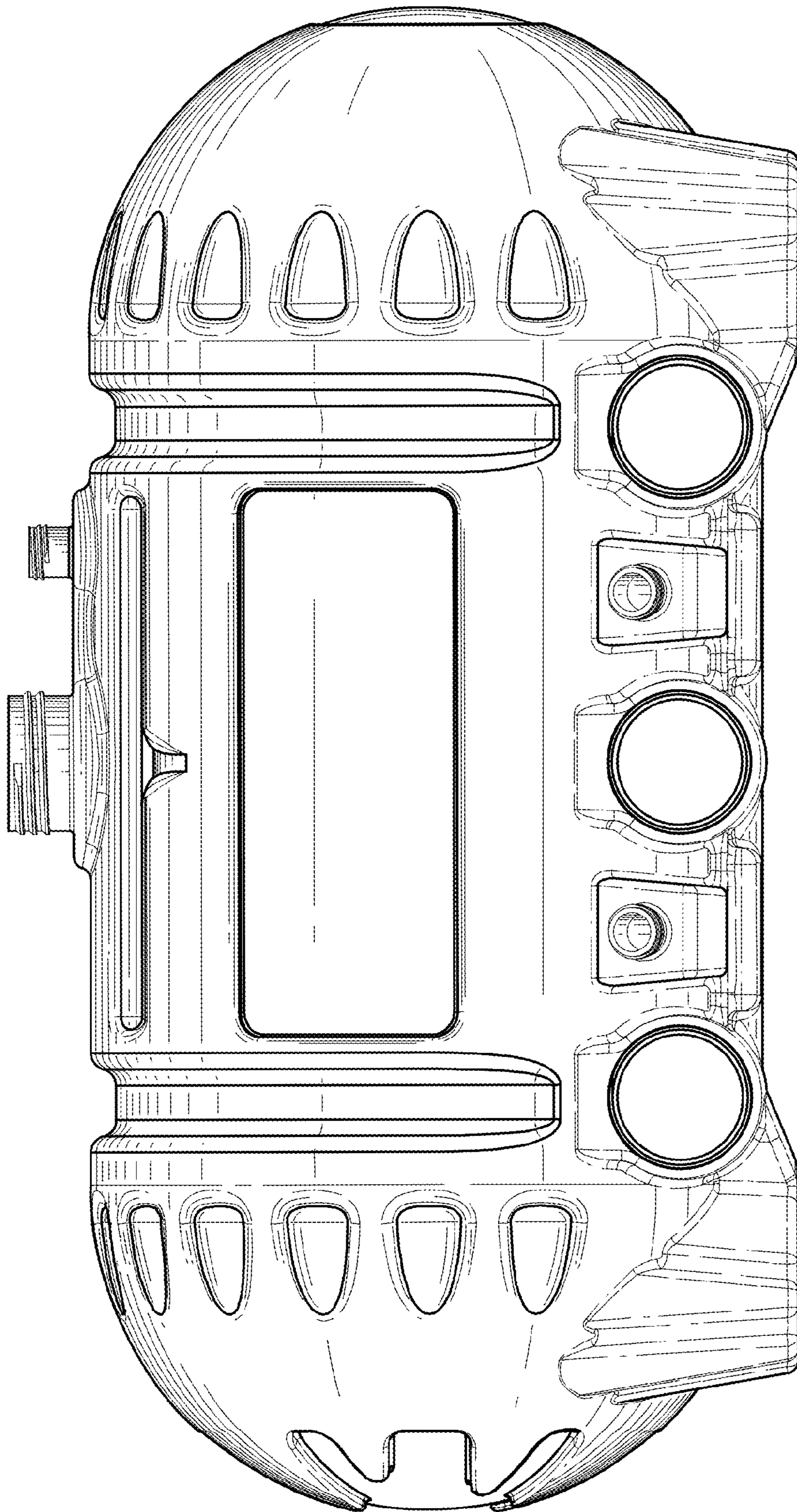


FIG. 2

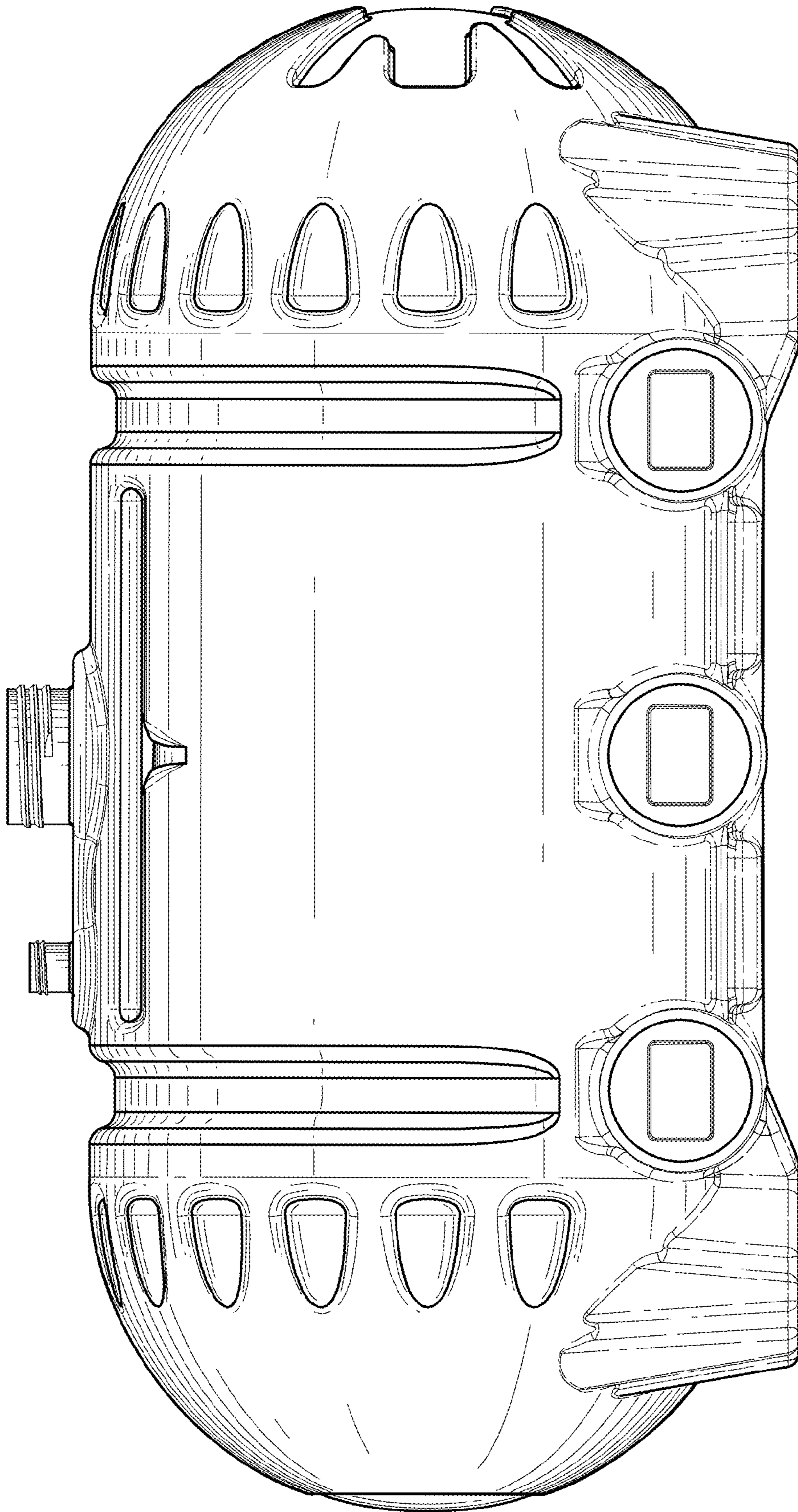


FIG. 3

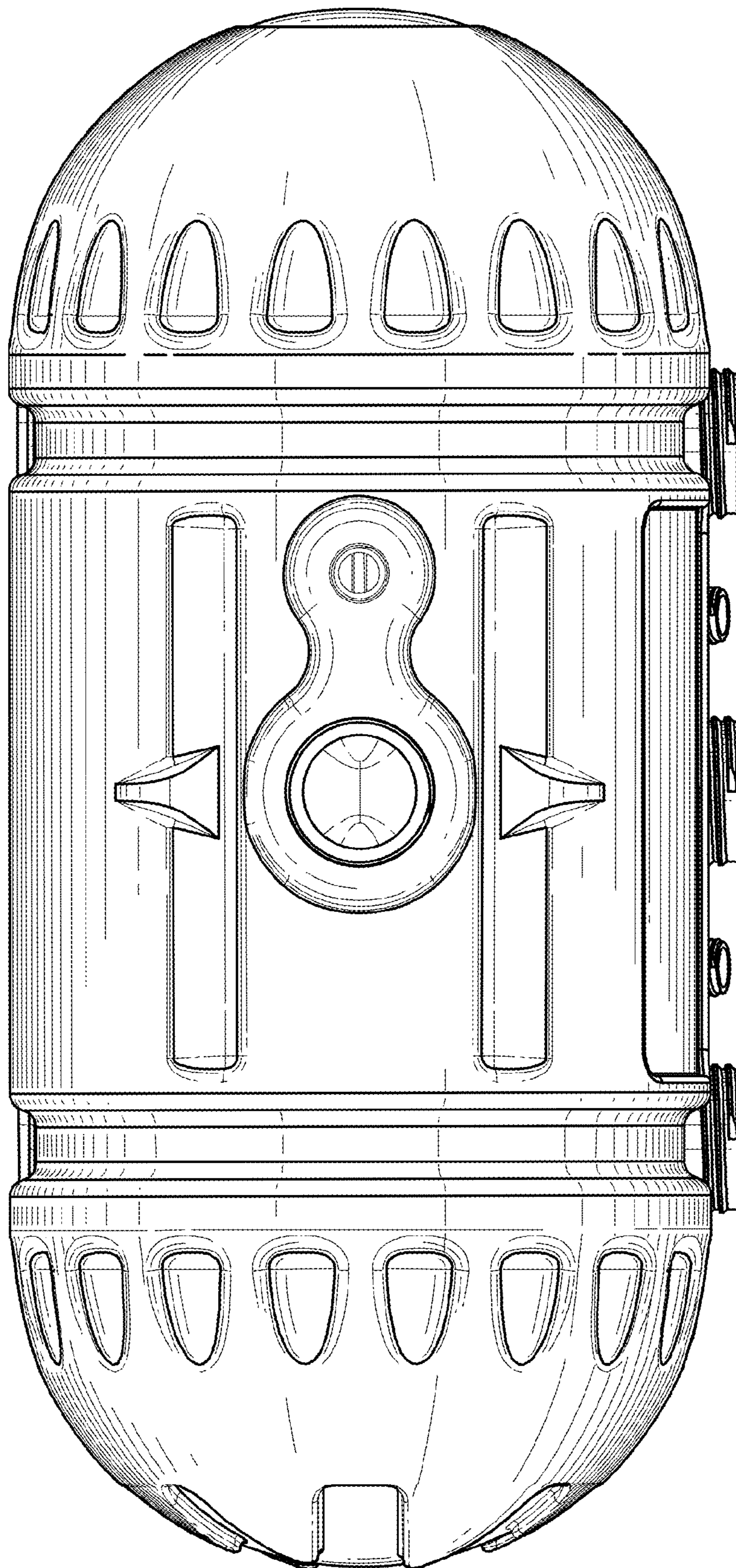


FIG. 4

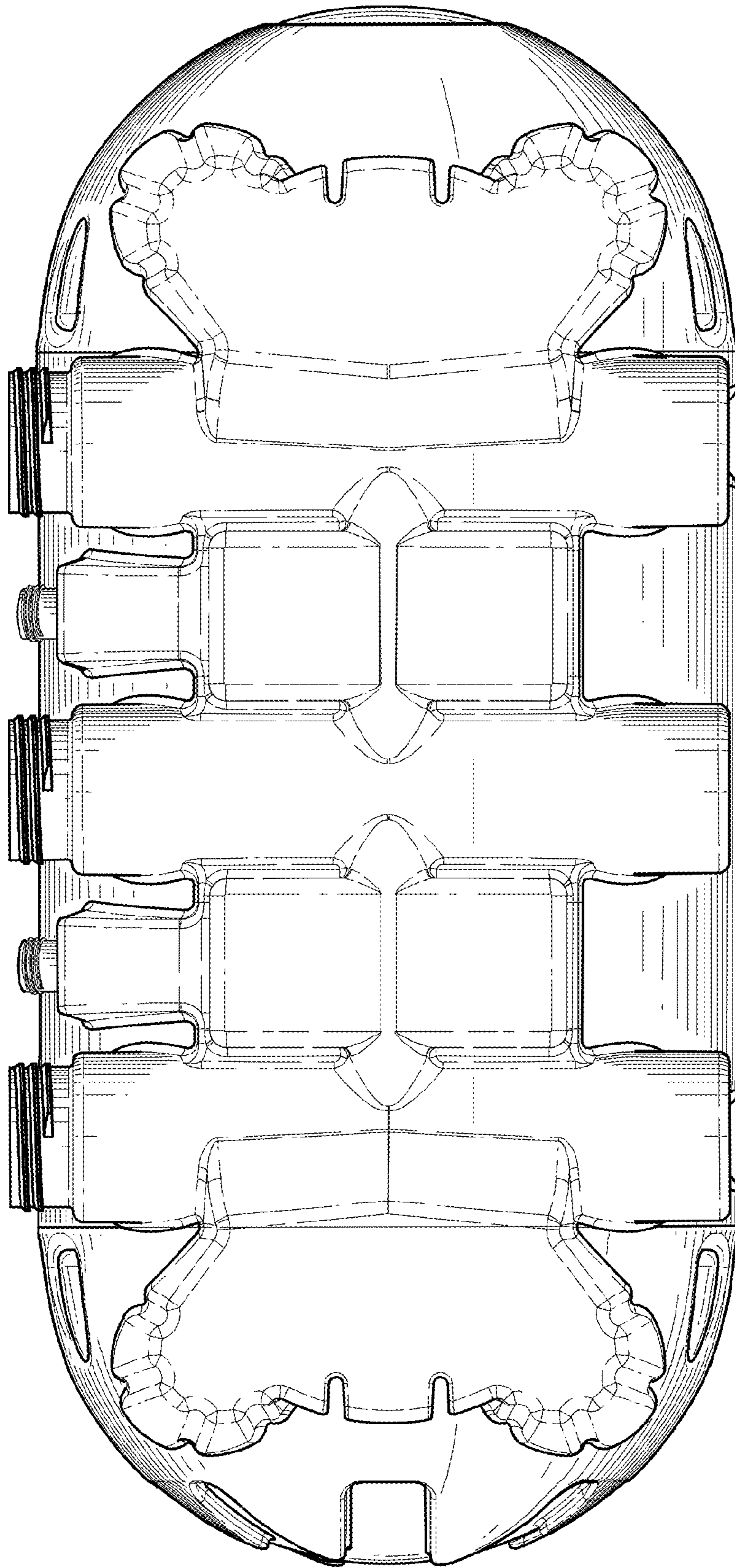


FIG. 5

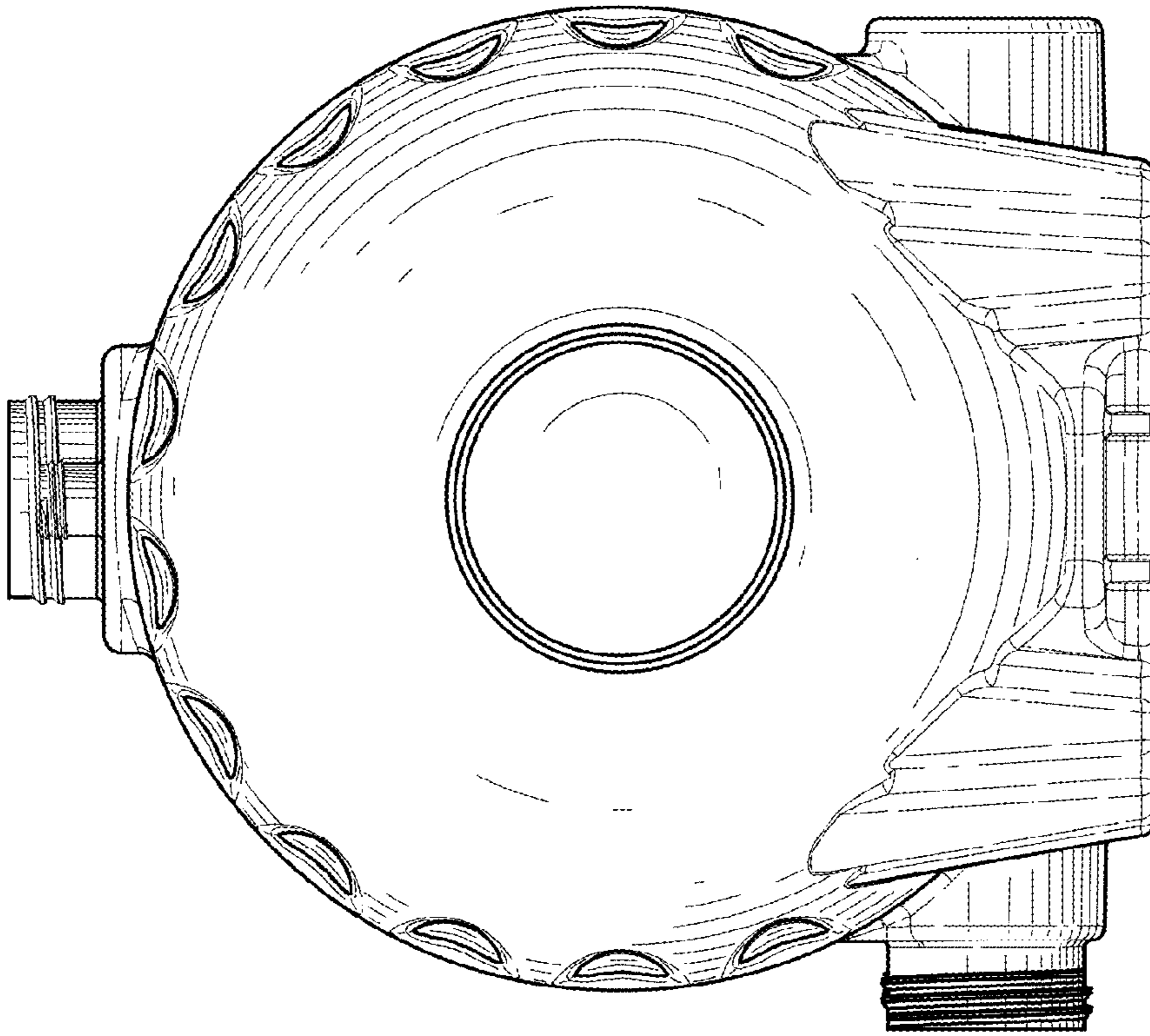


FIG. 7

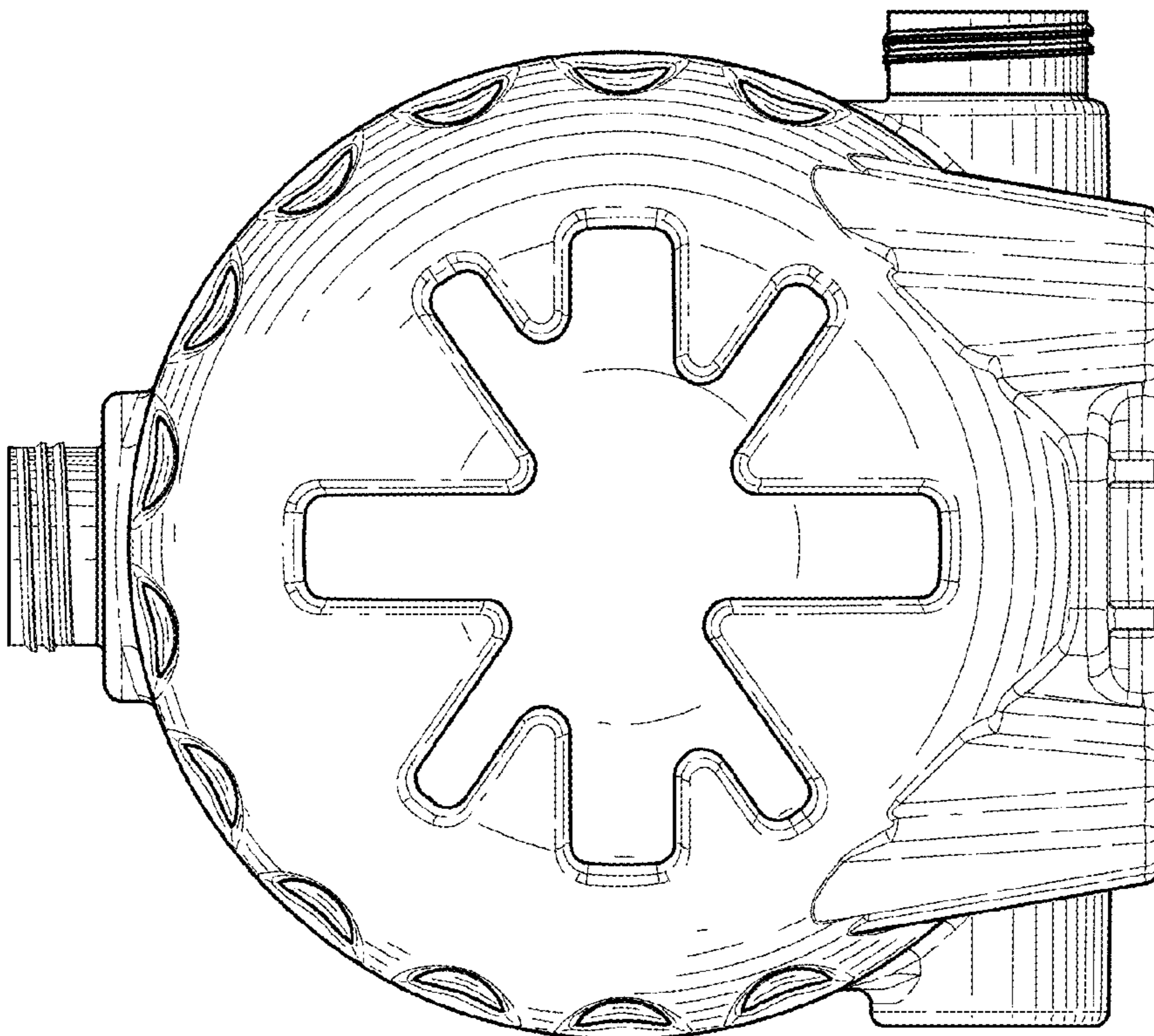


FIG. 6