



US00D692091S

(12) **United States Design Patent**
Thomas

(10) **Patent No.:** **US D692,091 S**

(45) **Date of Patent:** **** Oct. 22, 2013**

(54) **SNAG-LESS FISHING ROD GUIDE DESIGN**

(71) Applicant: **Dee Thomas Fishing LLC**, Palo Alto, CA (US)

(72) Inventor: **Bailus Dee Thomas**, Brentwood, CA (US)

(73) Assignee: **Dee Thomas Fishing LLC**, Palo Alto, CA (US)

(**) Term: **14 Years**

(21) Appl. No.: **29/434,872**

(22) Filed: **Oct. 17, 2012**

Related U.S. Application Data

(62) Division of application No. 29/366,085, filed on Jul. 19, 2010, now Pat. No. Des. 672,007.

(51) **LOC (9) Cl.** **22-05**

(52) **U.S. Cl.**
USPC **D22/143**

(58) **Field of Classification Search**
USPC D22/143, 137-142; 43/24; 242/157 R
See application file for complete search history.

(56) **References Cited**

U.S. PATENT DOCUMENTS

D141,643	S	*	6/1945	Sarkisian	D22/143
2,398,862	A	*	4/1946	Sarkisian	43/24
2,721,412	A	*	10/1955	Smiley	43/24
2,775,054	A	*	12/1956	Shinbane	43/24
2,778,141	A	*	1/1957	Haas	43/24
3,060,618	A	*	10/1962	Grishkin	43/24
3,099,889	A	*	8/1963	Verneuil	43/24
D223,662	S	*	5/1972	Coalson	D22/143
4,070,785	A	*	1/1978	Hawk	43/24

* cited by examiner

Primary Examiner — Catheri Oliver-Garcia

(74) *Attorney, Agent, or Firm* — Richard T. Ogawa; Ogawa P.C.

(57) **CLAIM**

The ornamental design for snag-less fishing rod guide design, as shown and described.

DESCRIPTION

FIG. 1 is a perspective view of a first embodiment of the snag-less fishing rod guide design;

FIG. 2 is an additional perspective view thereof, with an additional guide and a fishing rod being shown in broken lines;

FIG. 3 is a side view;

FIG. 4 is a top view;

FIG. 5 is a bottom view;

FIG. 6 is a front view;

FIG. 7 is a perspective view of a second embodiment of the snag-less fishing rod guide design;

FIG. 8 is an additional perspective view thereof, with an additional guide and a fishing rod being shown in broken lines;

FIG. 9 is a side view;

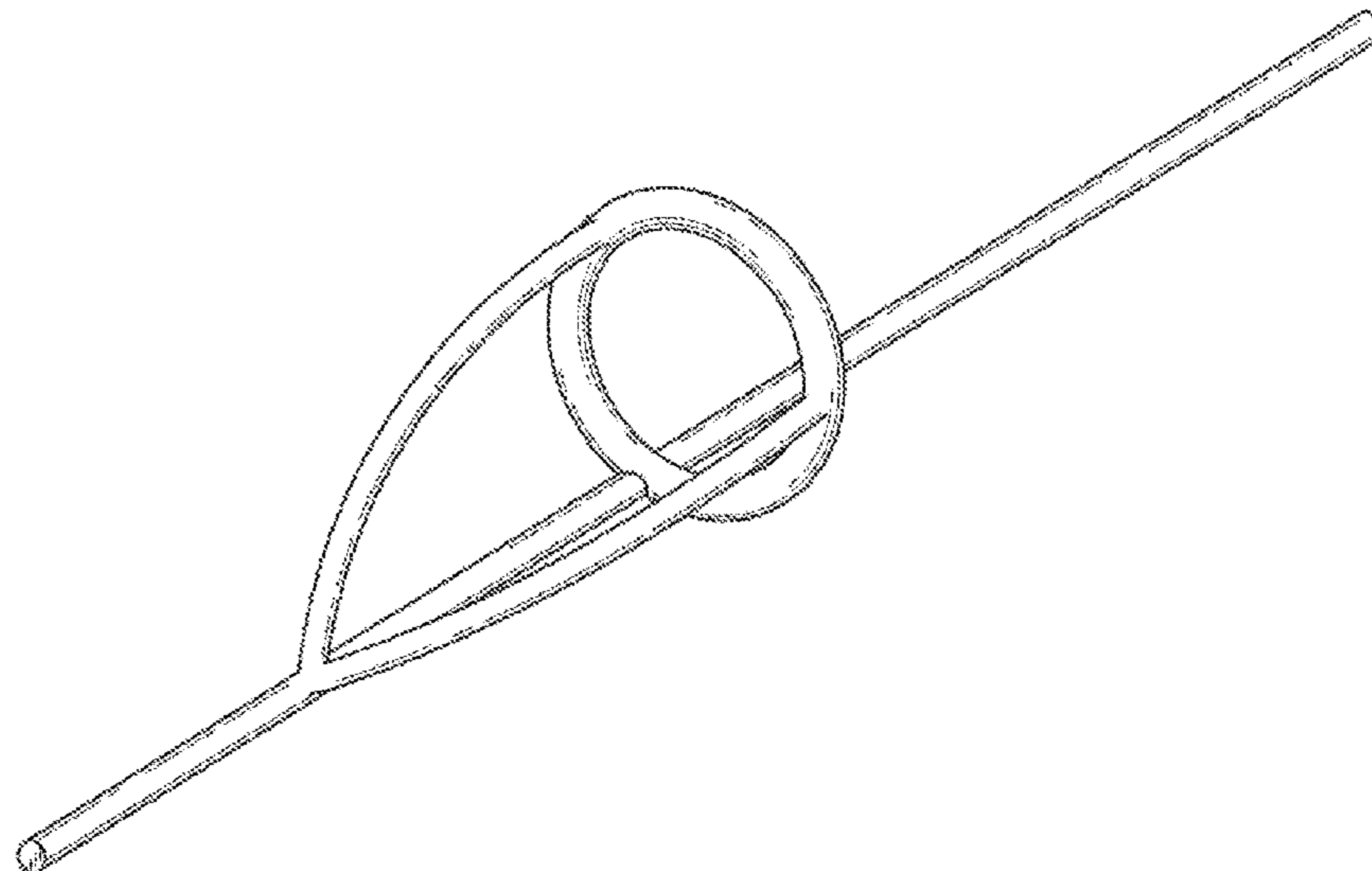
FIG. 10 is a top view; and,

FIG. 11 is a bottom view.

The dashed lines are shown for illustrative purposes only and form no part of the claimed design.

In FIGS. 1 through 11, dotted lines are merely used for better illustration of the fishing rod guide designs thereof. A plurality of dashed lines in part of the figures are used for showing the fishing rod guide designs as a whole thereof while the claimed designs are shown in solid line.

1 Claim, 6 Drawing Sheets



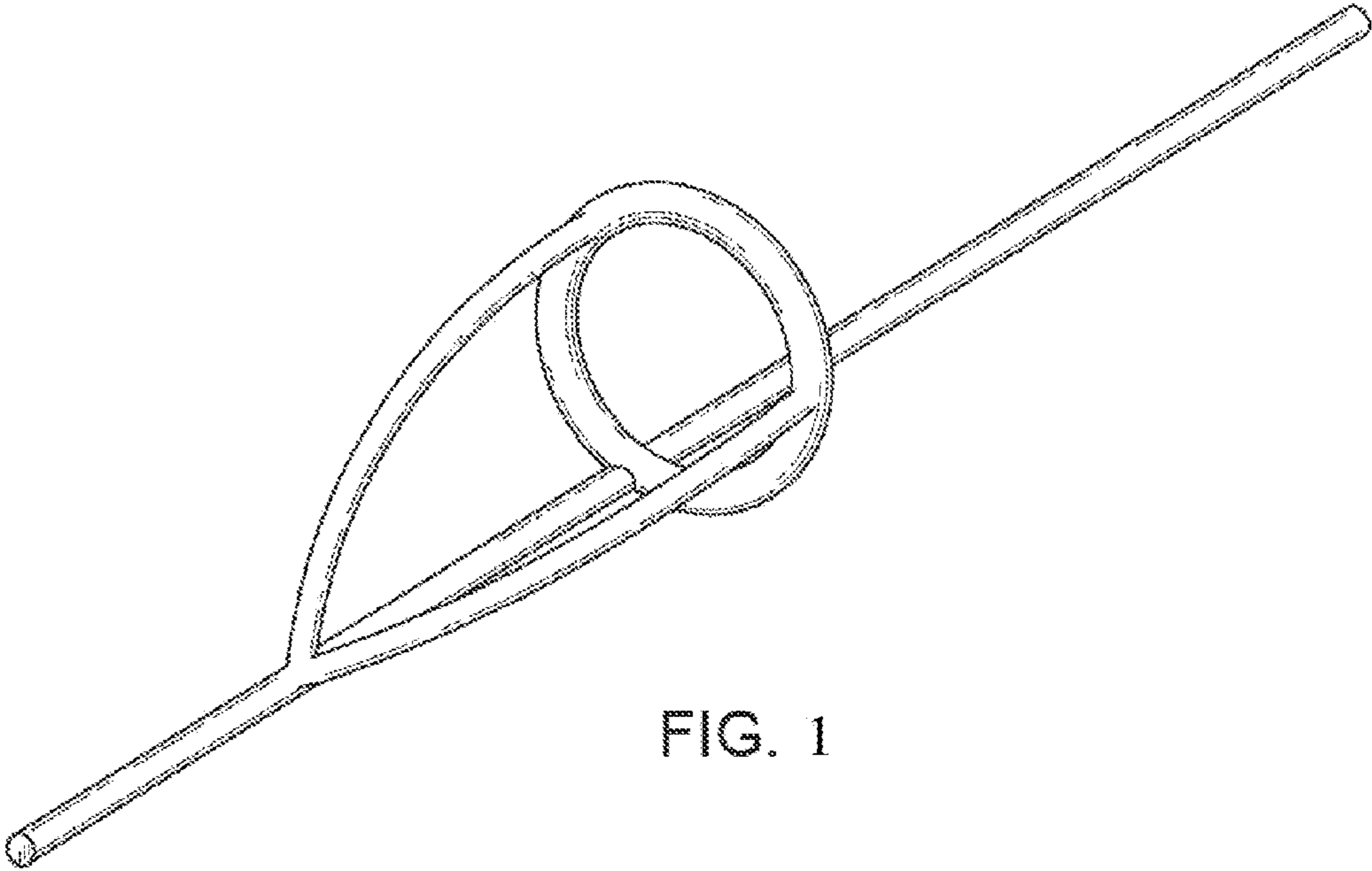


FIG. 1

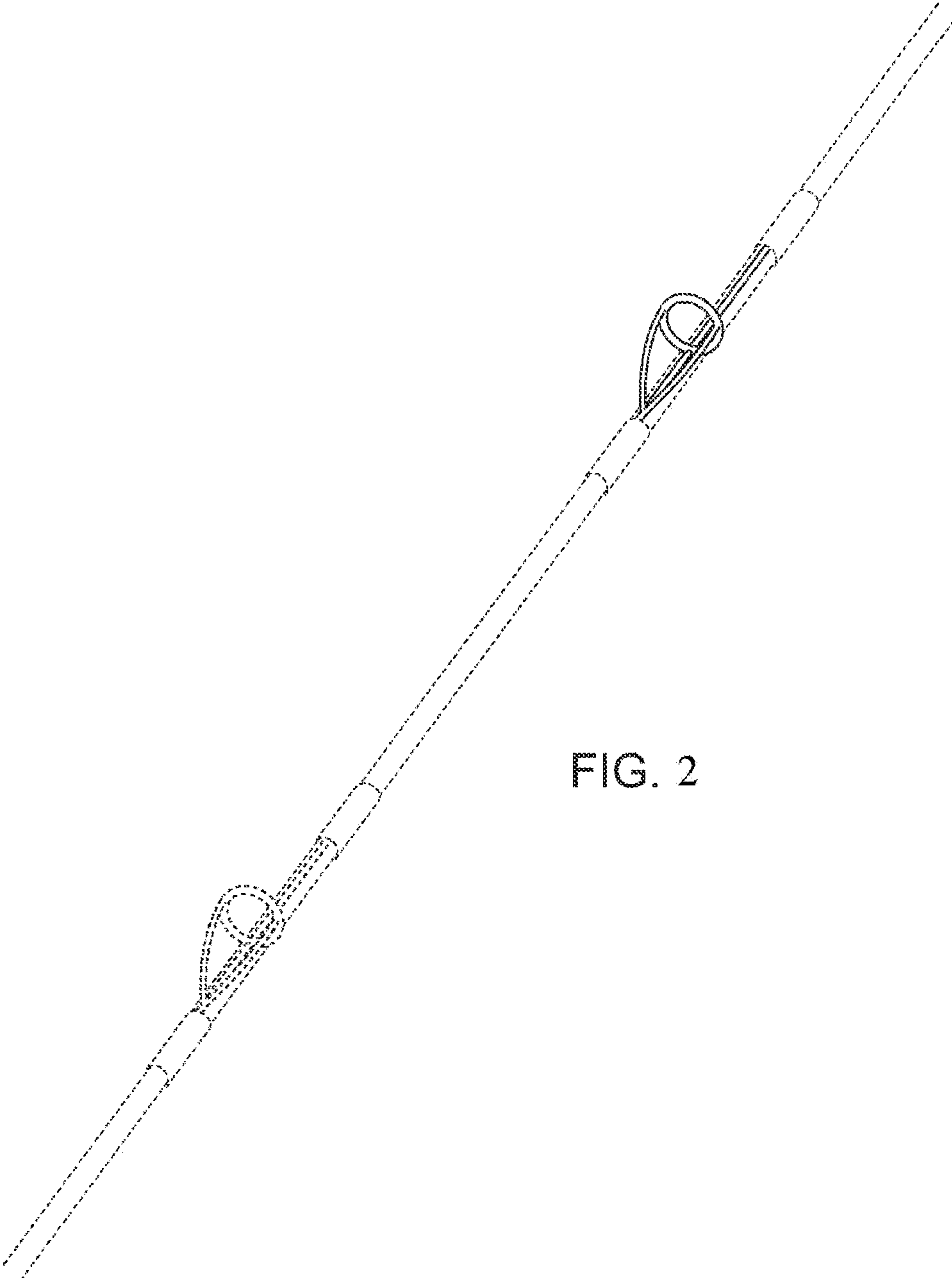


FIG. 2

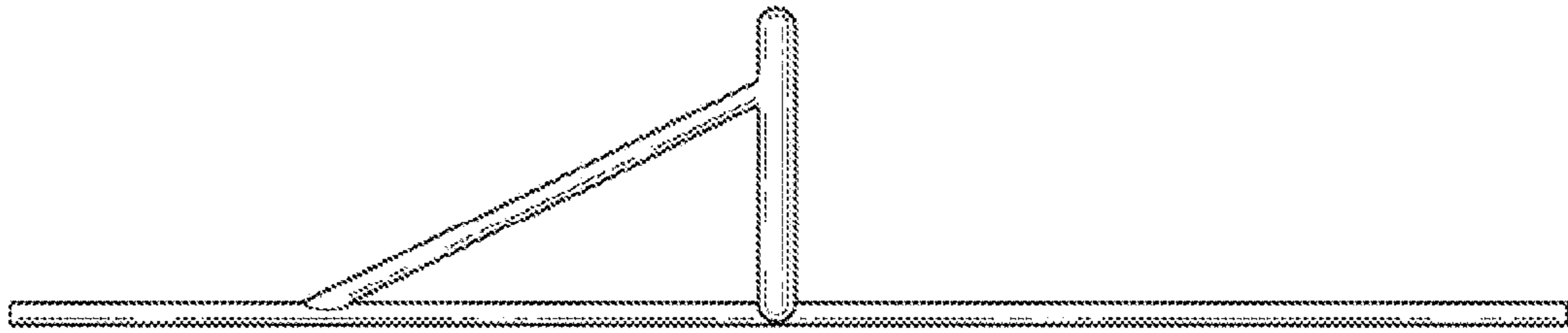


FIG. 3

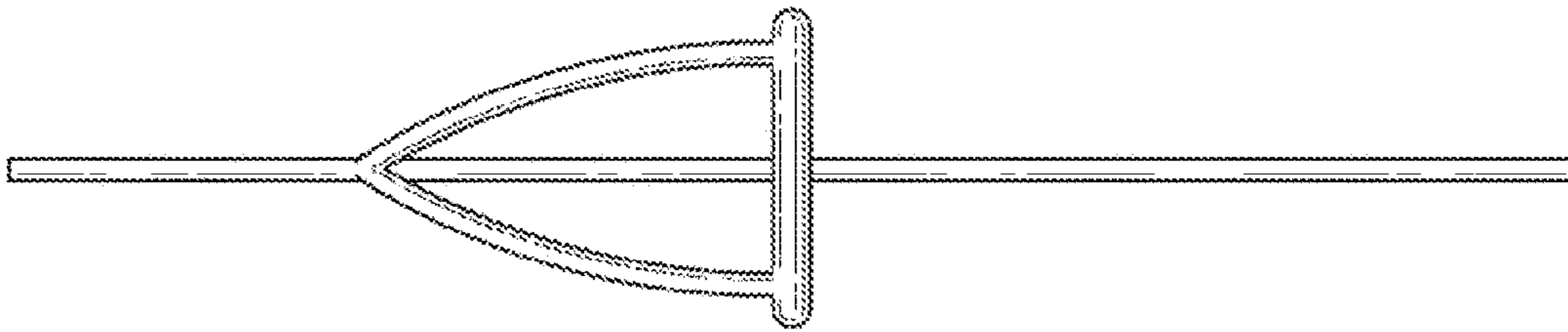


FIG. 4

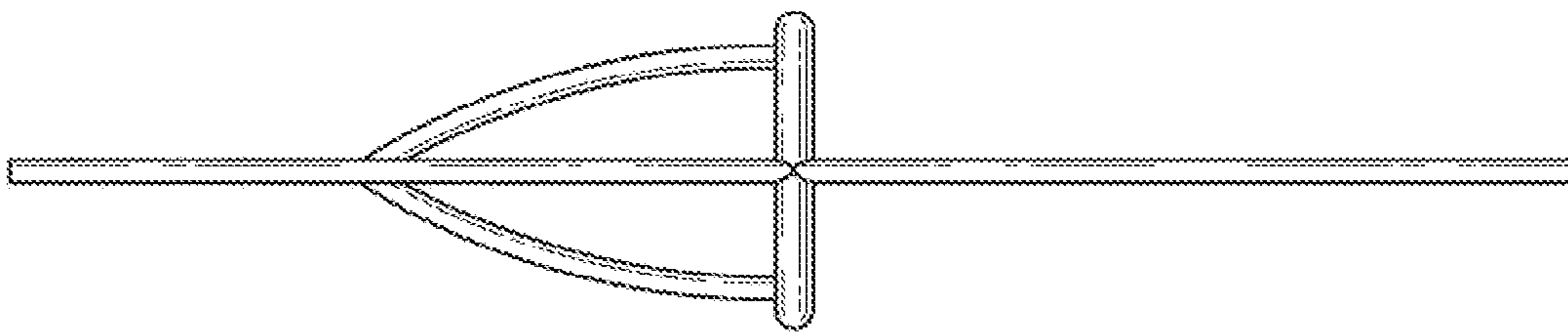


FIG. 5

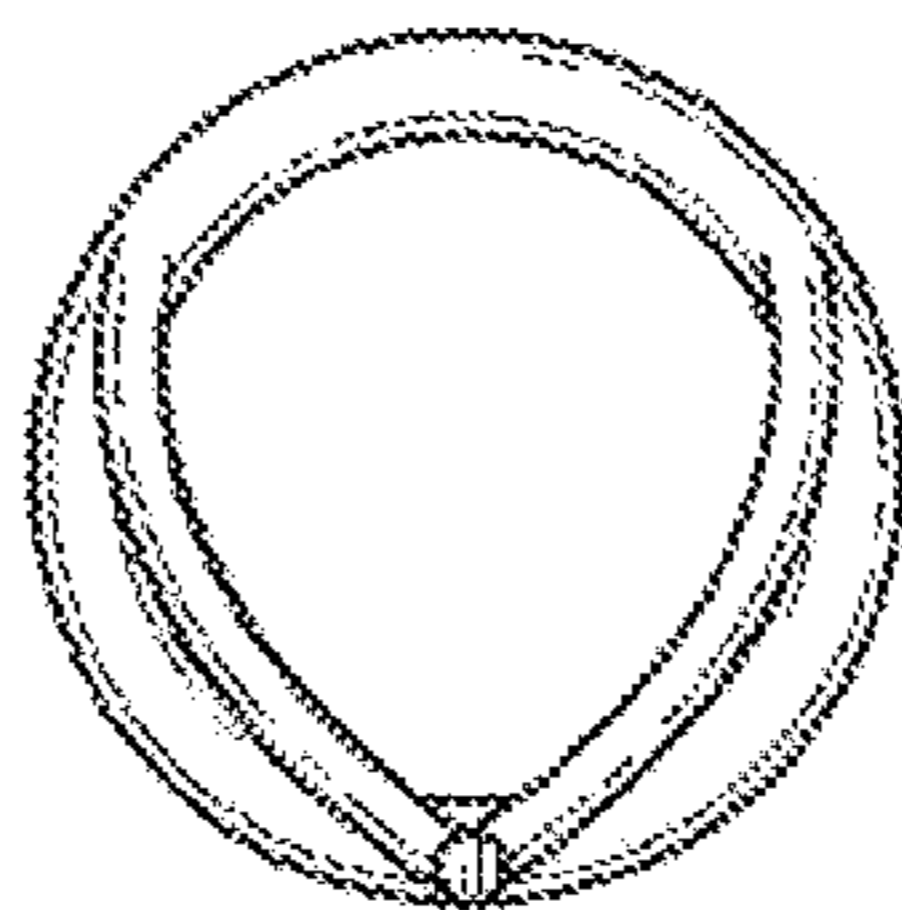


FIG. 6

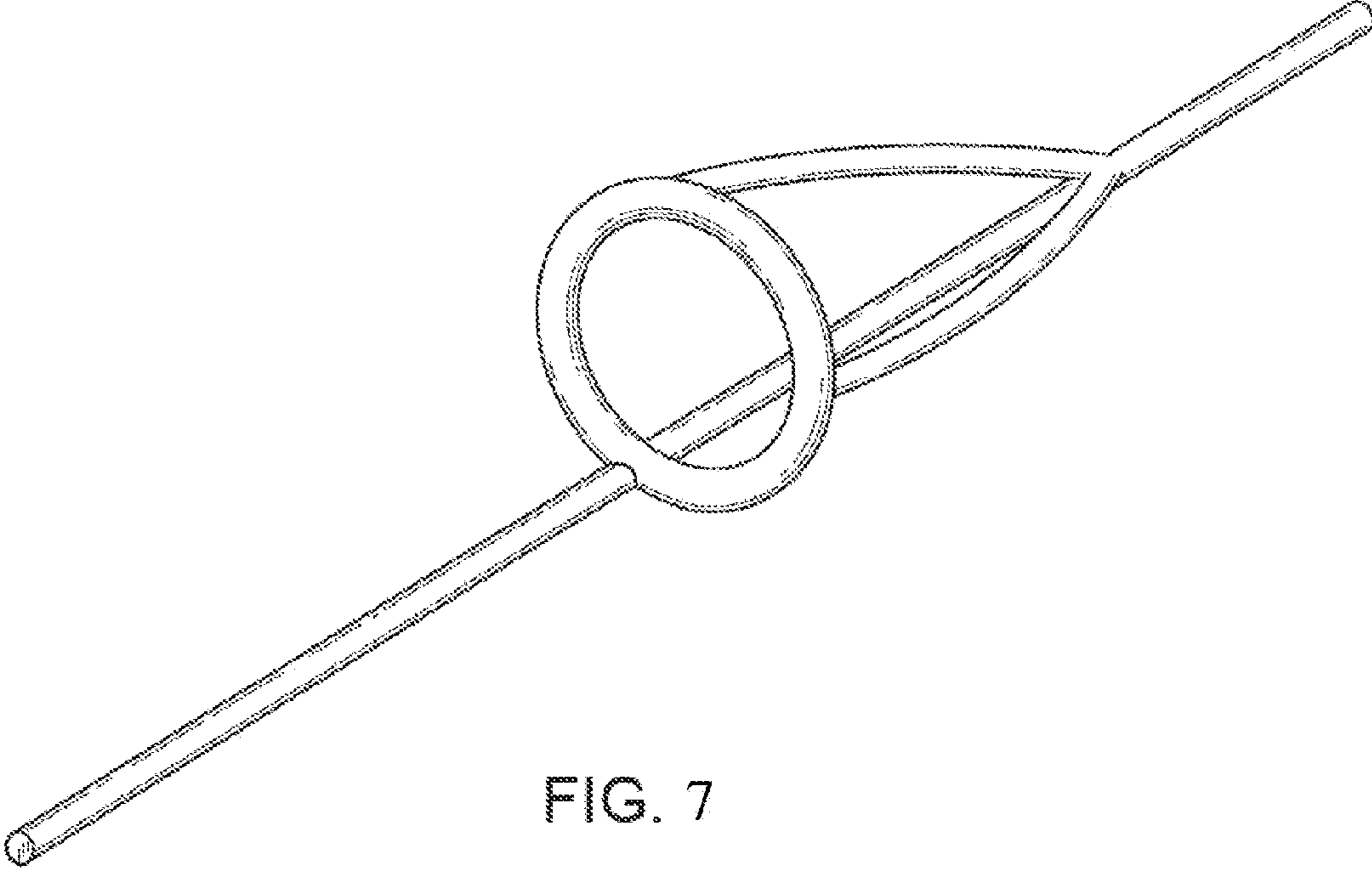


FIG. 7

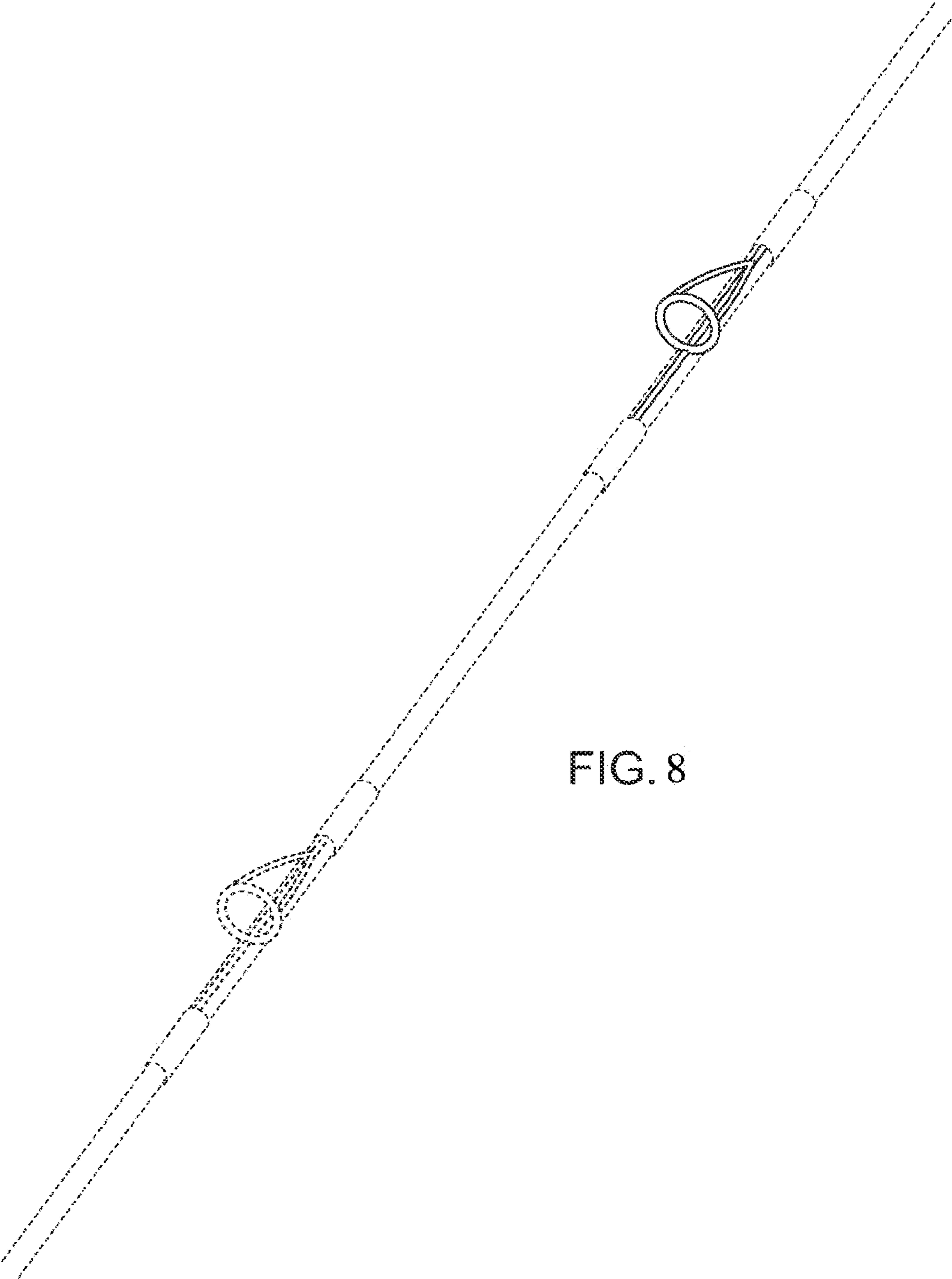


FIG. 8

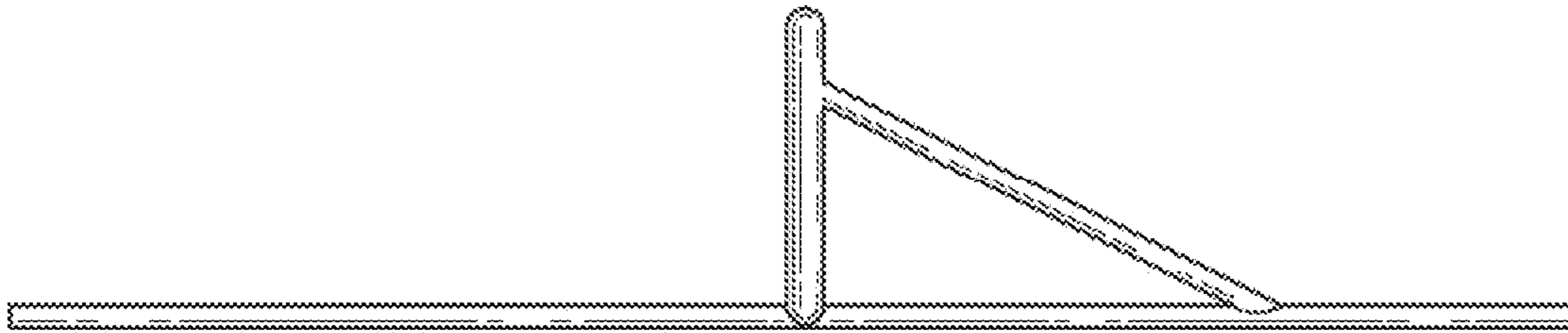


FIG. 9

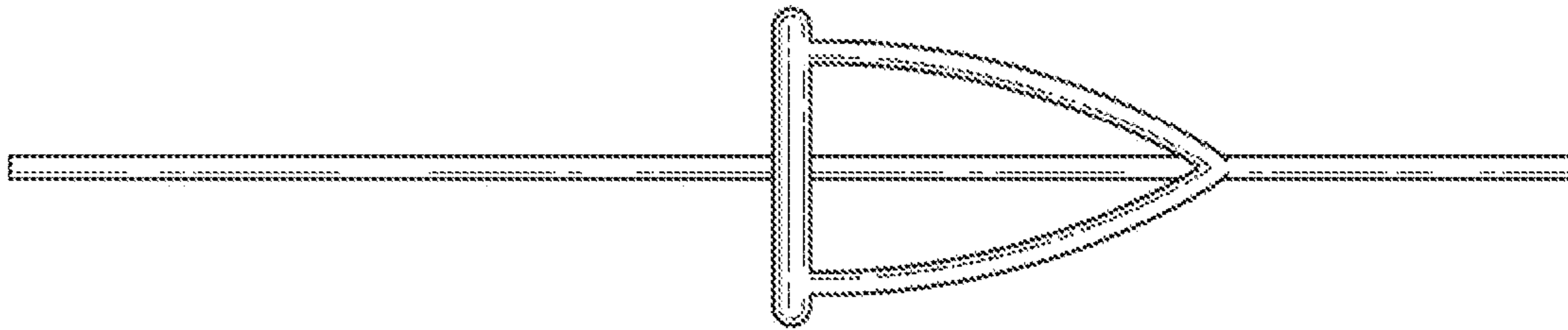


FIG. 10

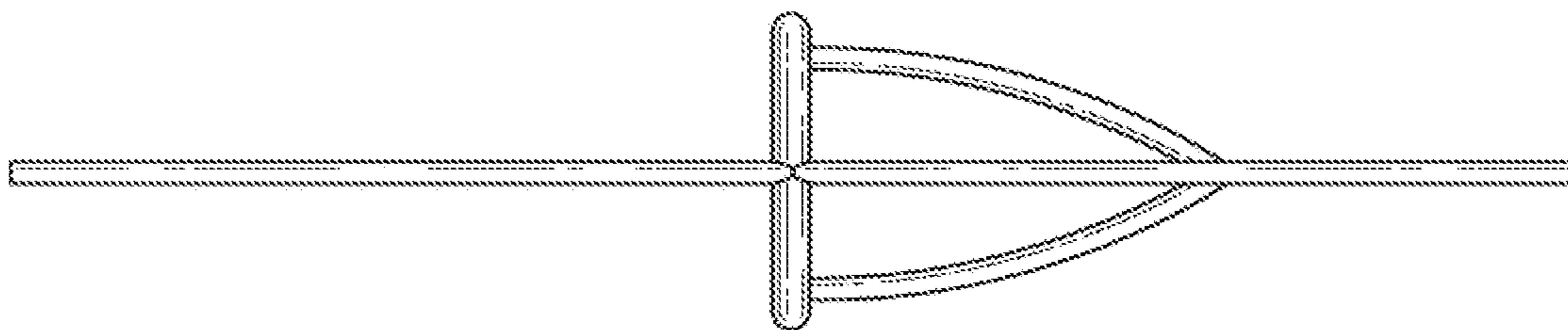


FIG. 11