



US00D692089S

(12) **United States Design Patent**
Rubel et al.

(10) **Patent No.:** **US D692,089 S**
(45) **Date of Patent:** **** Oct. 22, 2013**

(54) **INSECT TRAP**

(71) Applicants: **Eric Rubel**, Westfield, NJ (US); **Michael Banfield**, Woodinville, WA (US)

(72) Inventors: **Eric Rubel**, Westfield, NJ (US); **Michael Banfield**, Woodinville, WA (US)

(73) Assignee: **PIC Corporation**, Linden, NJ (US)

(**) Term: **14 Years**

(21) Appl. No.: **29/438,440**

(22) Filed: **Nov. 29, 2012**

(51) **LOC (9) Cl.** **22-06**

(52) **U.S. Cl.**
USPC **D22/122**

(58) **Field of Classification Search**
USPC D22/119–124; 43/112–113, 124, 131, 43/132.1
See application file for complete search history.

(56) **References Cited**

U.S. PATENT DOCUMENTS

D496,089 S *	9/2004	Lambert et al.	D22/122
6,786,001 B1 *	9/2004	Piper et al.	43/113
D623,259 S *	9/2010	Tsai	D22/122
D642,655 S *	8/2011	Galili	D22/122
D678,457 S *	3/2013	English et al.	D22/122

* cited by examiner

Primary Examiner — Catheri Oliver-Garcia

(74) *Attorney, Agent, or Firm* — Fross Zelnick Lehrman & Zissu, P.C.; Charles T. J. Weigell, Esq.

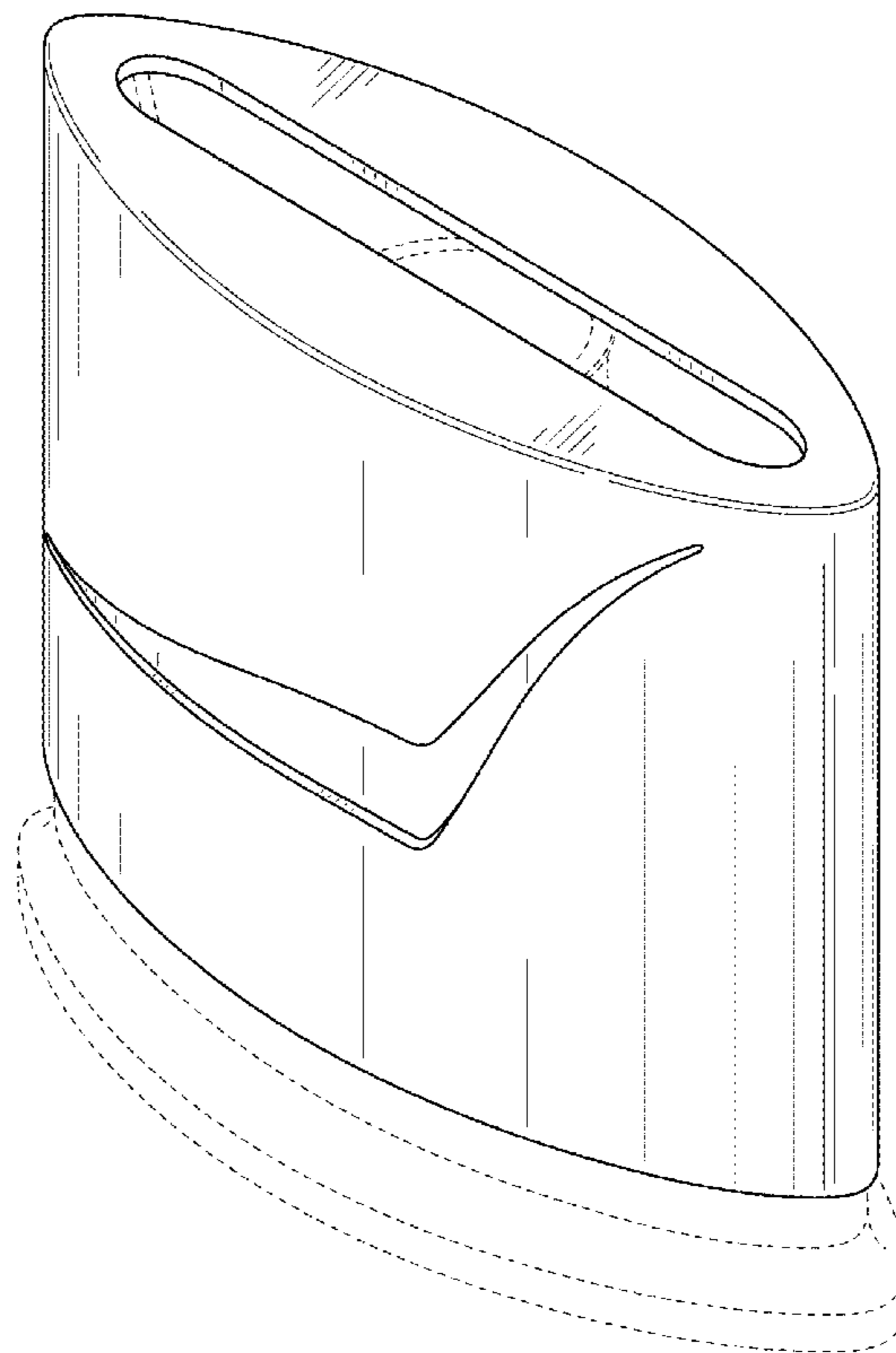
(57) **CLAIM**

The ornamental design for an insect trap, as shown and described.

DESCRIPTION

FIG. 1 is a front perspective view of an insect trap showing my new design;
FIG. 2 is a front view of the insect trap shown in FIG. 1;
FIG. 3 is a rear view of the insect trap shown in FIG. 1;
FIG. 4 is a left side view of the insect trap shown in FIG. 1;
FIG. 5 is a right side view of the insect trap shown in FIG. 1;
FIG. 6 is a top view of the insect trap shown in FIG. 1;
FIG. 7 is a bottom view of the insect trap shown in FIG. 1;
FIG. 8 is a front perspective view of an alternative embodiment of the insect trap shown in FIG. 1;
FIG. 9 is a front view of the insect trap shown in FIG. 8;
FIG. 10 is a rear view of the insect trap shown in FIG. 8;
FIG. 11 is a left side view of the insect trap shown in FIG. 8;
FIG. 12 is a right side view of the insect trap shown in FIG. 8;
FIG. 13 is a top view of the insect trap shown in FIG. 8; and,
FIG. 14 is a bottom view of the insect trap shown in FIG. 8.
The broken line showing of the base of the trap, the feet of the trap, and the internal portion of the trap in relevant drawings shows unclaimed subject matter for the design in those drawings.

1 Claim, 8 Drawing Sheets



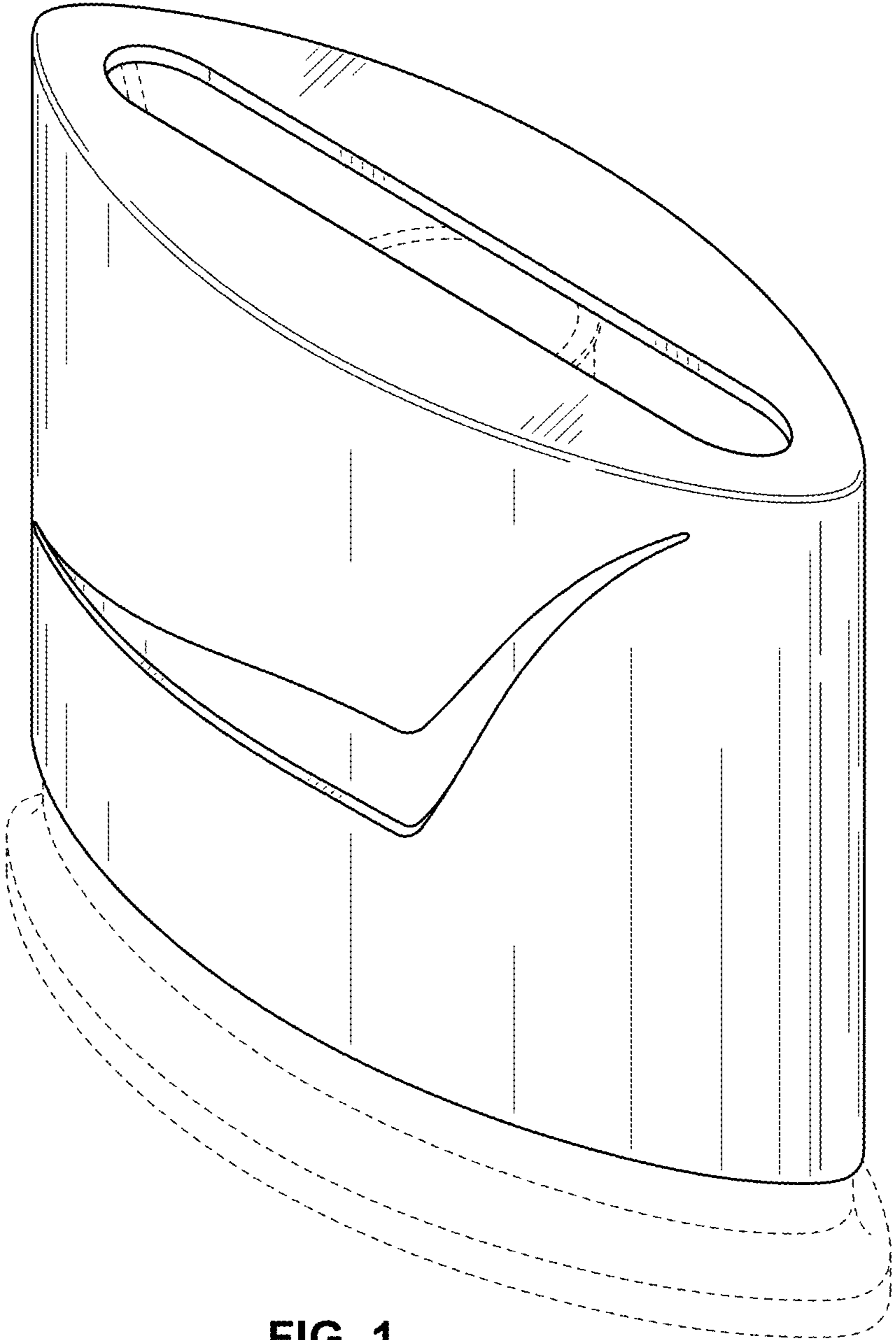


FIG. 1

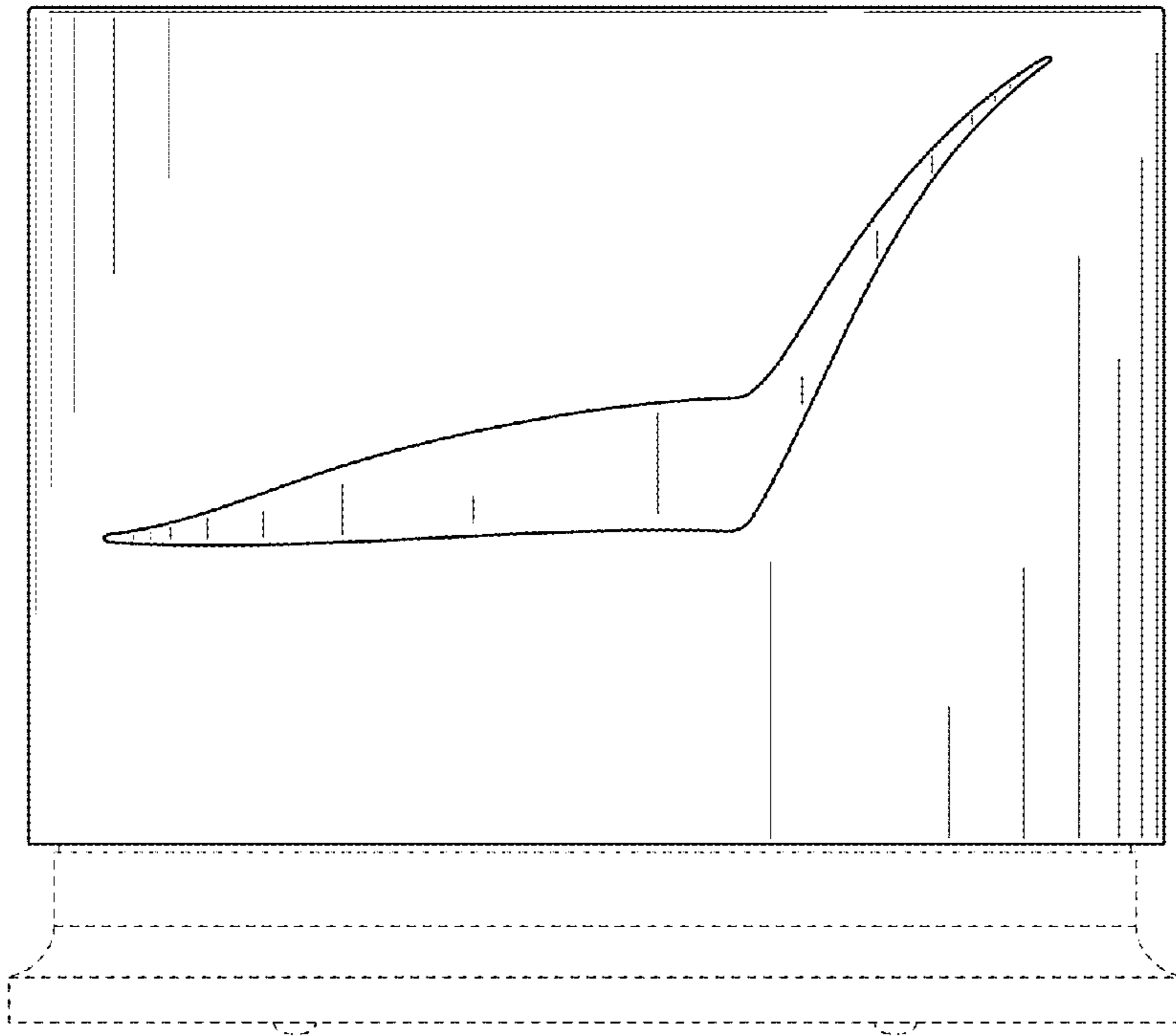


FIG. 2

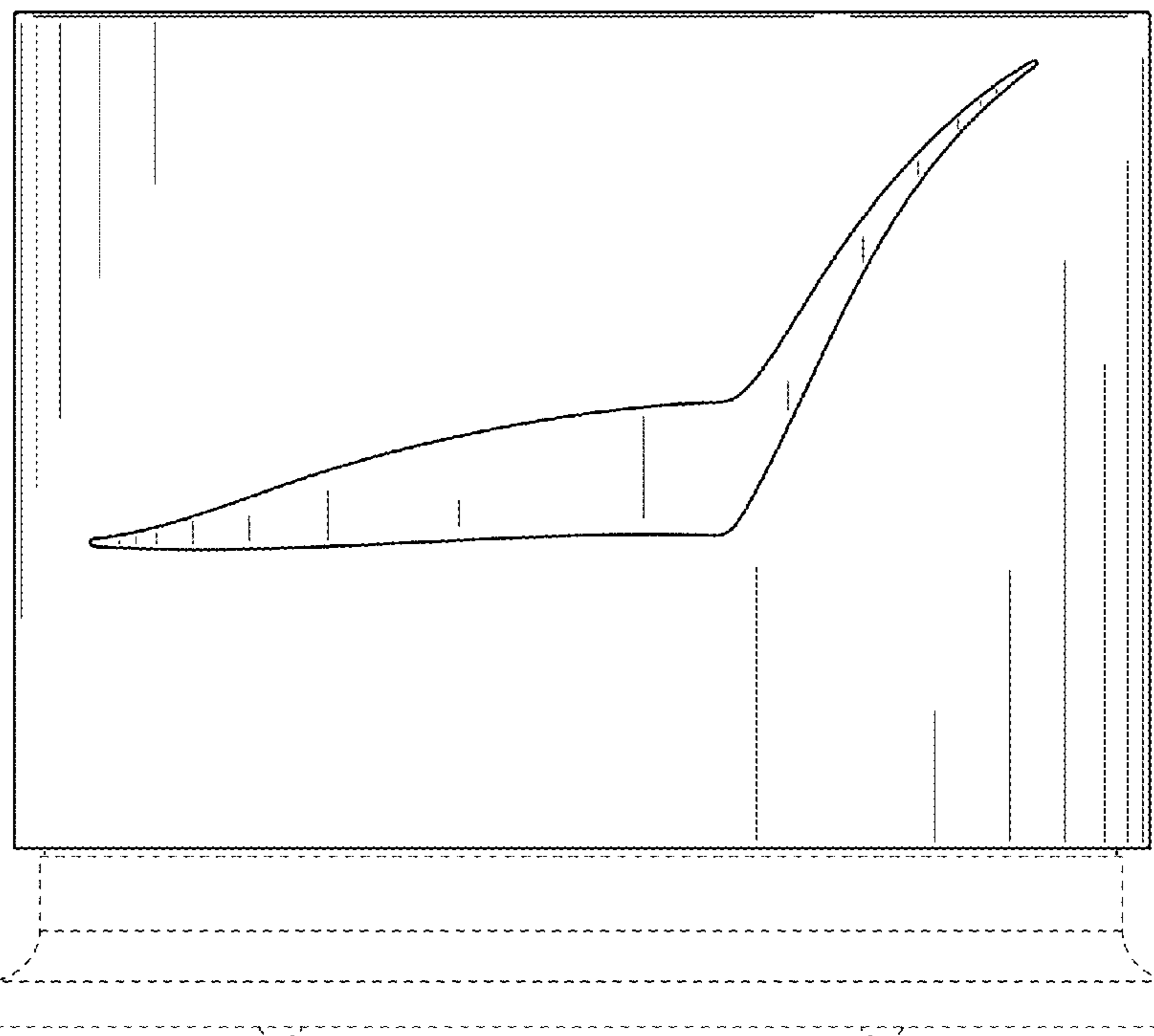


FIG. 3

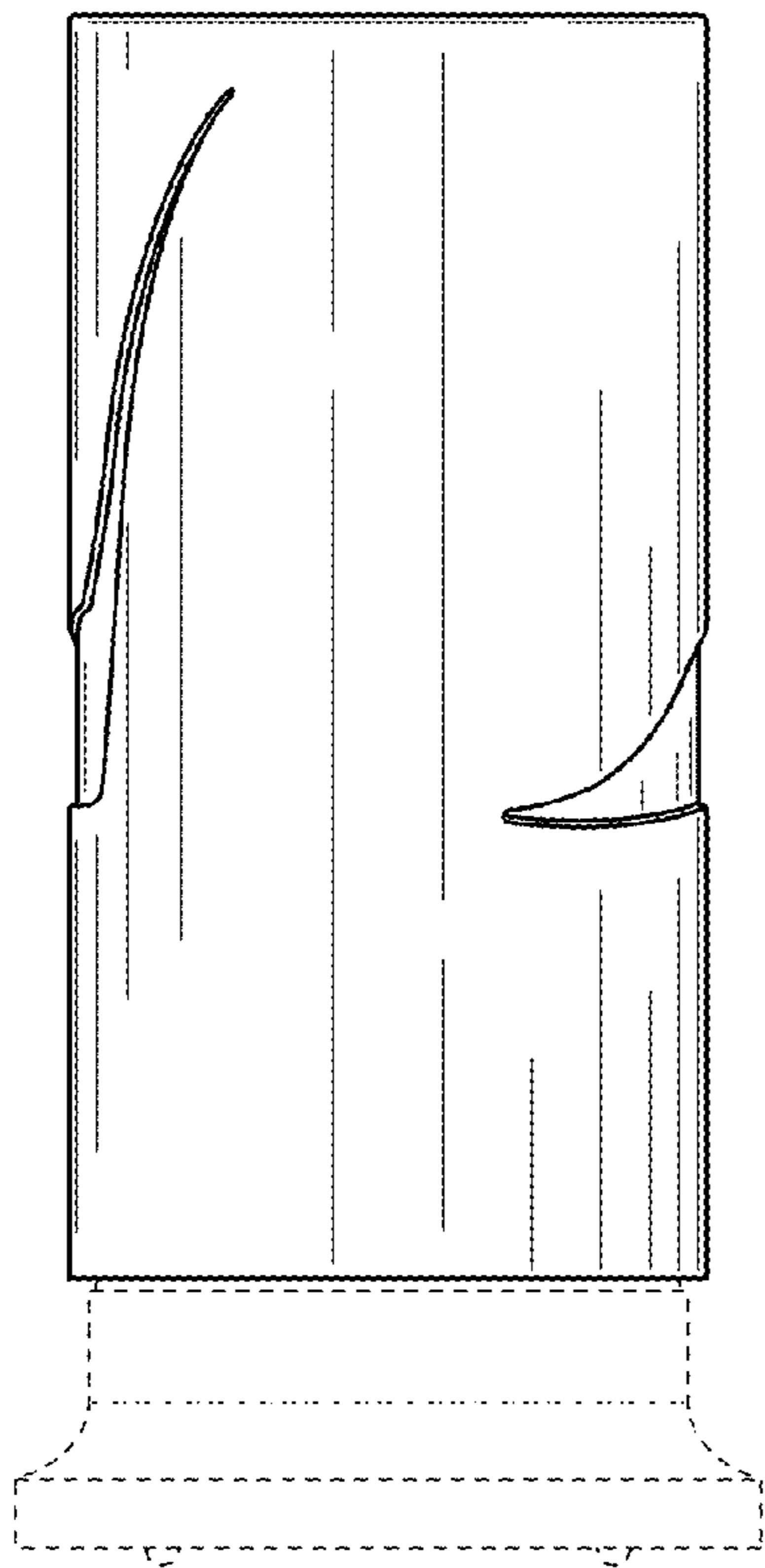


FIG. 4

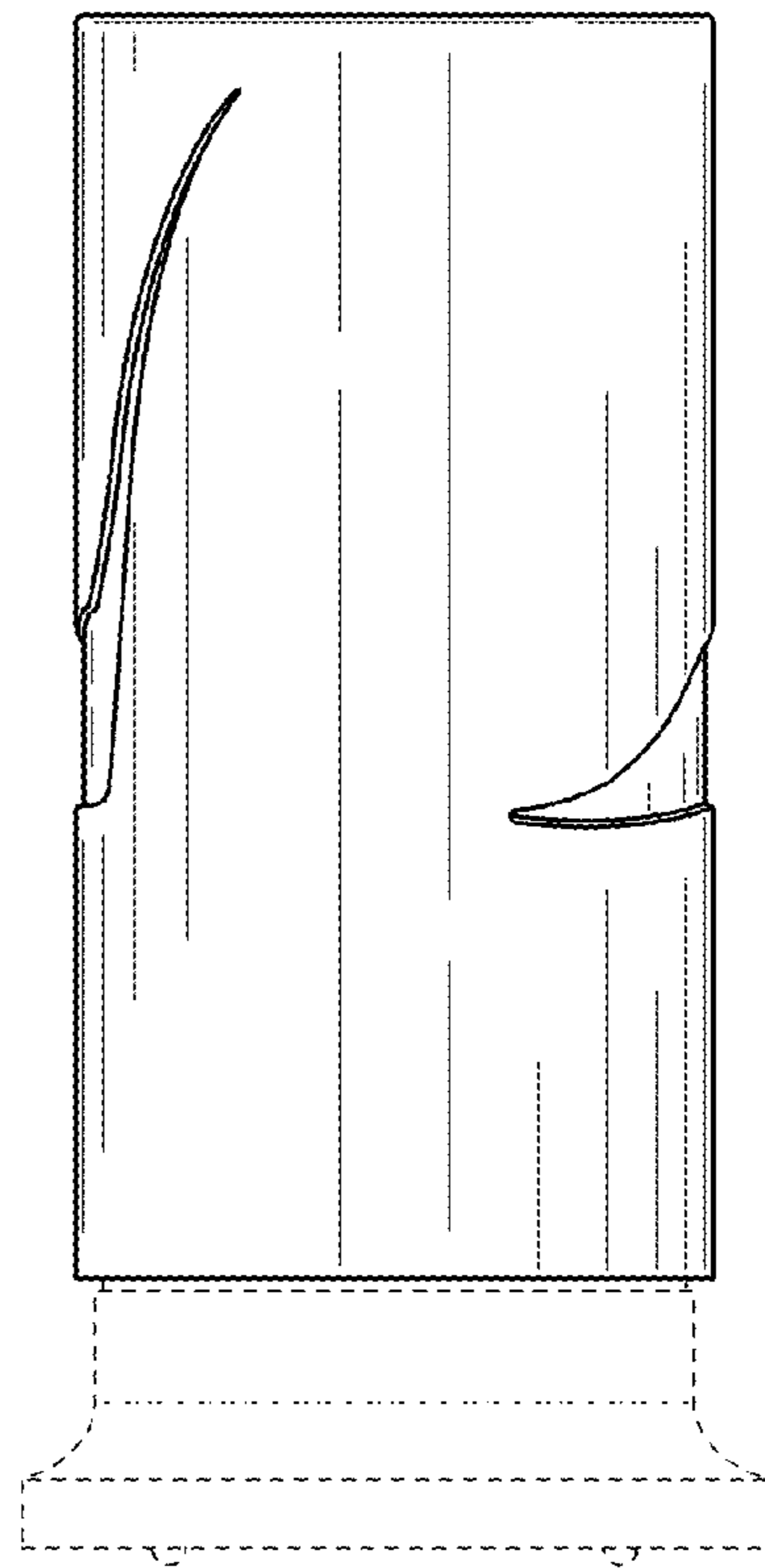


FIG. 5

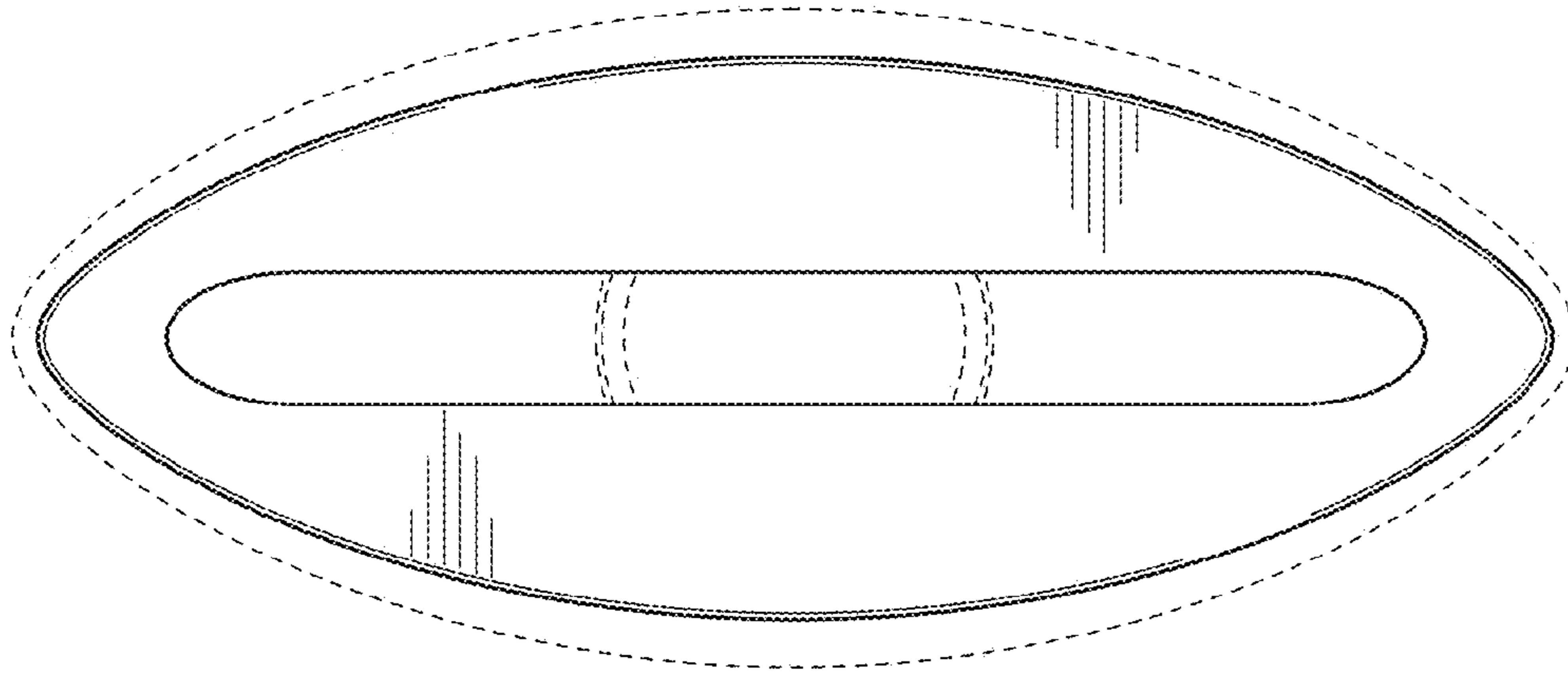


FIG. 6

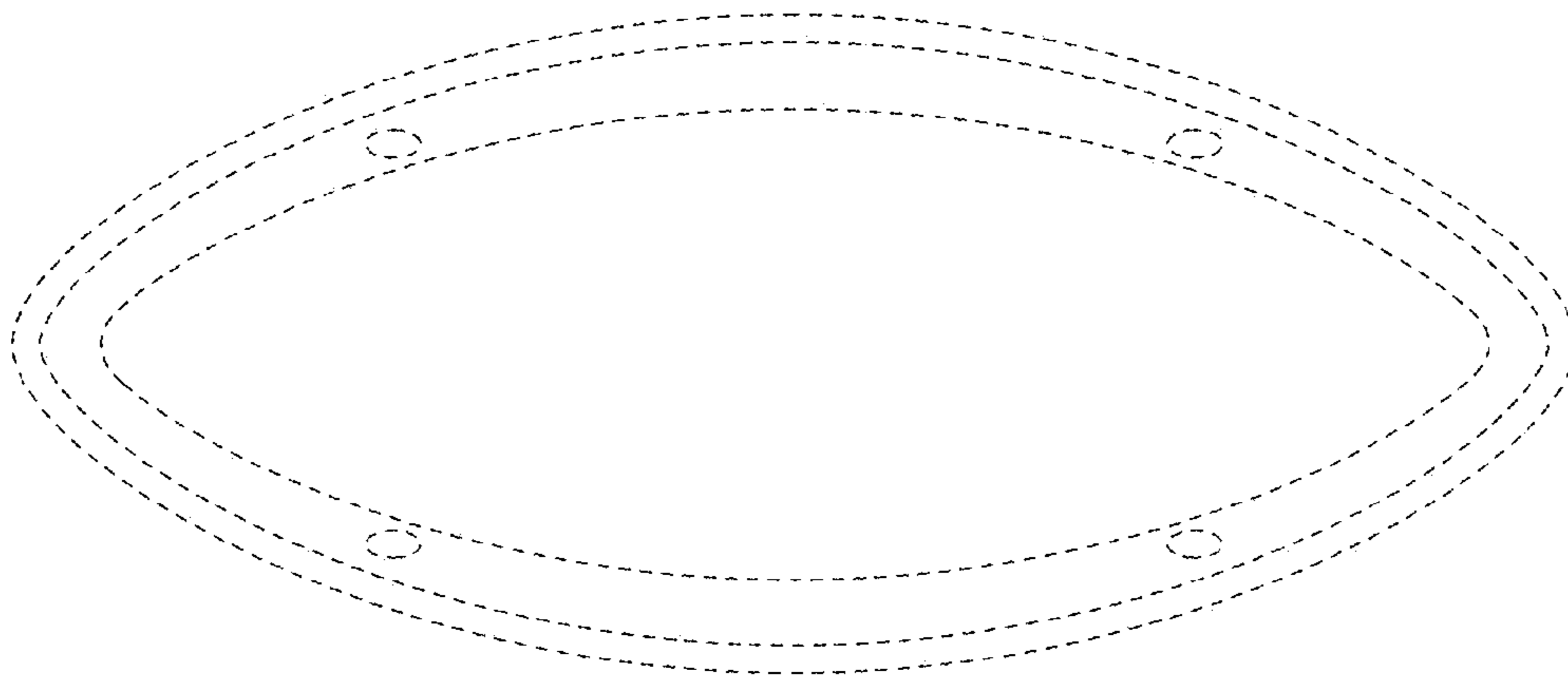


FIG. 7

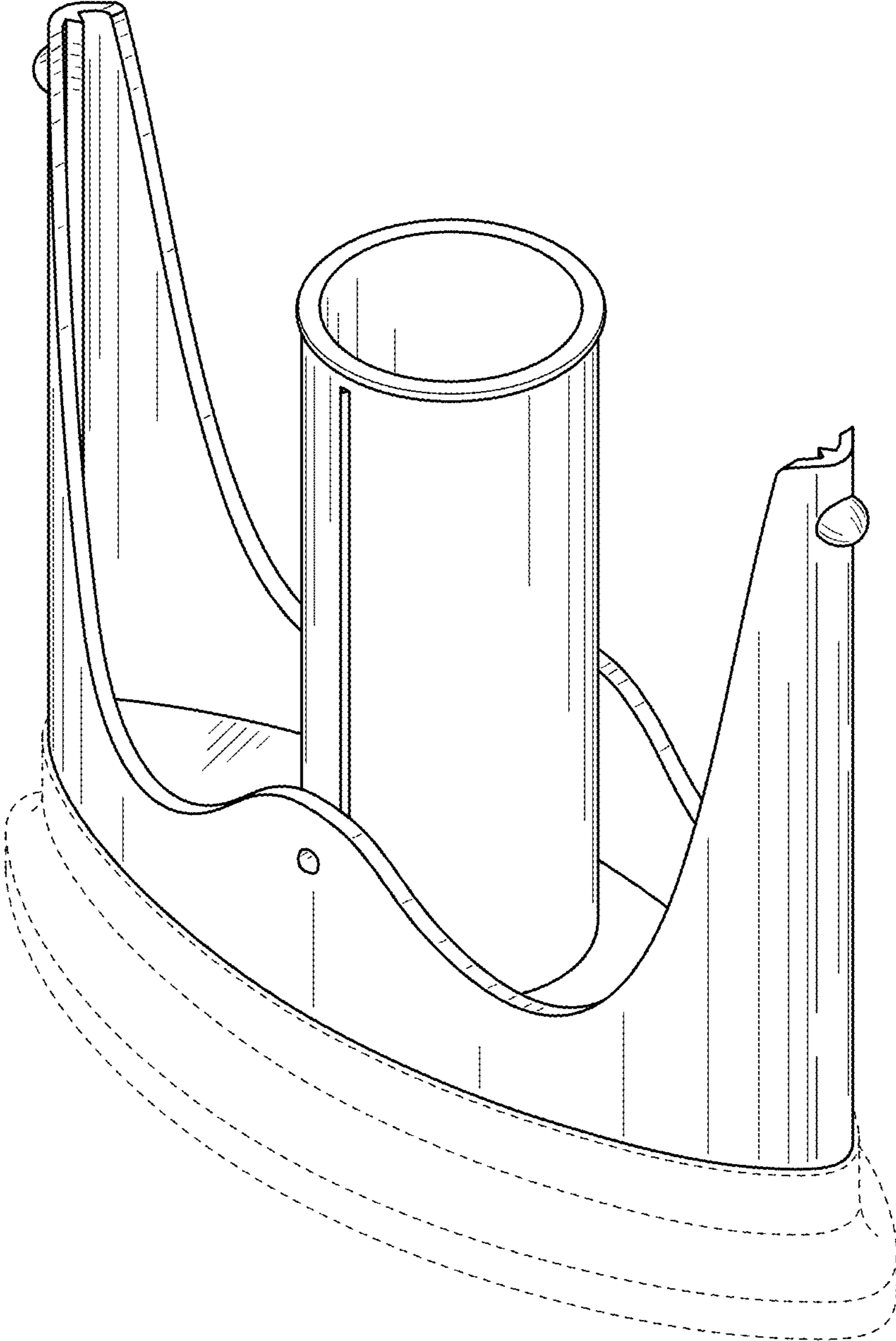


FIG. 8

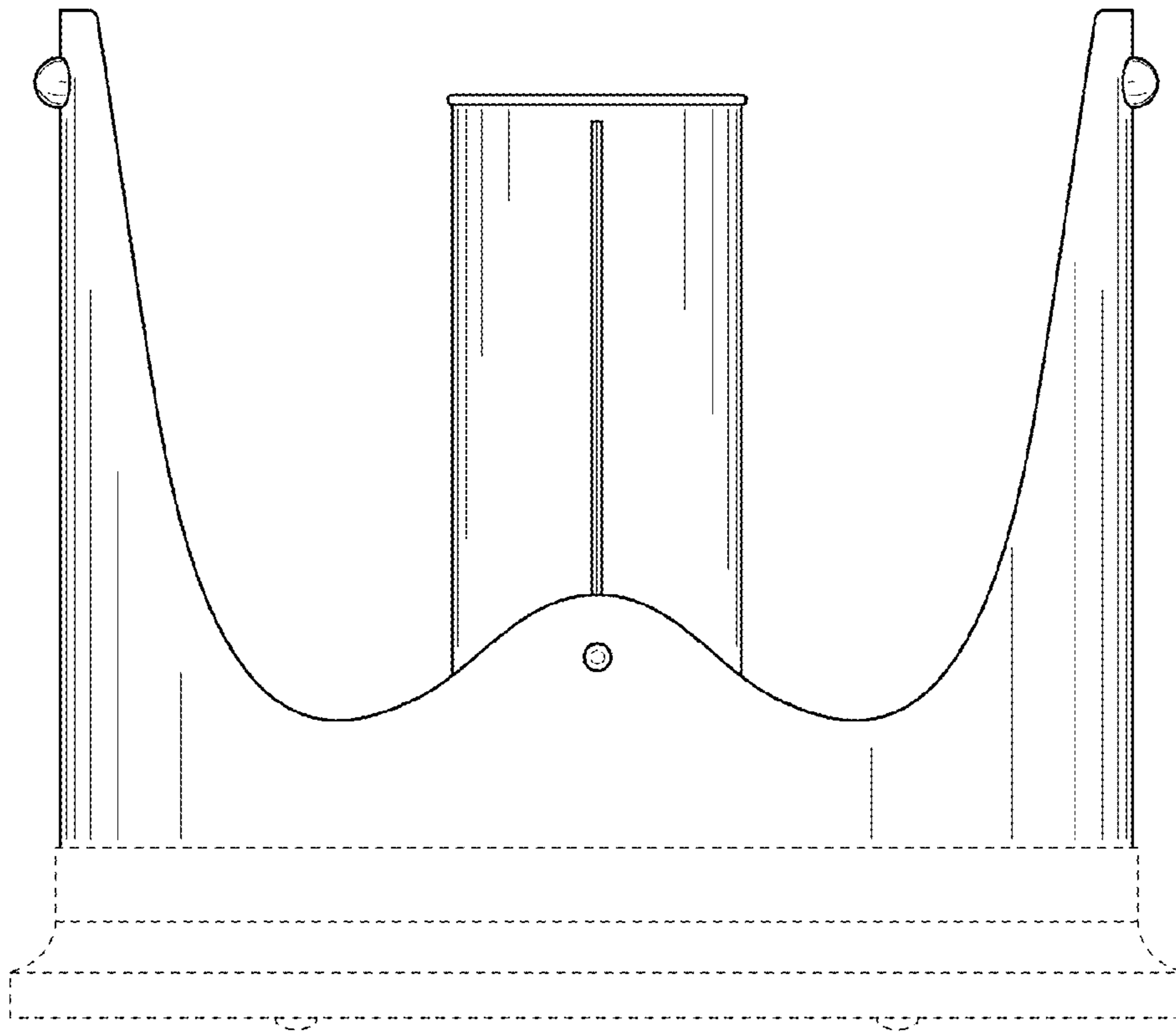


FIG. 9

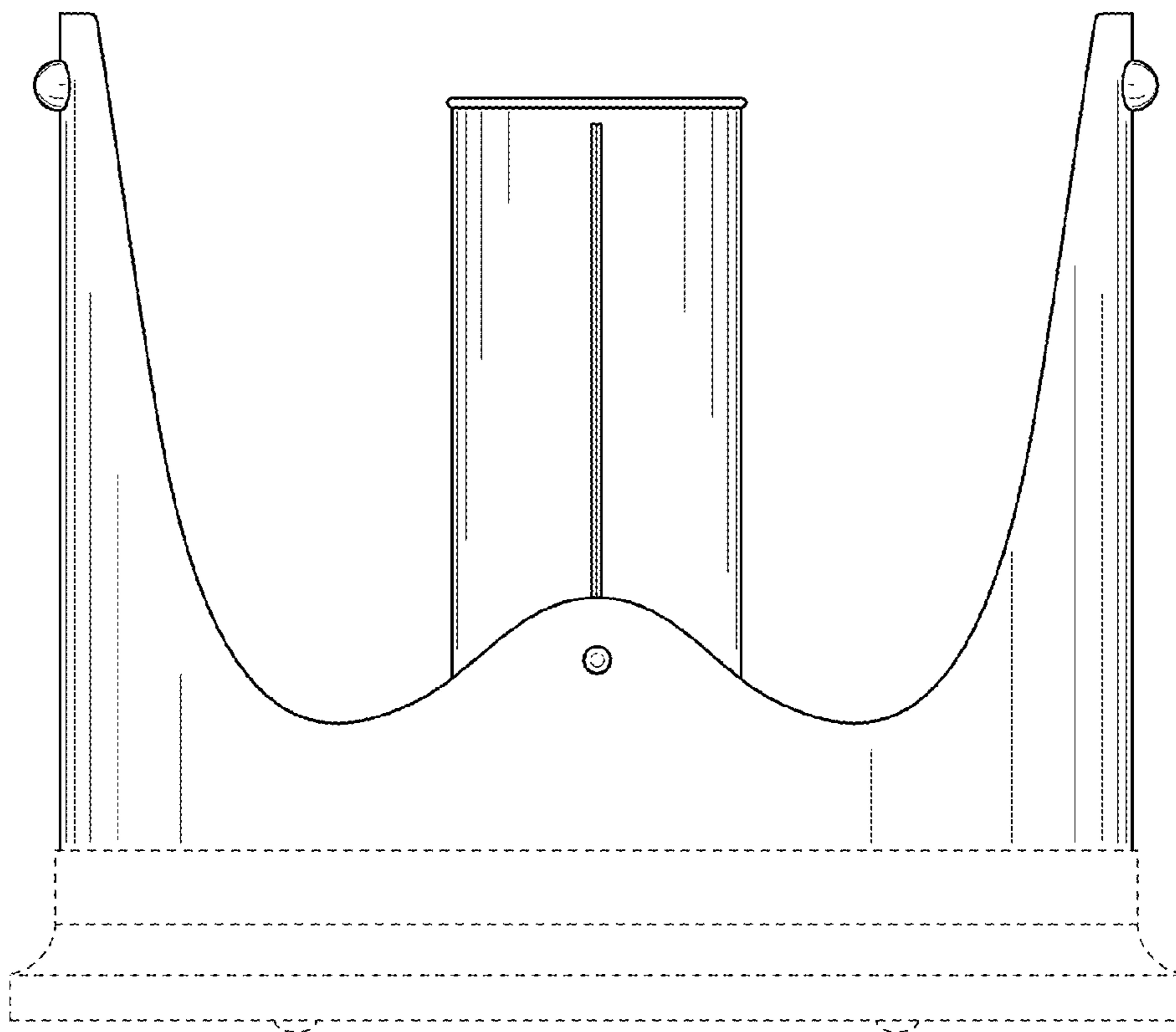


FIG. 10

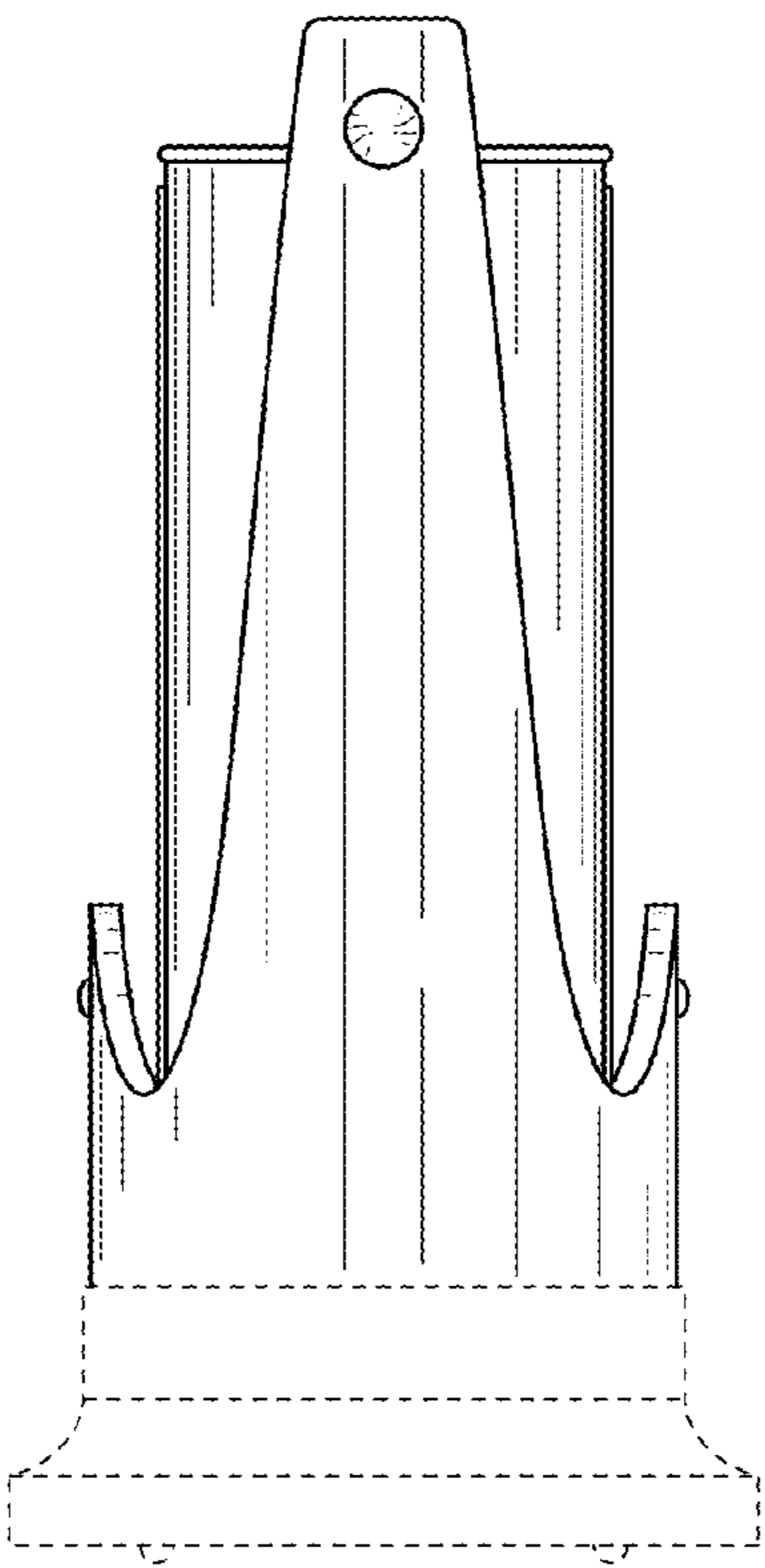


FIG. 11

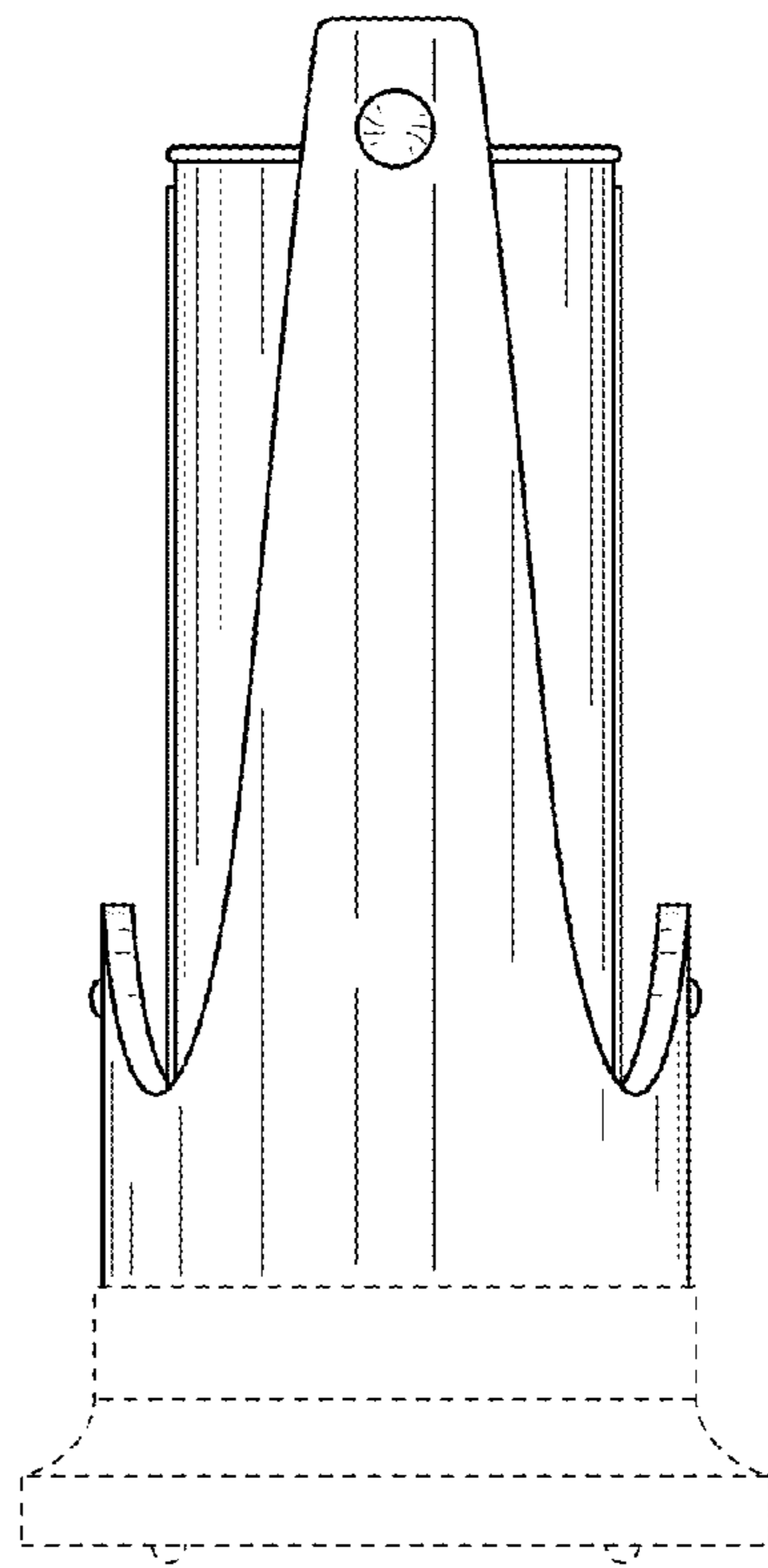


FIG. 12

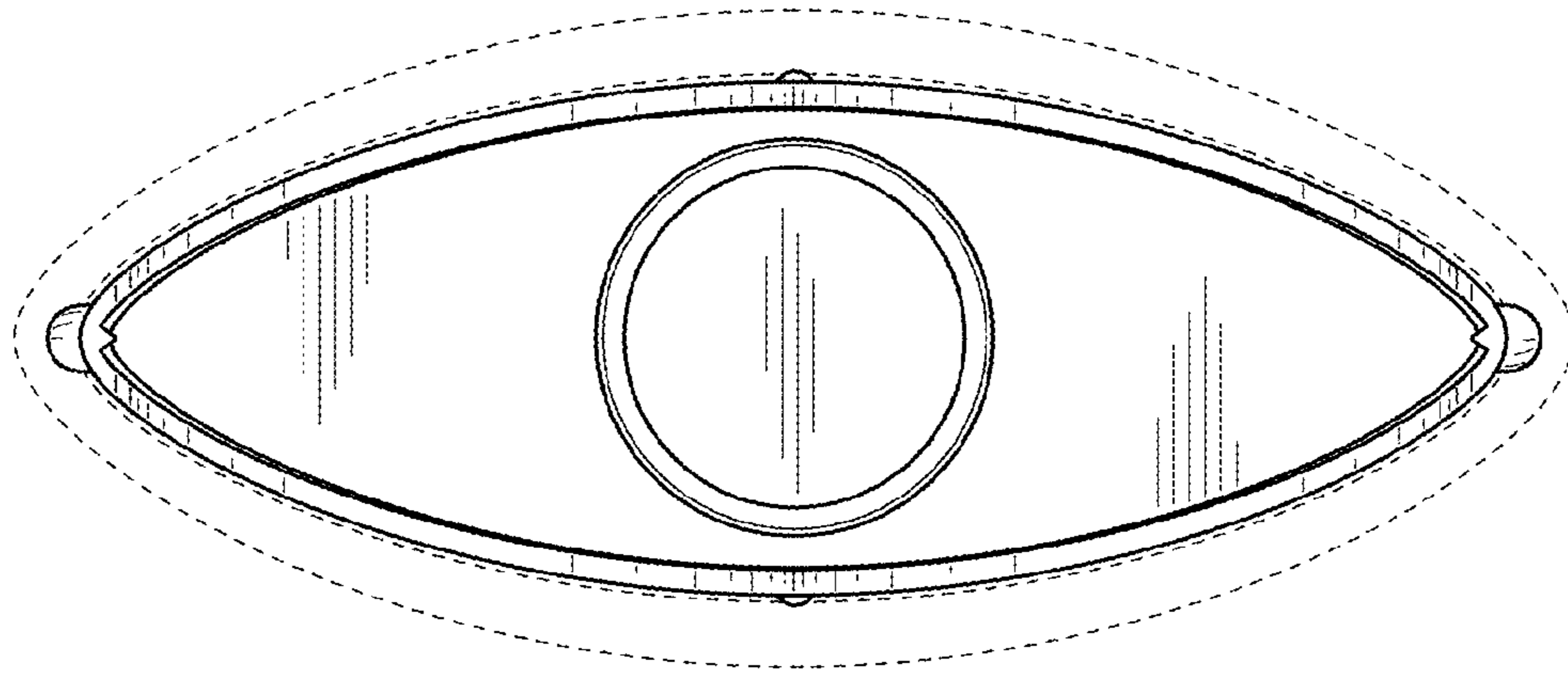


FIG. 13

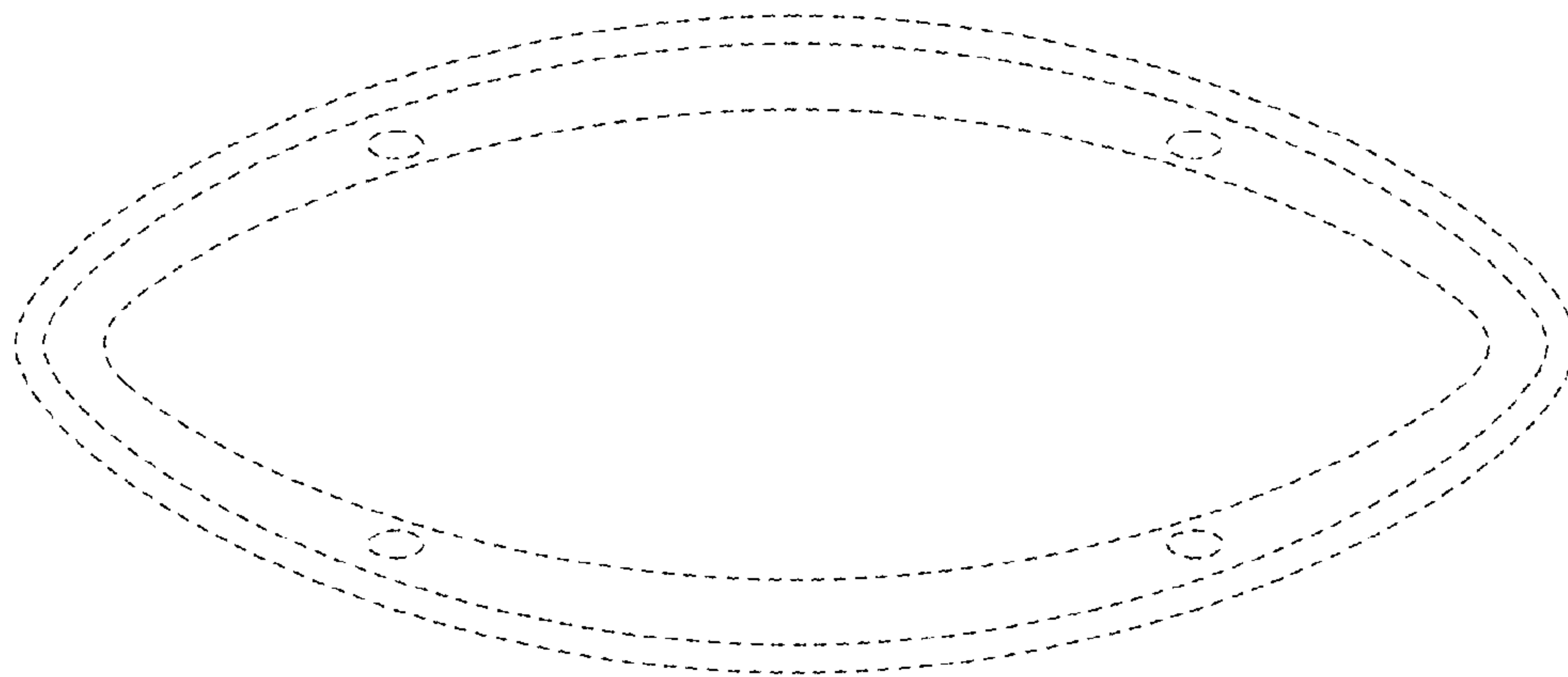


FIG. 14

UNITED STATES PATENT AND TRADEMARK OFFICE
CERTIFICATE OF CORRECTION

PATENT NO. : D692,089 S
APPLICATION NO. : 29/438440
DATED : October 22, 2013
INVENTOR(S) : Rubel et al.

Page 1 of 6

It is certified that error appears in the above-identified patent and that said Letters Patent is hereby corrected as shown below:

Title Page

Delete title page, and replace with new title page. (attached)

Drawings

Delete Drawing Sheets 1-8 and substitute therefore with the attached Drawing Sheets 1-4. FIGS. 8-14 have been deleted.

Signed and Sealed this
Twentieth Day of May, 2014



Michelle K. Lee
Deputy Director of the United States Patent and Trademark Office

(12) **United States Design Patent** (10) **Patent No.:** **US D692,089 S**
Rubel et al. (45) **Date of Patent:** **** Oct. 22, 2013**

(54) **INSECT TRAP**

Primary Examiner — Catheri Oliver-Garcia

(71) Applicants: **Eric Rubel**, Westfield, NJ (US); **Michael Banfield**, Woodinville, WA (US)

(74) *Attorney, Agent, or Firm* — Fross Zelnick Lehrman & Zissu, P.C.; Charles T. J. Weigell, Esq.

(72) Inventors: **Eric Rubel**, Westfield, NJ (US); **Michael Banfield**, Woodinville, WA (US)

(57) **CLAIM**

The ornamental design for an insect trap, as shown and described.

(73) Assignee: **PIC Corporation**, Linden, NJ (US)

DESCRIPTION

(**) Term: **14 Years**

FIG. 1 is a front perspective view of an insect trap showing my new design;

(21) Appl. No.: **29/438,440**

FIG. 2 is a front view of the insect trap shown in FIG. 1;

(22) Filed: **Nov. 29, 2012**

FIG. 3 is a rear view of the insect trap shown in FIG. 1;

(51) **LOC (9) Cl.** **22-06**

FIG. 4 is a left side view of the insect trap shown in FIG. 1;

(52) **U.S. Cl.** **D22/122**
 USPC **D22/122**

FIG. 5 is a right side view of the insect trap shown in FIG. 1;

(58) **Field of Classification Search**
 USPC D22/119-124; 43/112-113, 124, 131,
 43/132.1

FIG. 6 is a top view of the insect trap shown in FIG. 1;

See application file for complete search history.

FIG. 7 is a bottom view of the insect trap shown in FIG. 1;

The broken line showing of the base of the trap, the feet of the trap, and the internal portion of the trap in relevant drawings shows unclaimed subject matter for the design in those drawings.

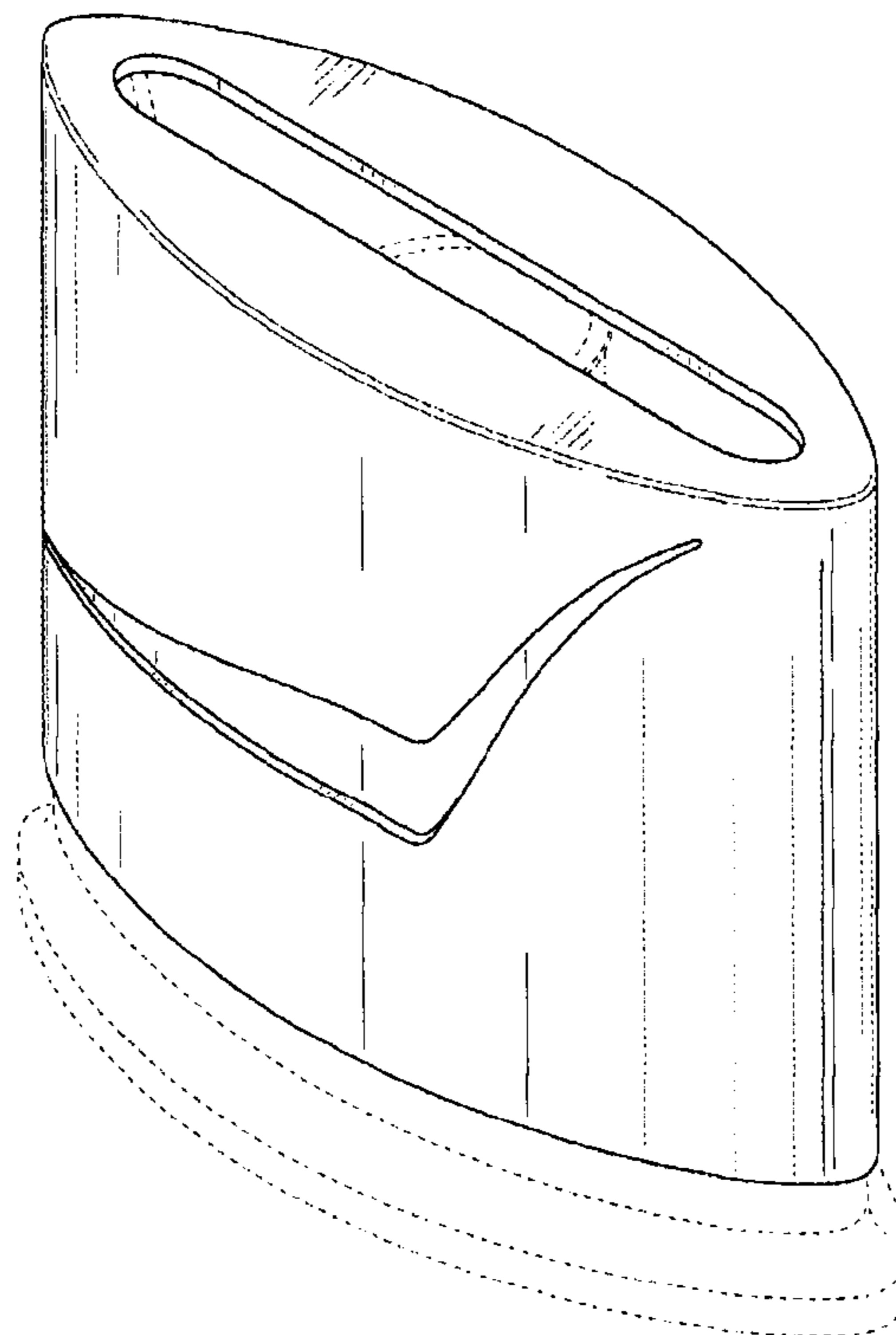
(56) **References Cited**

1 Claim, 4 Drawing Sheets

U.S. PATENT DOCUMENTS

D496,089 S *	9/2004	Lambert et al.	D22/122
6,786,001 B1 *	9/2004	Piper et al.	43/113
D623,259 S *	9/2010	Tsai	D22/122
D642,655 S *	8/2011	Galili	D22/122
D678,457 S *	3/2013	English et al.	D22/122

* cited by examiner



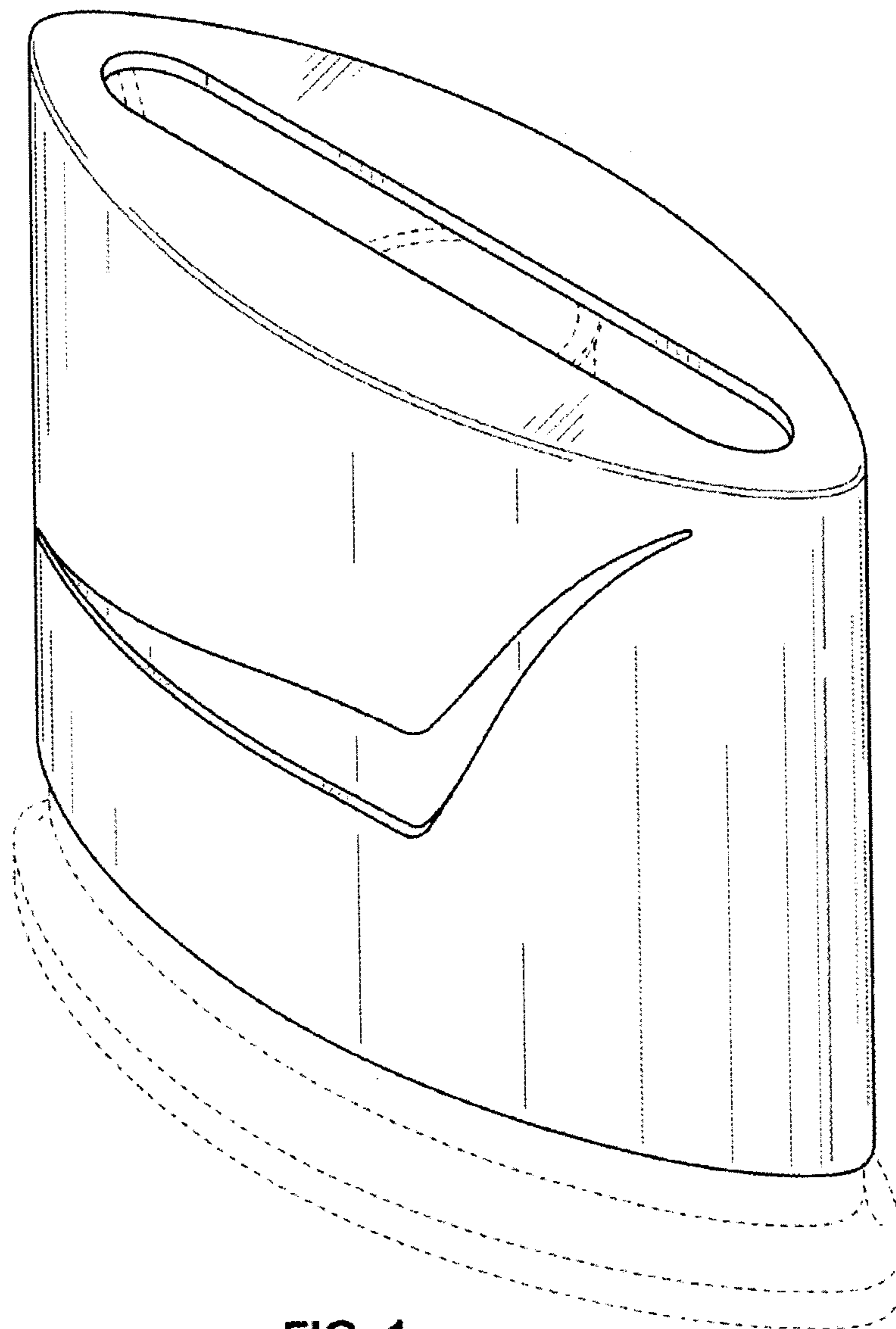


FIG. 1

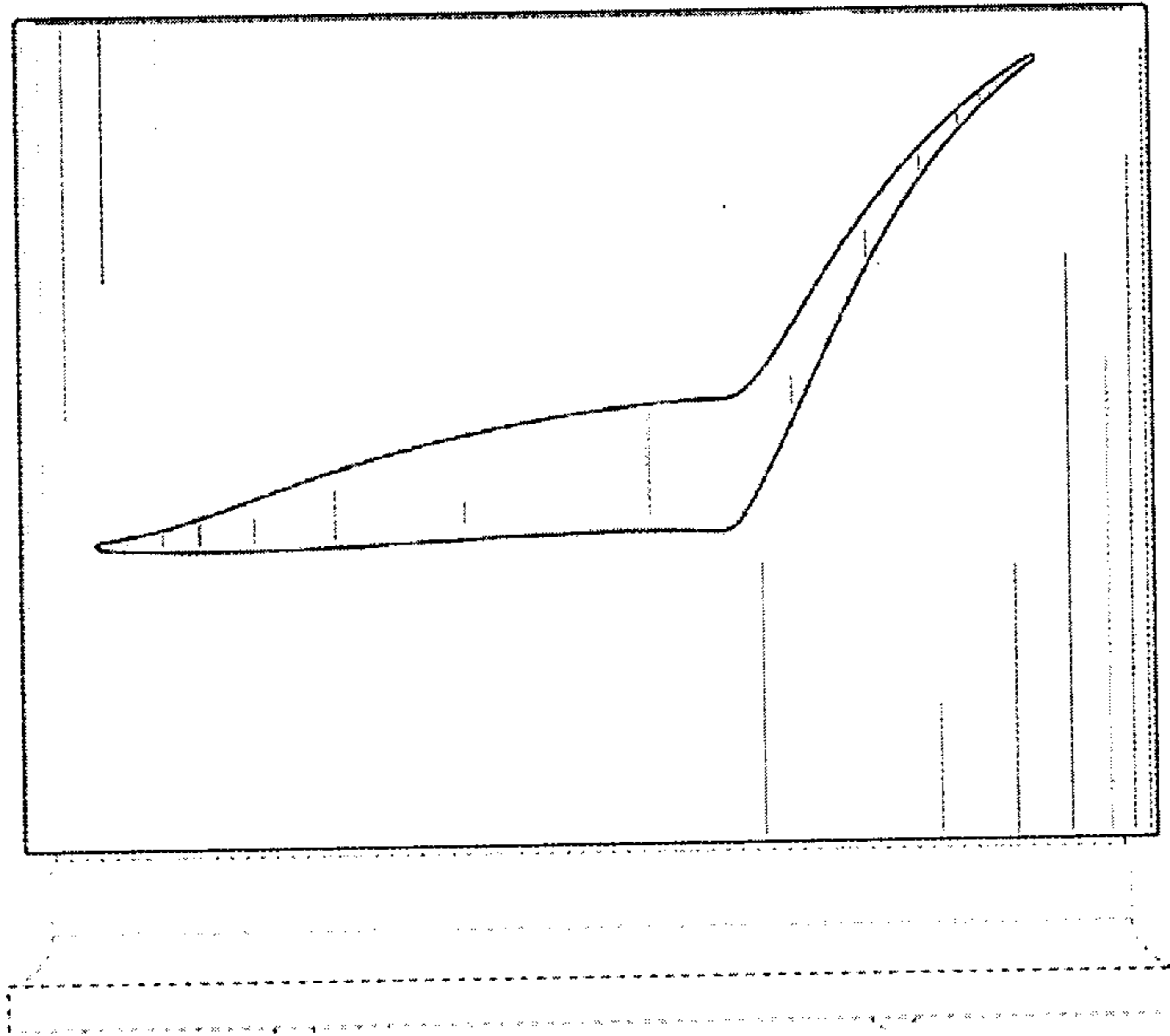


FIG. 2

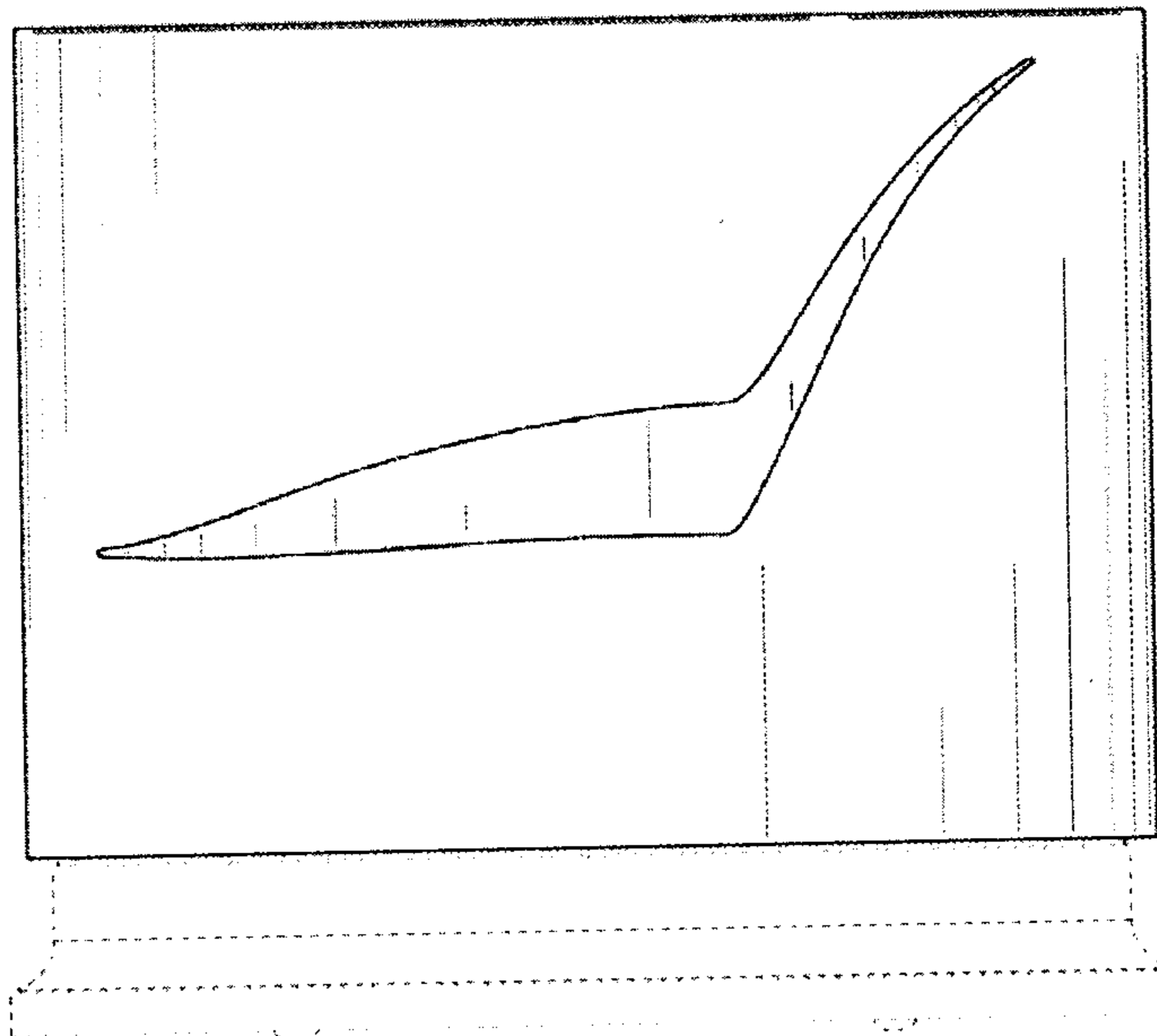


FIG. 3

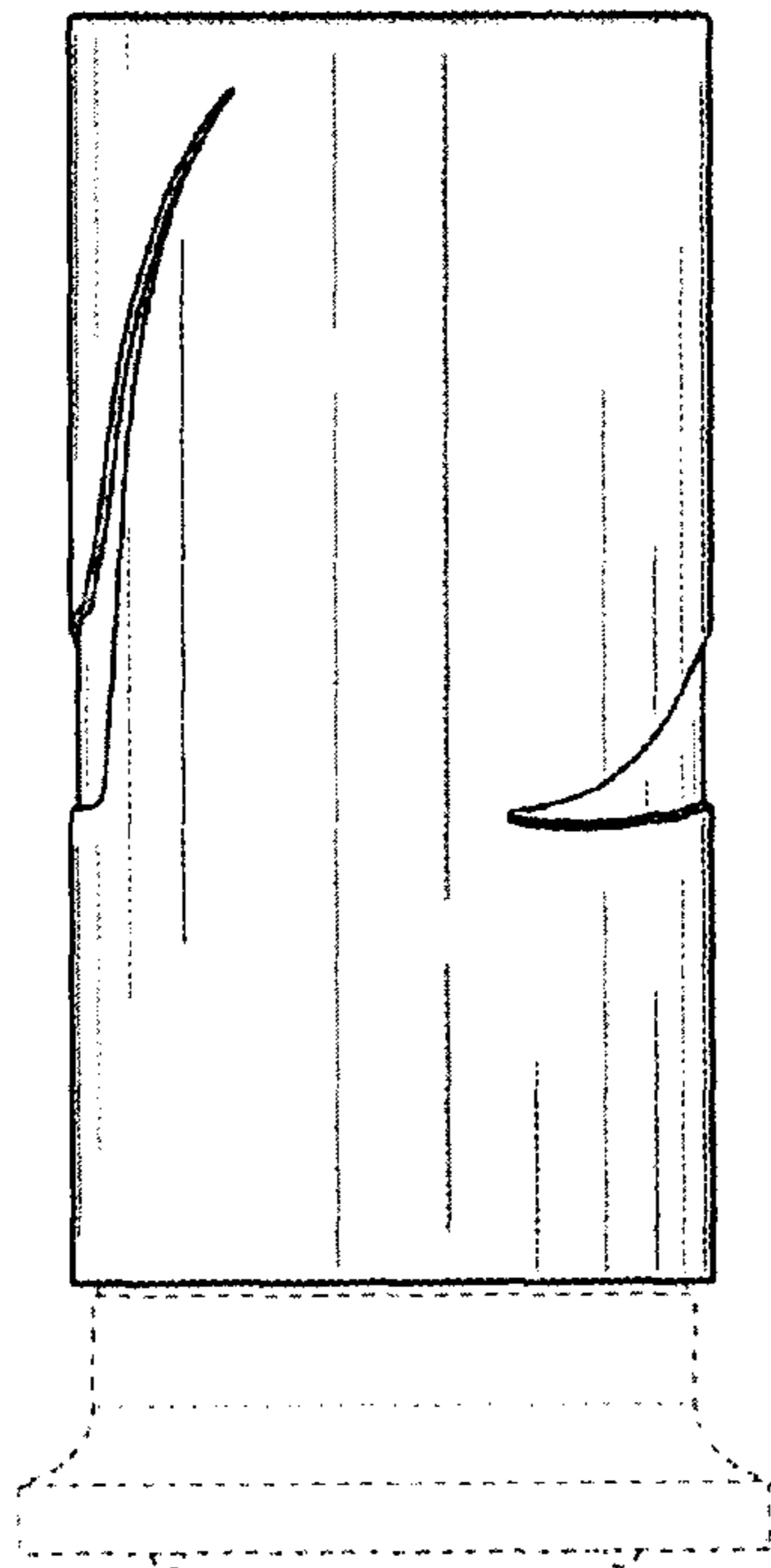


FIG. 4

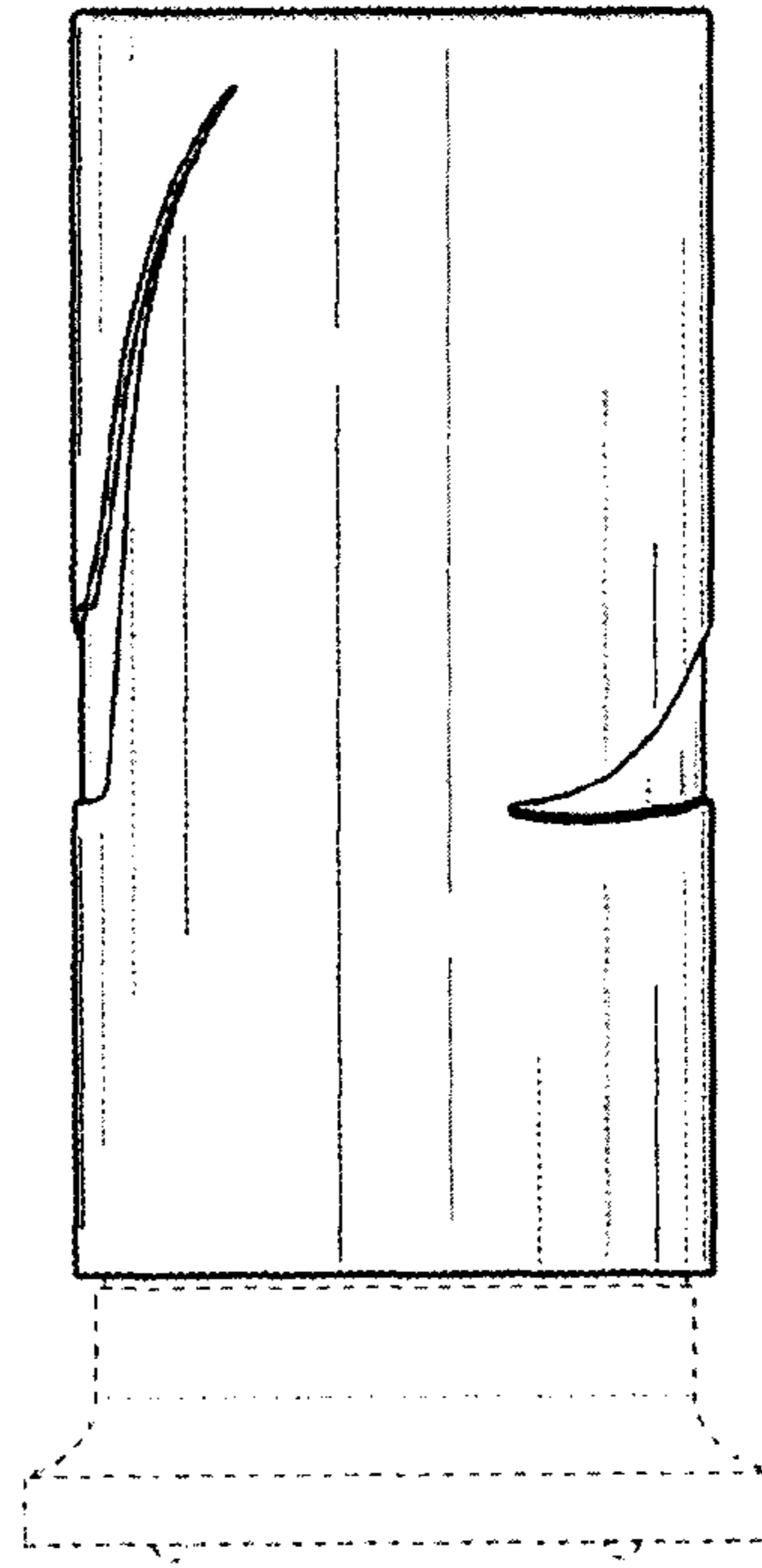


FIG. 5

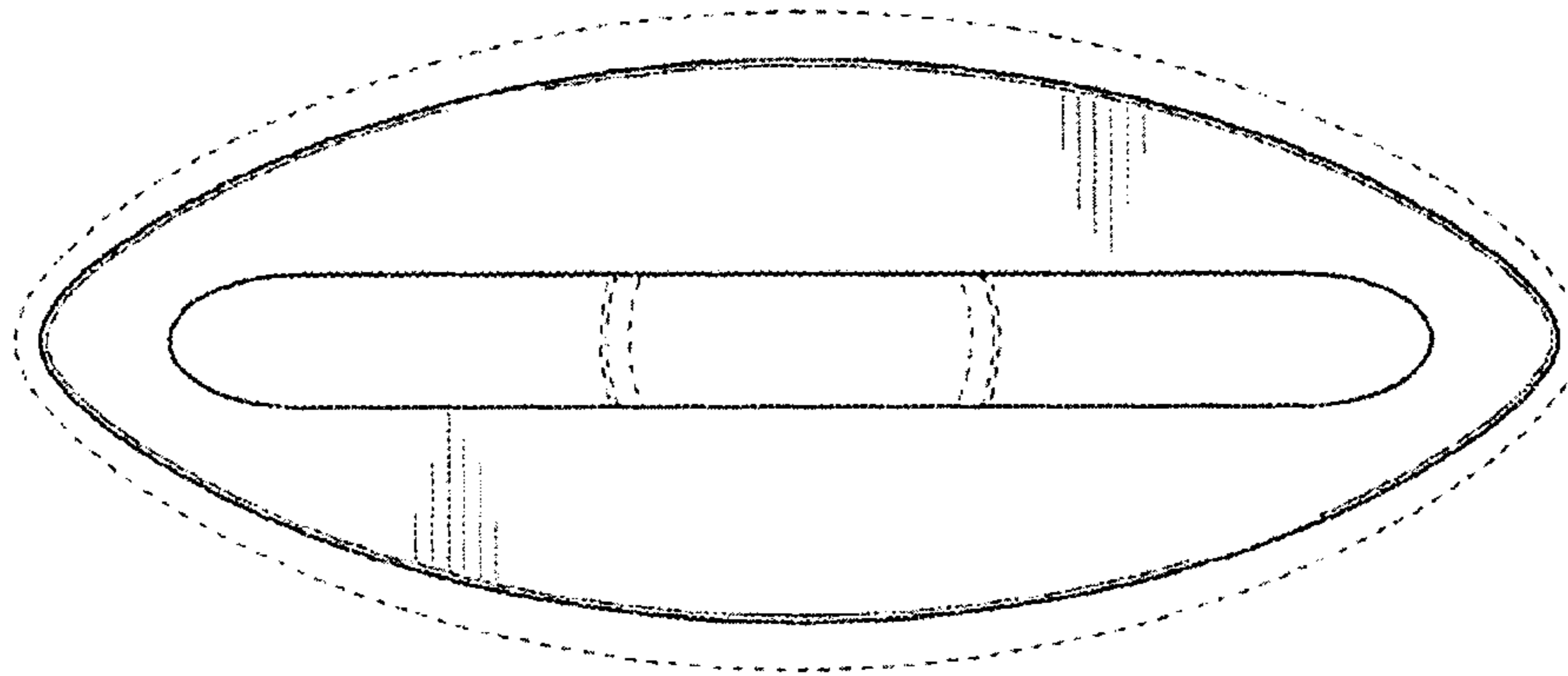


FIG. 6

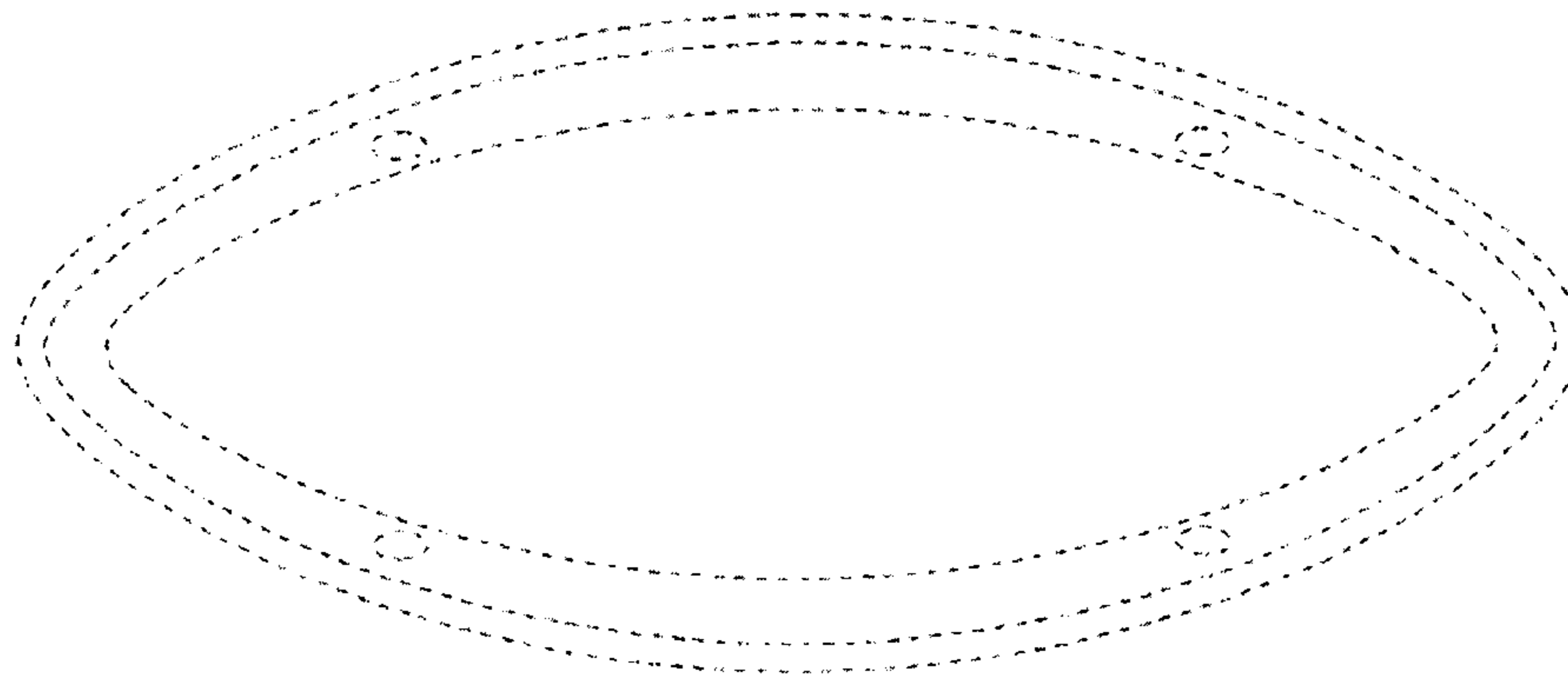


FIG. 7