

US00D692088S

(12) **United States Design Patent**
Swan

(10) **Patent No.:** **US D692,088 S**
(45) **Date of Patent:** **** Oct. 22, 2013**

- (54) **FOLDING SIGHT APERTURE**
- (76) Inventor: **Richard E. Swan**, E. Bridgewater, MA (US)
- (**) Term: **14 Years**
- (21) Appl. No.: **29/413,110**
- (22) Filed: **Feb. 10, 2012**

1,089,009 A	3/1914	Porter
1,257,713 A	2/1918	Johnson
1,260,907 A	3/1918	Johnson et al.
1,276,572 A	8/1918	Rogers
1,602,116 A	10/1926	Manahan et al.
1,908,019 A	5/1933	Howard
2,032,648 A	3/1936	Bliss
2,093,676 A	9/1937	Hennessy
2,276,446 A	3/1942	Zimmerman
2,331,903 A	10/1943	Garand
2,334,300 A	11/1943	Williams
2,437,363 A	3/1948	Smith
2,444,038 A	6/1948	Garand
2,531,421 A	11/1950	Garand
2,585,933 A	2/1952	Harvey
2,724,897 A	11/1955	Hough
2,806,288 A	9/1957	Sarvis

Related U.S. Application Data

- (60) Division of application No. 29/353,276, filed on Jan. 6, 2010, now Pat. No. Des. 657,013, which is a continuation of application No. 11/949,421, filed on Dec. 3, 2007, now Pat. No. 8,015,744, which is a continuation-in-part of application No. 10/939,962, filed on Sep. 14, 2004, now Pat. No. 7,356,962.

- (51) **LOC (9) Cl.** **22-01**
- (52) **U.S. Cl.**
USPC **D22/109**
- (58) **Field of Classification Search**
USPC D22/108-110, 199; 89/111-133;
359/399, 823, 744; 42/104, 105,
42/111-113, 116, 120, 124-126, 127-129,
42/141-148, 133-140; 33/227, 229
See application file for complete search history.

DE	151669	6/1904
GB	169397	8/1921

Primary Examiner — Michael A Pratt
(74) *Attorney, Agent, or Firm* — Barlow, Josephs & Holmes, Ltd.

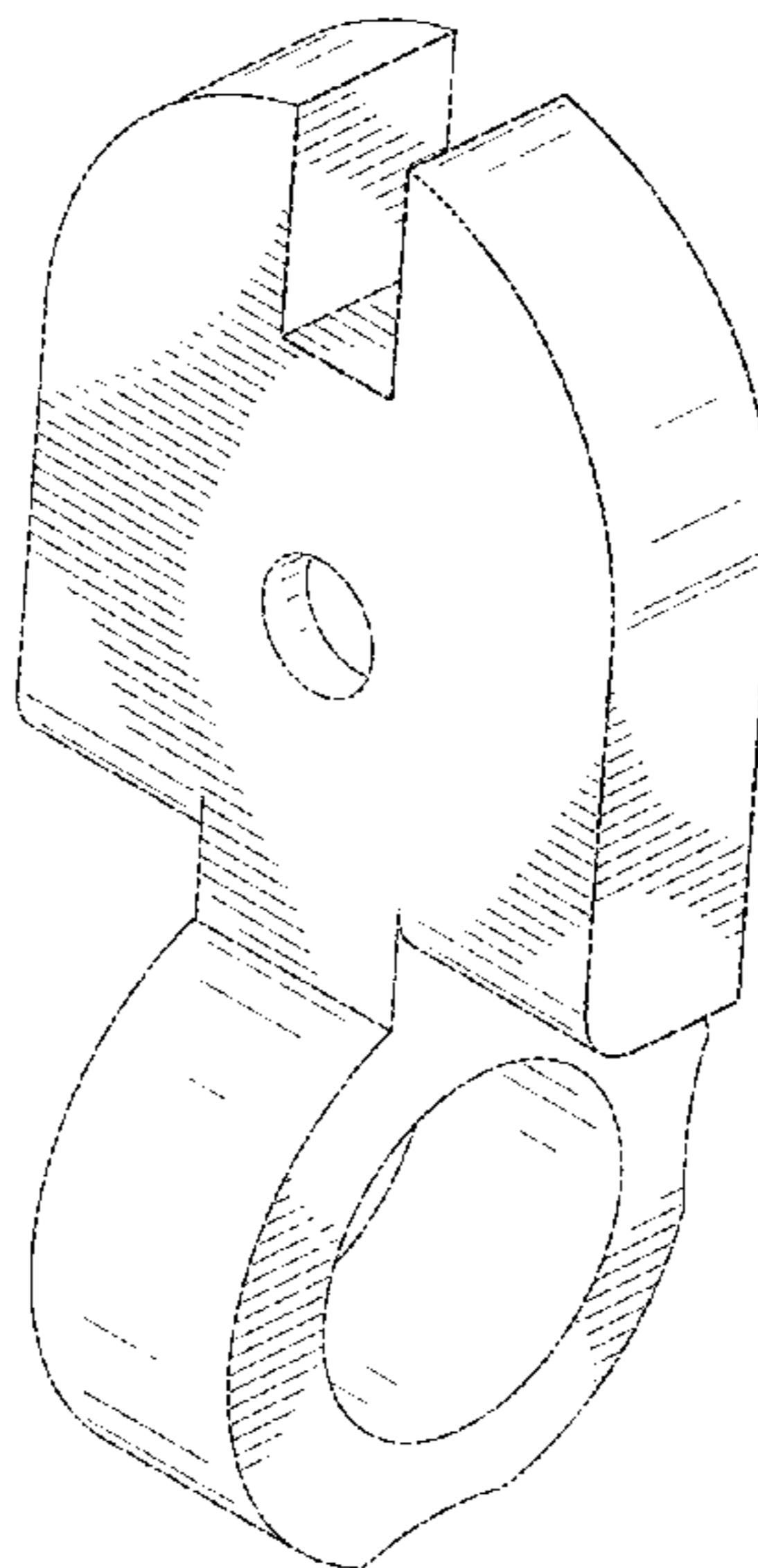
(57) **CLAIM**
The ornamental design for a folding sight aperture, as shown and described.

(56) **References Cited**
U.S. PATENT DOCUMENTS

308,699 A	12/1884	Rabbeth
396,043 A	1/1889	Lyman
426,887 A	4/1890	West
561,360 A	6/1896	Taylor
564,514 A	7/1896	Fuller
805,770 A	11/1905	Bassell et al.
878,857 A	2/1908	Bevier
894,275 A	7/1908	Marble
894,755 A	7/1908	Snedden
1,034,925 A	8/1912	Newitt

DESCRIPTION
FIG. 1 a perspective view of a folding sight aperture in accordance with the present invention;
FIG. 2 is a front view thereof;
FIG. 3 is a rear view thereof;
FIG. 4 is a left side view thereof;
FIG. 5 is a right side view thereof;
FIG. 6 is a top view thereof; and,
FIG. 7 is a bottom view thereof.

1 Claim, 6 Drawing Sheets



(56)

References Cited

U.S. PATENT DOCUMENTS

2,939,217	A	6/1960	Hajek	6,622,415	B1	9/2003	Canaday et al.
3,930,316	A	1/1976	Tellie	6,722,075	B1	4/2004	Gabaldon
3,969,827	A	7/1976	Ellis	6,732,467	B1	5/2004	Luth
4,665,622	A	5/1987	Idan	6,779,290	B1	8/2004	Houtsma
4,691,442	A	9/1987	Center	D508,726	S	8/2005	Storch
4,957,211	A	9/1990	Ekkert et al.	6,968,643	B2	11/2005	Woodbury
5,533,292	A	7/1996	Swan	7,076,907	B2	7/2006	Nesseth et al.
D407,788	S	4/1999	Kay	D526,380	S	8/2006	Swan
6,490,822	B1	12/2002	Swan	7,181,882	B2	2/2007	Woodbury
6,568,118	B1	5/2003	Teetzel	D594,083	S	6/2009	Mayberry et al.
6,606,813	B1	8/2003	Squire et al.	D602,113	S	10/2009	Ballard
6,615,530	B2	9/2003	Johansson	D602,114	S	10/2009	Ballard
				D666,689	S	9/2012	Swan D22/109
				2003/0140546	A1	7/2003	Kay

* cited by examiner

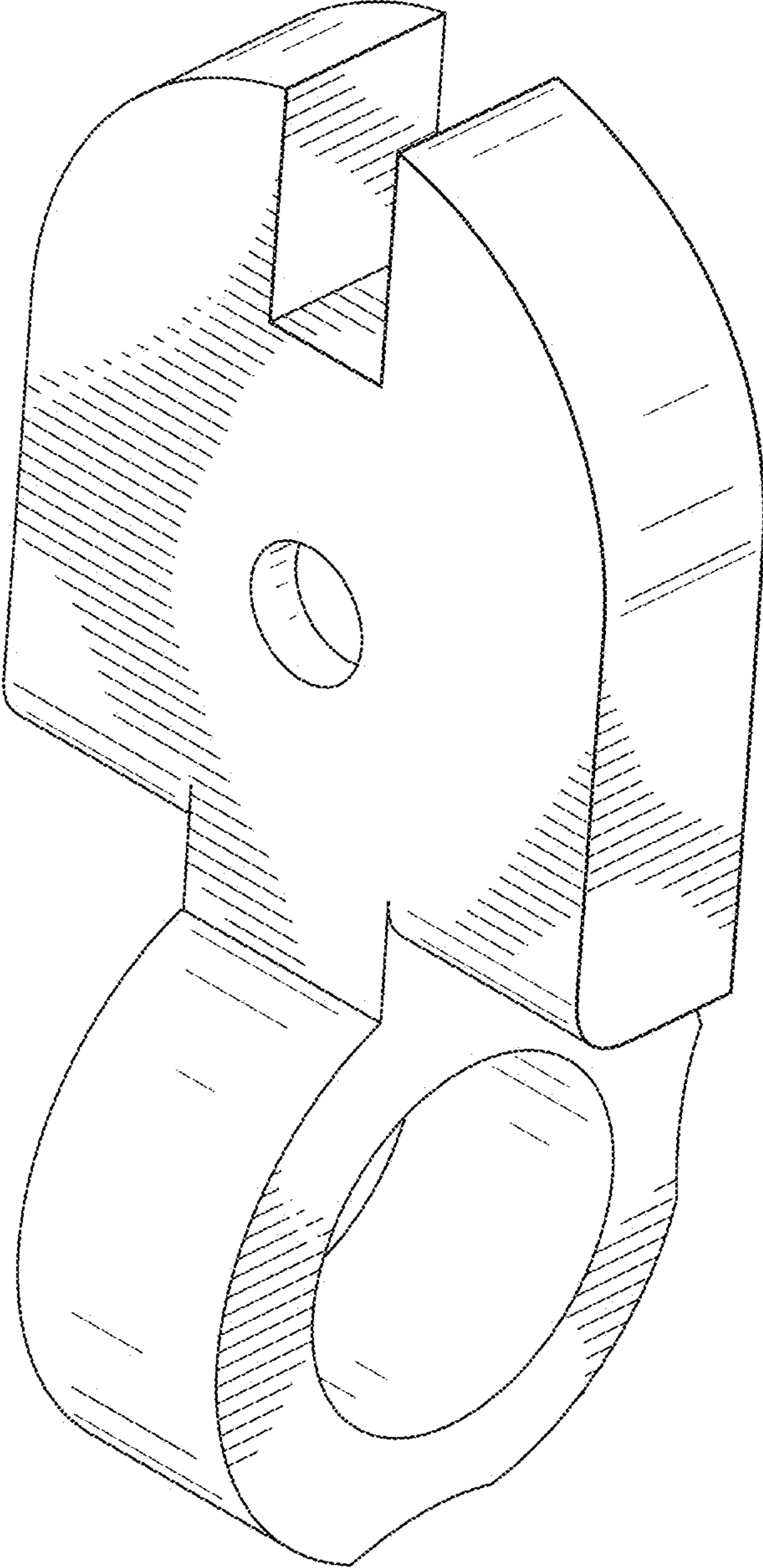


FIG. 1

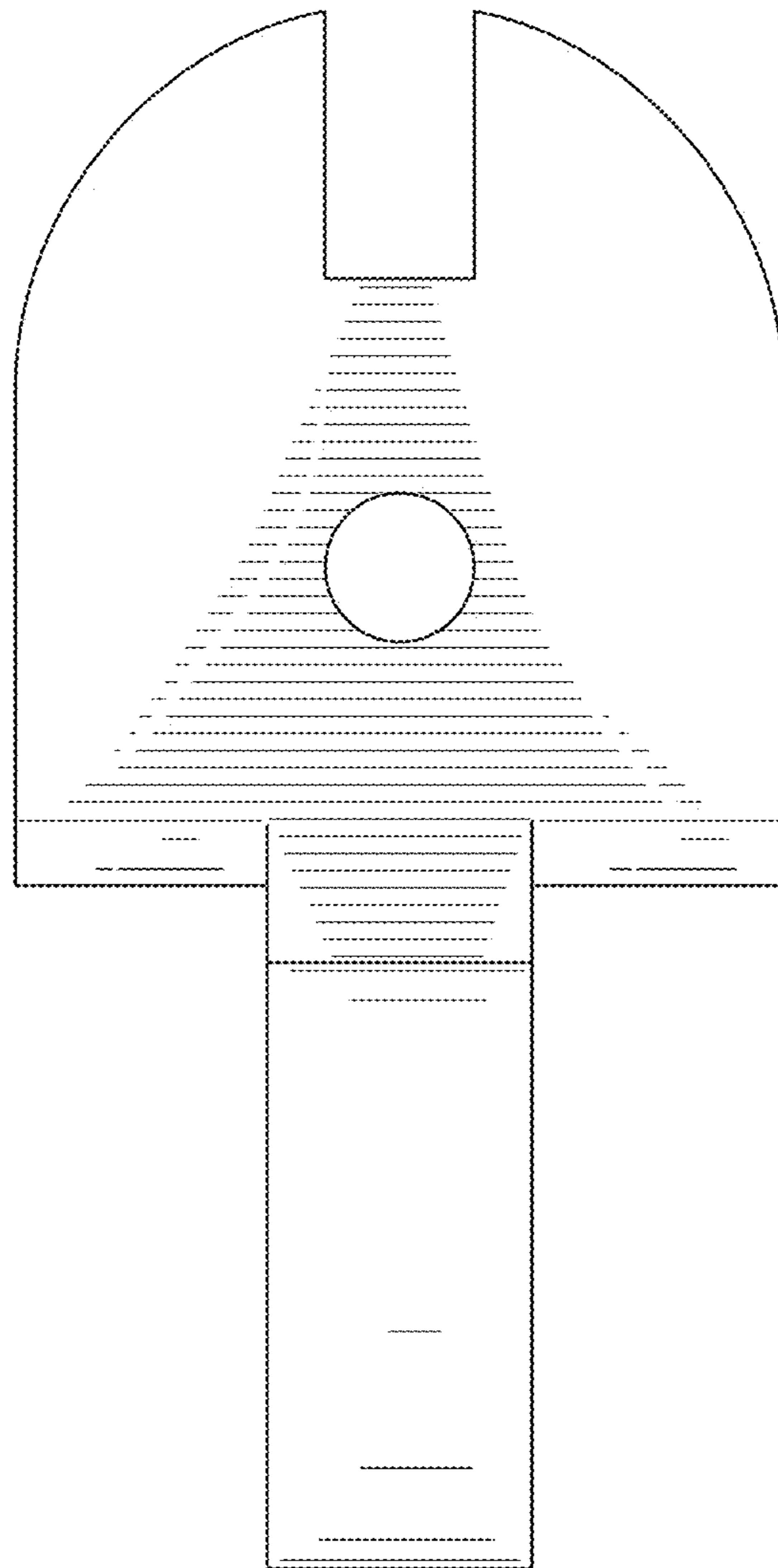


FIG. 2

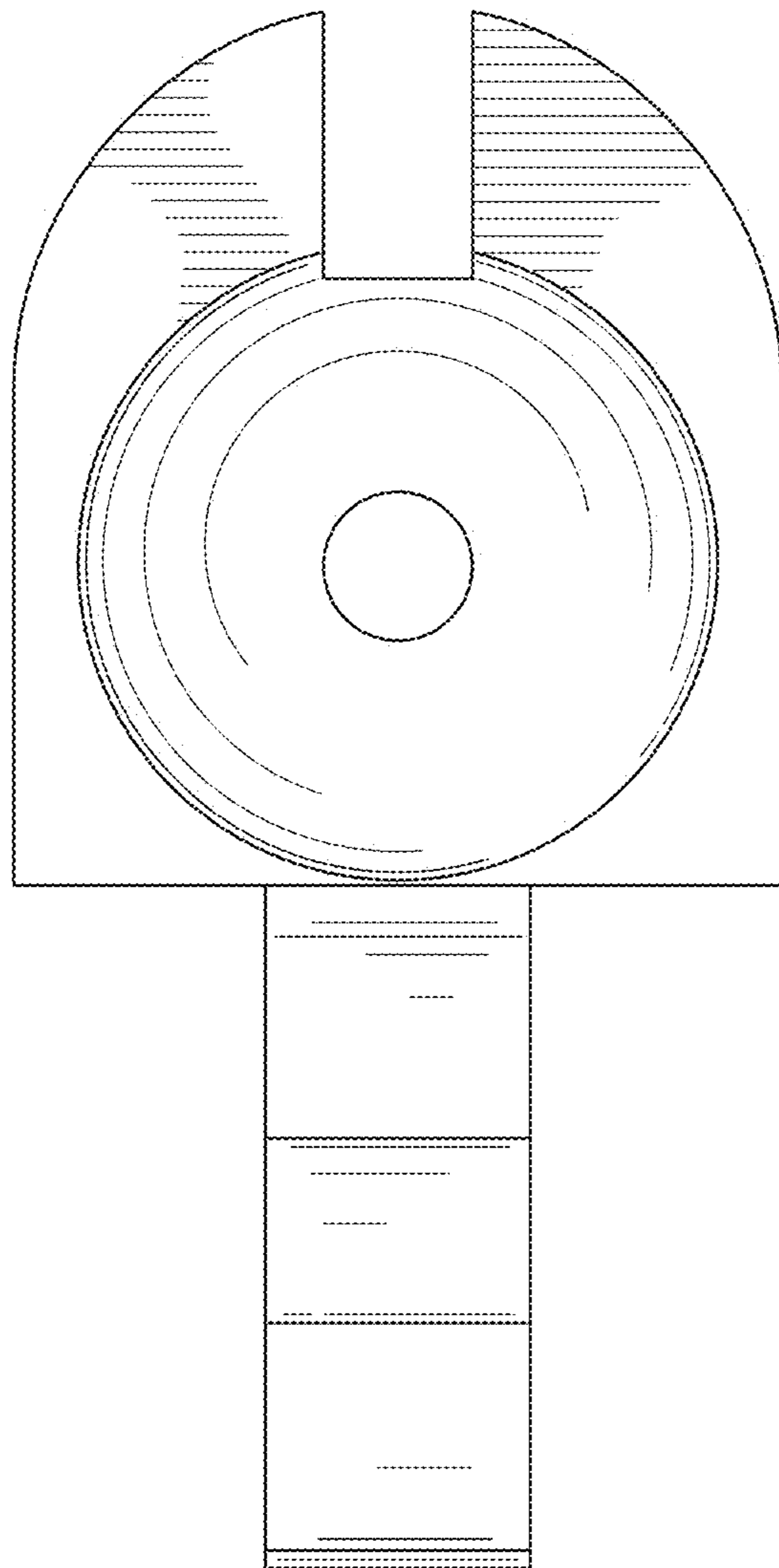


FIG. 3

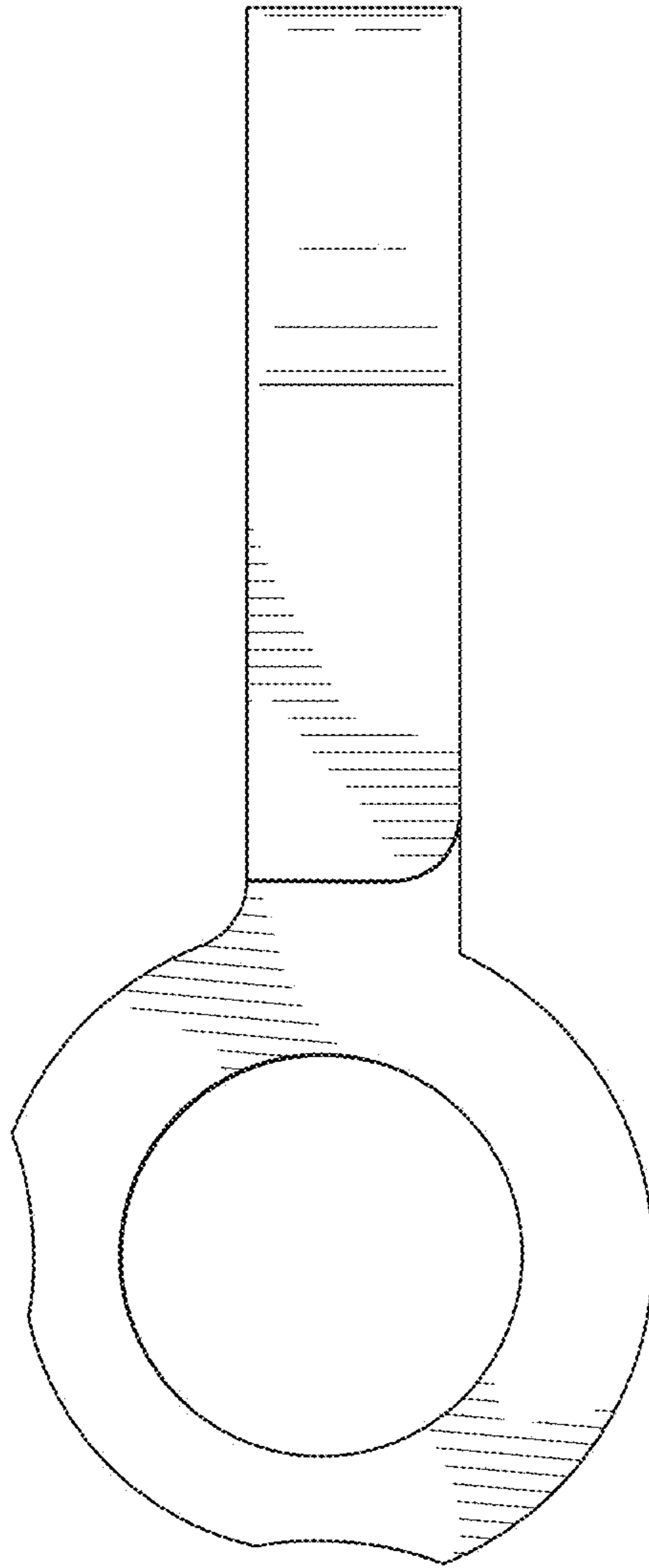


FIG. 4

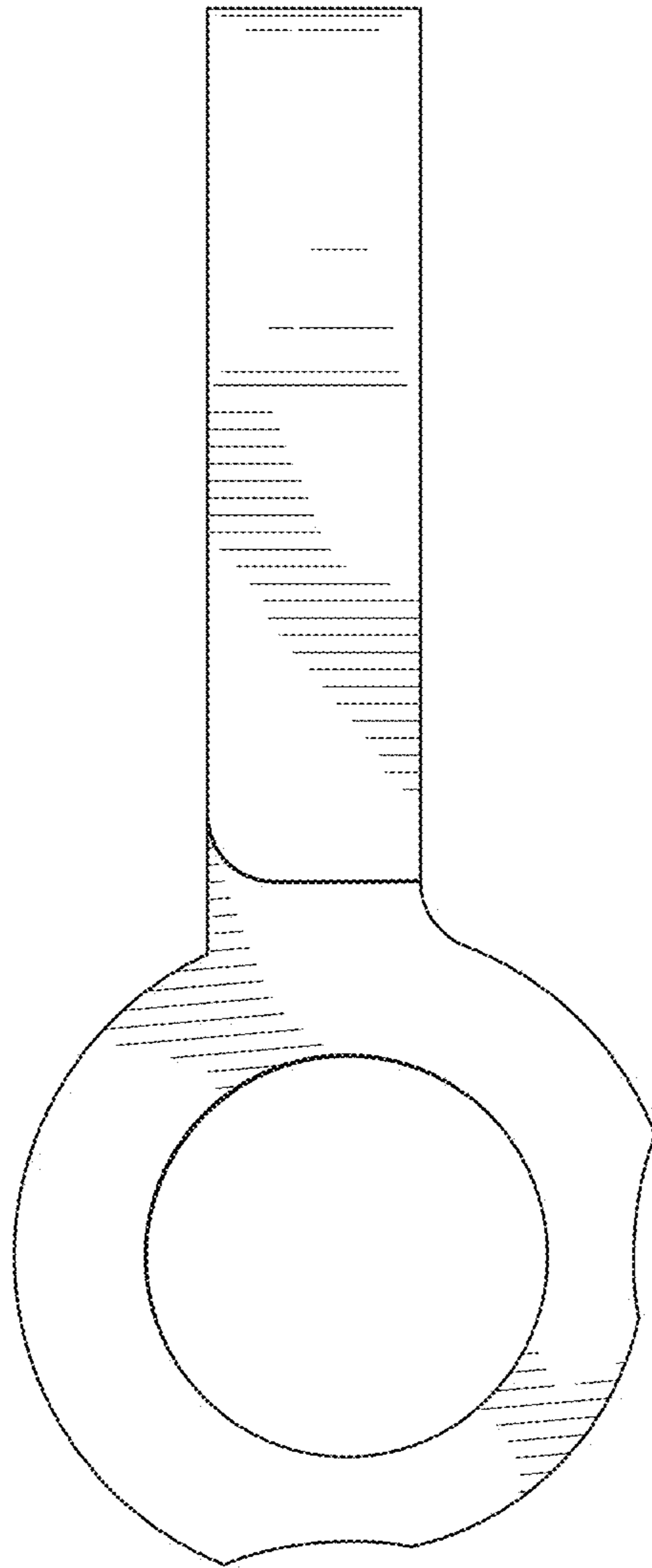


FIG. 5



FIG. 6



FIG. 7