



US00D692087S

(12) **United States Design Patent**
Fitzpatrick et al.

(10) **Patent No.:** **US D692,087 S**

(45) **Date of Patent:** **** Oct. 22, 2013**

(54) **RIFLE STOCK**

D636,833 S 4/2011 Mayberry
D636,834 S 4/2011 Mayberry
D639,891 S 6/2011 Chvala

(Continued)

(75) Inventors: **Richard Fitzpatrick**, Longmont, CO (US); **Michael T. Mayberry**, Denver, CO (US); **Eric Christopher Burt**, Broomfield, CO (US); **Thomas Ward, Jr.**, Thornton, CO (US)

OTHER PUBLICATIONS

Command Arms Accessories Online Catalog (2008) SRS Product Information.

(Continued)

(73) Assignee: **Magpul Industries Corporation**, Erie, CO (US)

Primary Examiner — Michael A Pratt

(**) Term: **14 Years**

(74) *Attorney, Agent, or Firm* — Swanson & Bratschun, L.L.C.

(21) Appl. No.: **29/428,433**

(22) Filed: **Jul. 31, 2012**

(57) **CLAIM**

The ornamental design for a rifle stock, as shown and described.

(51) **LOC (9) Cl.** **22-01**

(52) **U.S. Cl.**
USPC **D22/108**

DESCRIPTION

(58) **Field of Classification Search**
USPC D22/100, 101, 103, 104, 108;
D21/572-575; 42/51, 90, 71.01, 71.02,
42/73, 75.01, 75.02; 89/40.06, 37.04,
89/33.04
See application file for complete search history.

FIG. 1 is a right side elevation view of a rifle stock attached to a firearm showing my new design;
FIG. 2 is a left, rear, bottom perspective view of the rifle stock of FIG. 1 with the firearm omitted;
FIG. 3 is a right side elevation view of the rifle stock of FIG. 1 with the firearm omitted;
FIG. 4 is a left side elevation view of the rifle stock of FIG. 1 with the firearm omitted;
FIG. 5 is a rear elevation view of the rifle stock of FIG. 1 with the firearm omitted;
FIG. 6 is a front elevation view of the rifle stock of FIG. 1 with the firearm omitted;
FIG. 7 is a top plan view of the rifle stock of FIG. 1 with the firearm omitted;
FIG. 8 is a bottom plan view of the rifle stock of FIG. 1 with the firearm omitted; and,
FIG. 9 is a right, rear, bottom perspective view of the rifle stock of FIG. 1 with the firearm omitted.

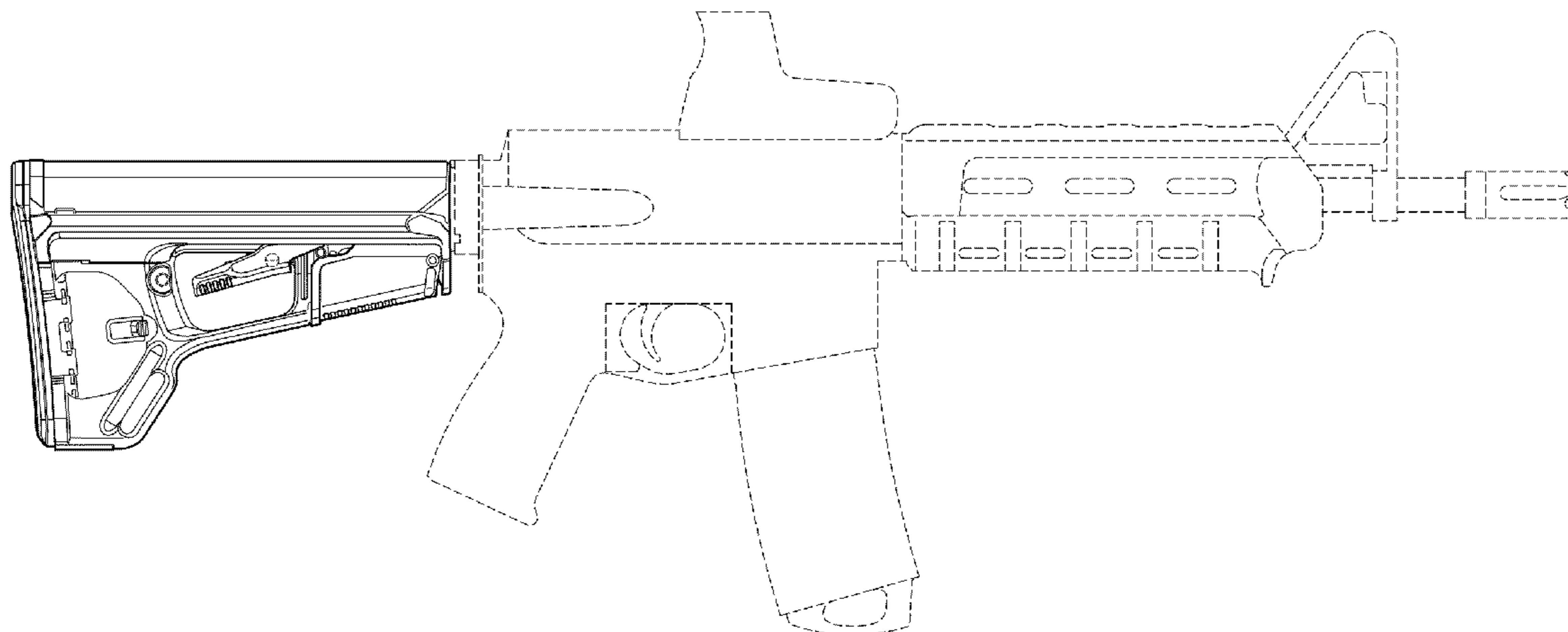
The broken lines showing portions of the design in all figures is included for the purpose of illustrating environment and unclaimed features and forms not part of the claimed design.

(56) **References Cited**

U.S. PATENT DOCUMENTS

922,173	A *	5/1909	Lovlace	89/139
D196,304	S	9/1963	Hope	
D304,223	S	10/1989	Ruger	
D324,557	S	3/1992	Livingston	
D462,104	S	8/2002	McCarthy	
D514,123	S	1/2006	Naruki	
D516,660	S	3/2006	Murello	
D516,807	S	3/2006	Richardson	
D517,637	S	3/2006	Murello	
7,162,823	B2	1/2007	Schoppman	
D551,313	S	9/2007	Saur	
D603,013	S	10/2009	Fitzpatrick	
D606,614	S	12/2009	Fitzpatrick	
7,647,719	B2	1/2010	Fitzpatrick	
7,827,722	B1 *	11/2010	Davies	42/75.02

1 Claim, 7 Drawing Sheets



(56)

References Cited

U.S. PATENT DOCUMENTS

D640,342	S	6/2011	Fitzpatrick	
D645,110	S	9/2011	Cook	
D648,412	S	11/2011	Cook	
D661,366	S	6/2012	Zusman	
D668,311	S	10/2012	Rogers	
D676,921	S	2/2013	Fitzpatrick	
2007/0130817	A1	6/2007	Ballard	
2007/0180984	A1	8/2007	Huther	
2008/0028662	A1	2/2008	Abraham	
2008/0052979	A1	3/2008	Lee	
2008/0168695	A1	7/2008	Nakayama	
2008/0236016	A1	10/2008	Fitzpatrick	
2008/0236017	A1	10/2008	Fitzpatrick	
2009/0241397	A1	10/2009	Fitzpatrick	
2010/0115817	A1*	5/2010	Faifer	42/71.01
2010/0205846	A1	8/2010	Fitzpatrick	
2010/0251590	A1	10/2010	Fitzpatrick	
2010/0275489	A1*	11/2010	Cabahug et al.	42/71.01
2011/0173863	A1	7/2011	Ingram	

2011/0192067	A1	8/2011	Troy
2011/0283586	A1	11/2011	Scallie
2012/0073177	A1	3/2012	Laney
2012/0174455	A1	7/2012	Edelman
2012/0174456	A1	7/2012	Depierro
2012/0174457	A1	7/2012	Edelman
2012/0279384	A1	11/2012	Hochstrate

OTHER PUBLICATIONS

Heckler & Koch Online Catalog (2008) PSG1A1 Product Information.

Magpul Online Catalog (2007) FAL Preproduction Product Information.

Magpul Online Catalog (2007) PRS Ar15/M16 Product Information. Design U.S. Appl. No. 29/399,326, filed Aug. 12, 2011, "ACS Rifle Stock" by Fitzpatrick.

Design U.S. Appl. No. 29/405,857, filed Nov. 7, 2011, "STR Stock" by Fitzpatrick.

Design U.S. Appl. No. 29/403,627, filed Oct. 7, 2011, "870 Stock" by Mayberry.

* cited by examiner

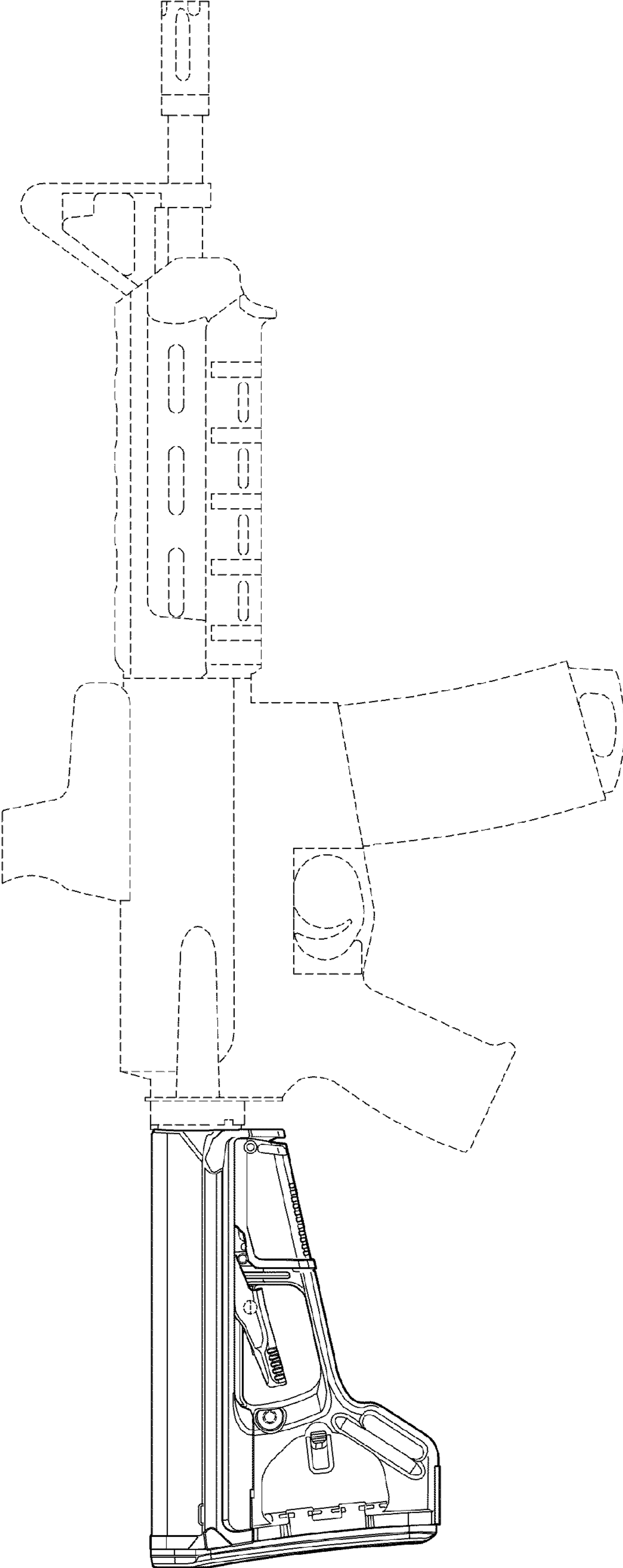


FIG. 1

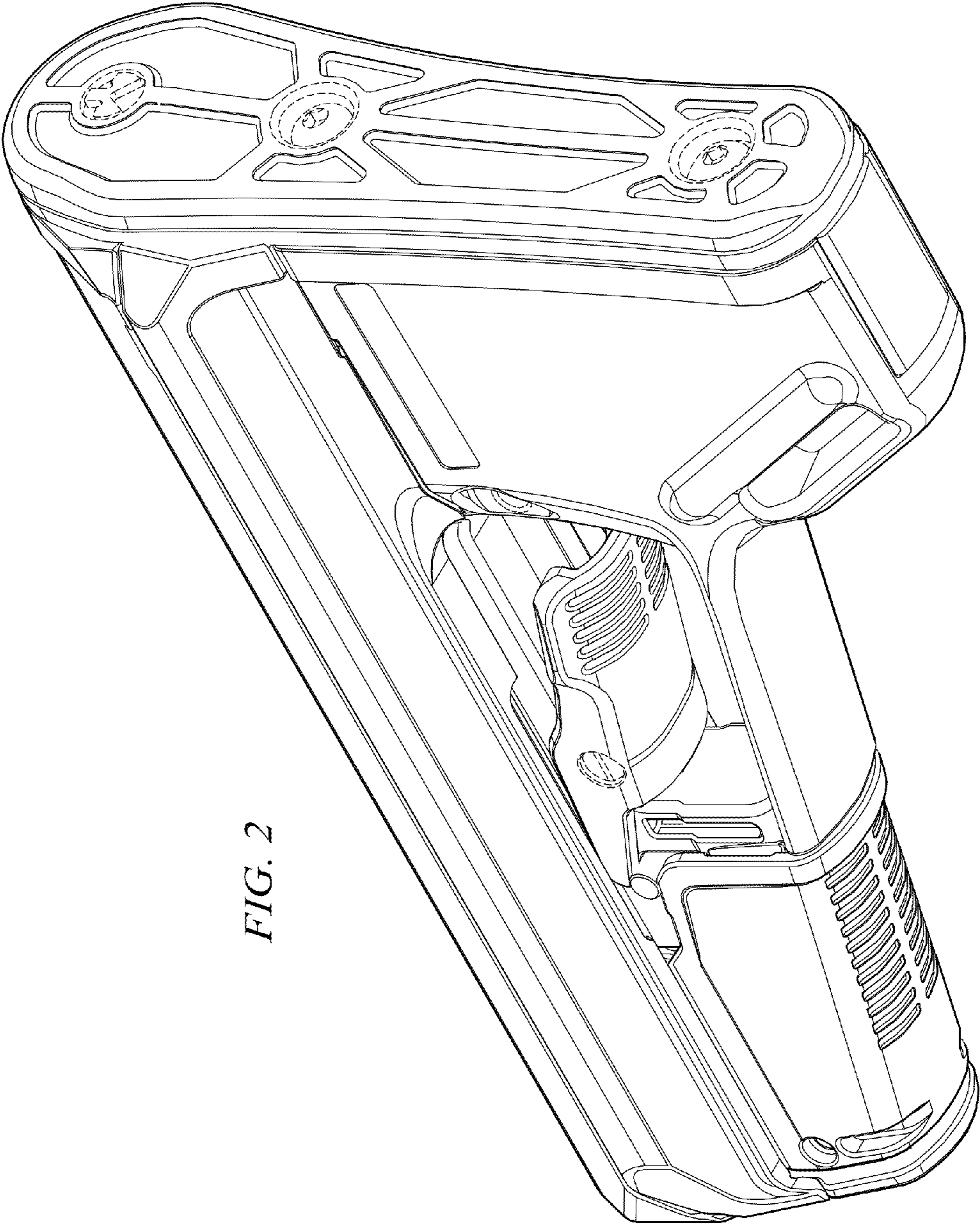


FIG. 2

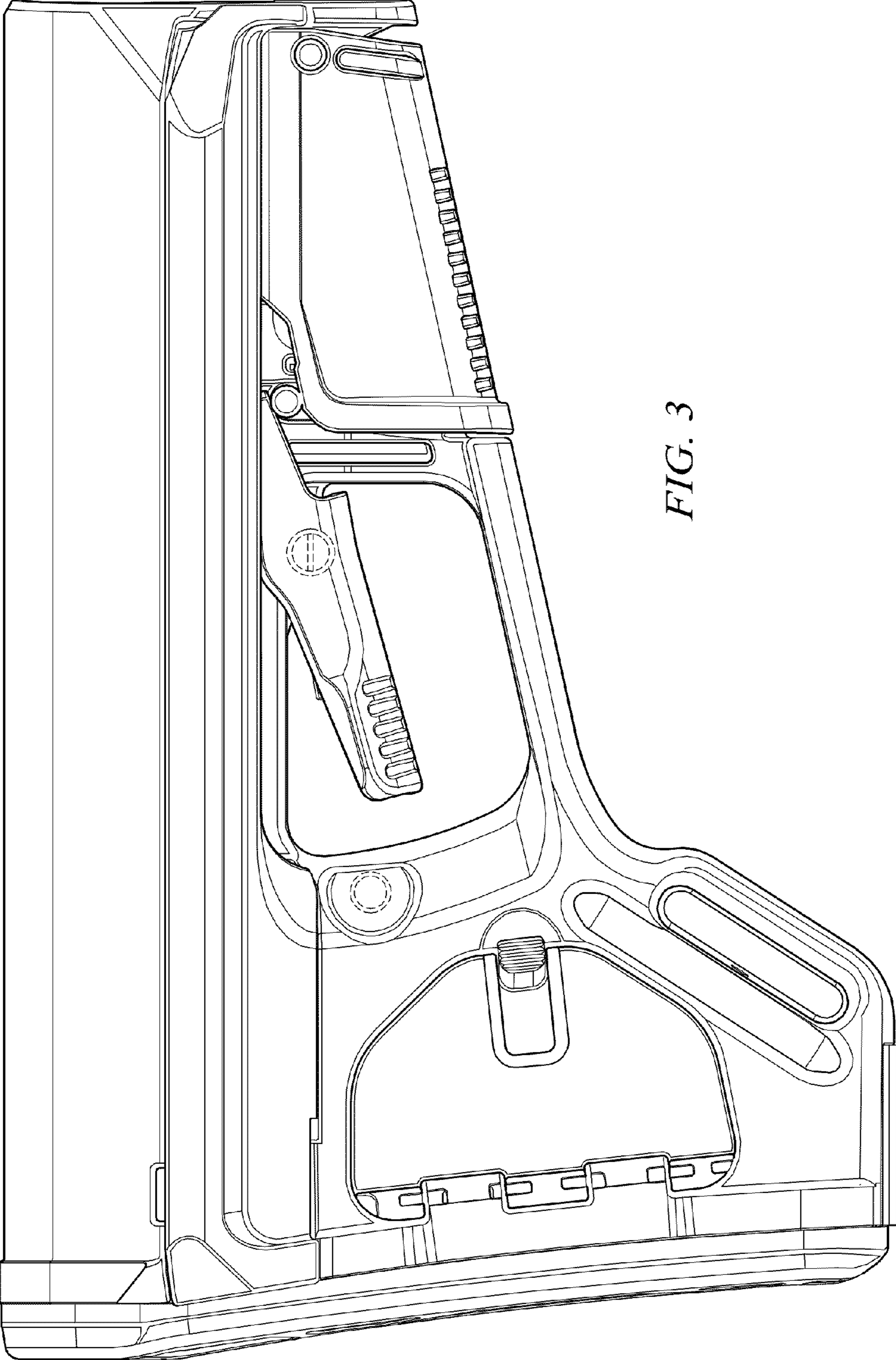


FIG. 3

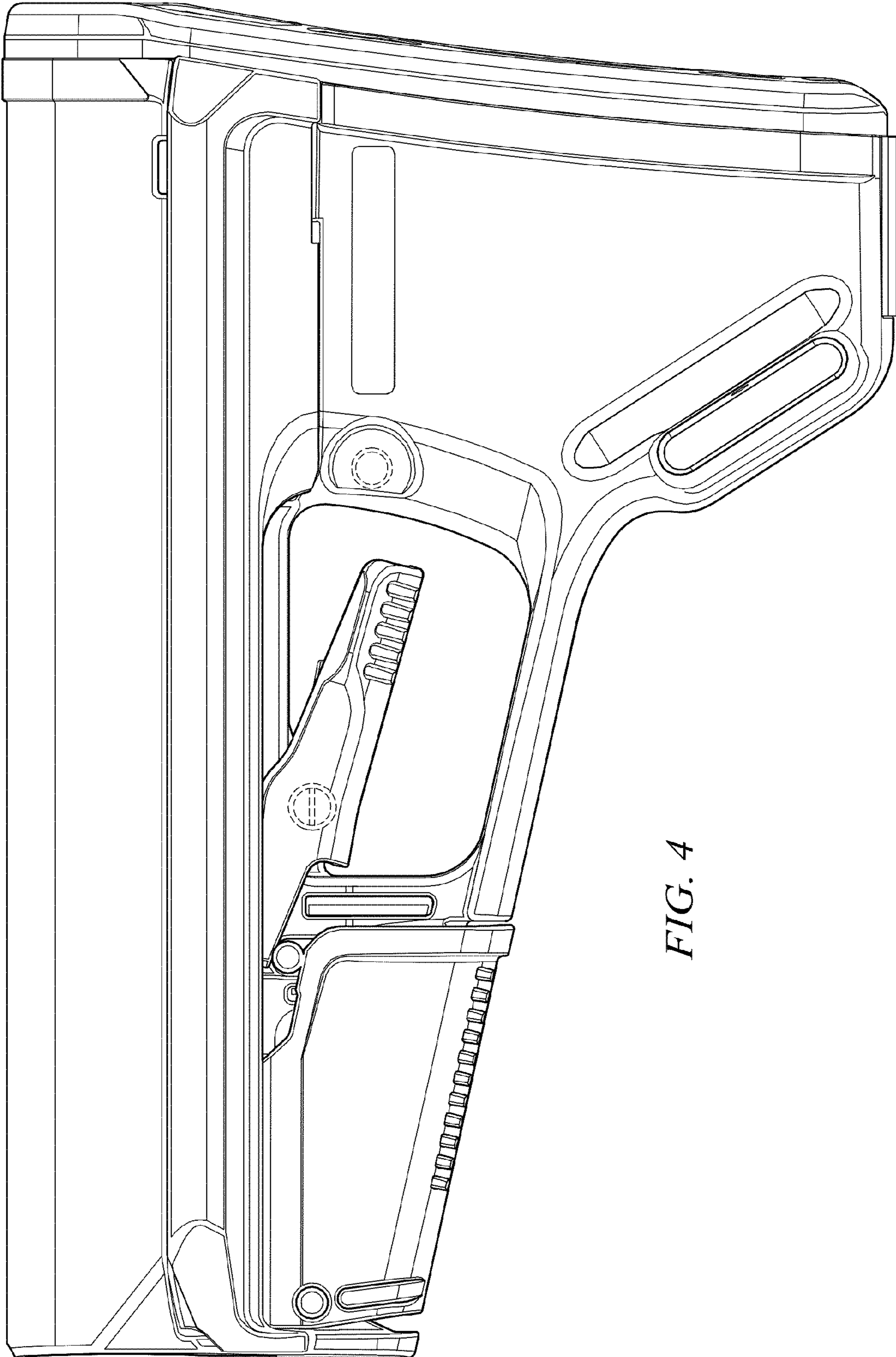


FIG. 4

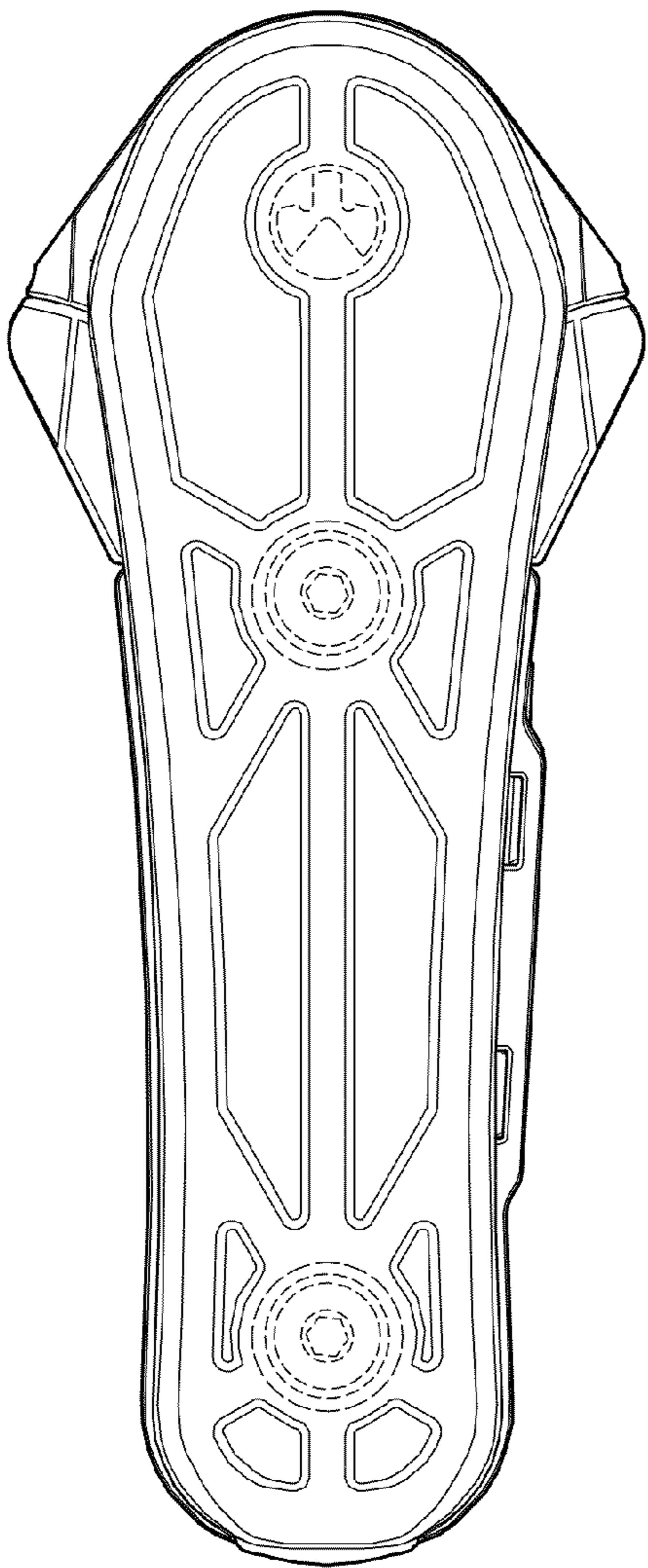


FIG. 5

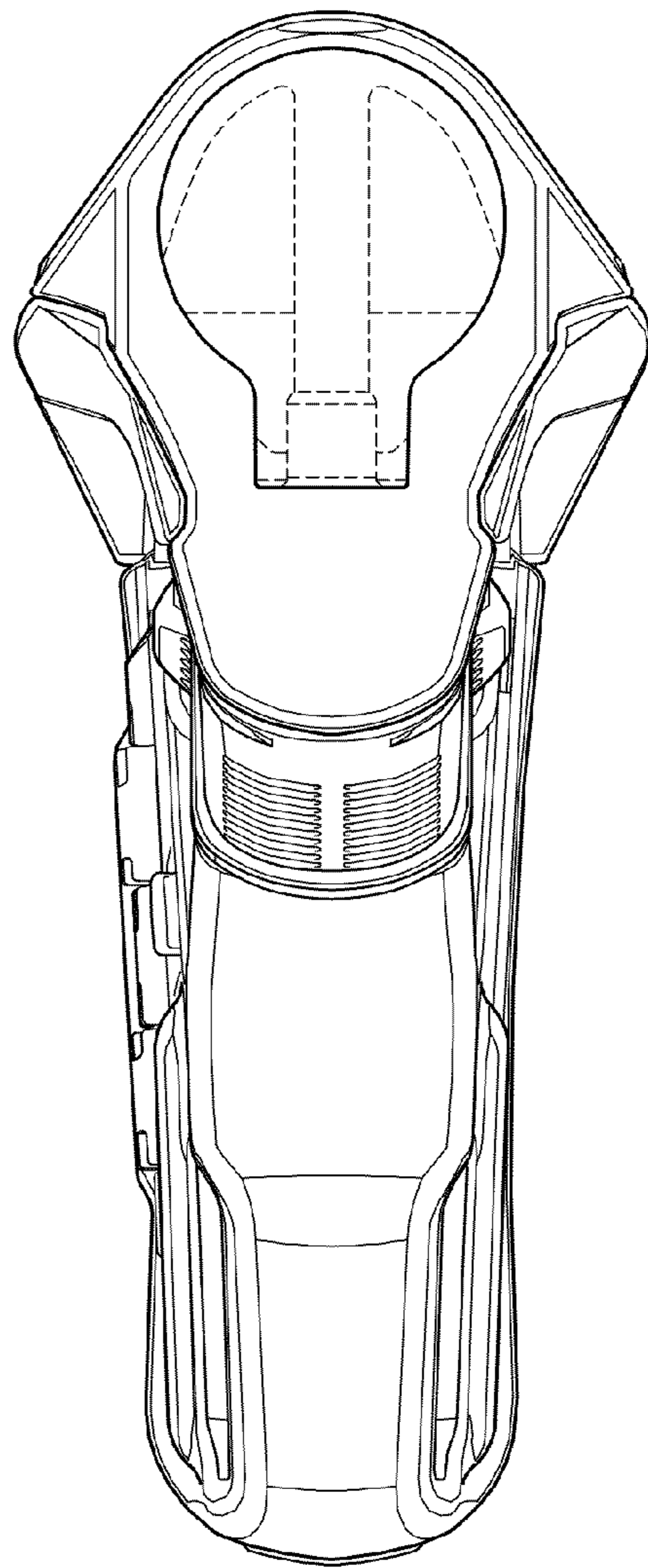


FIG. 6

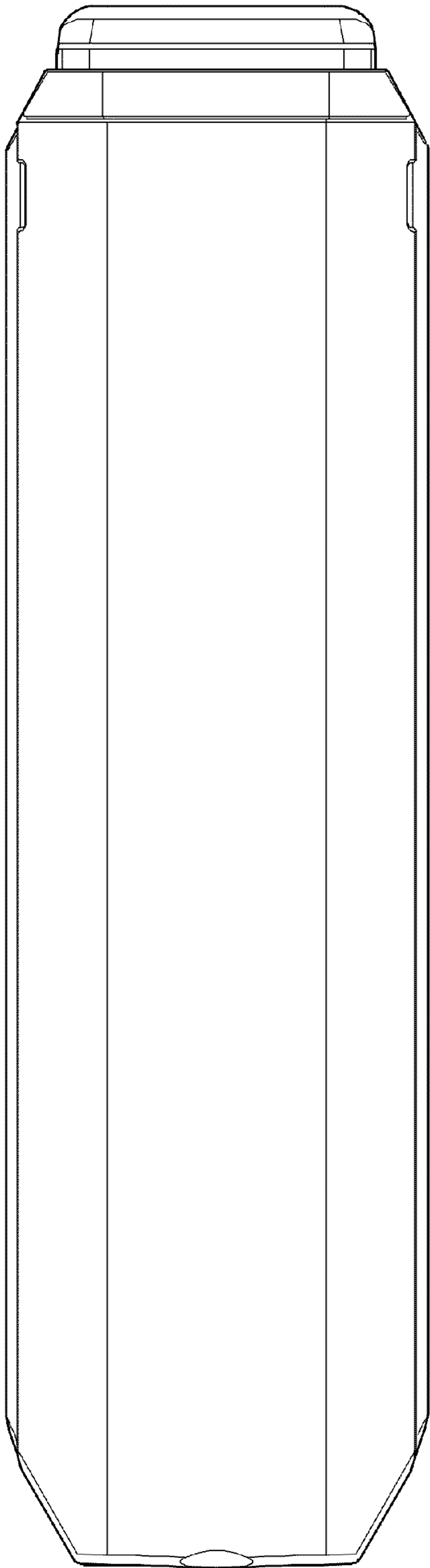


FIG. 7

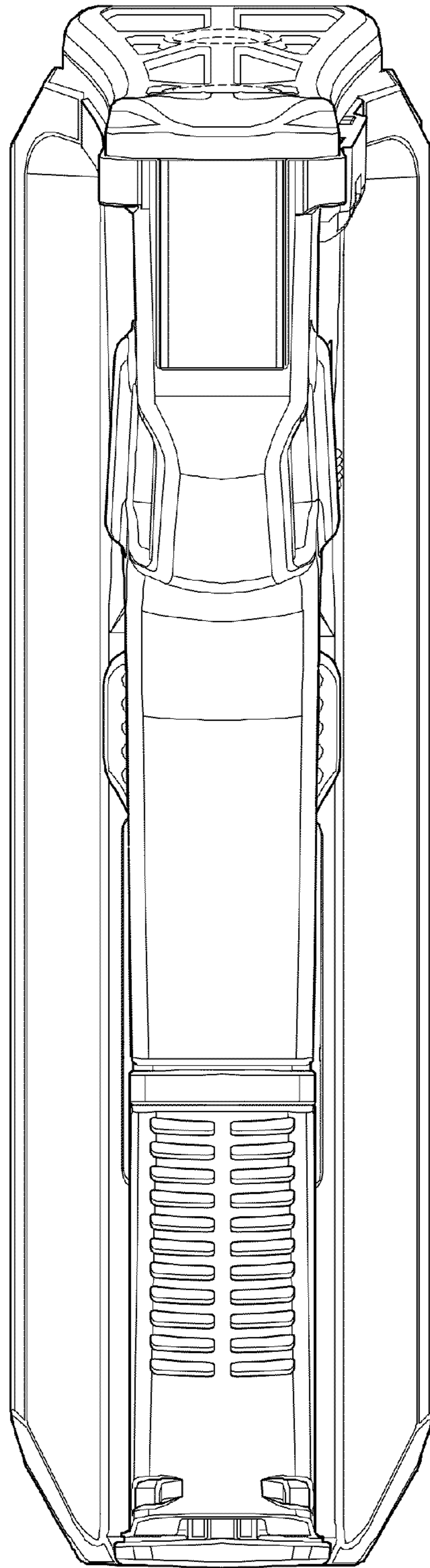


FIG. 8

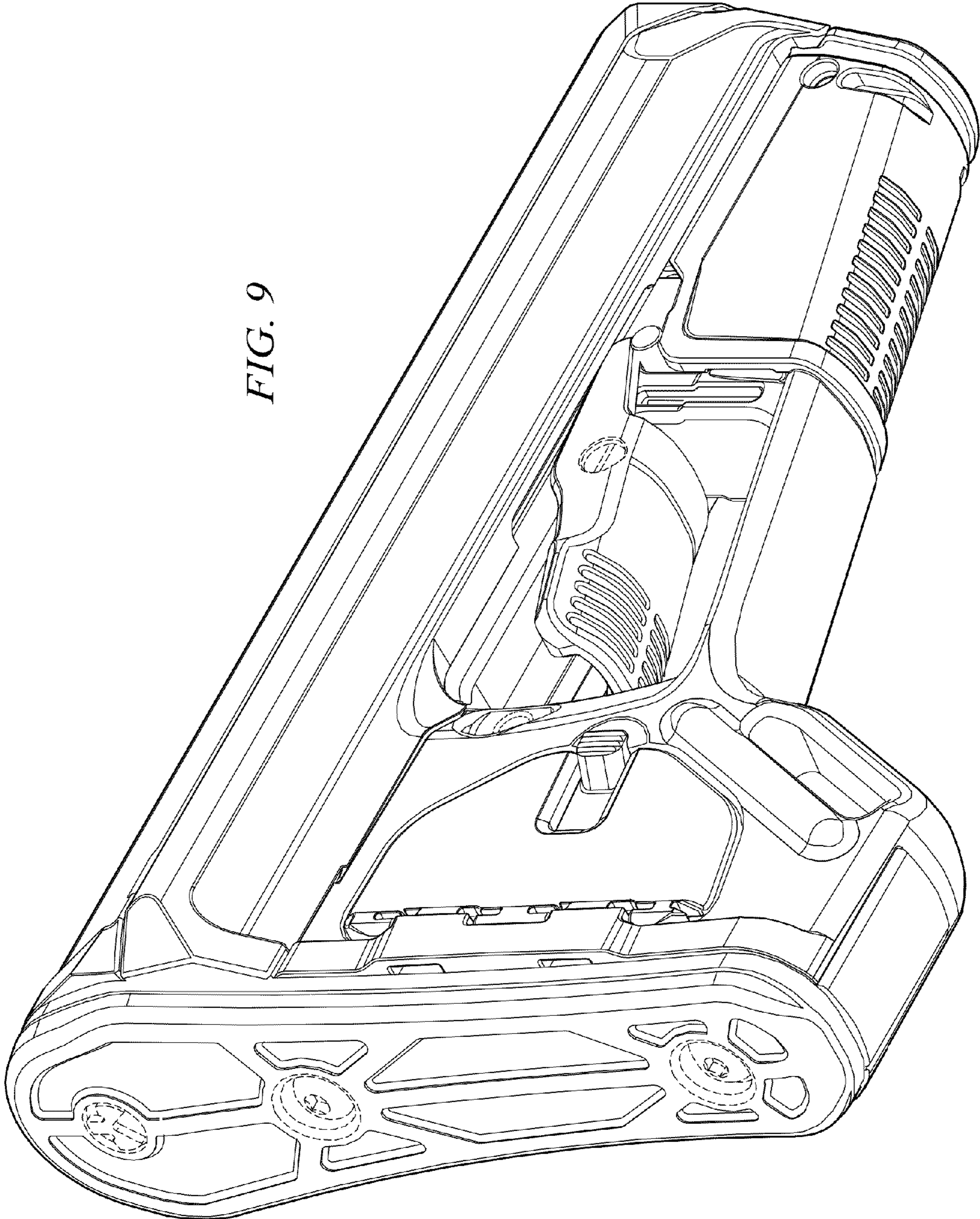


FIG. 9