



US00D692086S

(12) **United States Design Patent**
Nierenberg

(10) **Patent No.:** **US D692,086 S**

(45) **Date of Patent:** **** Oct. 22, 2013**

(54) **RIFLE BRAKE**

(75) Inventor: **Robert Chester Nierenberg**, Honolulu, HI (US)

(73) Assignee: **Grip Holdings, LLC**, Honolulu, HI (US)

(**) Term: **14 Years**

(21) Appl. No.: **29/405,860**

(22) Filed: **Nov. 7, 2011**

(51) **LOC (9) Cl.** **22-01**

(52) **U.S. Cl.**
USPC **D22/108**

(58) **Field of Classification Search**
USPC D22/103, 108; D21/572-573; 42/1.06, 42/76.02-761; 89/14.05, 14.1-14.8, 177; 181/223
See application file for complete search history.

(56) **References Cited**

U.S. PATENT DOCUMENTS

2,124,075	A *	7/1938	Moore	89/14.1
D158,792	S *	5/1950	Powell	D22/108
D158,794	S *	5/1950	Powell	D22/108
5,596,161	A *	1/1997	Sommers	89/14.2
6,722,254	B1 *	4/2004	Davies	89/14.3

6,752,062	B2 *	6/2004	Vais	89/14.3
7,861,636	B1 *	1/2011	Hoffman	89/14.2
2010/0282056	A1 *	11/2010	Hung	89/14.2
2011/0271575	A1 *	11/2011	Overbeek Bloem et al.	42/90
2012/0048100	A1 *	3/2012	Davies	89/14.2

* cited by examiner

Primary Examiner — Michael A Pratt

(74) *Attorney, Agent, or Firm* — Forrest Law Office, P.C.

(57) **CLAIM**

The ornamental design for a rifle brake, as shown.

DESCRIPTION

FIG. 1 is an upper perspective view of a rifle brake according to the present invention.

FIG. 2 is a front view of the rifle brake in FIG. 1.

FIG. 3 is a right side view of the rifle brake in FIG. 1.

FIG. 4 is a left side view of the rifle brake in FIG. 1.

FIG. 5 is a back view of the rifle brake in FIG. 1.

FIG. 6 is a top view of the rifle brake in FIG. 1; and,

FIG. 7 is a bottom view of the rifle brake in FIG. 1.

The broken lines in FIG. 3 are included for the purpose of illustrating a portion of the claimed design that forms no part of the claimed design.

1 Claim, 4 Drawing Sheets

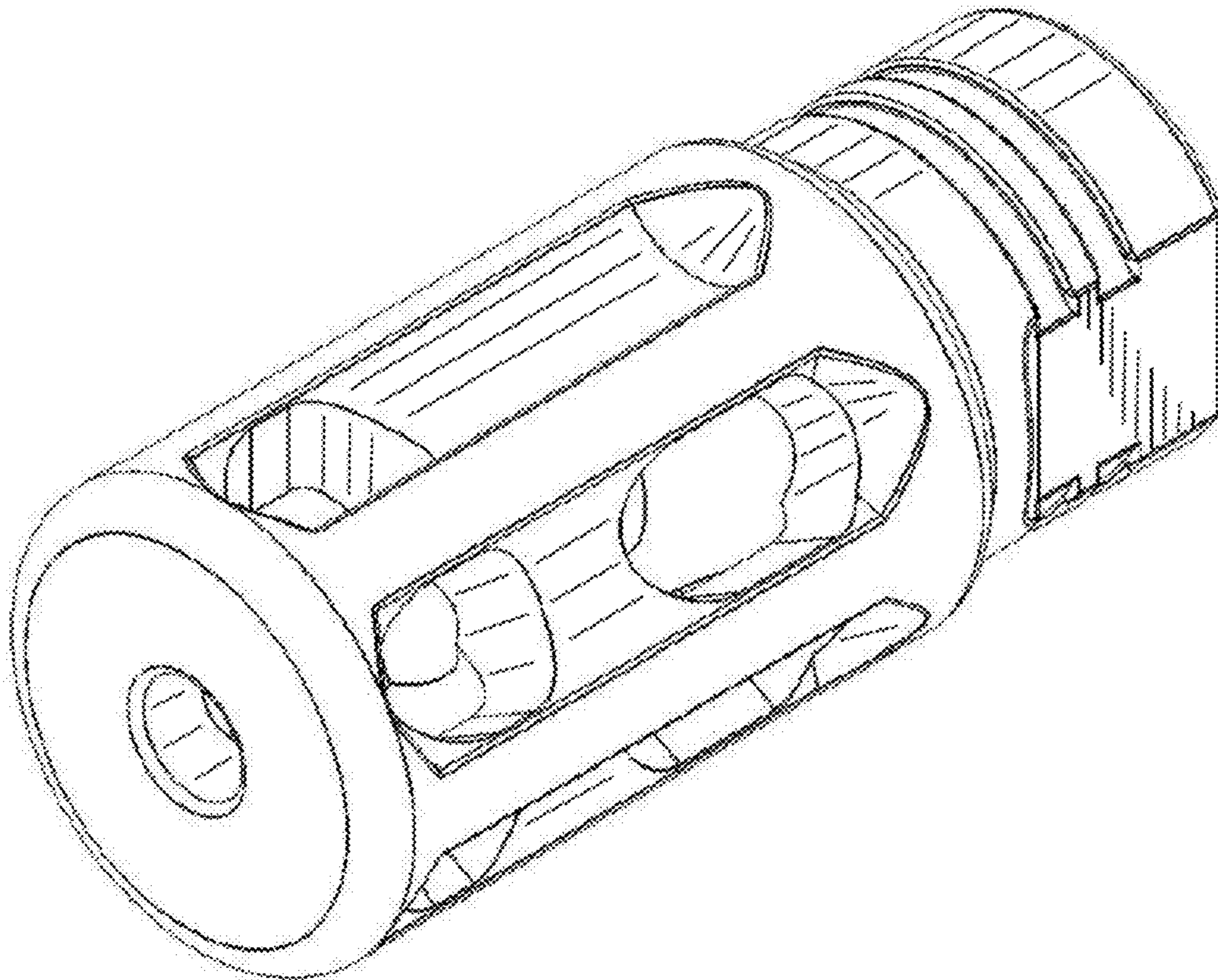


FIG. 1

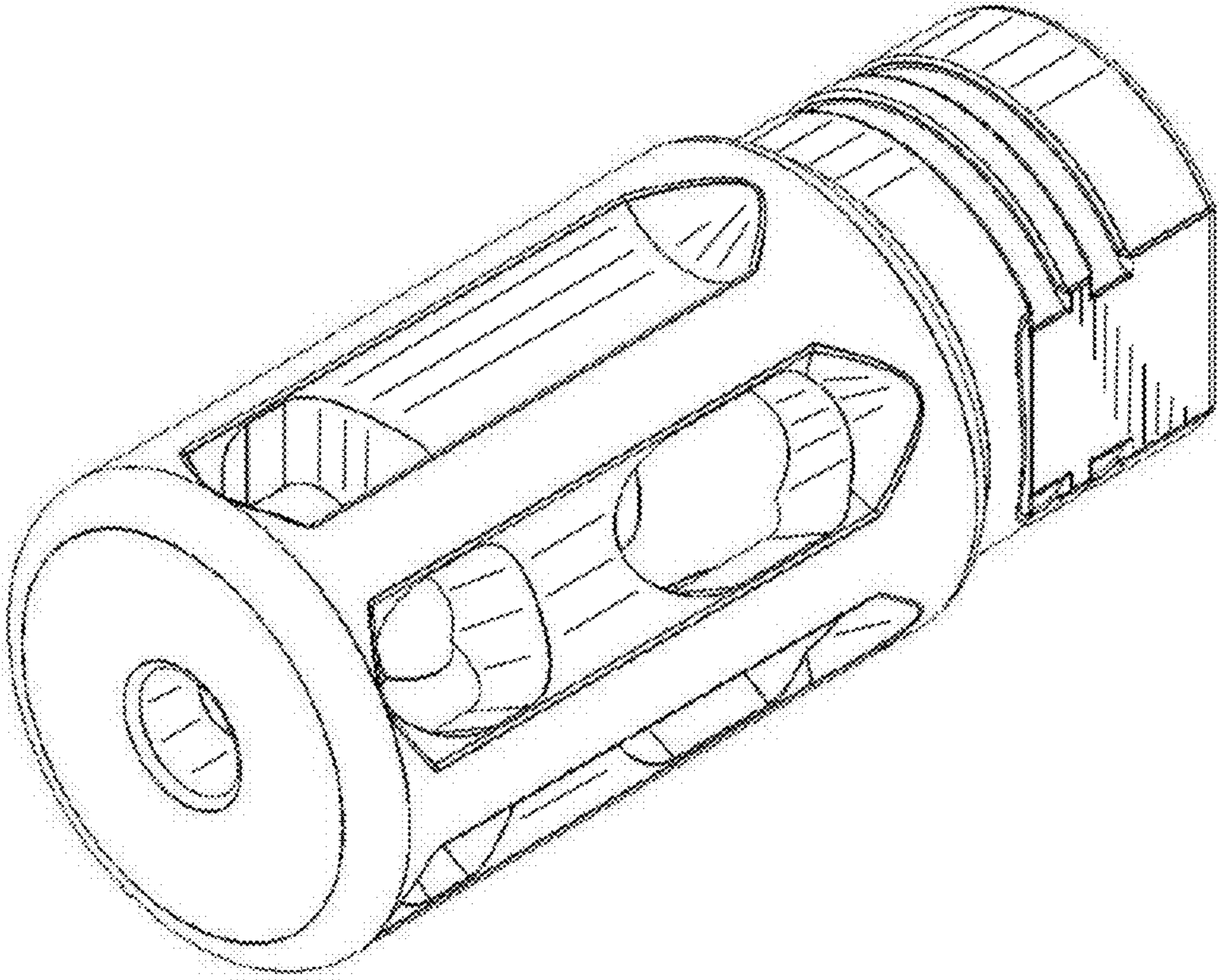


FIG. 2

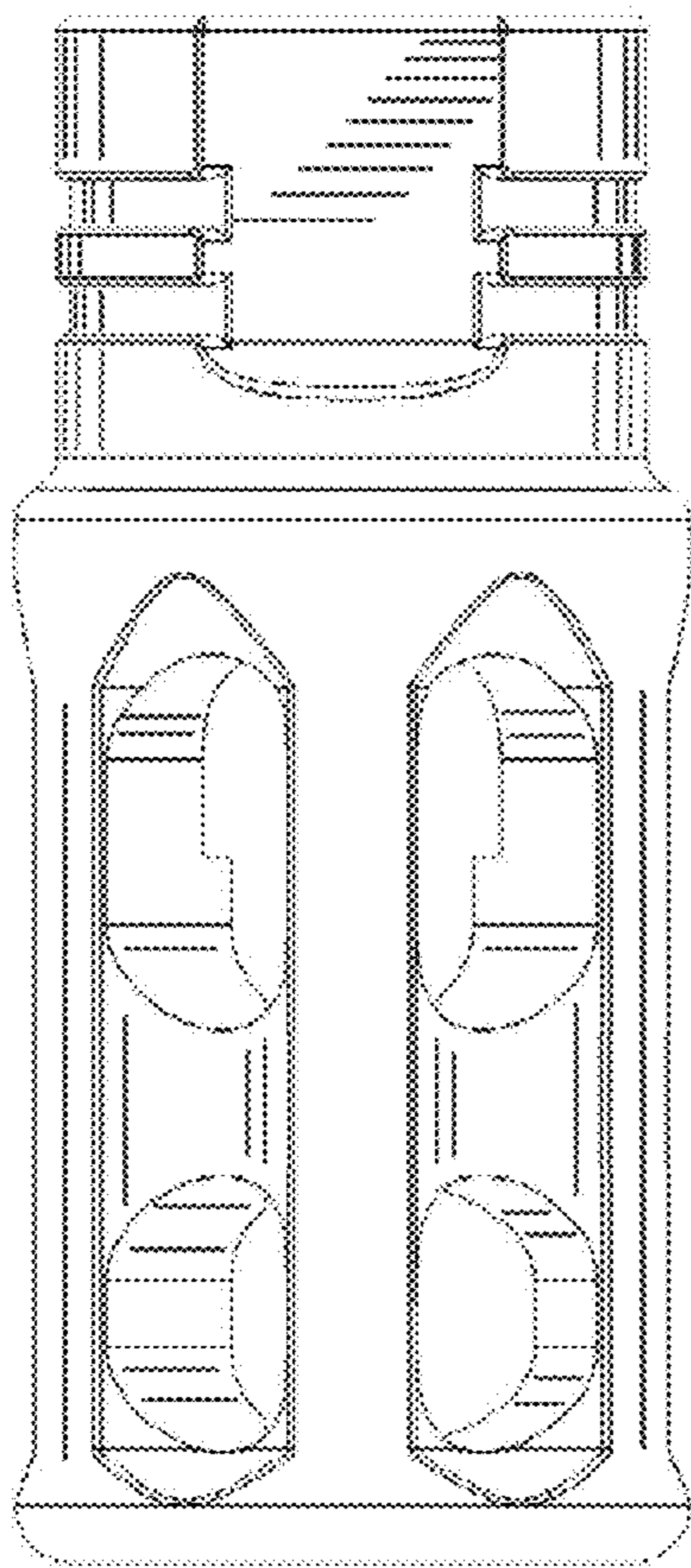


FIG. 3

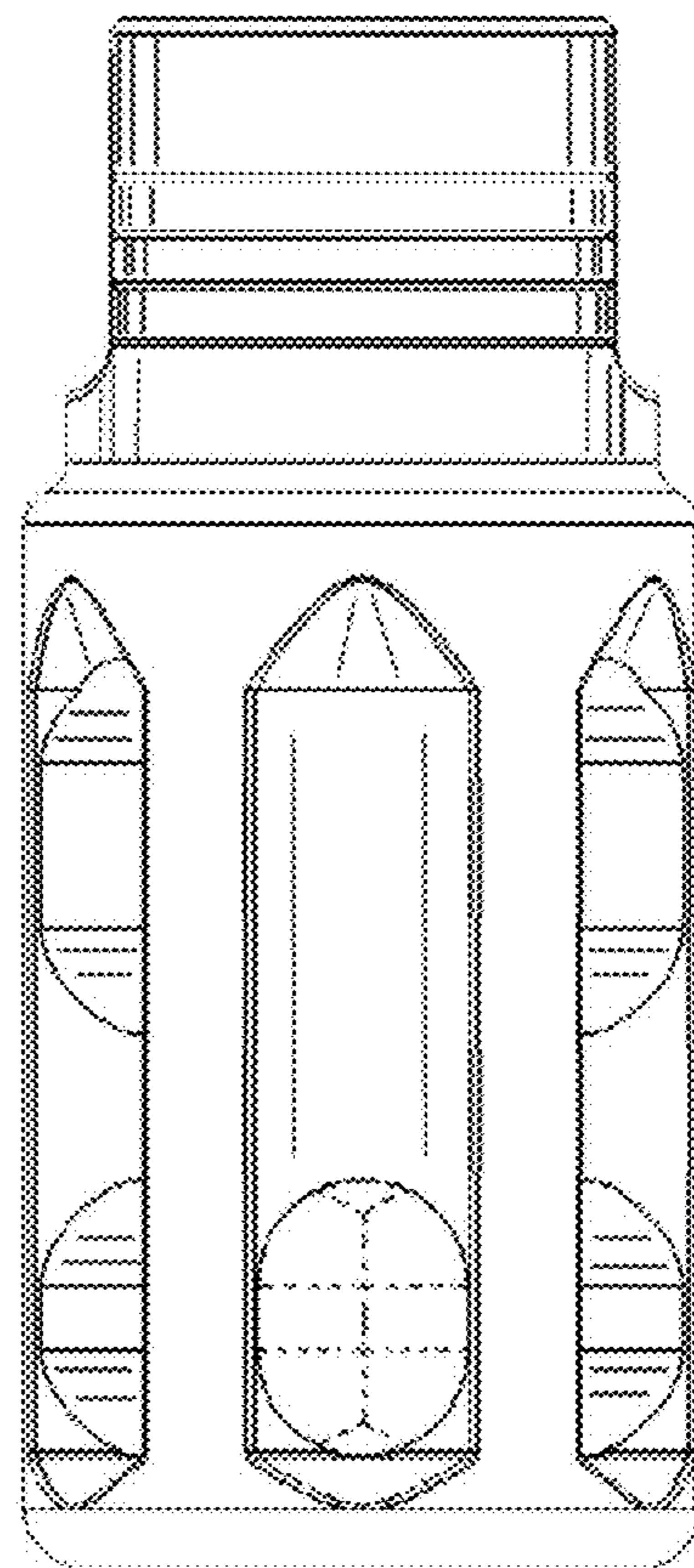


FIG. 4

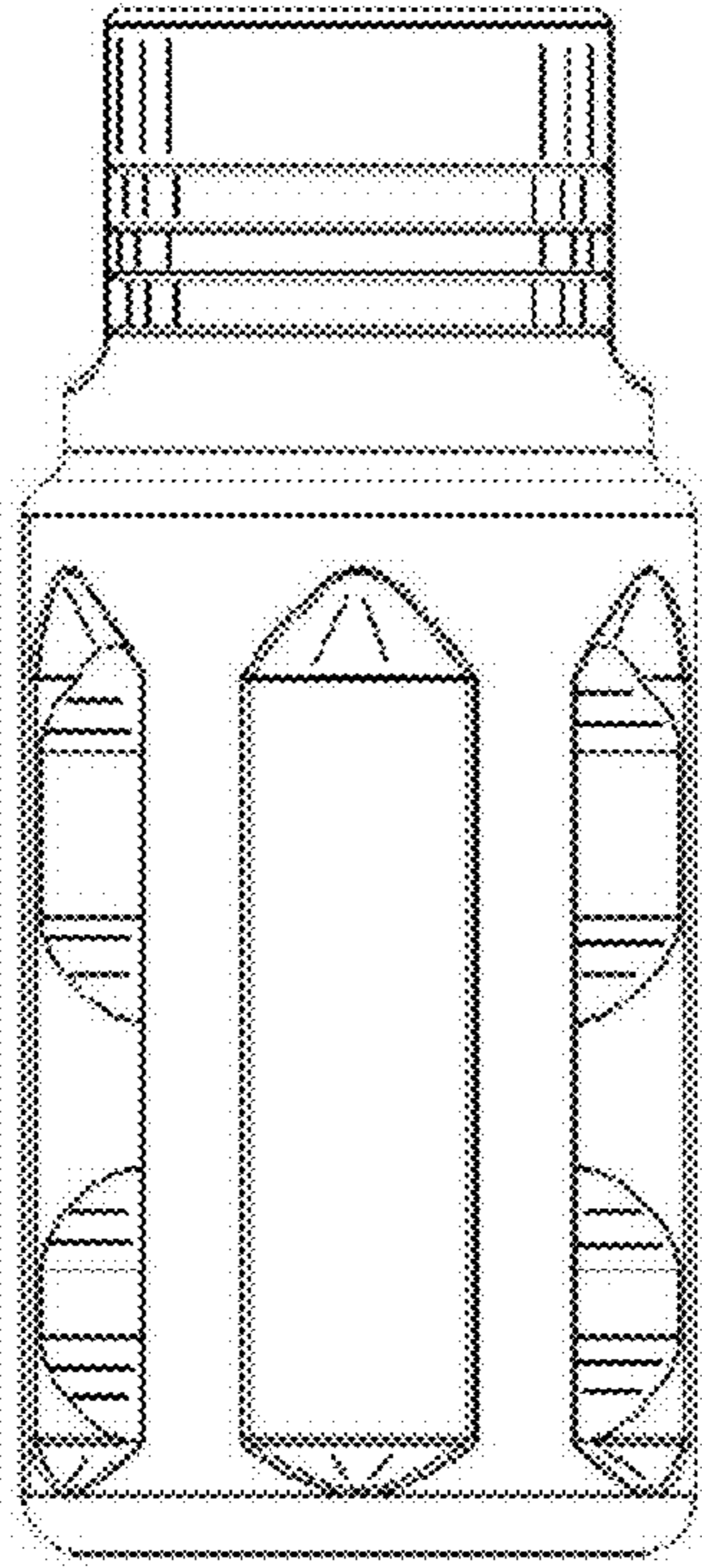


FIG. 5

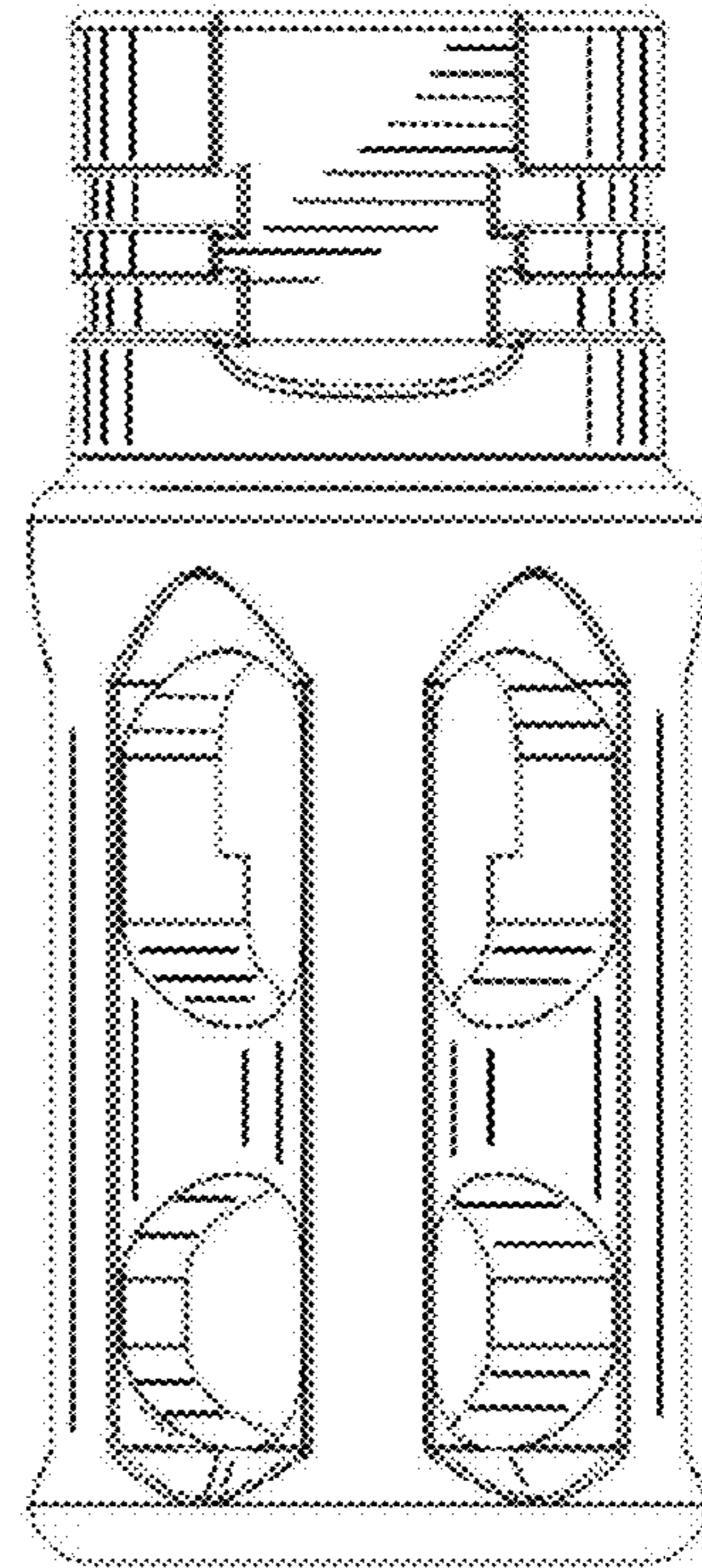


FIG. 6

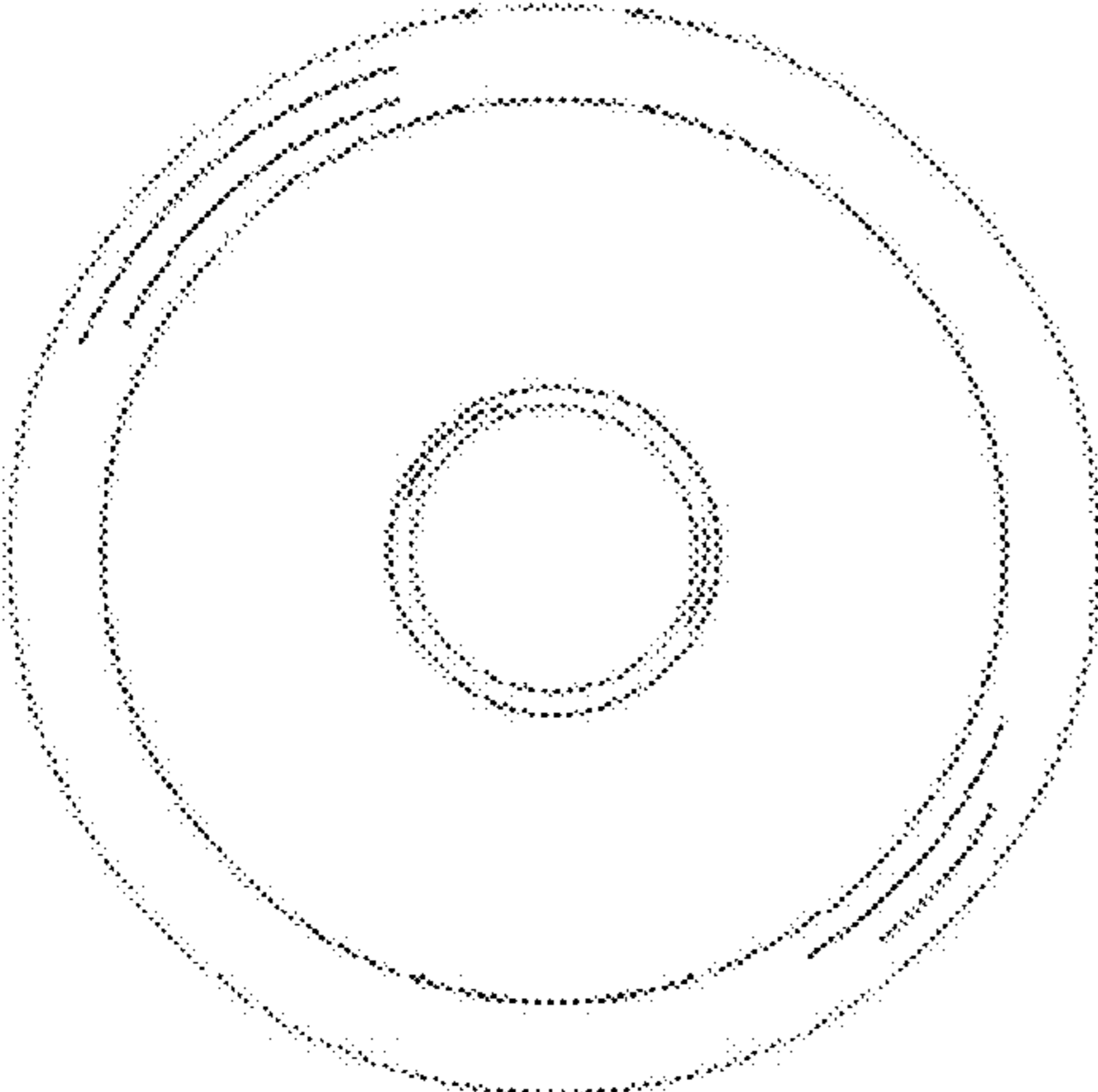


FIG. 7

