



US00D692085S

(12) **United States Design Patent**
Pierce et al.

(10) **Patent No.:** **US D692,085 S**

(45) **Date of Patent:** **** Oct. 22, 2013**

(54) **FRANGIBLE PAYLOAD DELIVERY APPARATUS**

(75) Inventors: **William Fred Pierce**, DeQuincy, LA (US); **Tony James Laitiolais**, St. Martinville, LA (US)

(73) Assignee: **Rac Em Bac, L.L.C.**, DeQuincy, LA (US)

(**) Term: **14 Years**

(21) Appl. No.: **29/422,059**

(22) Filed: **May 16, 2012**

(51) **LOC (9) Cl.** **22-01**

(52) **U.S. Cl.**
USPC **D22/107**

(58) **Field of Classification Search**
USPC D22/107; 473/582, 578; 403/349; 43/6
See application file for complete search history.

(56) **References Cited**

U.S. PATENT DOCUMENTS

3,528,662	A *	9/1970	Engle et al.	473/577
5,836,842	A *	11/1998	McLearn	473/581
6,174,251	B1 *	1/2001	Lemote	473/581
6,450,905	B1 *	9/2002	Edlund	473/581

D610,220	S *	2/2010	Vandewater	D22/107
7,731,612	B2 *	6/2010	Martin	473/581
8,192,310	B2 *	6/2012	Harris et al.	473/582
8,439,777	B2 *	5/2013	Pierce et al.	473/578
8,444,512	B2 *	5/2013	Pierce et al.	473/578
2006/0287144	A1 *	12/2006	Martin	473/578
2007/0026980	A1 *	2/2007	Grace et al.	473/582
2010/0197430	A1 *	8/2010	Martin	473/577
2013/0065716	A1 *	3/2013	Pierce et al.	473/581

* cited by examiner

Primary Examiner — Michael A Pratt

(74) *Attorney, Agent, or Firm* — Schultz & Associates, P.C.

(57) **CLAIM**

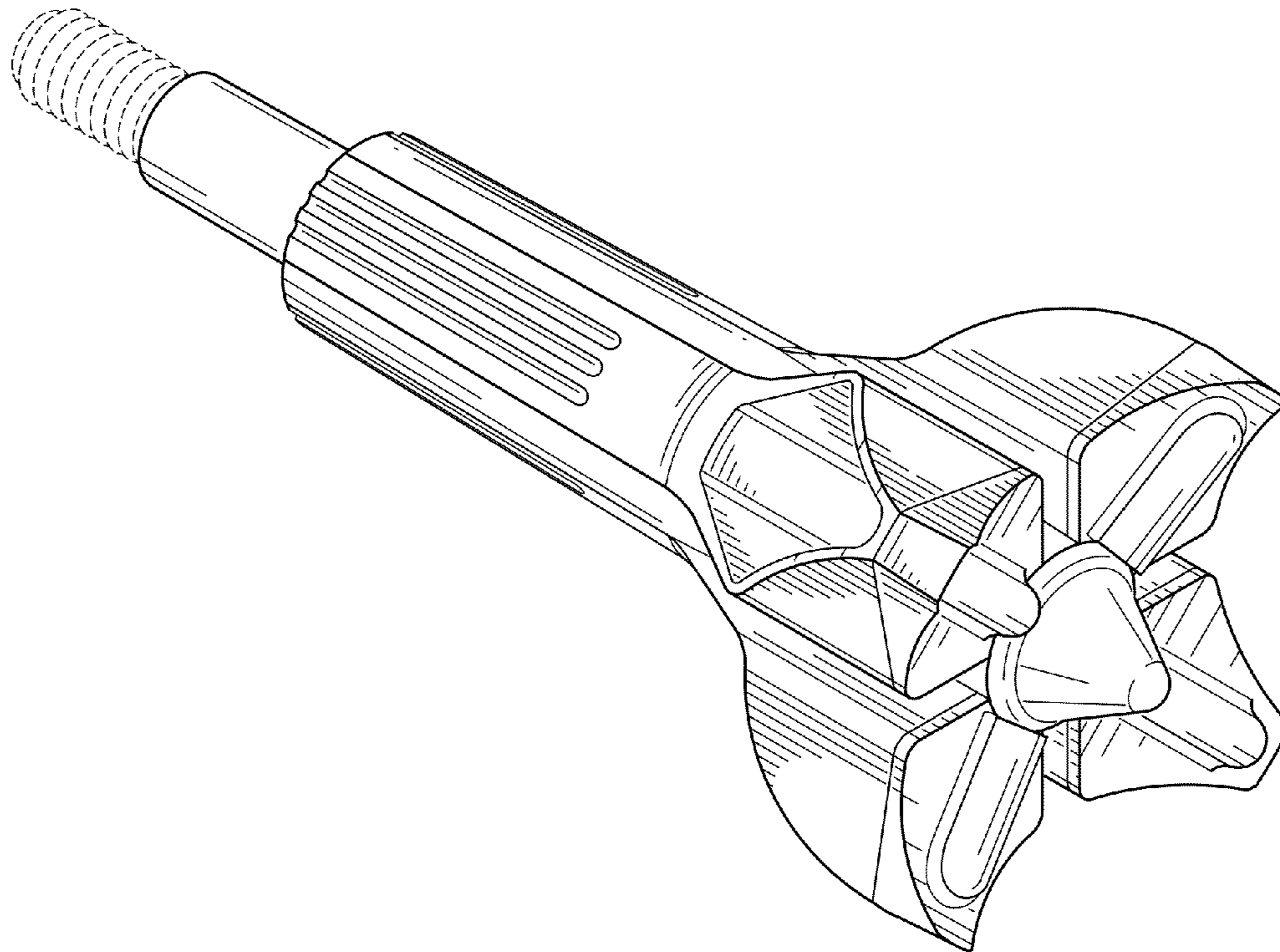
The ornamental design for a frangible payload delivery apparatus, as shown and described.

DESCRIPTION

FIG. 1 is a perspective view of a frangible payload delivery apparatus showing my new design; FIG. 2 is a top plan view thereof; FIG. 3 is a bottom plan view thereof; FIG. 4 is a side elevation view thereof; and, FIG. 5 is a side elevation view thereof.

The broken lines shown represent unclaimed subject matter and form no part of the claimed design.

1 Claim, 2 Drawing Sheets



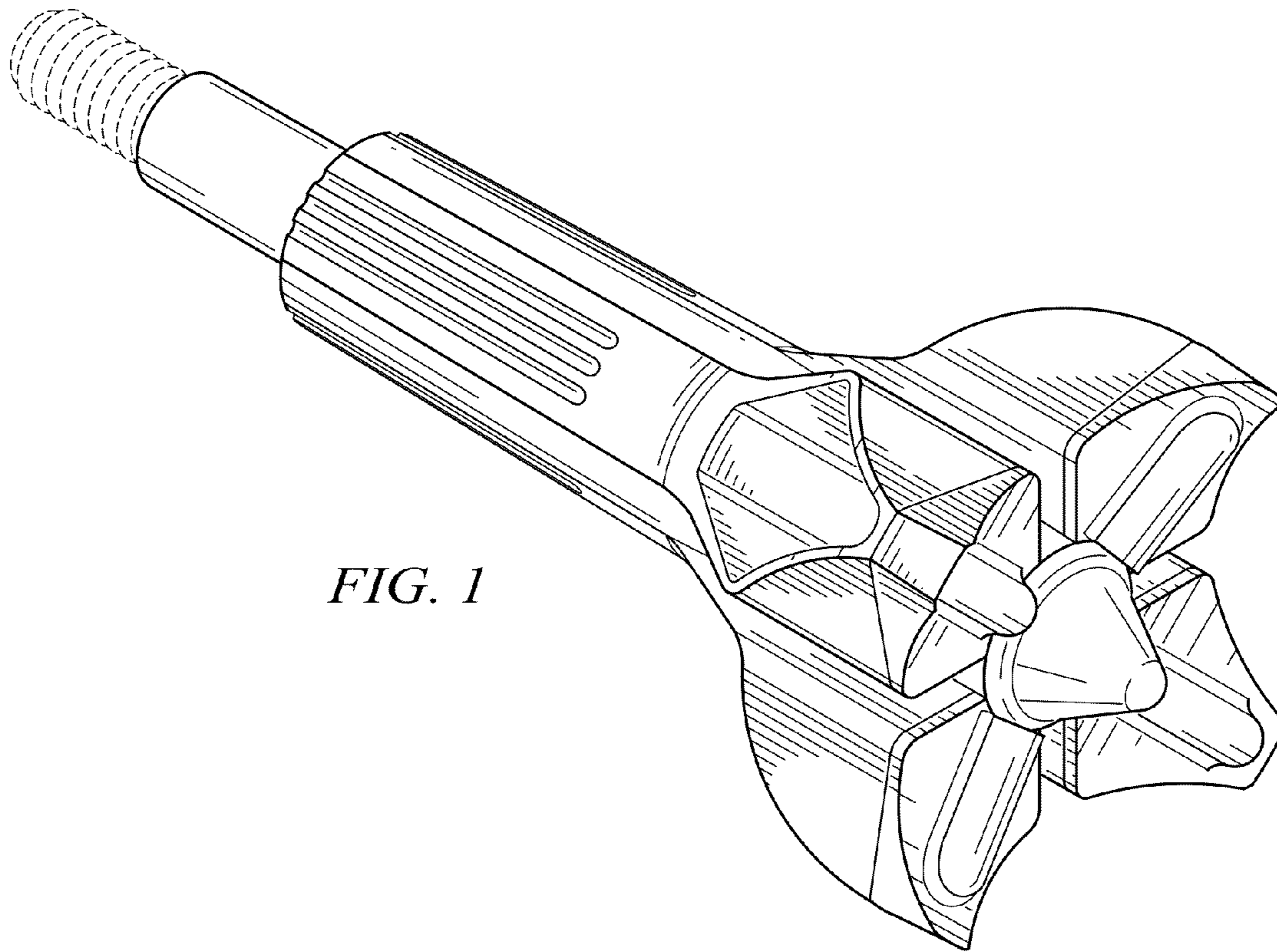


FIG. 1

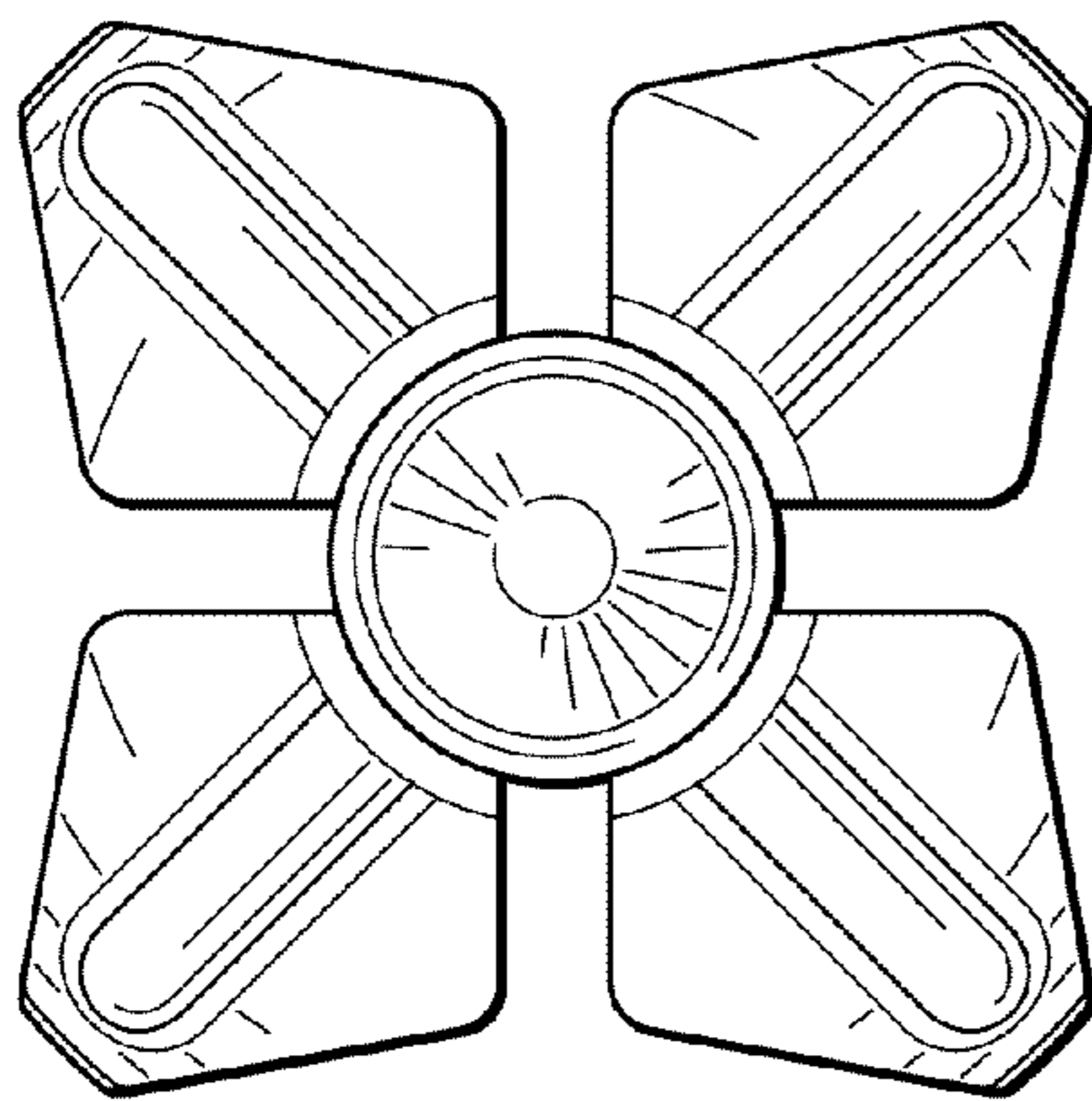


FIG. 2

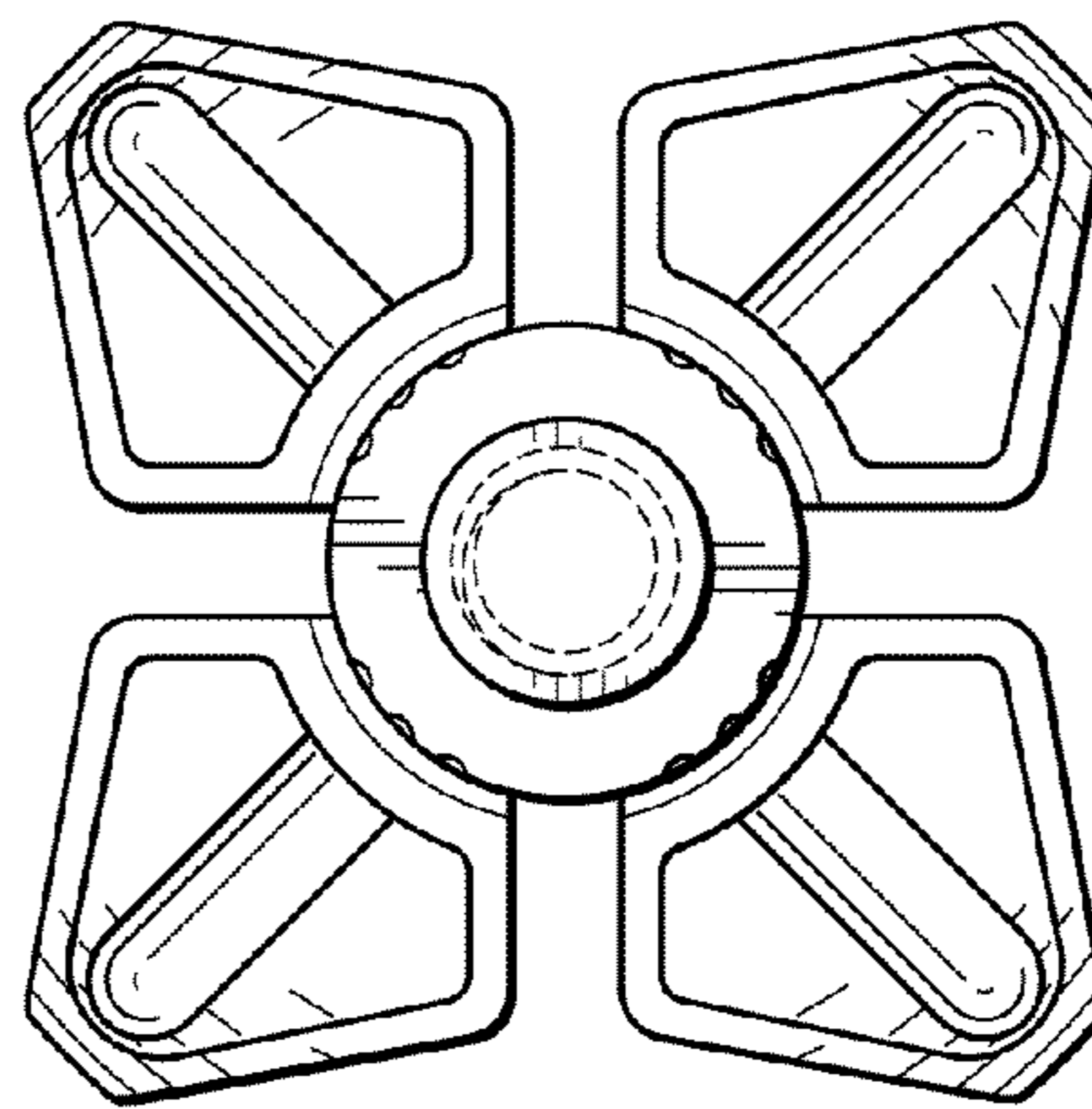


FIG. 3

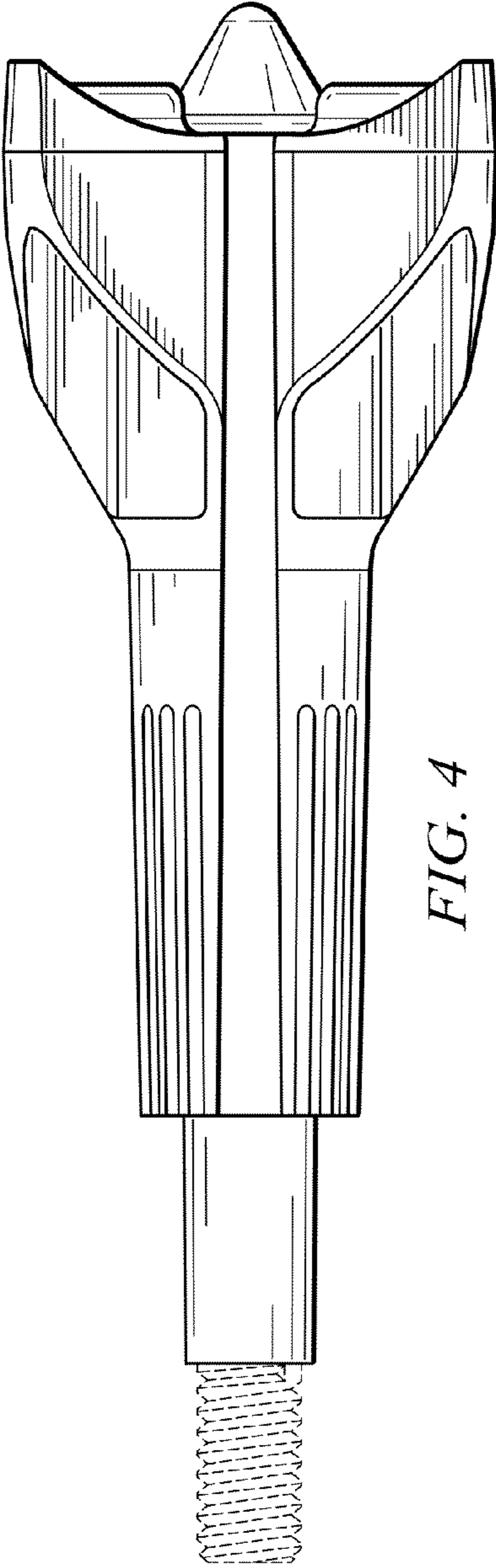


FIG. 4

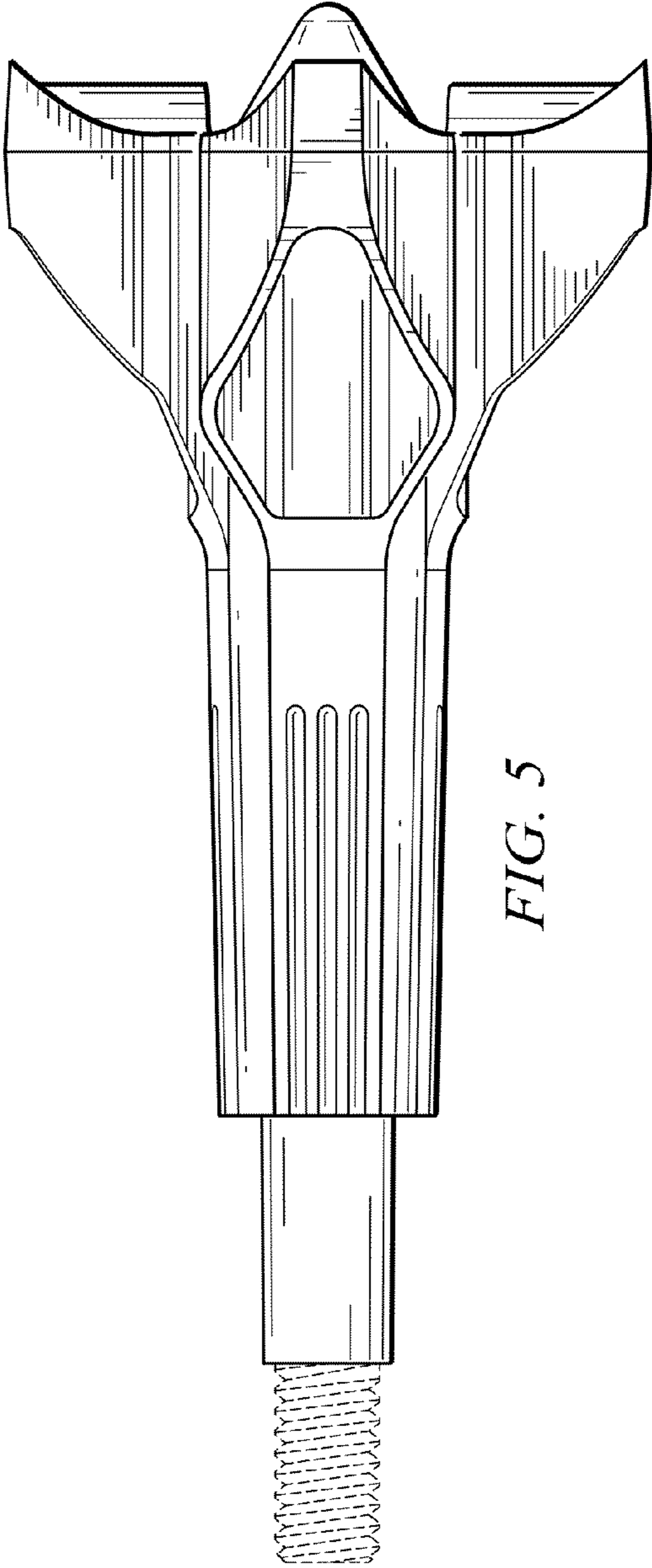


FIG. 5