



US00D692080S

(12) **United States Design Patent**
Hamborg et al.

(10) **Patent No.:** **US D692,080 S**
(45) **Date of Patent:** **** Oct. 22, 2013**

(54) **SKATEBOARD**

- (71) Applicant: **Hamboards Holdings, LLC**, Ocean View, DE (US)
- (72) Inventors: **Peter Mark Hamborg**, Huntington Beach, CA (US); **Peter Gustaf Hamborg**, Huntington Beach, CA (US)
- (73) Assignee: **Hamboards Holdings, LLC**, Ocean View, DE (US)
- (**) Term: **14 Years**
- (21) Appl. No.: **29/440,872**
- (22) Filed: **Dec. 28, 2012**
- (51) **LOC (9) Cl.** **21-02**
- (52) **U.S. Cl.**
USPC **D21/765**
- (58) **Field of Classification Search**
USPC D21/419, 421, 423, 426, 760, 765, 766, D21/769, 771, 776, 803; 280/7.14, 11.115, 280/11.19, 11.27, 11.28, 14.21, 87.01, 280/87.021, 87.03, 87.041, 87.042, 607, 280/608, 609, 809; 180/180, 181; 434/247, 434/253, 258

See application file for complete search history.

(56) **References Cited**

U.S. PATENT DOCUMENTS

4,152,001 A *	5/1979	Christianson	280/11.28
D413,954 S *	9/1999	Gerlach	D21/765
D556,283 S	11/2007	Hamborg et al.		
D564,613 S	3/2008	Hamborg		

* cited by examiner

Primary Examiner — Cynthia M Chin

(74) *Attorney, Agent, or Firm* — McCarter & English

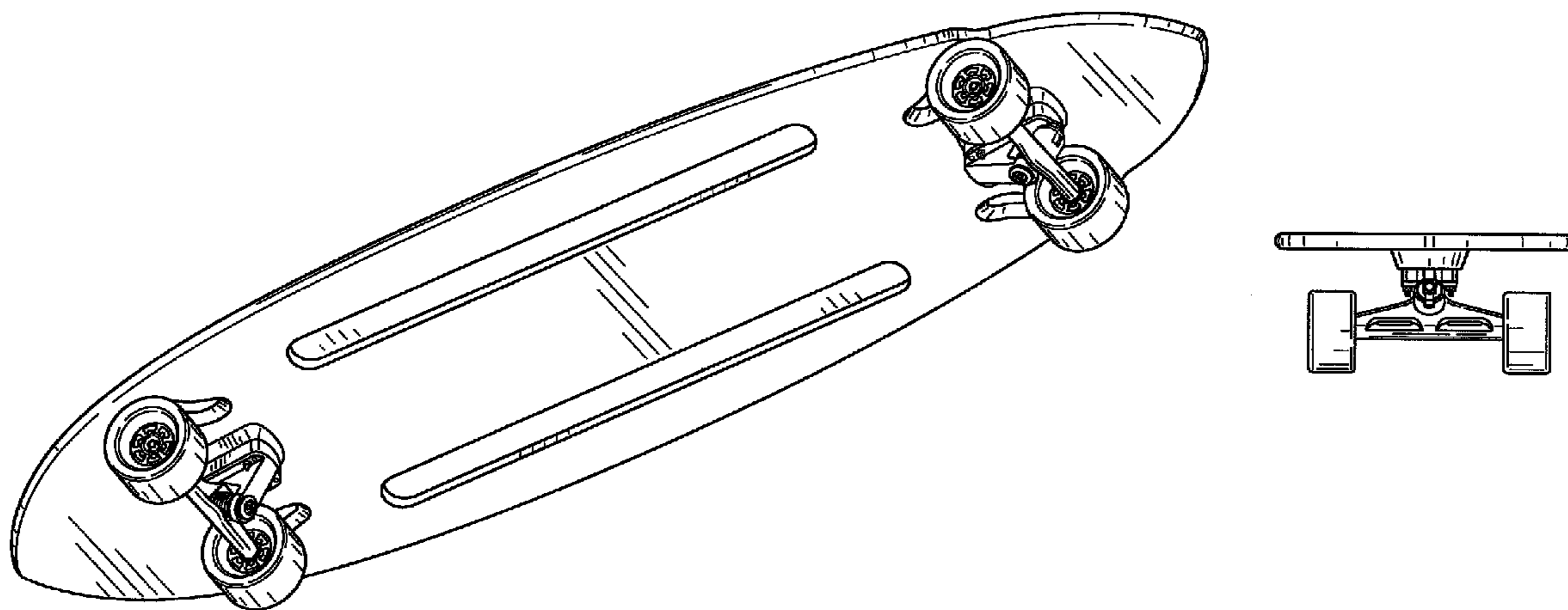
(57) **CLAIM**

The ornamental design for a skateboard, as shown and described.

DESCRIPTION

FIG. 1 is a perspective view of the present invention showing a bottom thereof;
 FIG. 2 is a front view thereof;
 FIG. 3 is a rear view thereof;
 FIG. 4 is a side view thereof, the opposite side being identical;
 FIG. 5 is a top view thereof; and,
 FIG. 6 is a bottom view thereof.

1 Claim, 3 Drawing Sheets



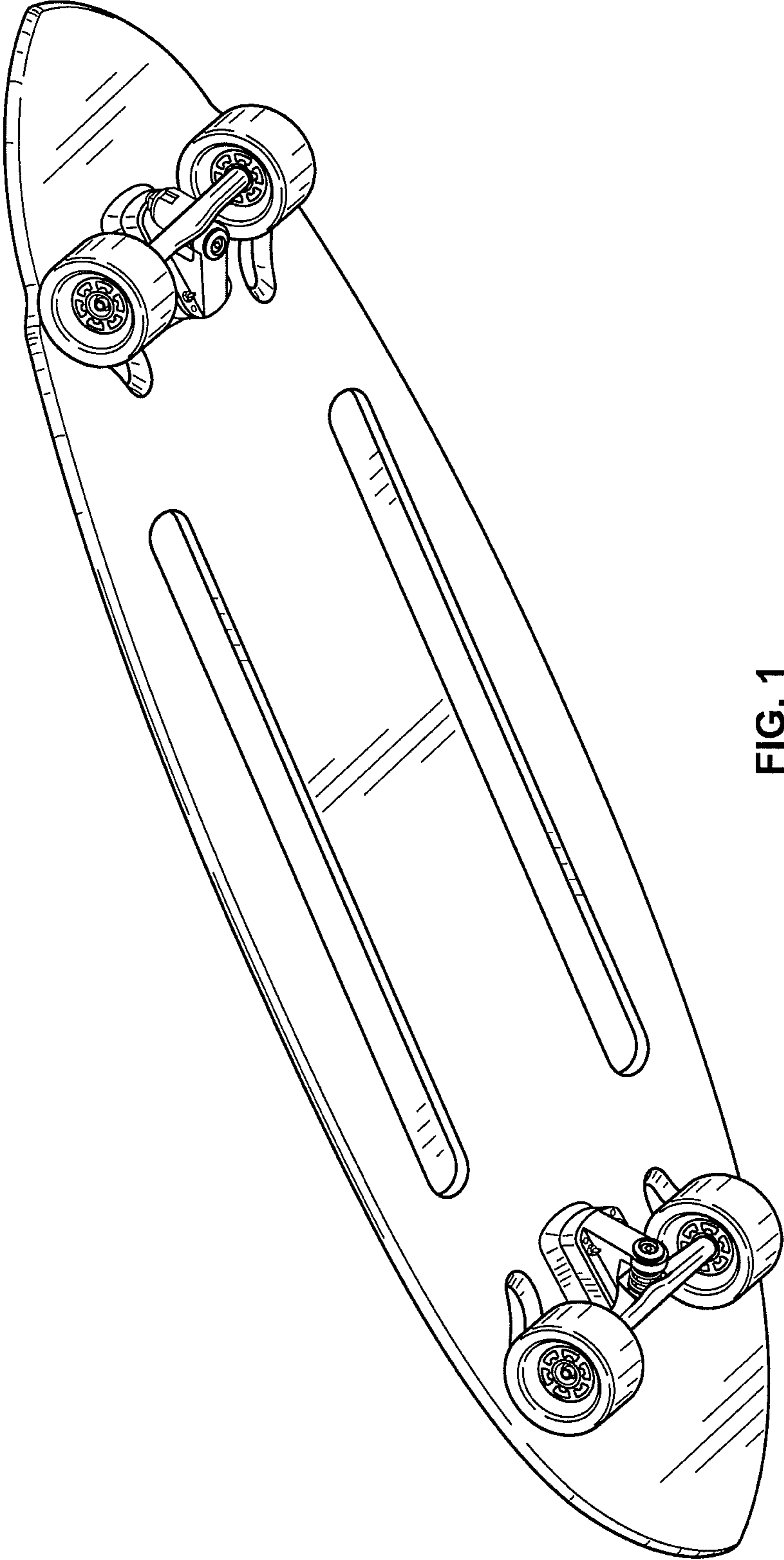


FIG. 1

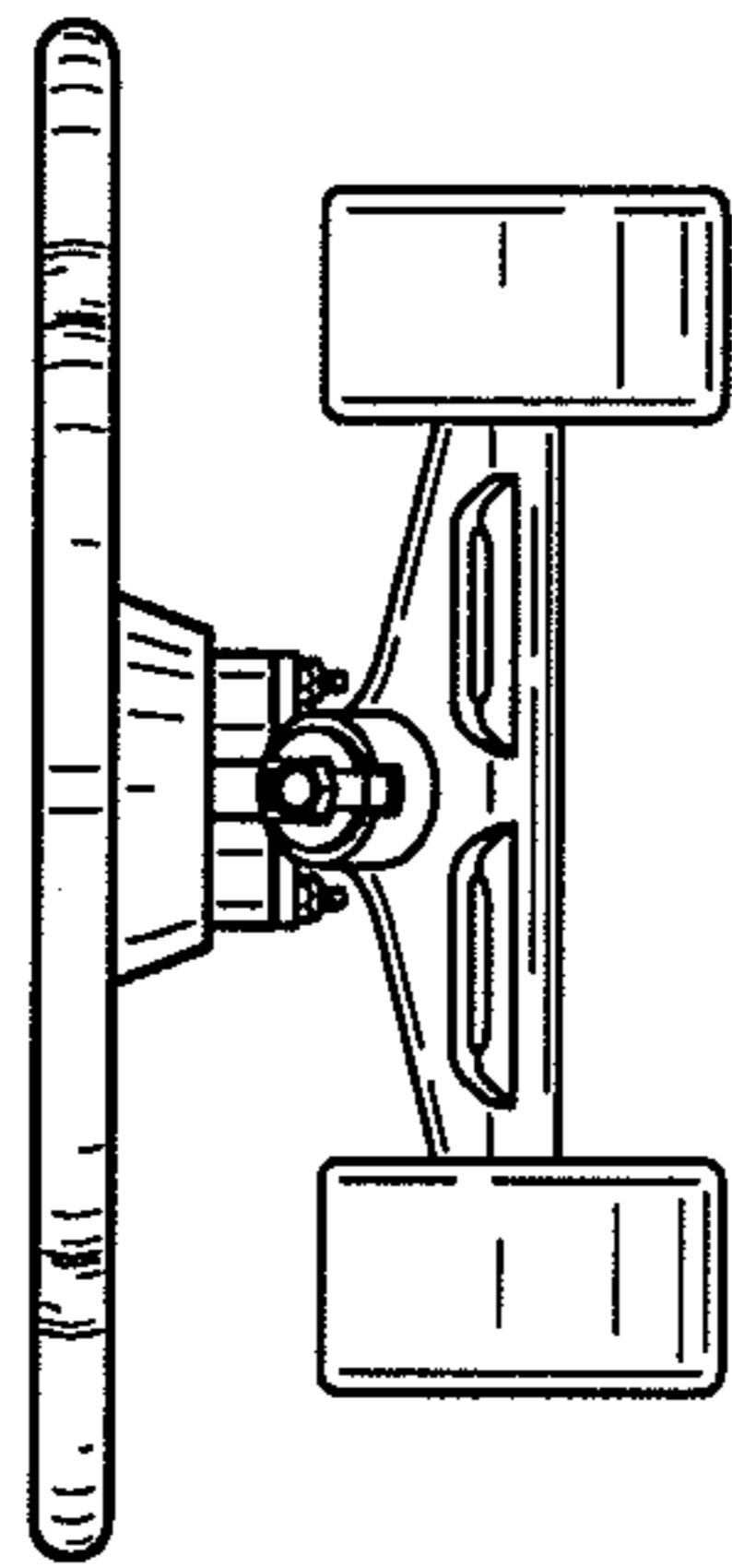


FIG. 2

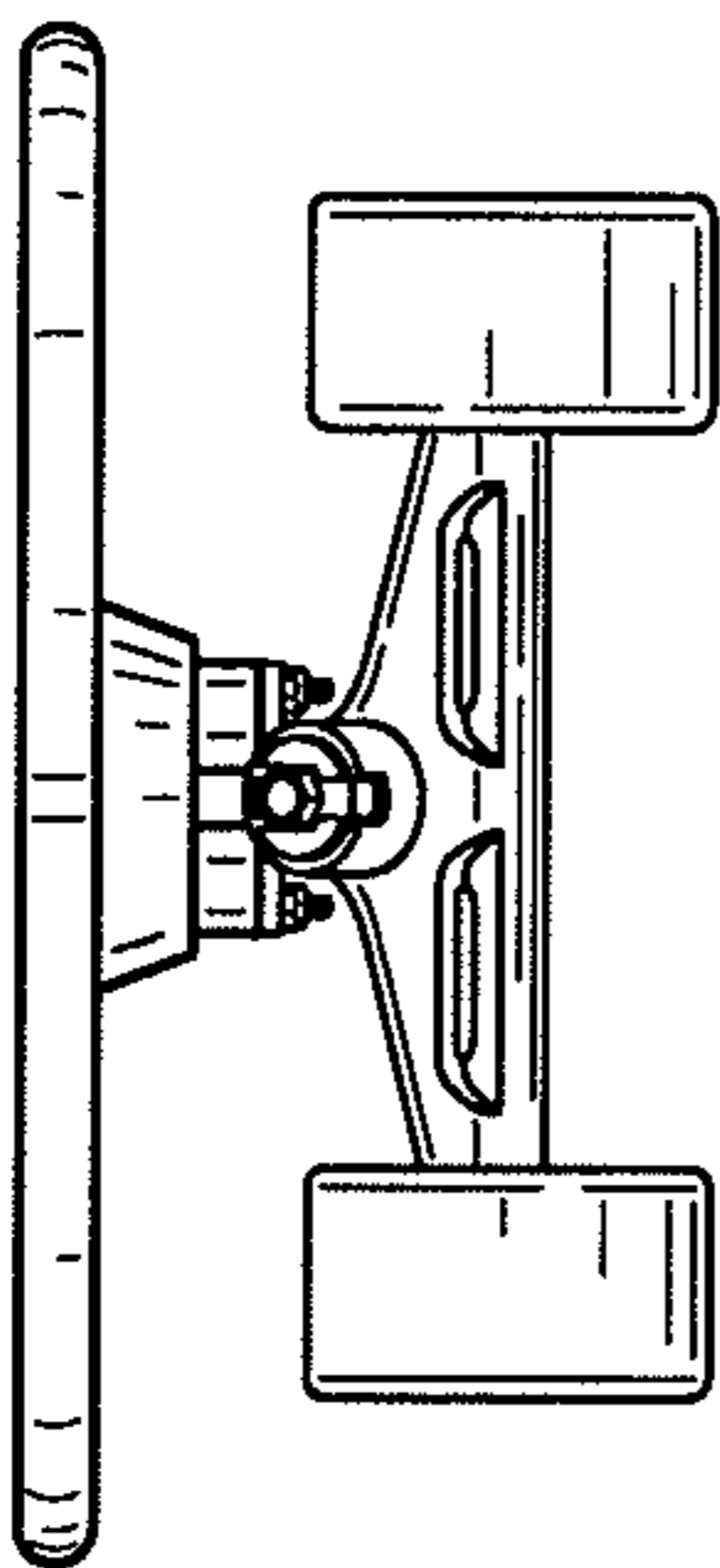


FIG. 3

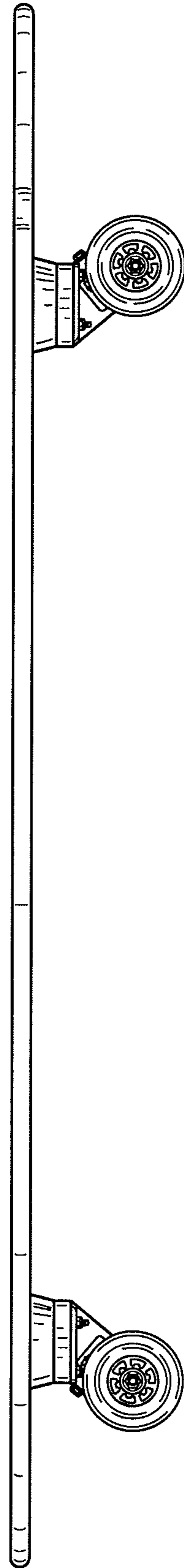


FIG. 4

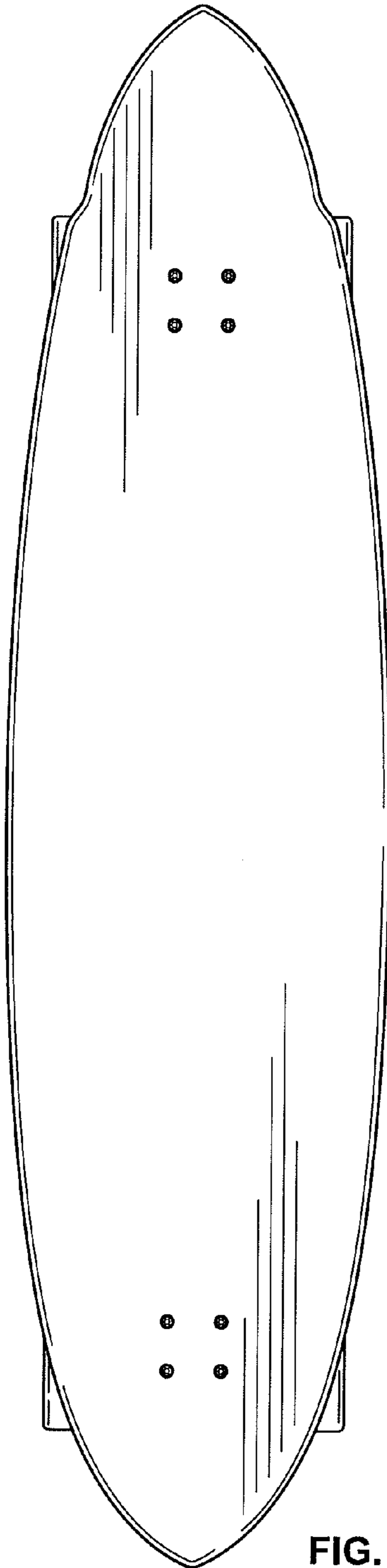


FIG. 5

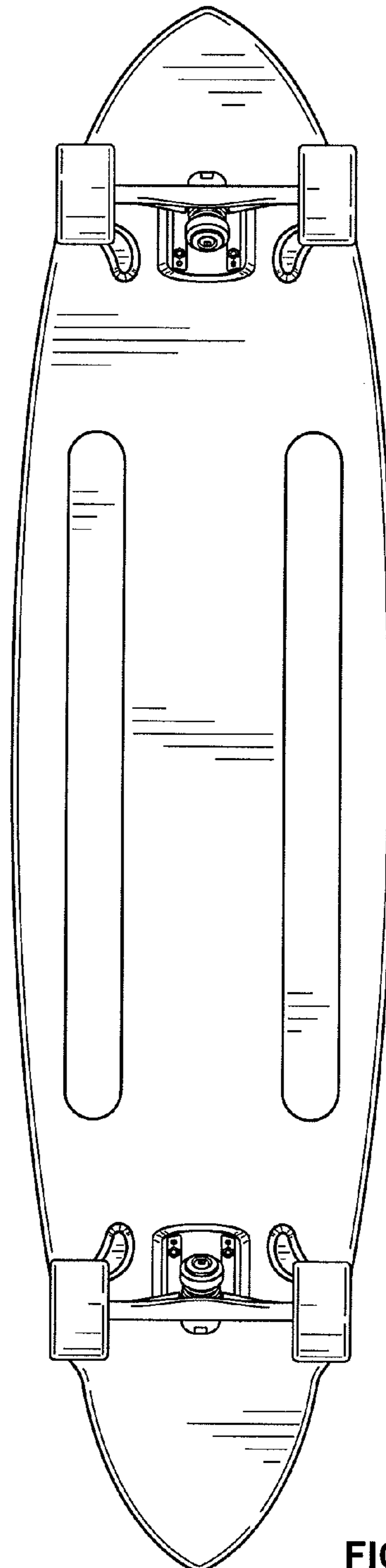


FIG. 6