



US00D692079S

(12) **United States Design Patent**
Mackay

(10) **Patent No.:** **US D692,079 S**

(45) **Date of Patent:** **** Oct. 22, 2013**

(54) **SKATEBOARD**

(75) Inventor: **Ben Mackay**, Daisy Hill (AU)

(73) Assignee: **Absolute International Pty Ltd**, Loganholme (AU)

(**) Term: **14 Years**

(21) Appl. No.: **29/411,865**

(22) Filed: **Jan. 26, 2012**

(30) **Foreign Application Priority Data**

Nov. 15, 2011 (AU) 15205/2011

(51) **LOC (9) Cl.** **21-02**

(52) **U.S. Cl.**
USPC **D21/765**

(58) **Field of Classification Search**

USPC D21/419, 421, 423, 426, 760, 765, 766,
D21/769, 771, 776, 803; D12/1; 280/7.14,
280/11.115, 11.19, 11.27, 11.28, 14.21,
280/87.01, 87.021, 87.03, 87.041, 87.042,
280/607, 608, 609, 809; 180/180, 181;
434/247, 253, 258

See application file for complete search history.

(56) **References Cited**

U.S. PATENT DOCUMENTS

2,474,946 A * 7/1949 Kinslow 280/87.042
3,771,811 A * 11/1973 Bueno 280/87.042
D261,544 S * 10/1981 Cramer D21/765
4,337,963 A * 7/1982 Stevenson 280/87.042
D330,394 S * 10/1992 Cohen D12/110

5,622,759 A * 4/1997 Fuster 428/40.2
D608,851 S * 1/2010 Hillman D21/765
7,748,725 B2 * 7/2010 Piumarta 280/87.042
8,128,108 B2 * 3/2012 Madrid 280/87.042

* cited by examiner

Primary Examiner — Cynthia M Chin

(74) *Attorney, Agent, or Firm* — QuickPatents; Kevin Prince

(57) **CLAIM**

I claim the ornamental design for a skateboard, as shown and described.

DESCRIPTION

FIG. 1 is a top perspective view of a skateboard, showing a first embodiment of my new design;

FIG. 2 is a bottom perspective view thereof;

FIG. 3 is a front elevational view of FIG. 1;

FIG. 4 is a rear elevational view thereof;

FIG. 5 is a left-side elevational view thereof, the right-side elevational view being a mirror image thereof;

FIG. 6 is a top plan view of FIG. 1;

FIG. 7 is a bottom plan view thereof;

FIG. 8 is a cross-sectional view thereof, taken generally along lines 8-8 of FIG. 6;

FIG. 9 is a top perspective view of a second embodiment thereof;

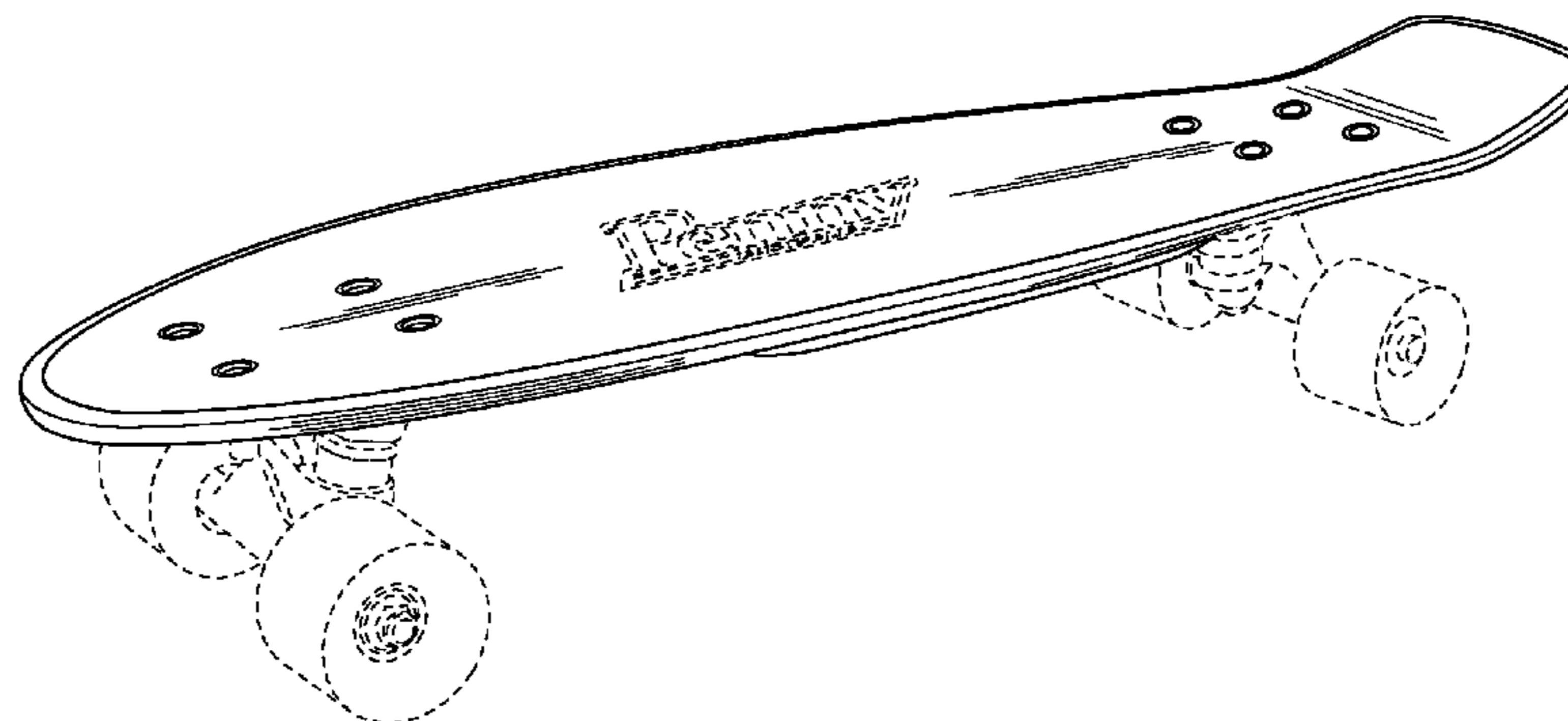
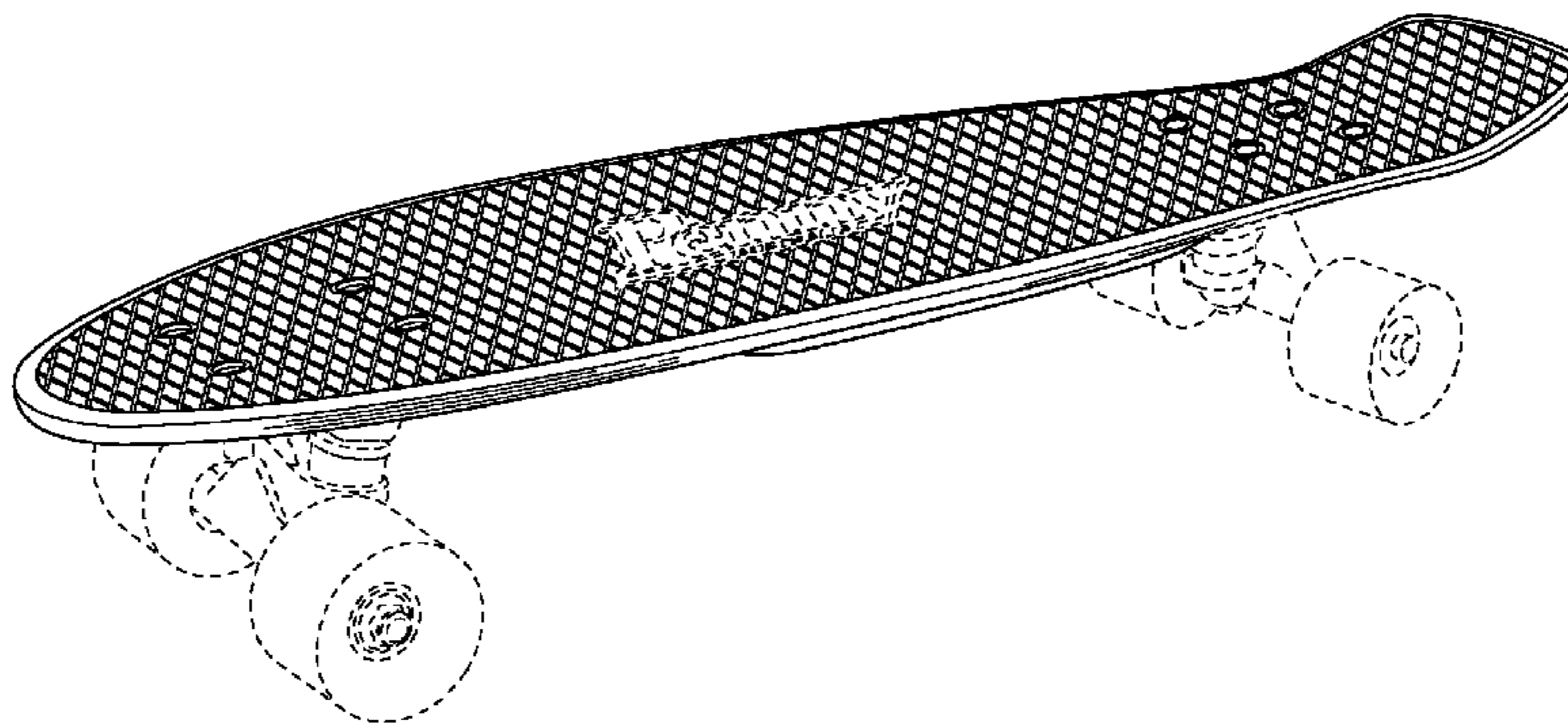
FIG. 10 is a front elevational view of FIG. 9;

FIG. 11 is a top plan view of FIG. 9; and,

FIG. 12 is a cross-sectional view thereof, taken generally along lines 12-12 of FIG. 11.

The broken lines showing a logo, wheels and trucks in the figures depict environmental matter and form no part of the claimed design. It is understood that the bottom plan view, rear elevational view, and left and right side elevational views of both embodiments are identical.

1 Claim, 6 Drawing Sheets



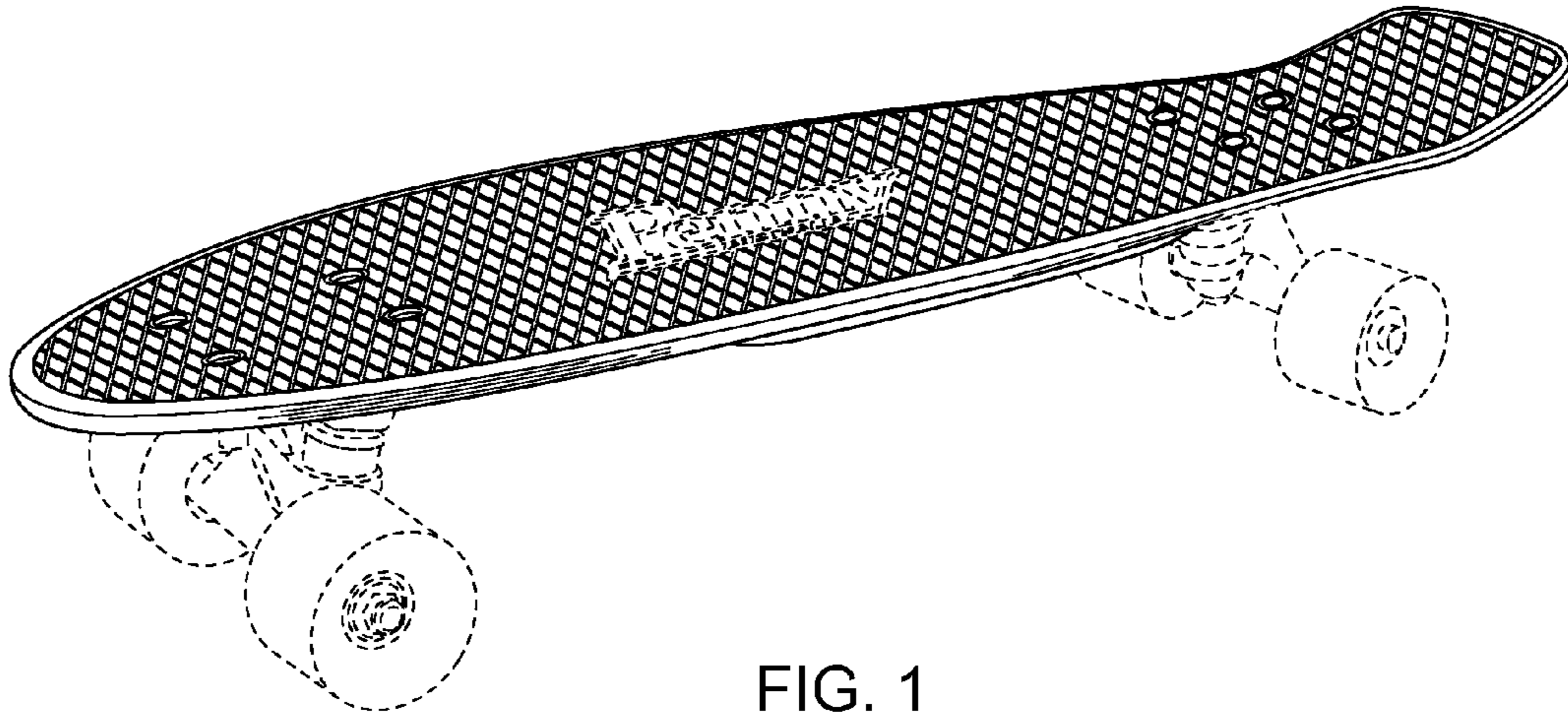


FIG. 1

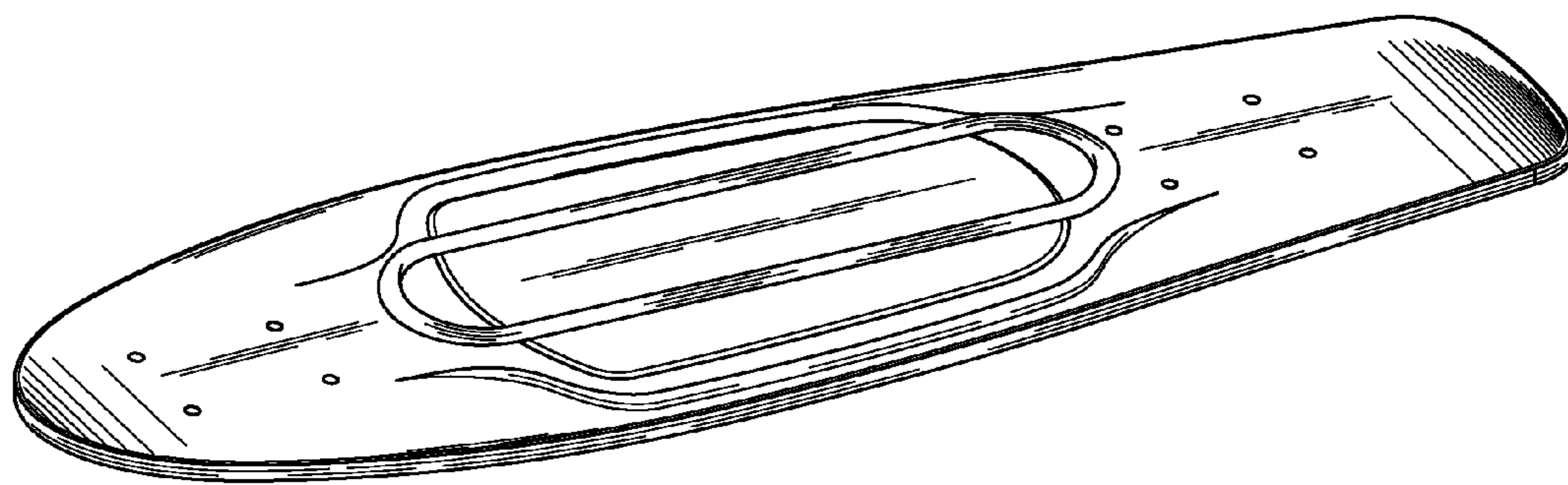


FIG. 2

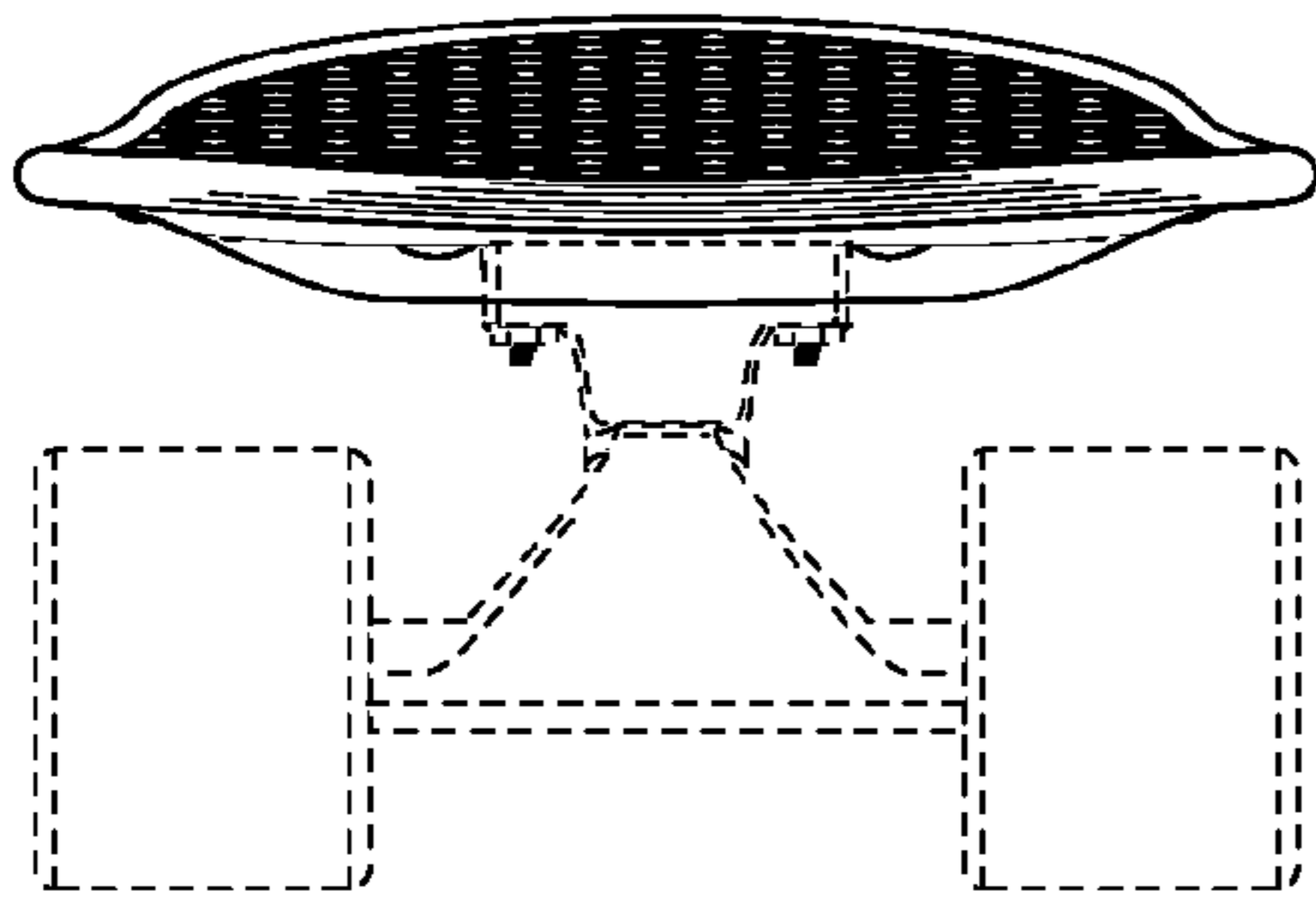


FIG. 3

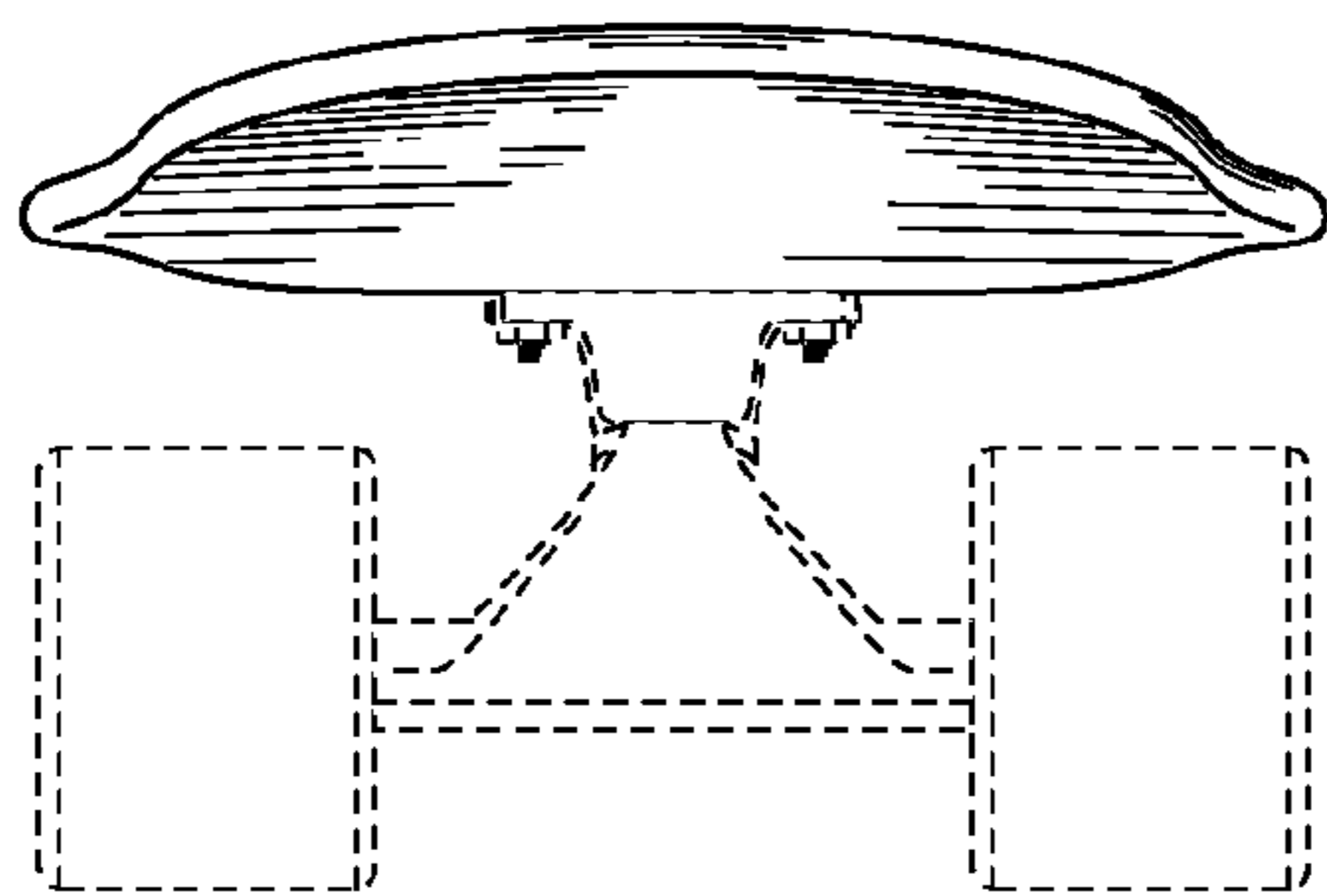


FIG. 4

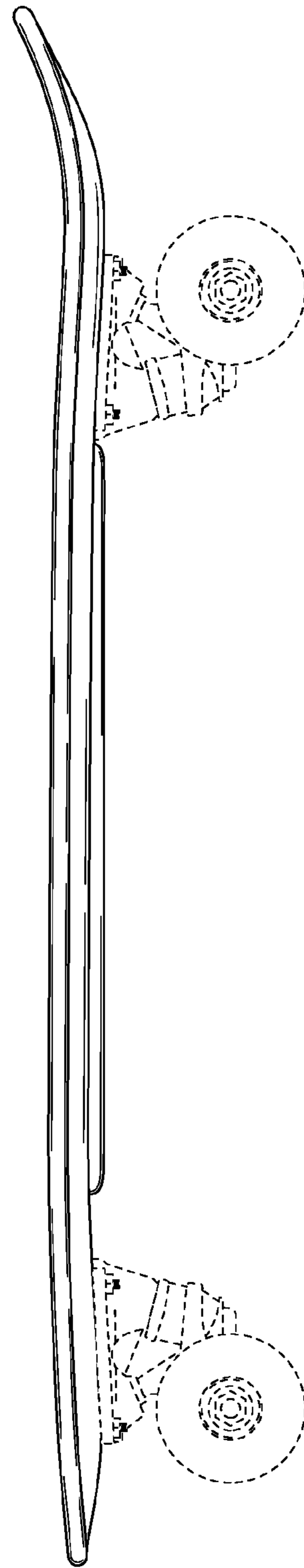


FIG. 5

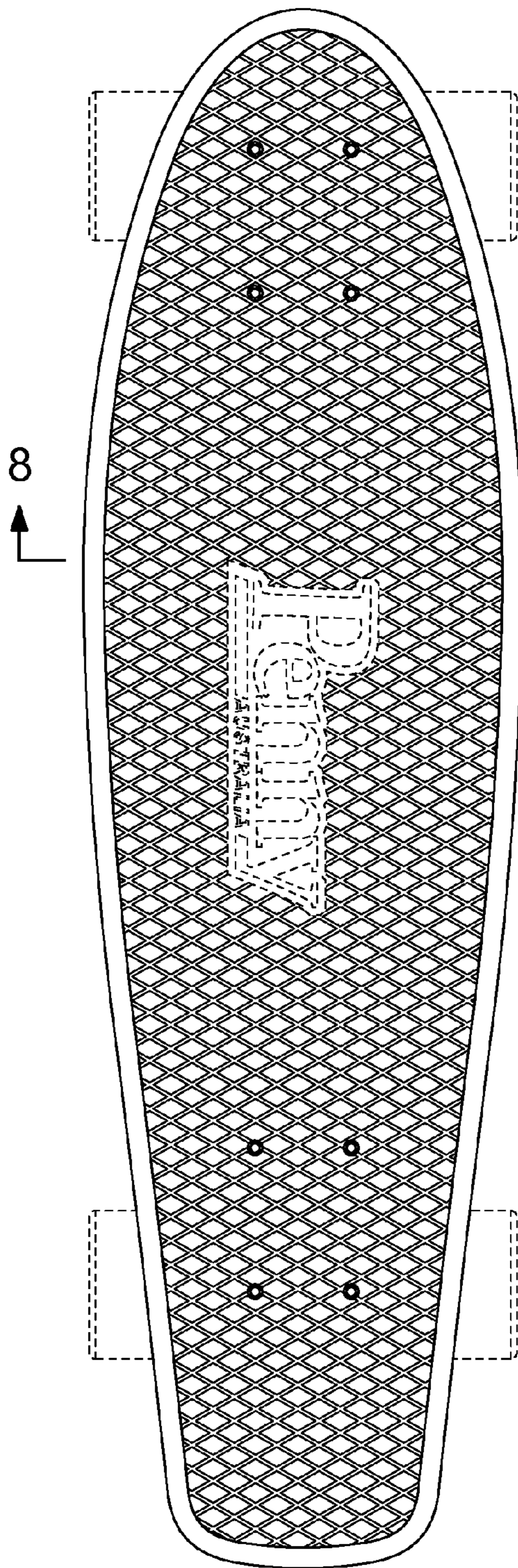


FIG. 6

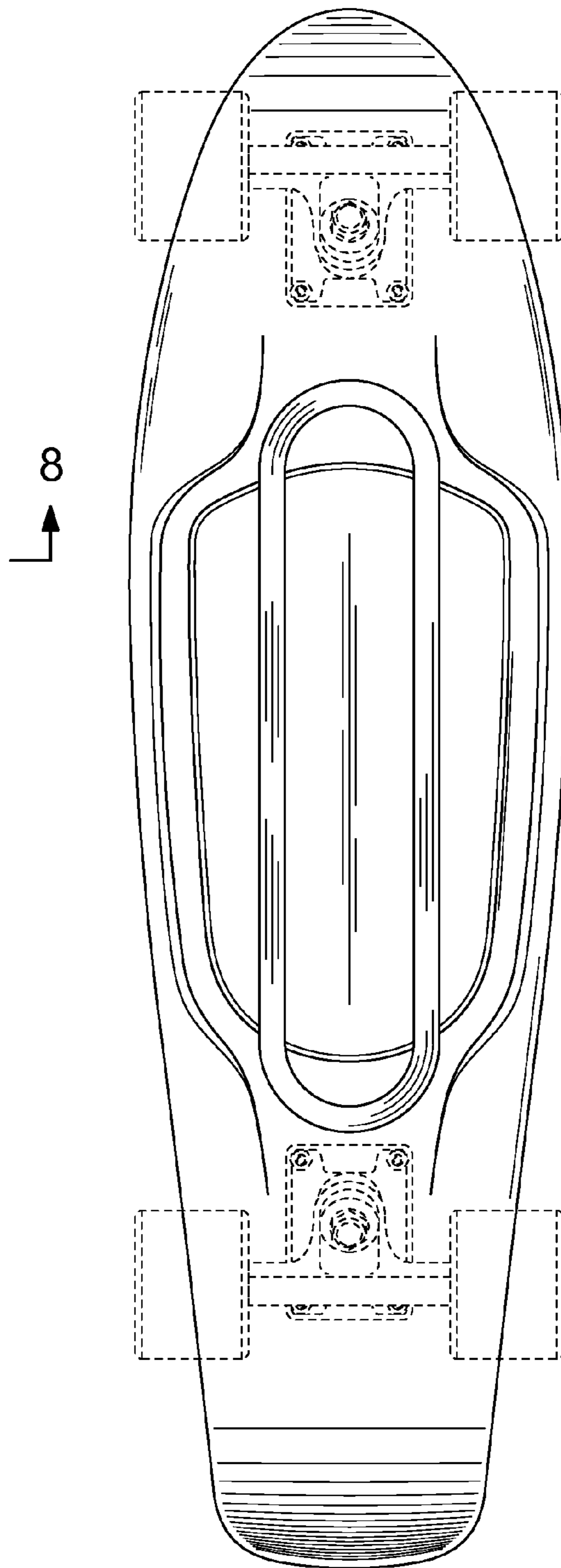


FIG. 7

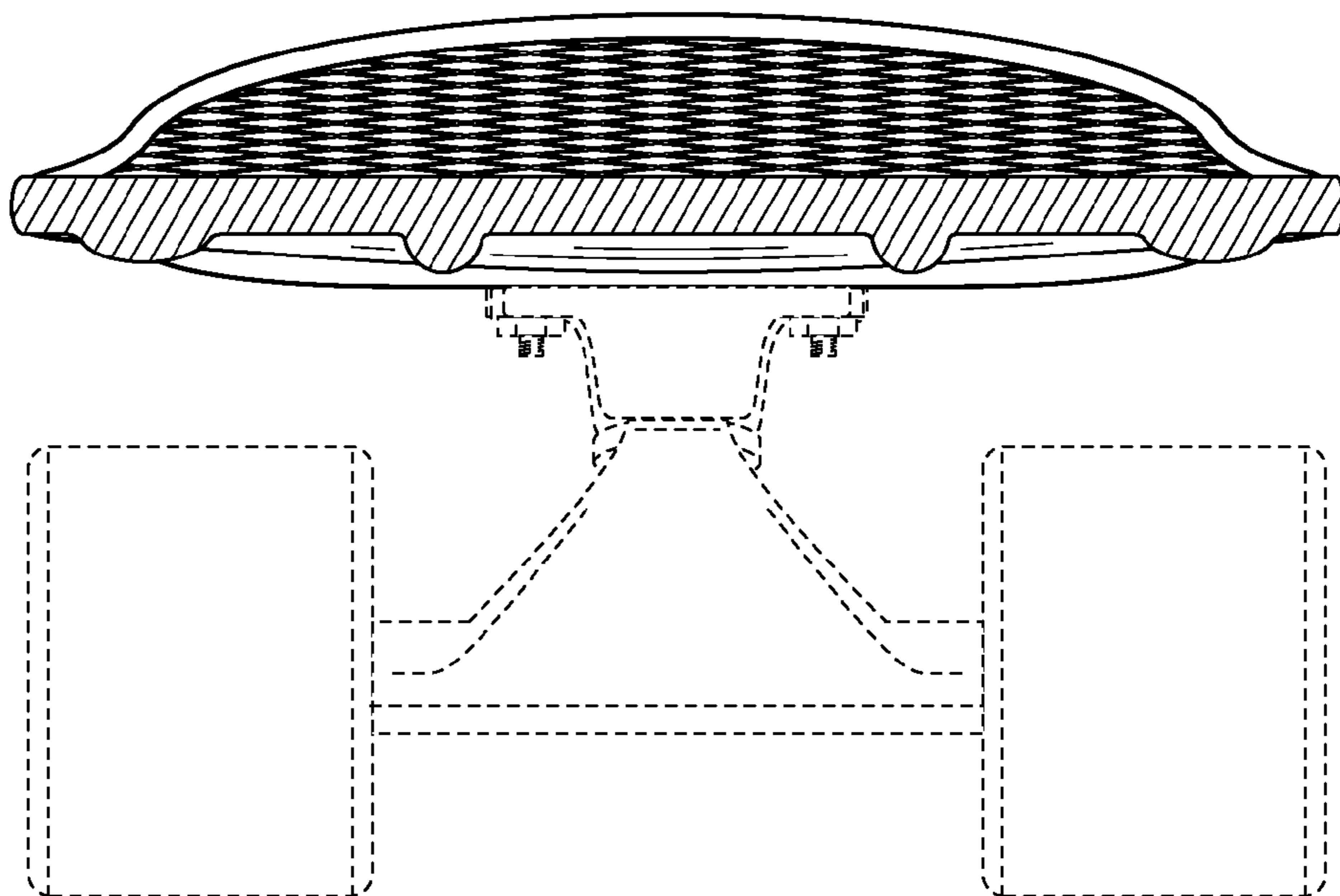


FIG. 8

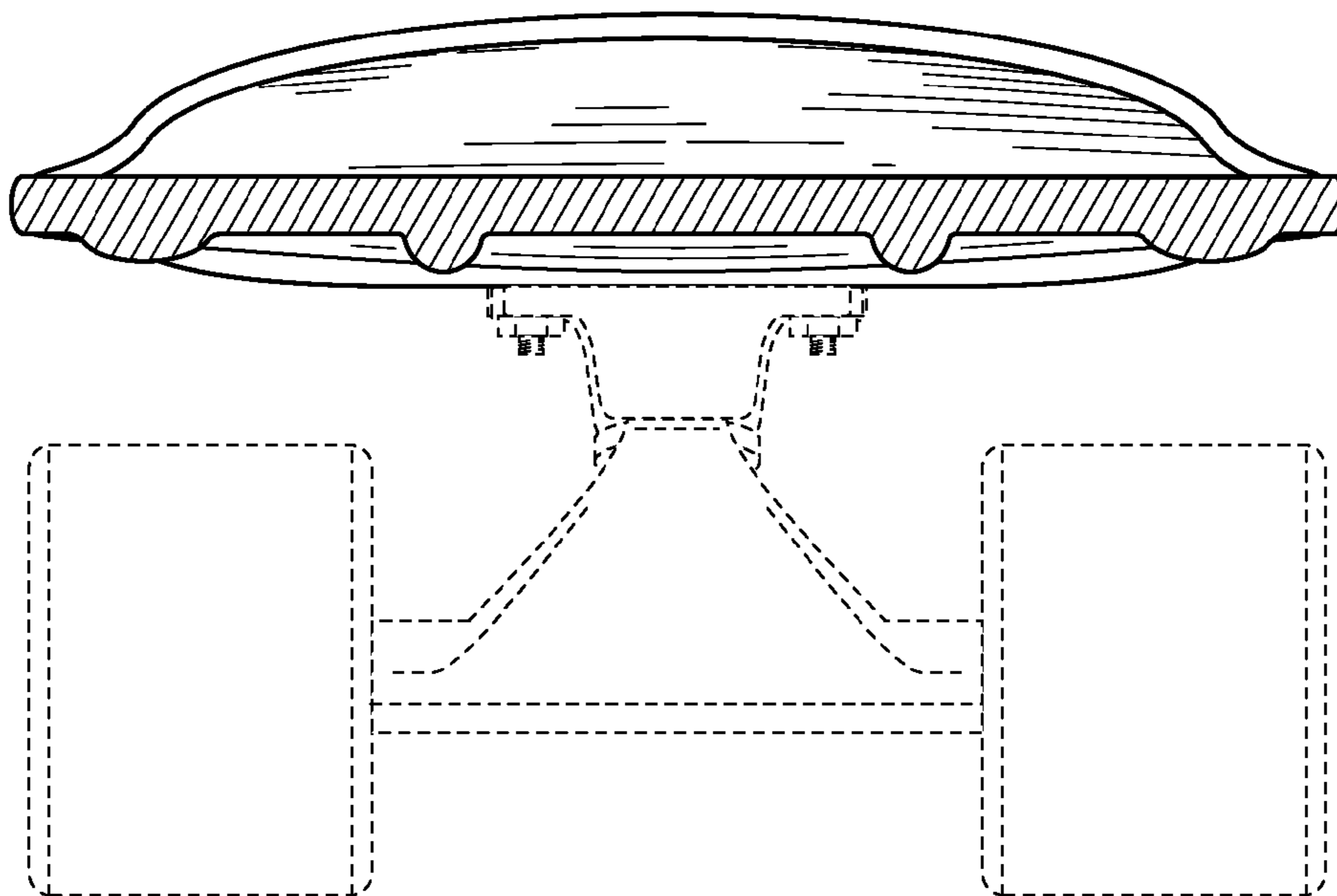


FIG. 12

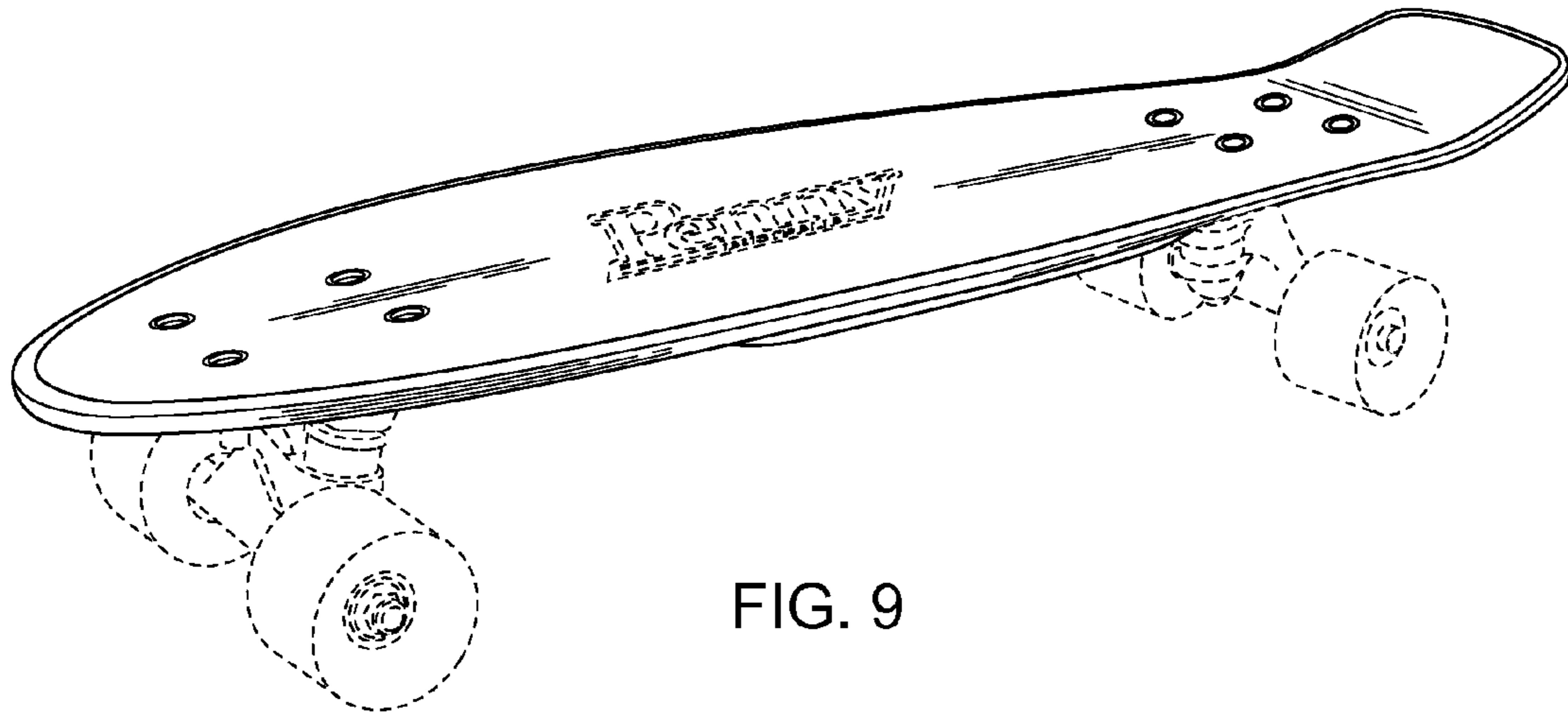


FIG. 9

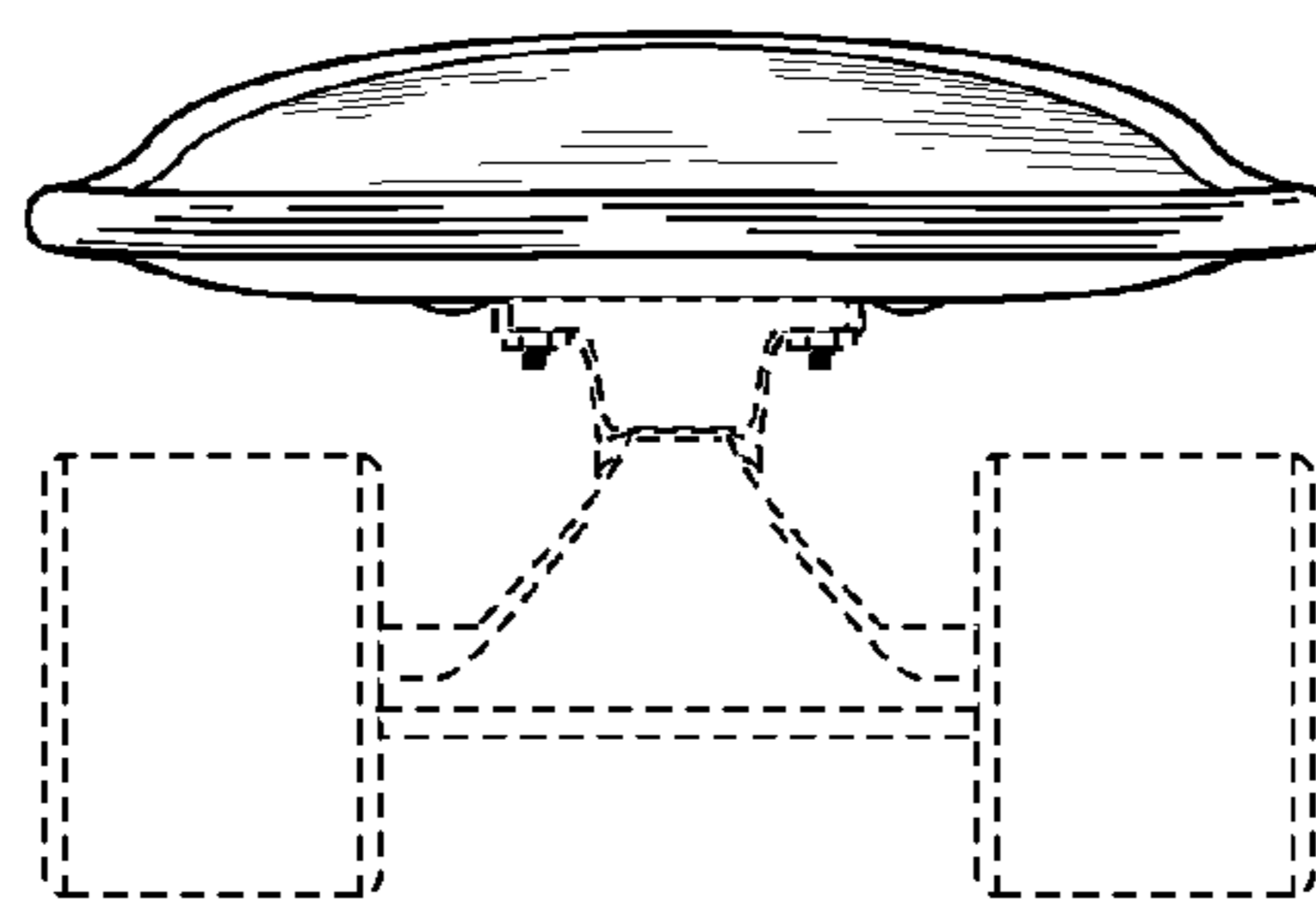


FIG. 10

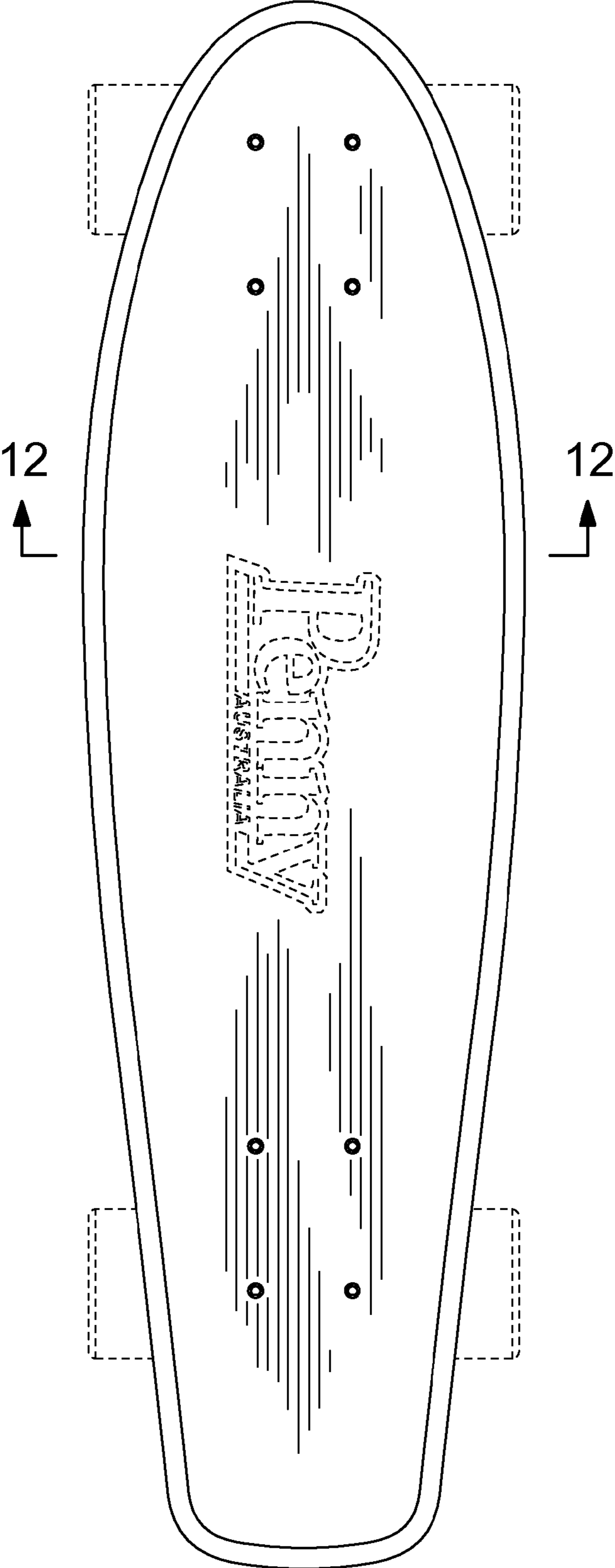


FIG. 11