



US00D692070S

(12) **United States Design Patent**
Mimlitch, III et al.

(10) **Patent No.:** **US D692,070 S**

(45) **Date of Patent:** **** Oct. 22, 2013**

(54) **CURVED TRACK COMPONENT**

(75) Inventors: **Robert H. Mimlitch, III**, Rowlett, TX (US); **David Anthony Norman**, Greenville, TX (US); **Douglas Michael Galletti**, Allen, TX (US); **Raul Olivera**, Greenville, TX (US); **Gregory Lavender**, Rockwall, TX (US); **Gregory Needel**, Rockwall, TX (US); **Jeffrey Russell Waegelin**, Rockwall, IL (US)

(73) Assignee: **Innovation First, Inc.**, Greenville, TX (US)

(**) Term: **14 Years**

(21) Appl. No.: **29/428,767**

(22) Filed: **Aug. 3, 2012**

(51) **LOC (9) Cl.** **21-01**

(52) **U.S. Cl.**
USPC **D21/565**

(58) **Field of Classification Search**
USPC D21/484, 490, 493, 509, 564, 565, 802, 21/818, 821; 446/168-174, 84, 89, 108, 446/112, 114, 116, 124-128, 429, 446/444-447; 463/58-69; 238/10 R, 238/10 A-10 C, 10 E, 10 F; 104/60, 69

See application file for complete search history.

(56) **References Cited**

U.S. PATENT DOCUMENTS

3,395,861	A *	8/1968	Kindred	238/10 R
D296,804	S *	7/1988	Bach et al.	D21/565
D345,997	S *	4/1994	Vadnal	D21/565
6,093,079	A *	7/2000	House	446/444
6,883,720	B2 *	4/2005	D'Angelo et al.	238/10 E
D632,348	S *	2/2011	McNutt	D21/565
D640,332	S *	6/2011	Beauregard et al.	D21/565
D644,696	S *	9/2011	Mimlitch et al.	D21/565
D651,661	S *	1/2012	Yuen	D21/565
2010/0248586	A1 *	9/2010	Cochella	446/444

* cited by examiner

Primary Examiner — Cynthia M Chin

(74) *Attorney, Agent, or Firm* — Adam K. Sacharoff

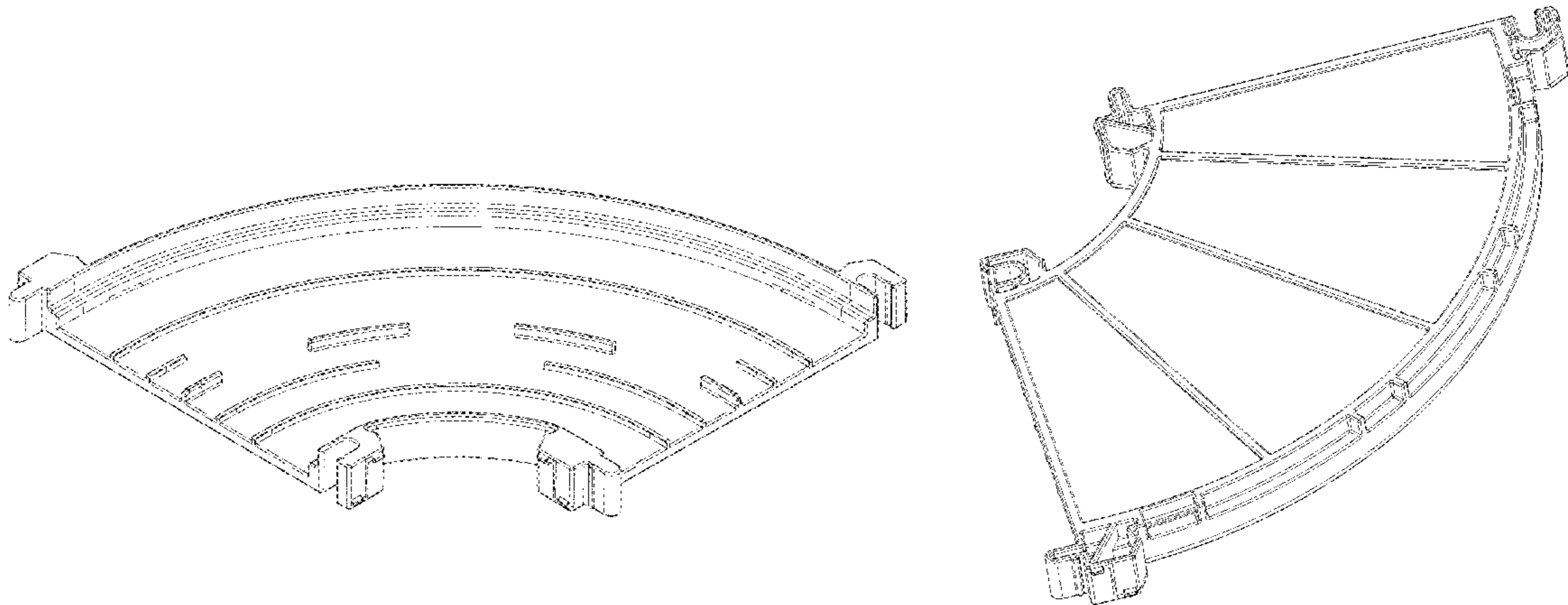
(57) **CLAIM**

The ornamental design for a curved track component, as shown and described.

DESCRIPTION

FIG. 1 is a front-top perspective view showing a curved track component;
FIG. 2 is a rear-top perspective view of FIG. 1;
FIG. 3 is a bottom-front perspective view of FIG. 1;
FIG. 4 is a bottom-rear perspective view of FIG. 1;
FIG. 5 is a top side view of FIG. 1;
FIG. 6 is a bottom side view of FIG. 1;
FIG. 7 is a front side view of FIG. 1;
FIG. 8 is a rear side view of FIG. 1;
FIG. 9 is a left side view of FIG. 1; and,
FIG. 10 is a right side view of FIG. 1.

1 Claim, 10 Drawing Sheets



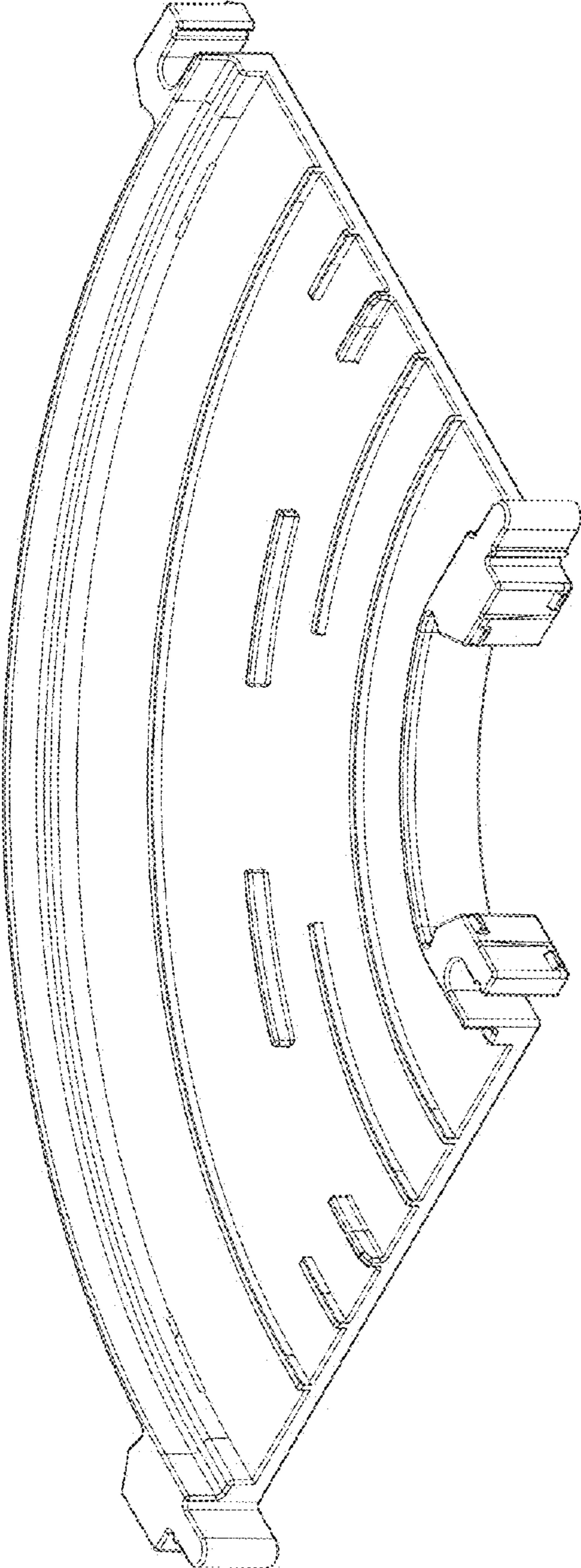


FIGURE 1

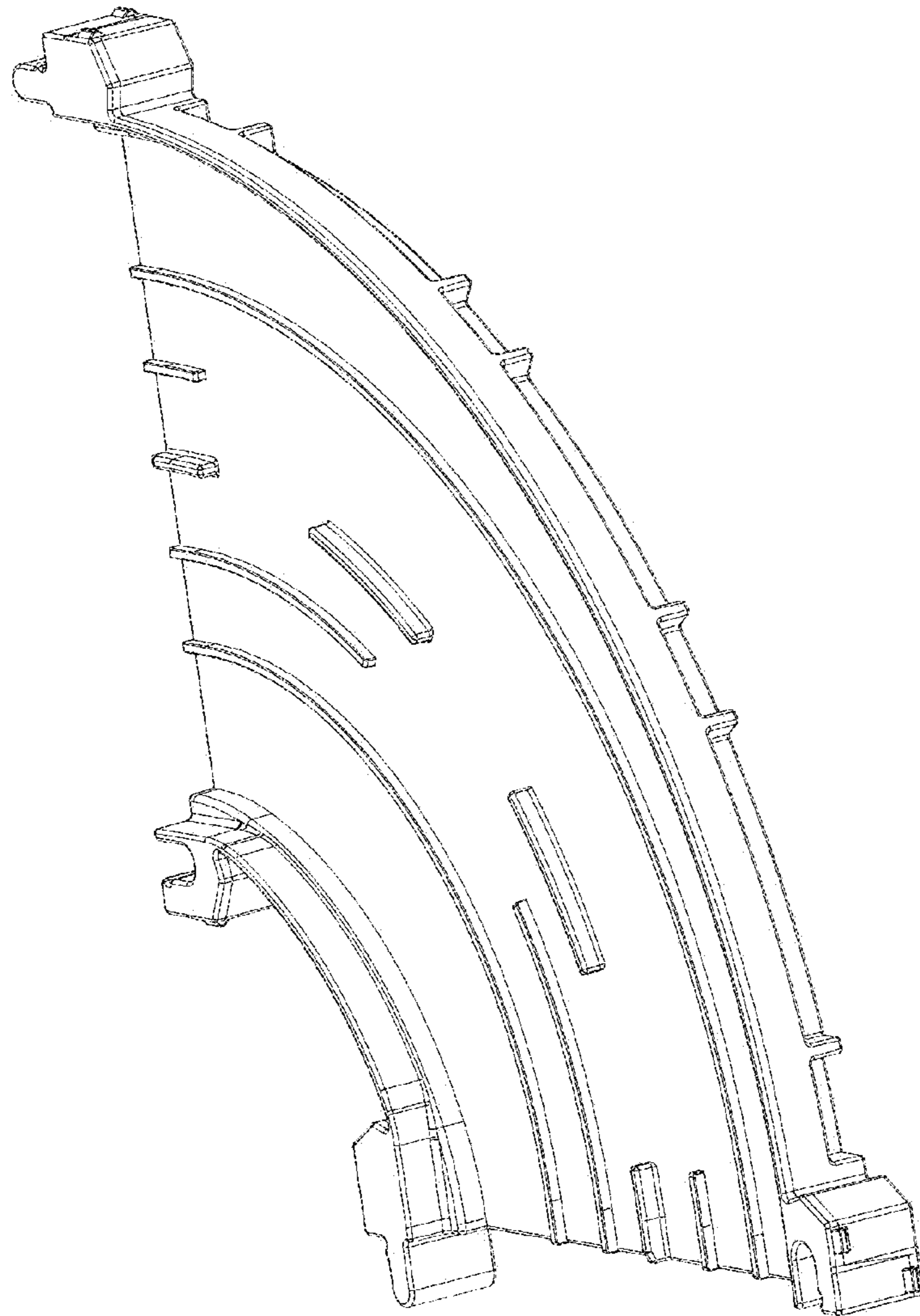


FIGURE 2

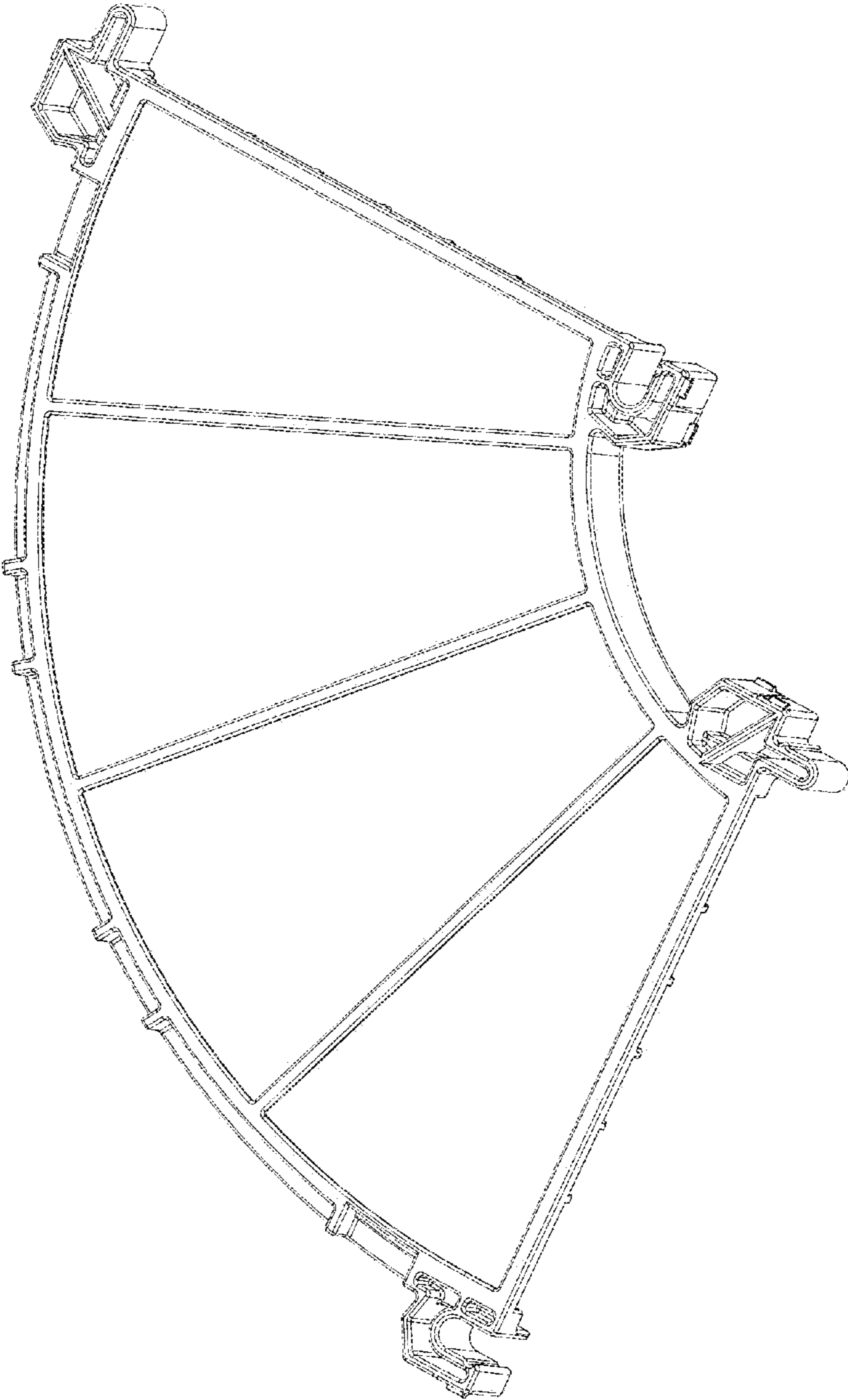


FIGURE 3

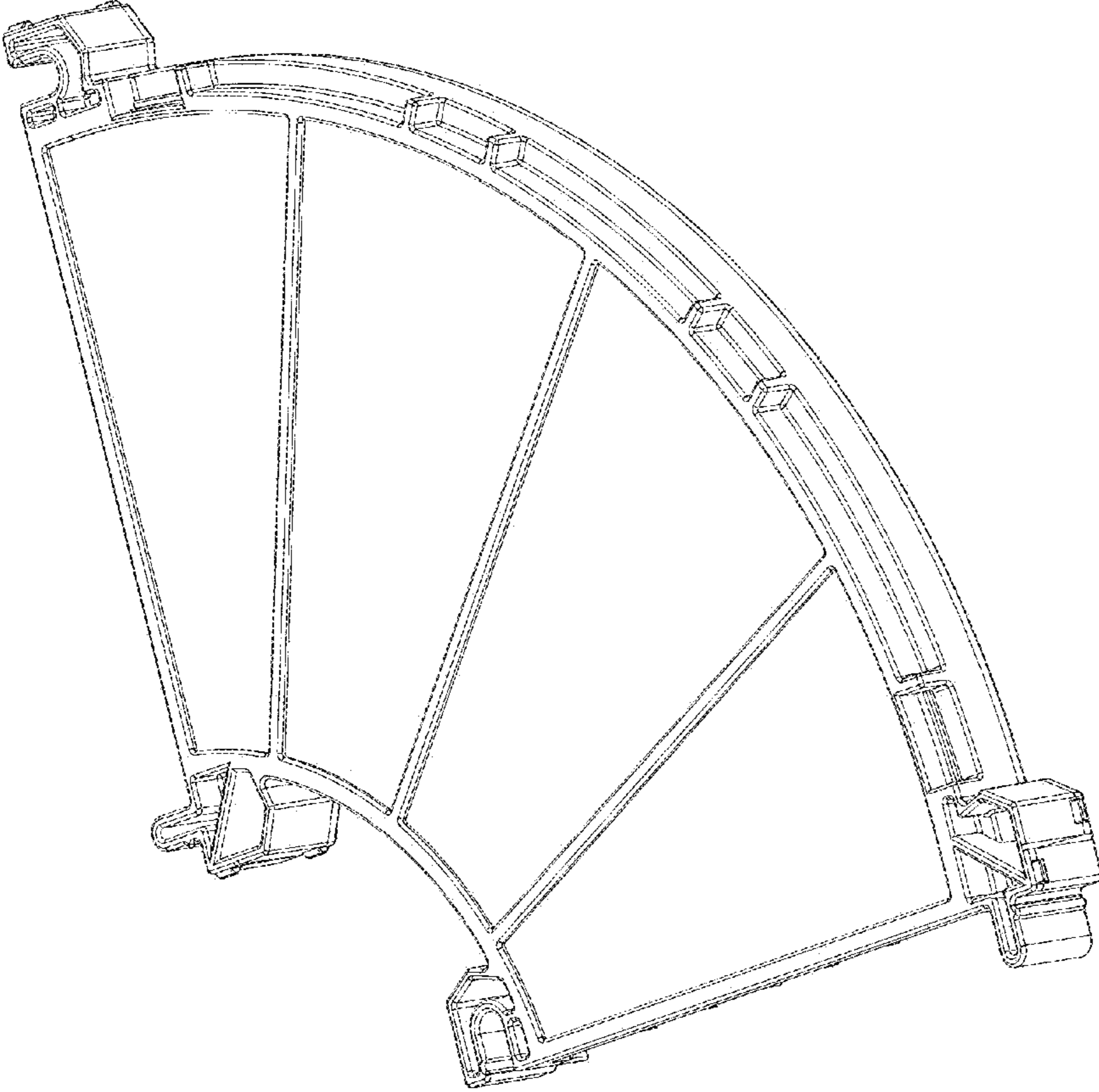


FIGURE 4

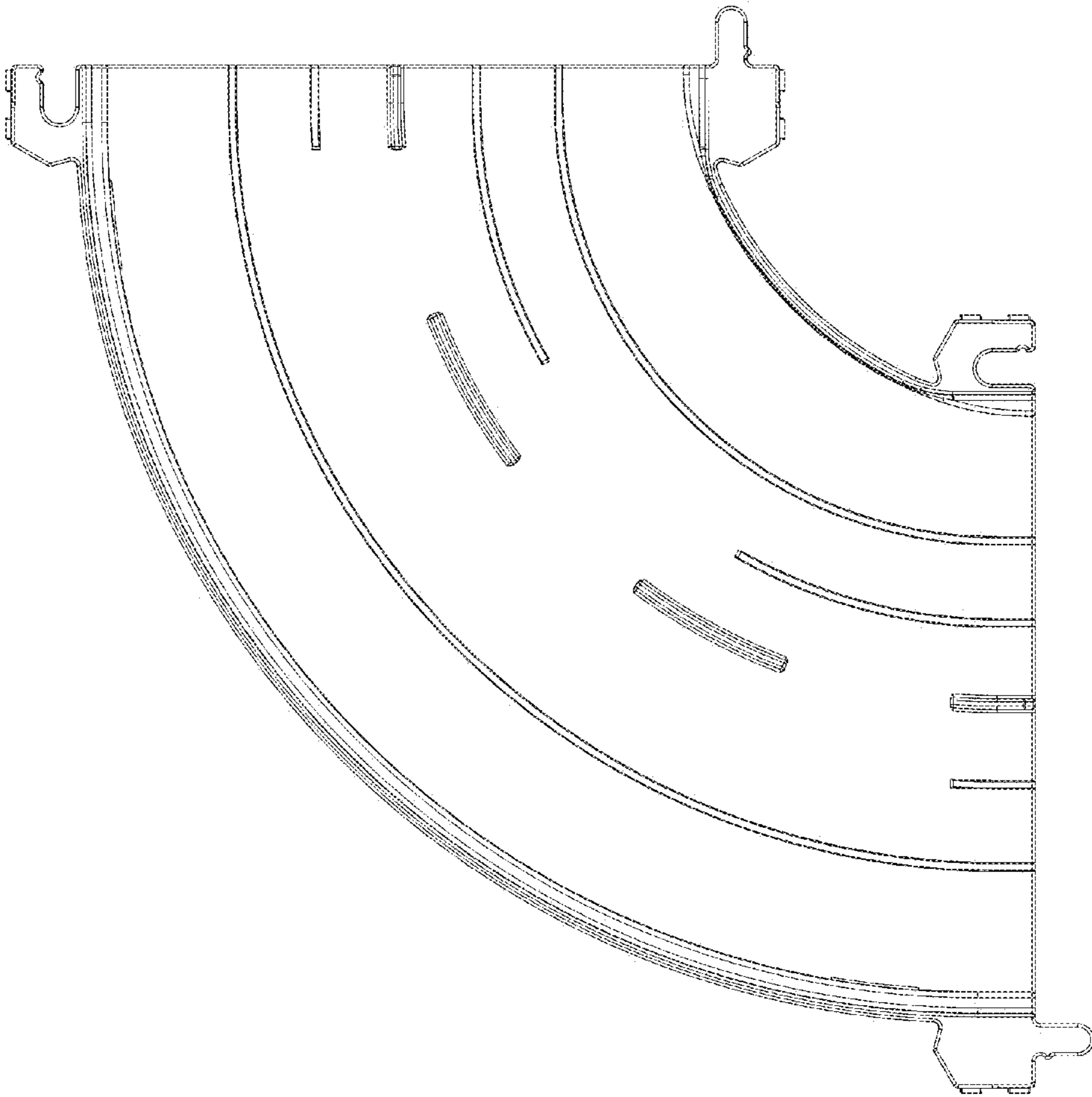


FIGURE 5

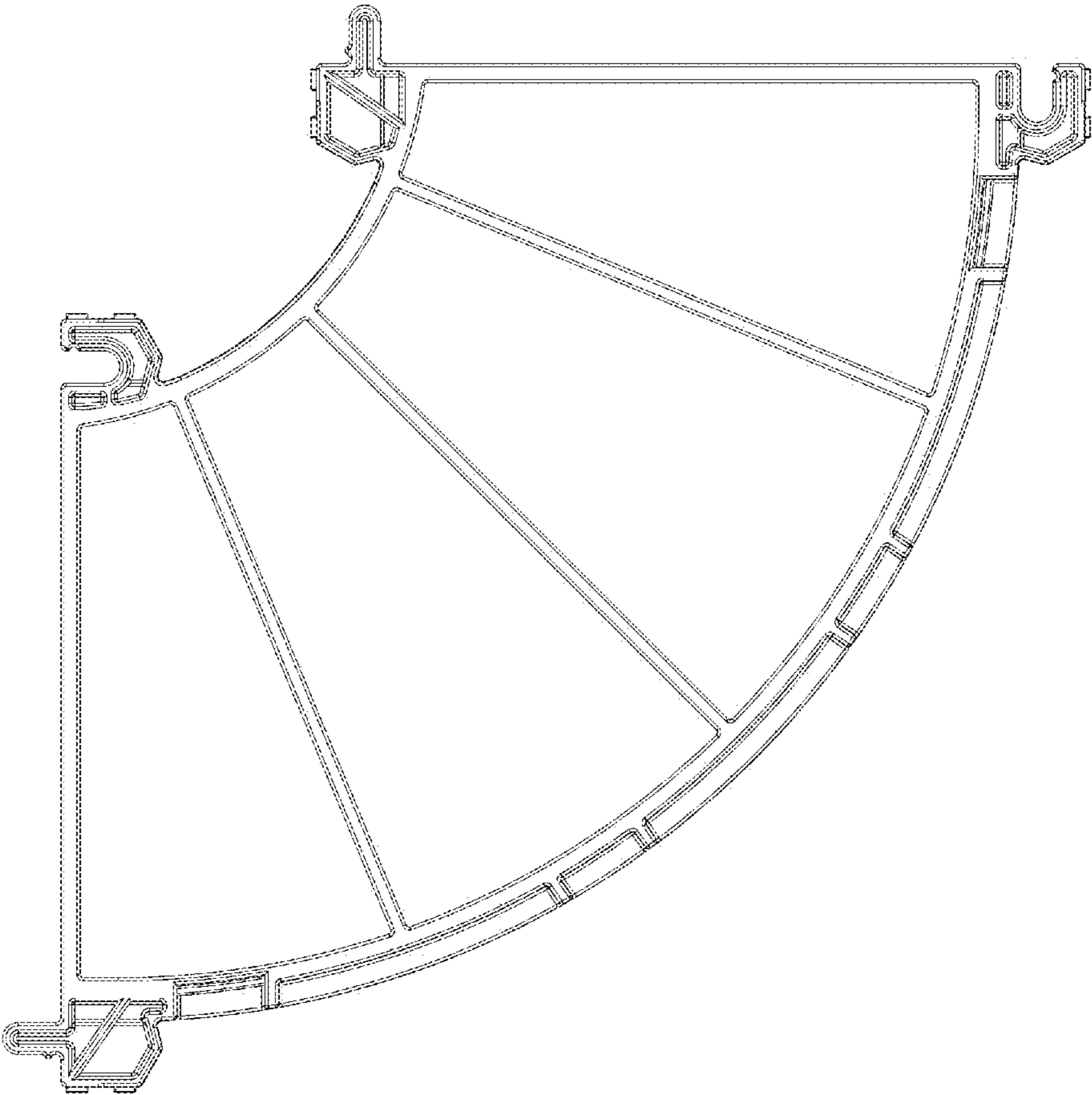


FIGURE 6

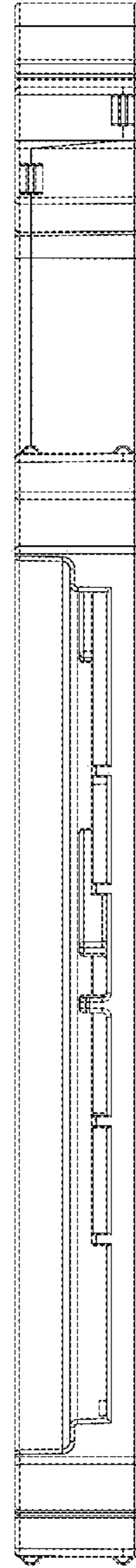


FIGURE 7

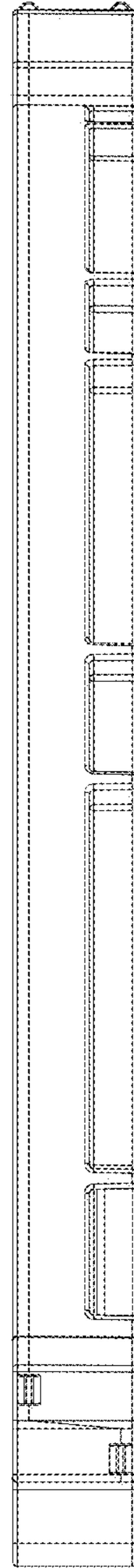


FIGURE 8

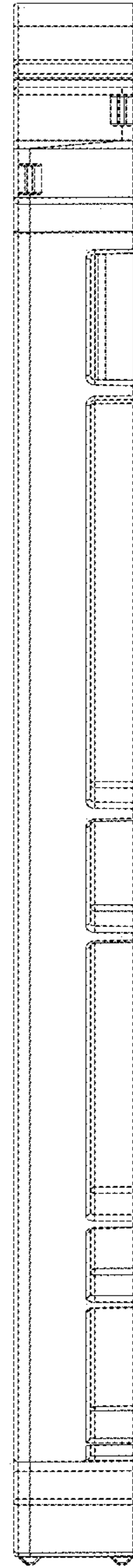


FIGURE 9

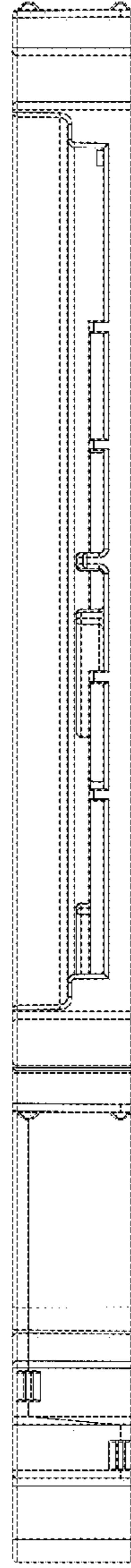


FIGURE 10