



US00D692068S

(12) **United States Design Patent**
Miller et al.

(10) **Patent No.:** **US D692,068 S**
(45) **Date of Patent:** **** Oct. 22, 2013**

(54) **MODIFIED CHIP RACK WITH INTEGRATED HOLE CARD READER**

(75) Inventors: **Arthur C. Miller**, Las Vegas, NV (US);
Dean A. Isaacs, Las Vegas, NV (US)

(73) Assignee: **Tech Art, Inc.**, Las Vegas, NV (US)

(**) Term: **14 Years**

(21) Appl. No.: **29/399,334**

(22) Filed: **Aug. 12, 2011**

(51) **LOC (9) Cl.** **21-01**

(52) **U.S. Cl.**
USPC **D21/392**

(58) **Field of Classification Search**
USPC D21/392; D99/34; 206/0.8, 315.1;
211/49.1; 53/254

See application file for complete search history.

(56) **References Cited**

U.S. PATENT DOCUMENTS

233,829 A 11/1880 Adt
500,955 A * 7/1893 Sabarthes et al. 206/0.8

(Continued)

FOREIGN PATENT DOCUMENTS

DE 1039429 9/1958
DE 3807127 A1 9/1989

(Continued)

Primary Examiner — George D Kirschbaum

(74) *Attorney, Agent, or Firm* — Kevin P. Crosby;
GrayRobinson, P.A.

(57) **CLAIM**

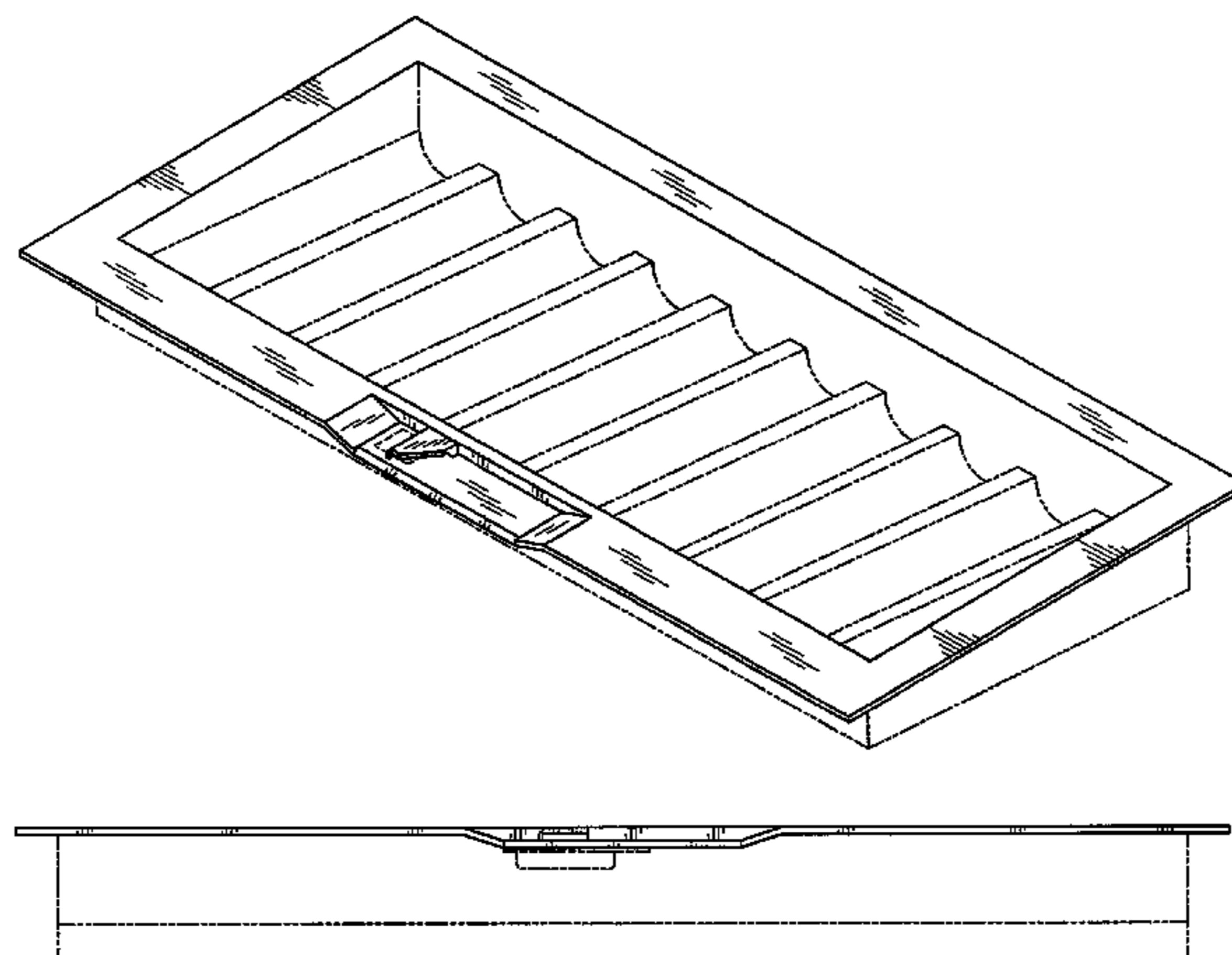
The ornamental design for modified chip rack with integrated hole card reader, as shown and described.

DESCRIPTION

FIG. 1 is a left front perspective view of a first embodiment of the design.

FIG. 2 is a top plan view thereof.
FIG. 3 is a right side elevational view thereof.
FIG. 4 is a front elevational view thereof.
FIG. 5 is a bottom plan view thereof.
FIG. 6 is a rear elevational view thereof.
FIG. 7 is a left elevational view thereof.
FIG. 8 is a right front perspective view thereof.
FIG. 9 is a left rear perspective view thereof.
FIG. 10 is a right rear perspective view thereof.
FIG. 11 is a left front perspective view of a second embodiment of the design.
FIG. 12 is a top plan view thereof.
FIG. 13 is a right side elevational view thereof.
FIG. 14 is a front elevational view thereof.
FIG. 15 is a bottom plan view thereof.
FIG. 16 is a rear elevational view thereof.
FIG. 17 is a left elevational view thereof.
FIG. 18 is a right front perspective view thereof.
FIG. 19 is a left rear perspective view thereof.
FIG. 20 is a right rear perspective view thereof.
FIG. 21 is a left front perspective view of a third embodiment of the design.
FIG. 22 is a top plan view thereof.
FIG. 23 is a right side elevational view thereof.
FIG. 24 is a front elevational view thereof.
FIG. 25 is a bottom plan view thereof.
FIG. 26 is a rear elevational view thereof.
FIG. 27 is a left elevational view thereof.
FIG. 28 is a right front perspective view thereof.
FIG. 29 is a left rear perspective view thereof.
FIG. 30 is a right rear perspective view thereof.
FIG. 31 is a left front perspective view of a fourth embodiment of the design.
FIG. 32 is a top plan view thereof.
FIG. 33 is a right side elevational view thereof.
FIG. 34 is a front elevational view thereof.
FIG. 35 is a bottom plan view thereof.
FIG. 36 is a rear elevational view thereof.
FIG. 37 is a left elevational view thereof.
FIG. 38 is a right front perspective view thereof.
FIG. 39 is a left rear perspective view thereof; and,
FIG. 40 is a right rear perspective view thereof.
The broken lines depict unclaimed environmental subject matter.

1 Claim, 40 Drawing Sheets



(56)

References Cited

U.S. PATENT DOCUMENTS

1,356,398 A 10/1920 Owens
 1,488,025 A * 3/1924 Poynter 211/49.1
 1,590,463 A 6/1926 Wood
 1,919,922 A 7/1933 Baker, Jr. et al.
 2,046,595 A 7/1936 Yerkes
 2,620,063 A * 12/1952 Stanton 206/315.1
 3,034,512 A 5/1962 Hunter
 3,107,467 A * 10/1963 Gates 53/254
 3,165,319 A 1/1965 Benima
 3,222,071 A 12/1965 Lang
 3,312,473 A 4/1967 Friedman et al.
 3,489,907 A 1/1970 Kenez
 3,529,829 A 9/1970 Seifert
 3,658,342 A 4/1972 Borea
 3,690,670 A 9/1972 Cassady et al.
 3,716,238 A 2/1973 Porter
 3,731,936 A 5/1973 Copeland
 3,742,616 A 7/1973 Heller
 3,743,294 A 7/1973 Forster
 3,751,041 A 8/1973 Seifert
 3,779,554 A 12/1973 Brix
 3,814,436 A 6/1974 Boren
 3,858,797 A 1/1975 Takeuchi
 3,929,339 A 12/1975 Mattioli
 4,026,309 A 5/1977 Howard
 4,146,229 A 3/1979 Morse
 4,314,700 A 2/1982 Dylag
 D274,441 S * 6/1984 Stevenson D21/392
 4,531,187 A 7/1985 Uhland
 4,534,562 A 8/1985 Cuff et al.
 D285,859 S * 9/1986 Ooki D99/34
 4,667,959 A 5/1987 Pfeiffer et al.
 4,814,589 A 3/1989 Storch et al.
 4,822,050 A 4/1989 Normand et al.
 D317,951 S 7/1991 Miller
 5,039,102 A 8/1991 Miller
 5,067,713 A 11/1991 Soules et al.
 5,110,134 A 5/1992 Laughlin et al.
 5,219,172 A 6/1993 Laughlin et al.
 5,224,712 A 7/1993 Laughlin et al.
 5,283,422 A 2/1994 Storch et al.
 5,312,104 A 5/1994 Miller
 5,362,053 A 11/1994 Miller
 5,364,106 A 11/1994 Laughlin et al.
 5,374,061 A 12/1994 Albrecht
 5,451,054 A 9/1995 Orenstein
 5,531,331 A 7/1996 Barnett
 5,651,548 A 7/1997 French et al.
 5,669,816 A 9/1997 Garczynski et al.
 5,681,039 A 10/1997 Miller
 5,722,893 A 3/1998 Hill et al.
 5,757,876 A 5/1998 Dam et al.
 5,779,546 A 7/1998 Meissner et al.
 5,781,647 A 7/1998 Fishbine et al.
 5,809,482 A 9/1998 Strisower
 5,933,244 A 8/1999 Kiritchenko
 5,941,769 A 8/1999 Order
 5,961,121 A 10/1999 Brown

6,039,650 A 3/2000 Hill
 6,126,166 A 10/2000 Lorson et al.
 6,254,484 B1 7/2001 McCrea, Jr.
 6,267,671 B1 7/2001 Hogan
 6,299,536 B1 10/2001 Hill
 6,313,871 B1 11/2001 Schubert
 6,346,044 B1 2/2002 McCrea, Jr.
 6,431,984 B2 8/2002 Coyer et al.
 6,460,848 B1 10/2002 Soltys et al.
 6,514,140 B1 2/2003 Storch
 6,517,435 B2 2/2003 Soltys et al.
 6,517,436 B2 2/2003 Soltys et al.
 6,520,857 B2 2/2003 Soltys et al.
 6,527,271 B2 3/2003 Soltys et al.
 6,530,836 B2 3/2003 Soltys et al.
 6,532,297 B1 3/2003 Lindquist
 6,533,276 B2 3/2003 Soltys et al.
 6,567,159 B1 5/2003 Corech
 6,579,180 B2 6/2003 Soltys et al.
 6,595,857 B2 7/2003 Soltys et al.
 6,609,710 B1 8/2003 Order
 6,619,662 B2 9/2003 Miller
 6,626,750 B2 9/2003 Momemy
 6,629,889 B2 10/2003 Mothwurf
 6,638,161 B2 10/2003 Soltys et al.
 D482,735 S * 11/2003 Evans D21/392
 6,652,379 B2 11/2003 Soltys et al.
 6,663,490 B2 12/2003 Soltys et al.
 6,685,568 B2 2/2004 Soltys et al.
 6,688,979 B2 2/2004 Soltys et al.
 6,712,696 B2 3/2004 Soltys et al.
 6,758,751 B2 7/2004 Soltys et al.
 6,845,905 B2 1/2005 Blad et al.
 6,848,994 B1 2/2005 Knust et al.
 6,857,961 B2 2/2005 Soltys et al.
 6,964,612 B2 11/2005 Soltys et al.
 7,011,309 B2 3/2006 Soltys et al.
 7,316,615 B2 1/2008 Soltys et al.
 D657,427 S * 4/2012 Gelinotte et al. D21/392
 2002/0086727 A1 7/2002 Soltys et al.
 2003/0220136 A1 11/2003 Soltys et al.
 2004/0219975 A1 11/2004 Soltys et al.
 2005/0239542 A1 10/2005 Olsen
 2005/0258597 A1 11/2005 Soltys et al.
 2005/0282623 A1 12/2005 Matsuno et al.
 2006/0019739 A1 1/2006 Soltys et al.
 2006/0063577 A1 3/2006 Downs, III et al.
 2006/0199649 A1 9/2006 Soltys et al.

FOREIGN PATENT DOCUMENTS

EP 0310516 A1 4/1989
 FR 1356398 2/1964
 FR 2109213 5/1972
 FR 2186839 1/1974
 FR 2427107 12/1979
 FR 2576518 8/1986
 GB 2061490 A 5/1981
 WO 9942186 A1 8/1999
 WO 0120489 A1 3/2001

* cited by examiner

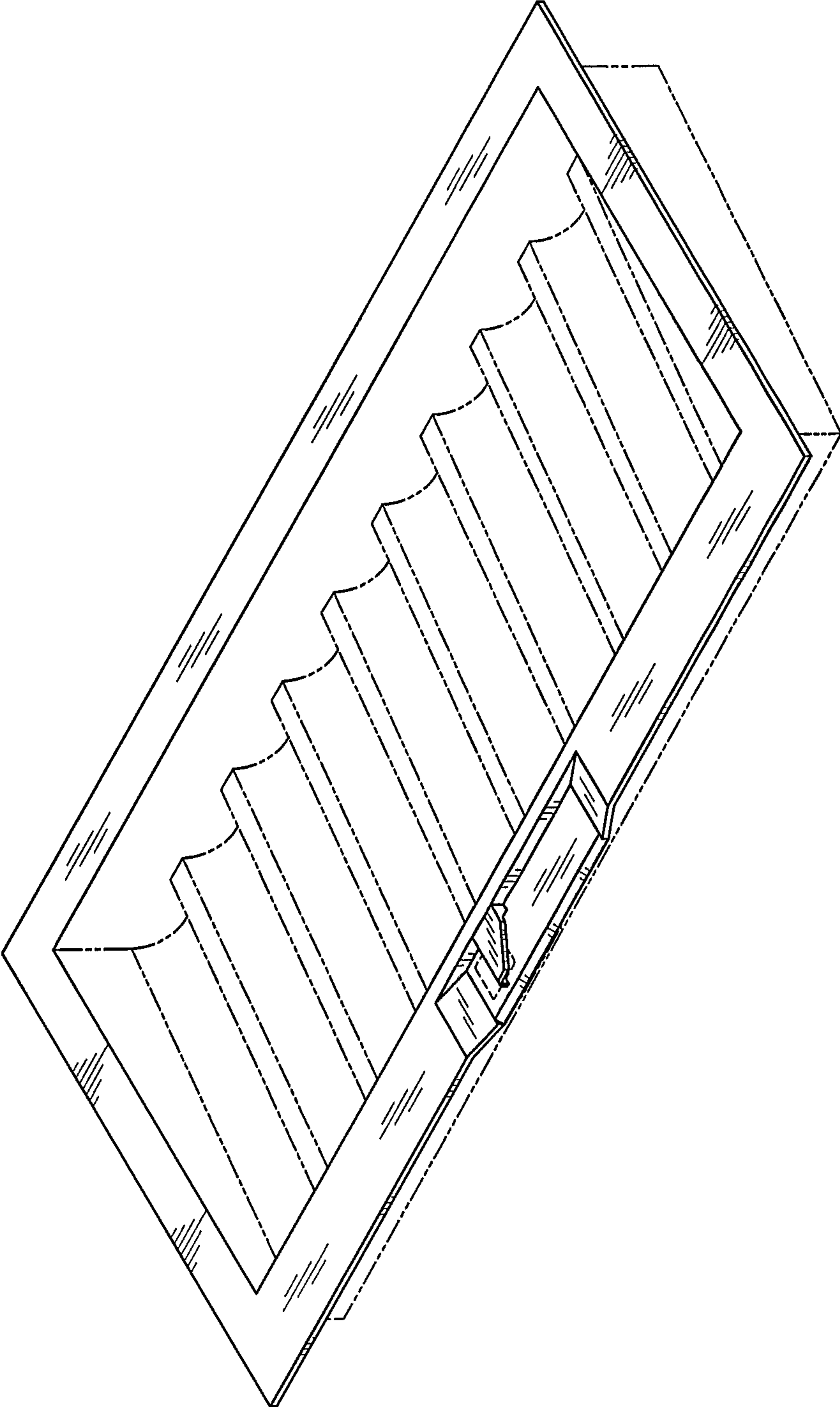


FIG. 1

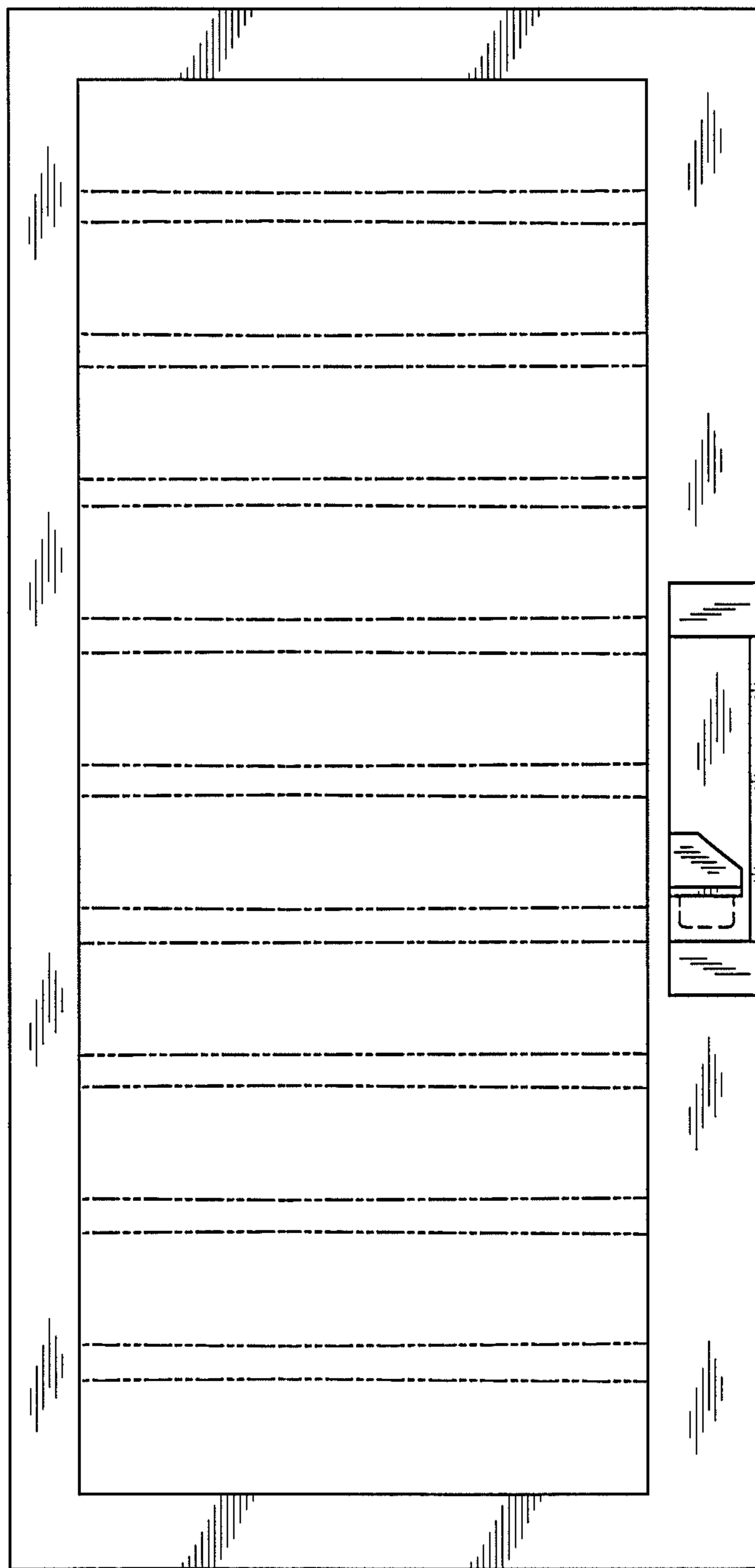


FIG. 2

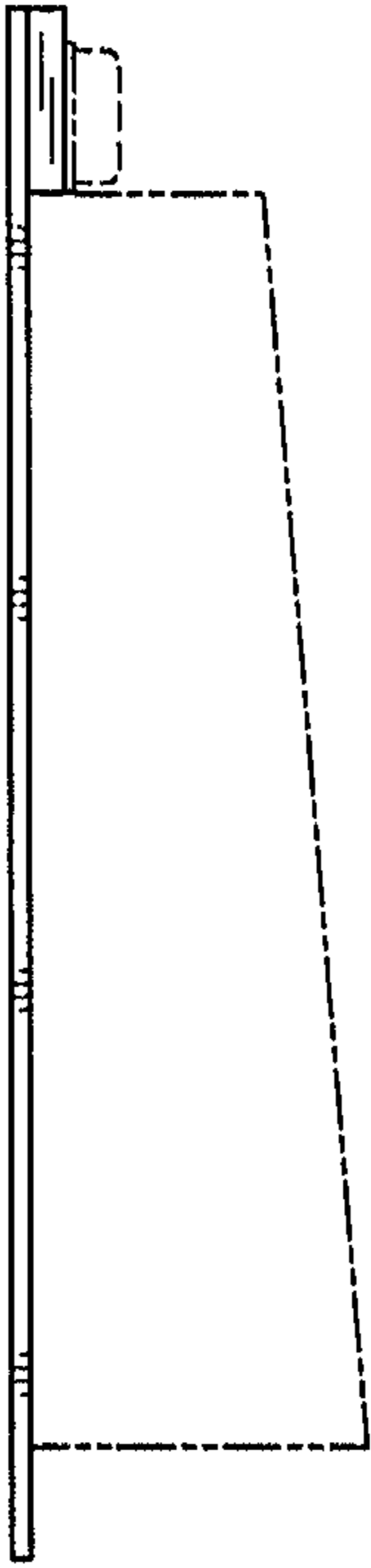


FIG. 3

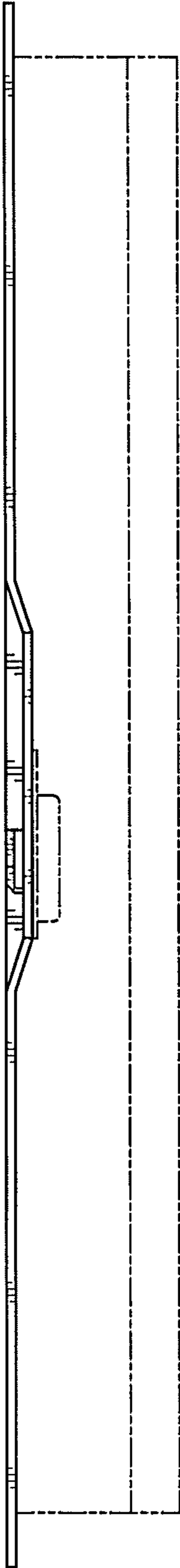


FIG. 4

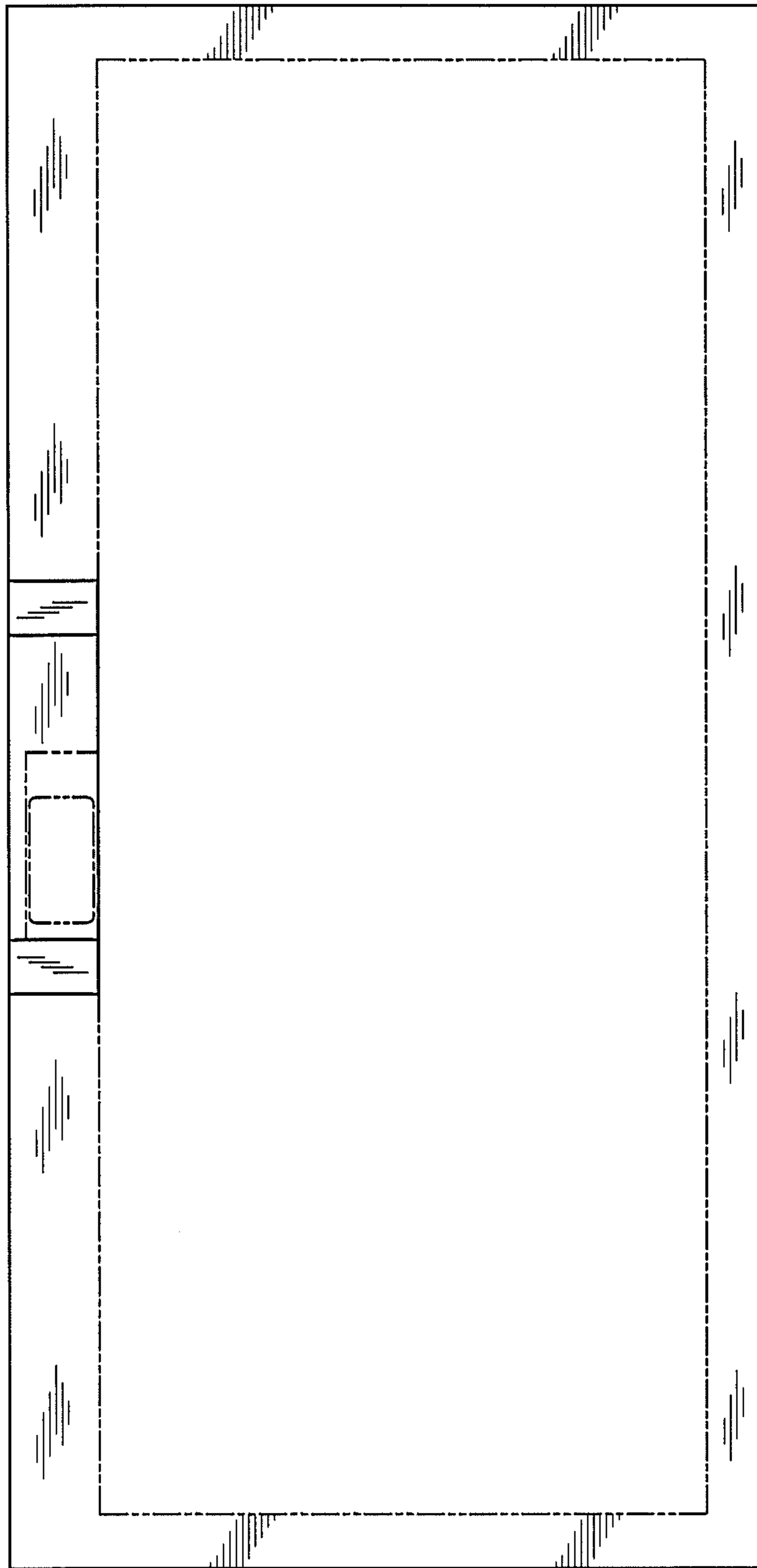


FIG. 5

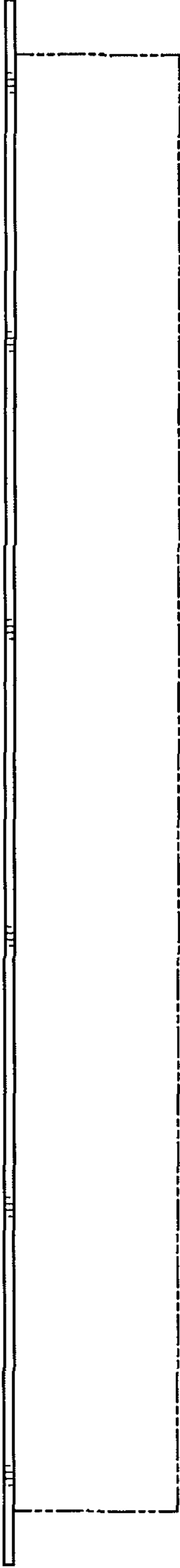


FIG. 6

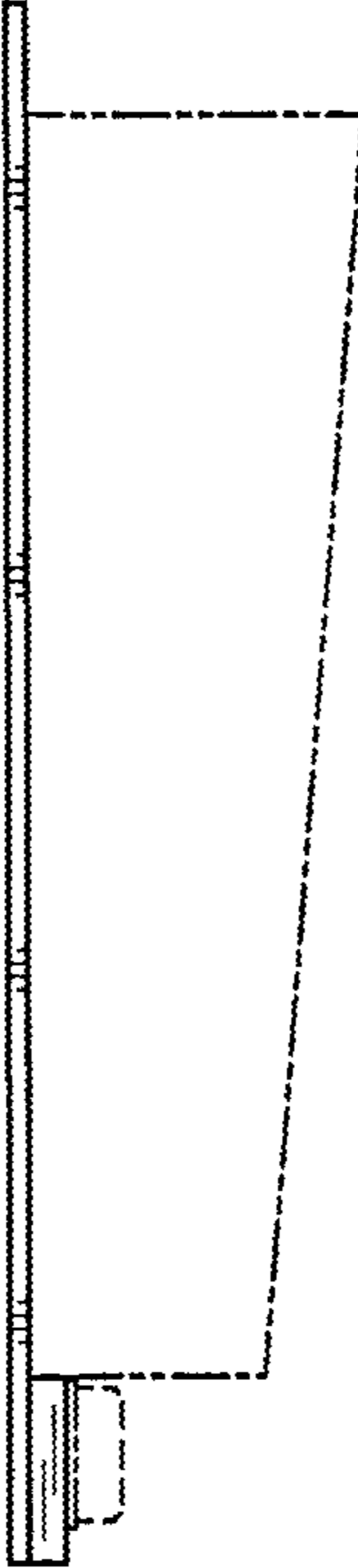


FIG. 7

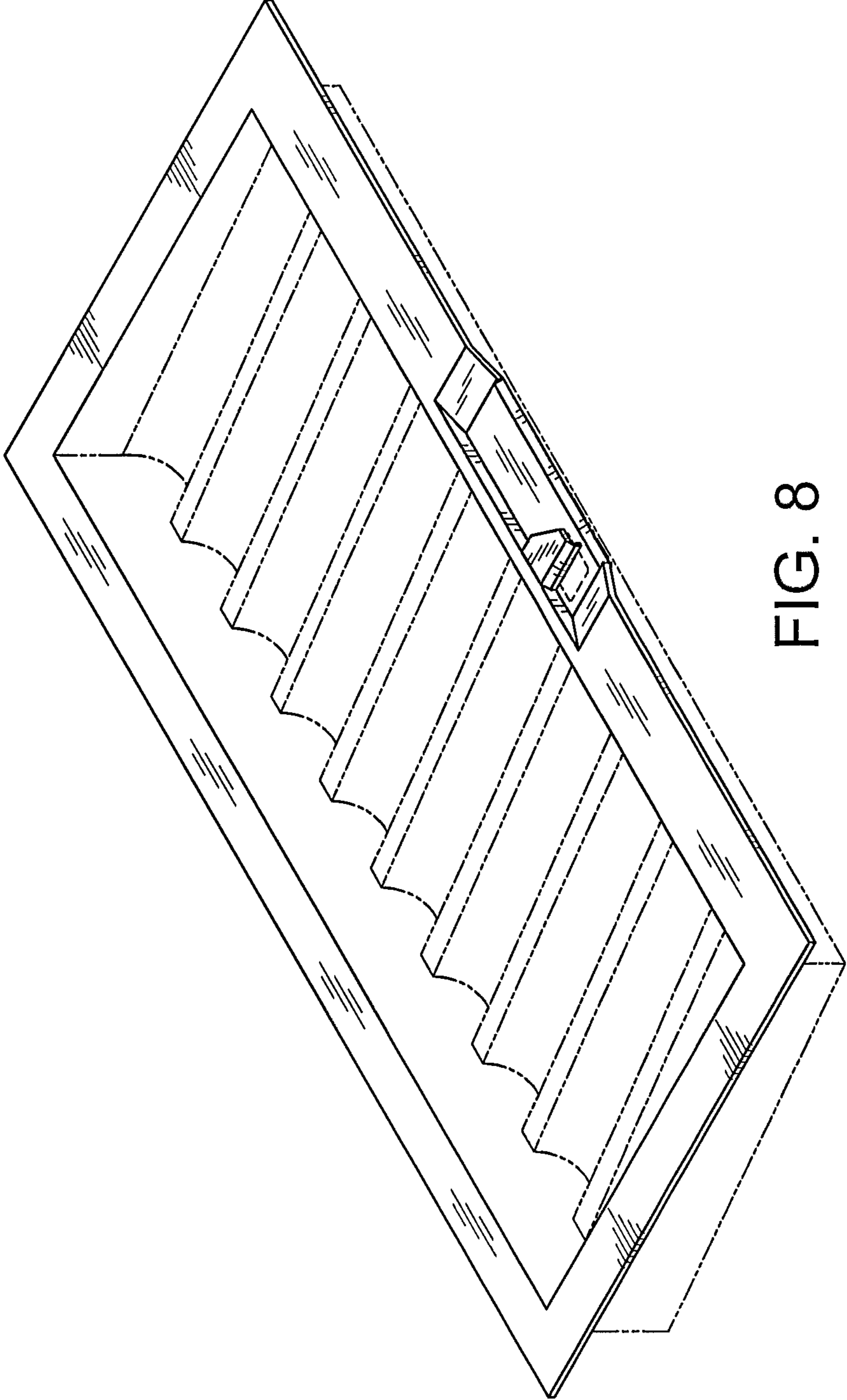


FIG. 8

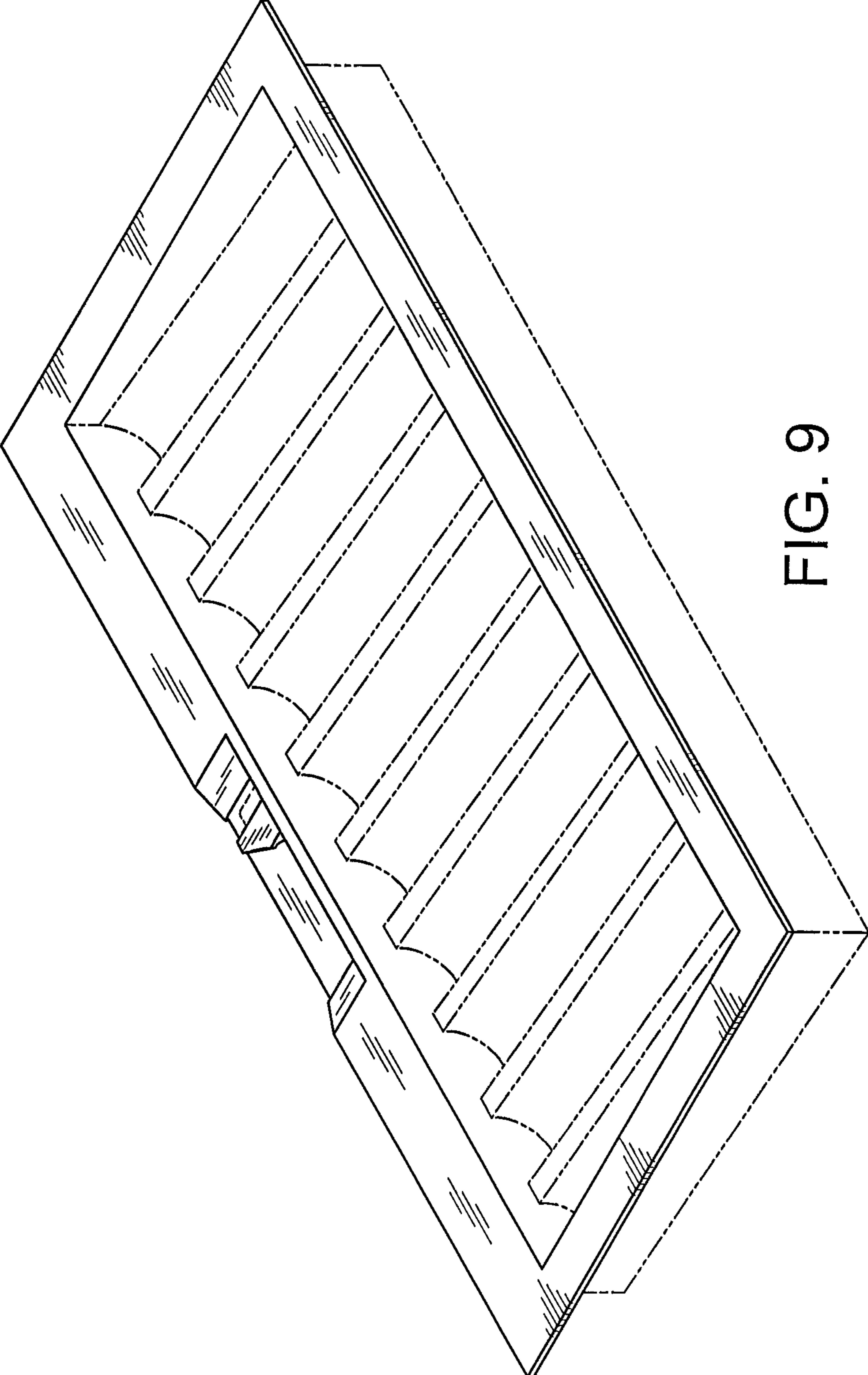


FIG. 9

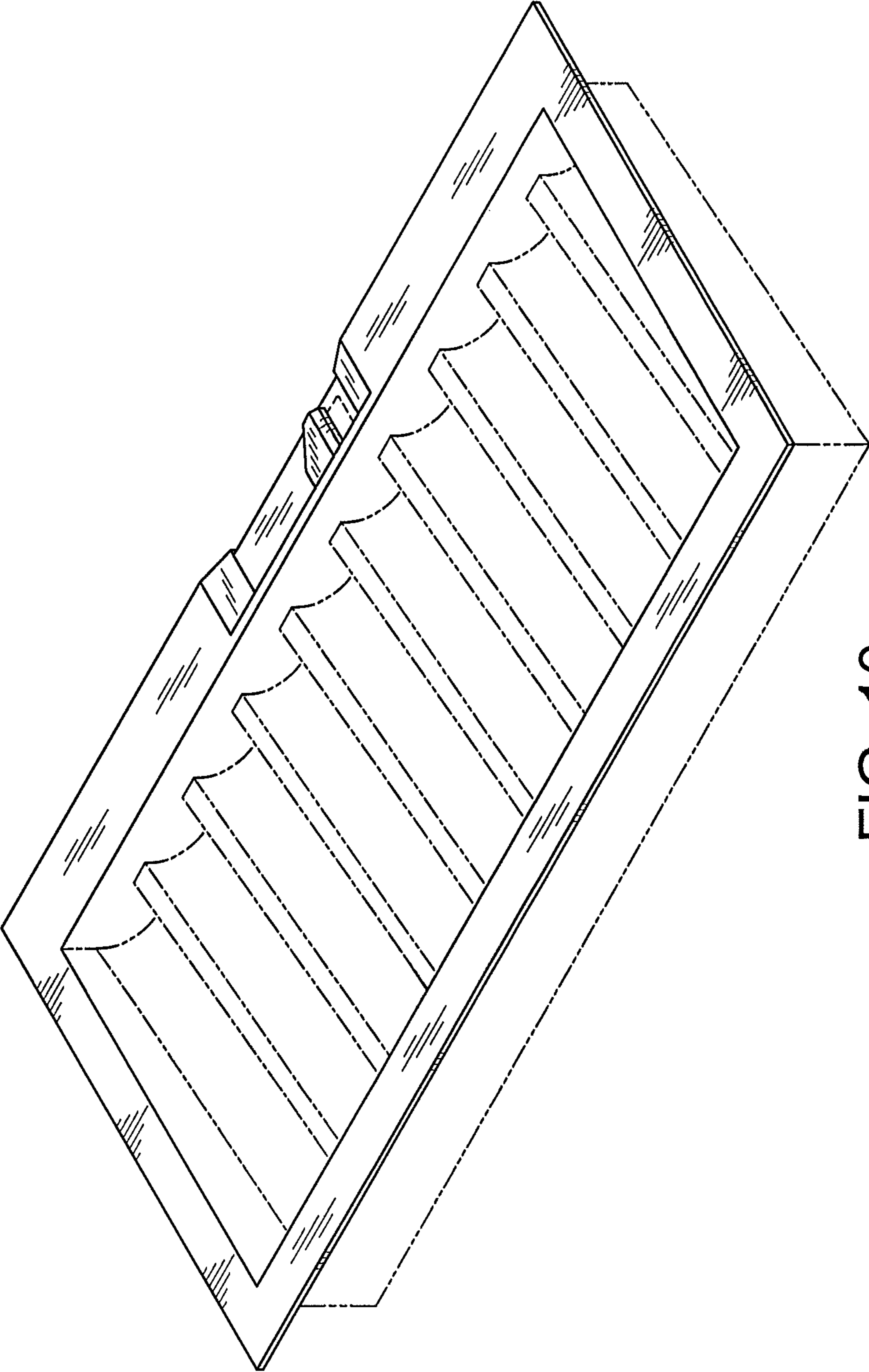


FIG. 10

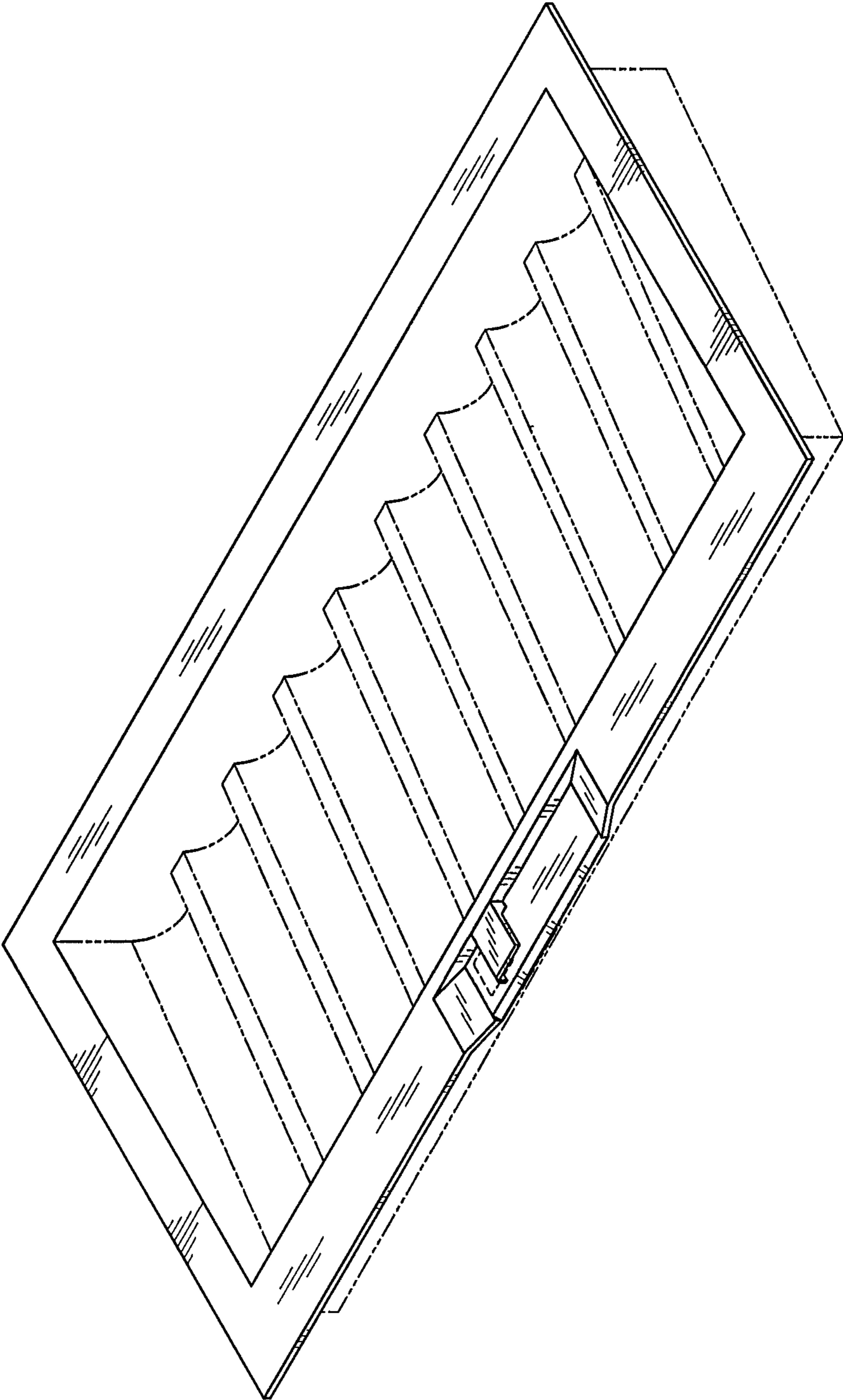


FIG. 11

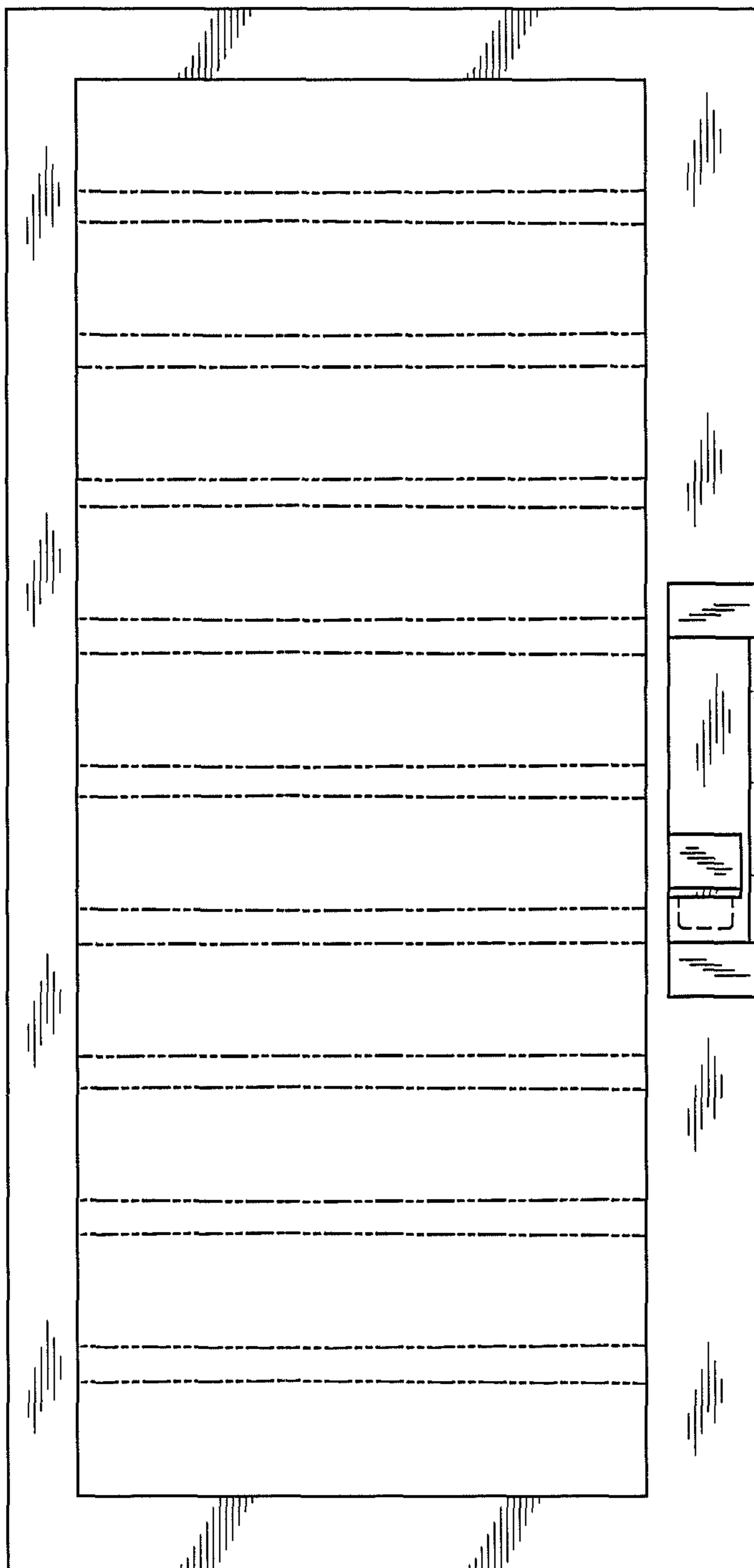


FIG. 12

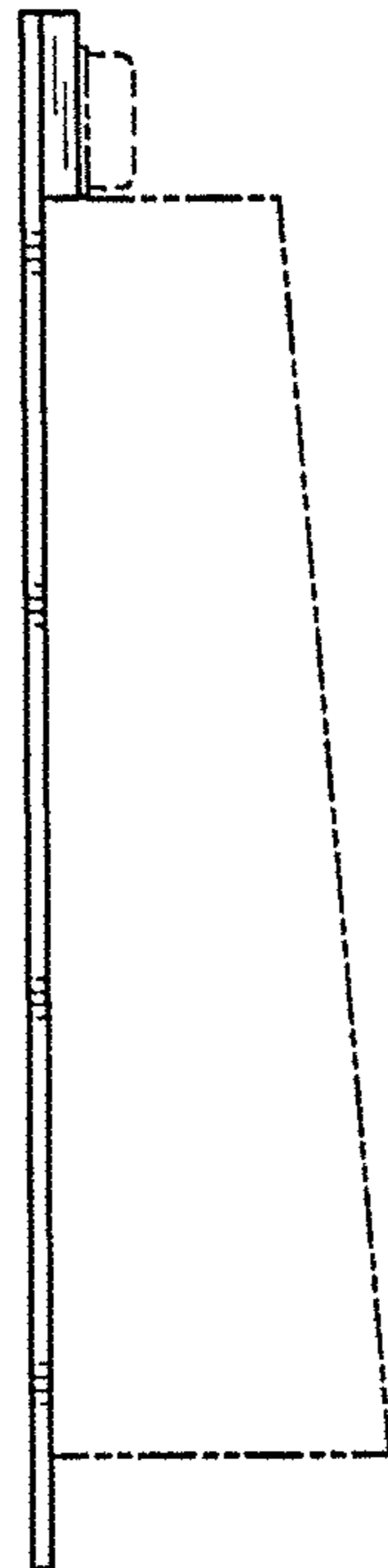


FIG. 13

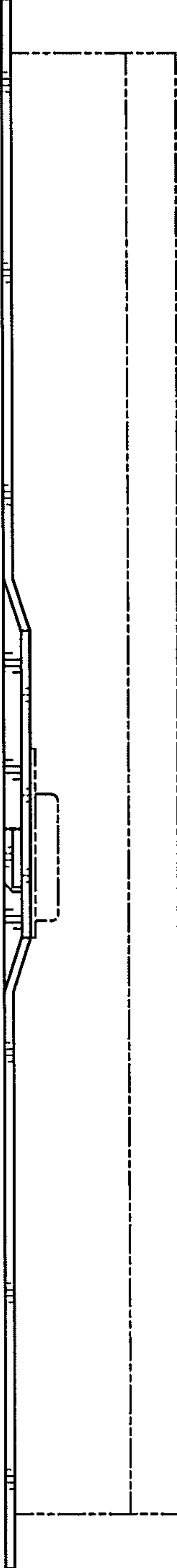


FIG. 14

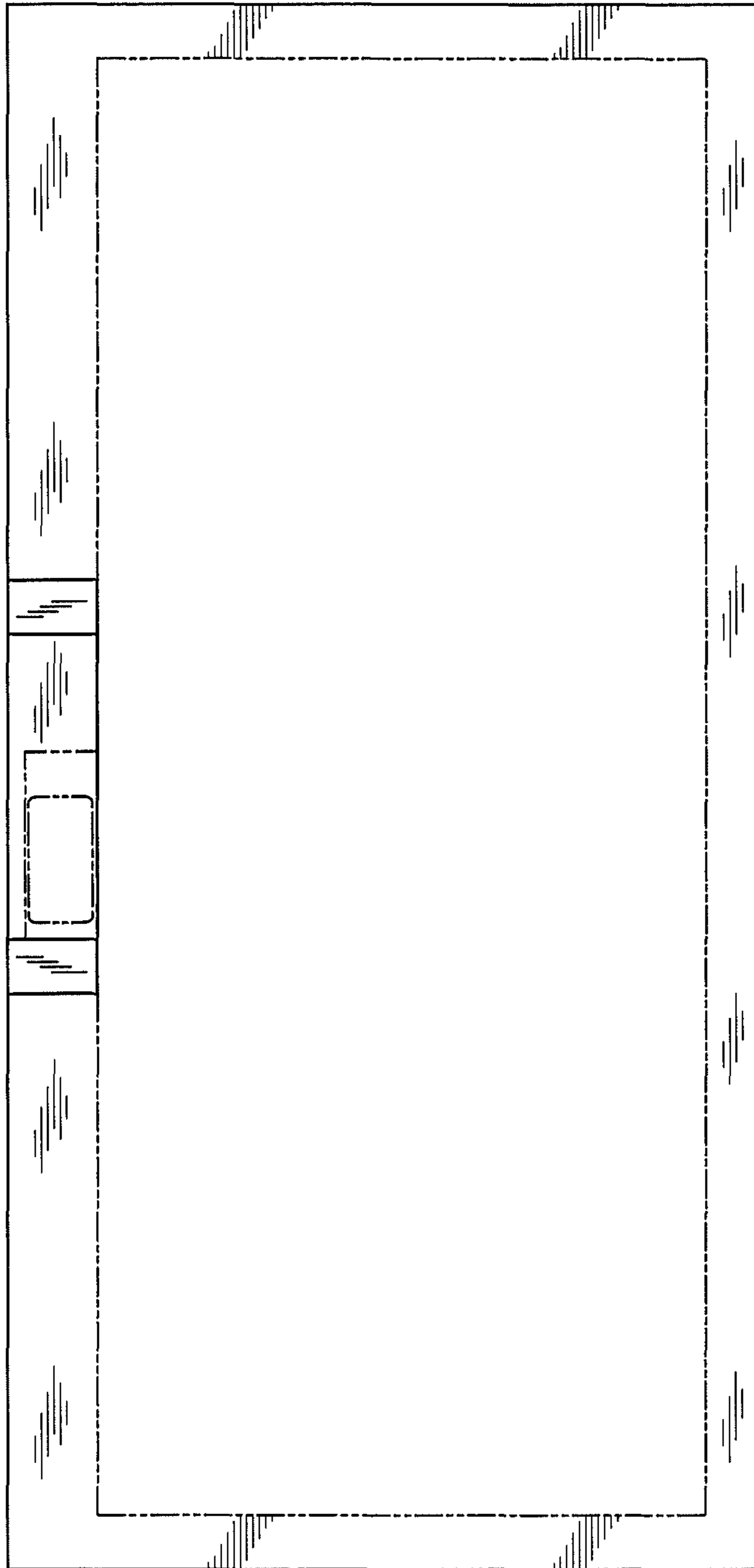


FIG. 15

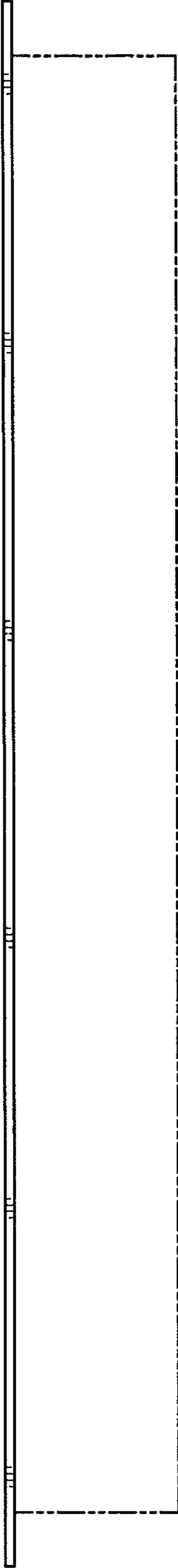


FIG. 16

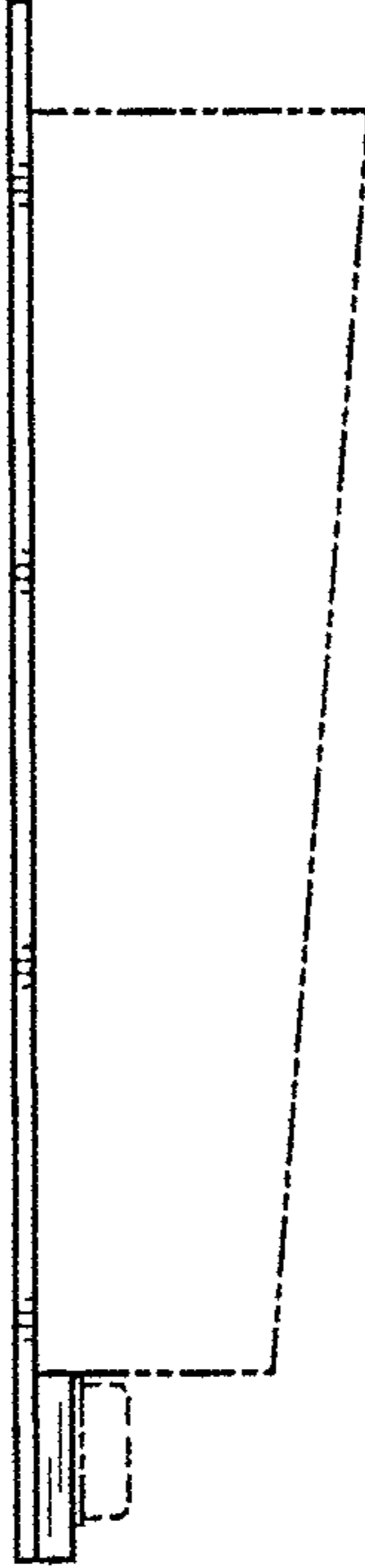


FIG. 17

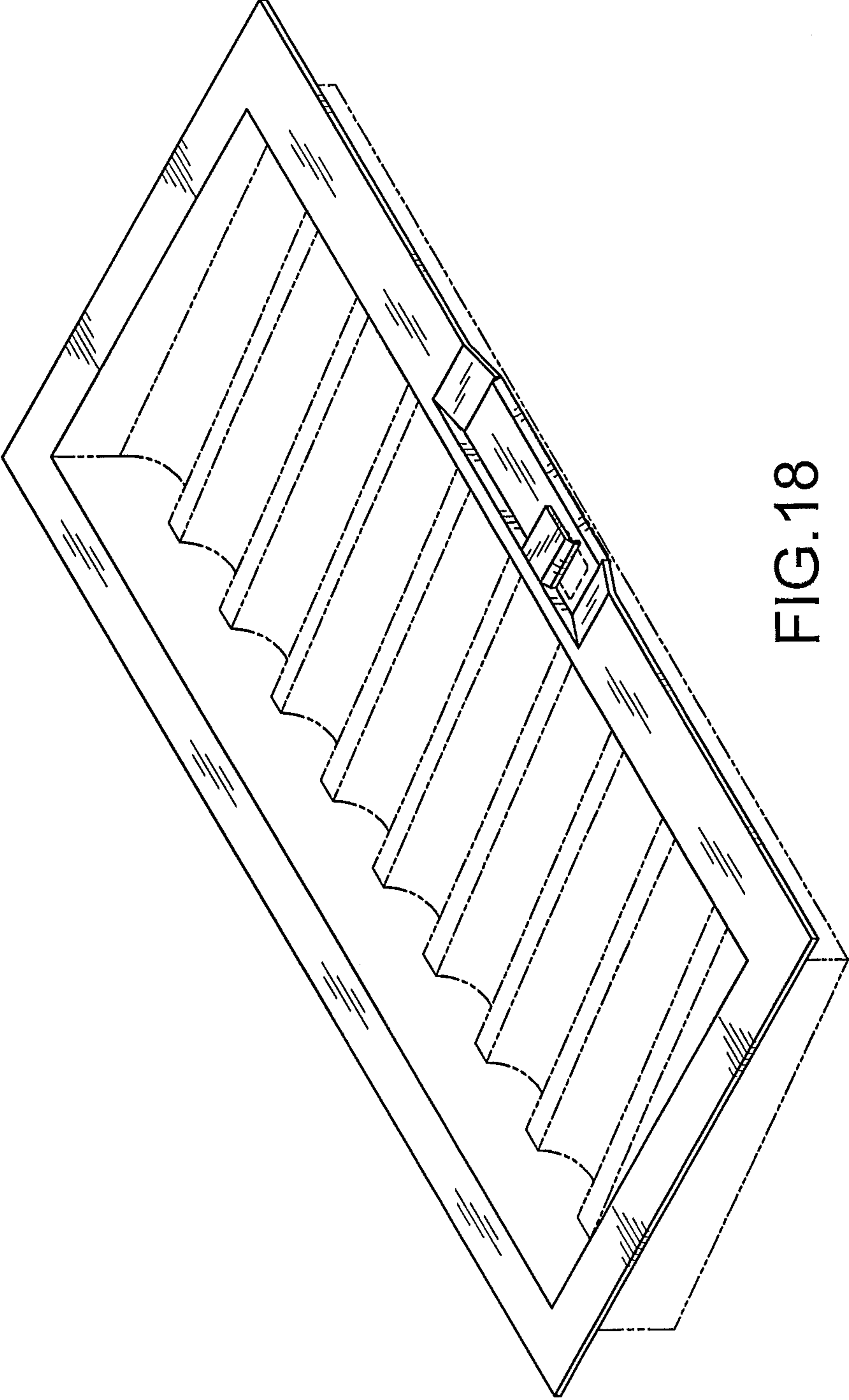


FIG.18

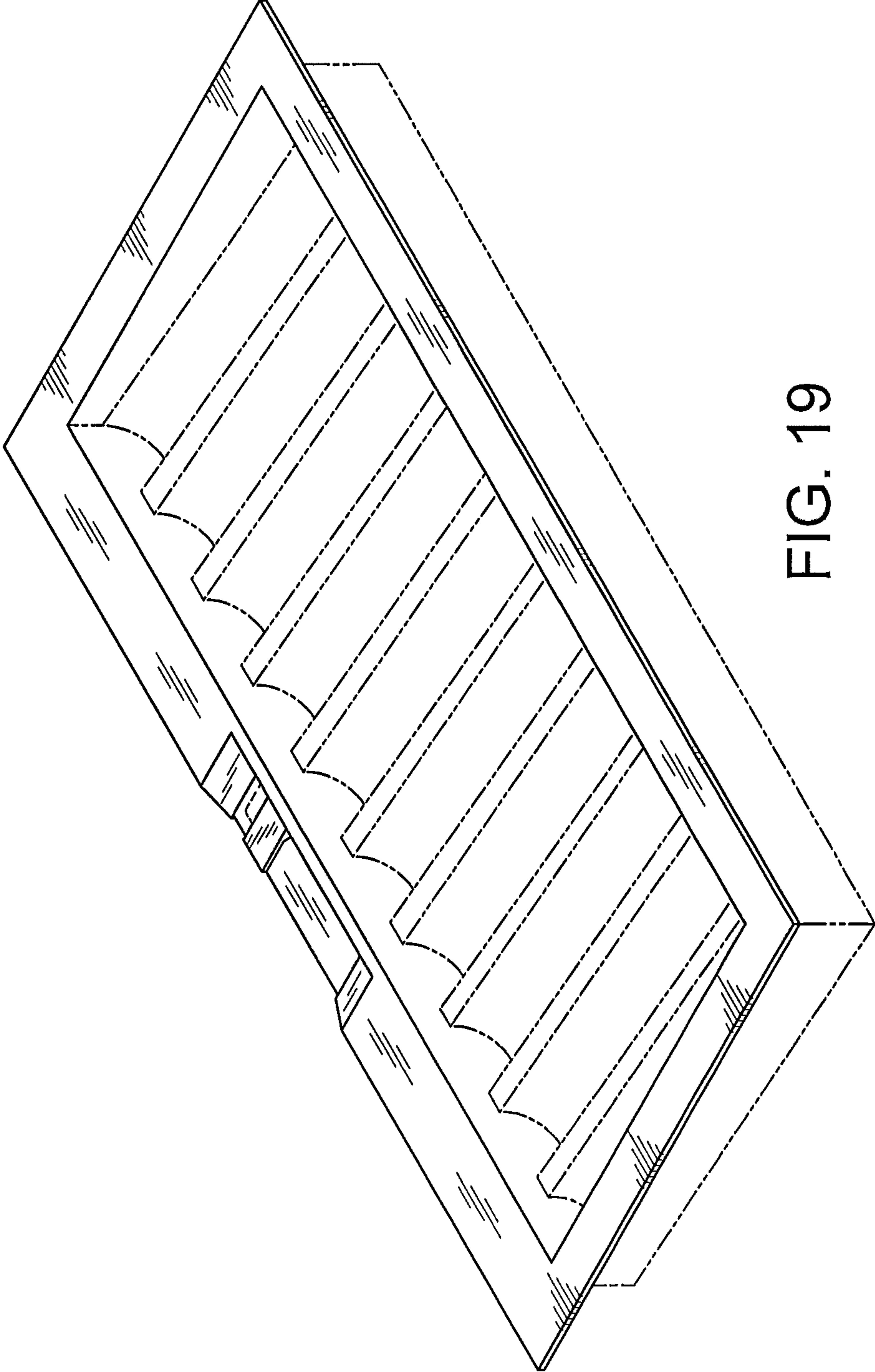


FIG. 19

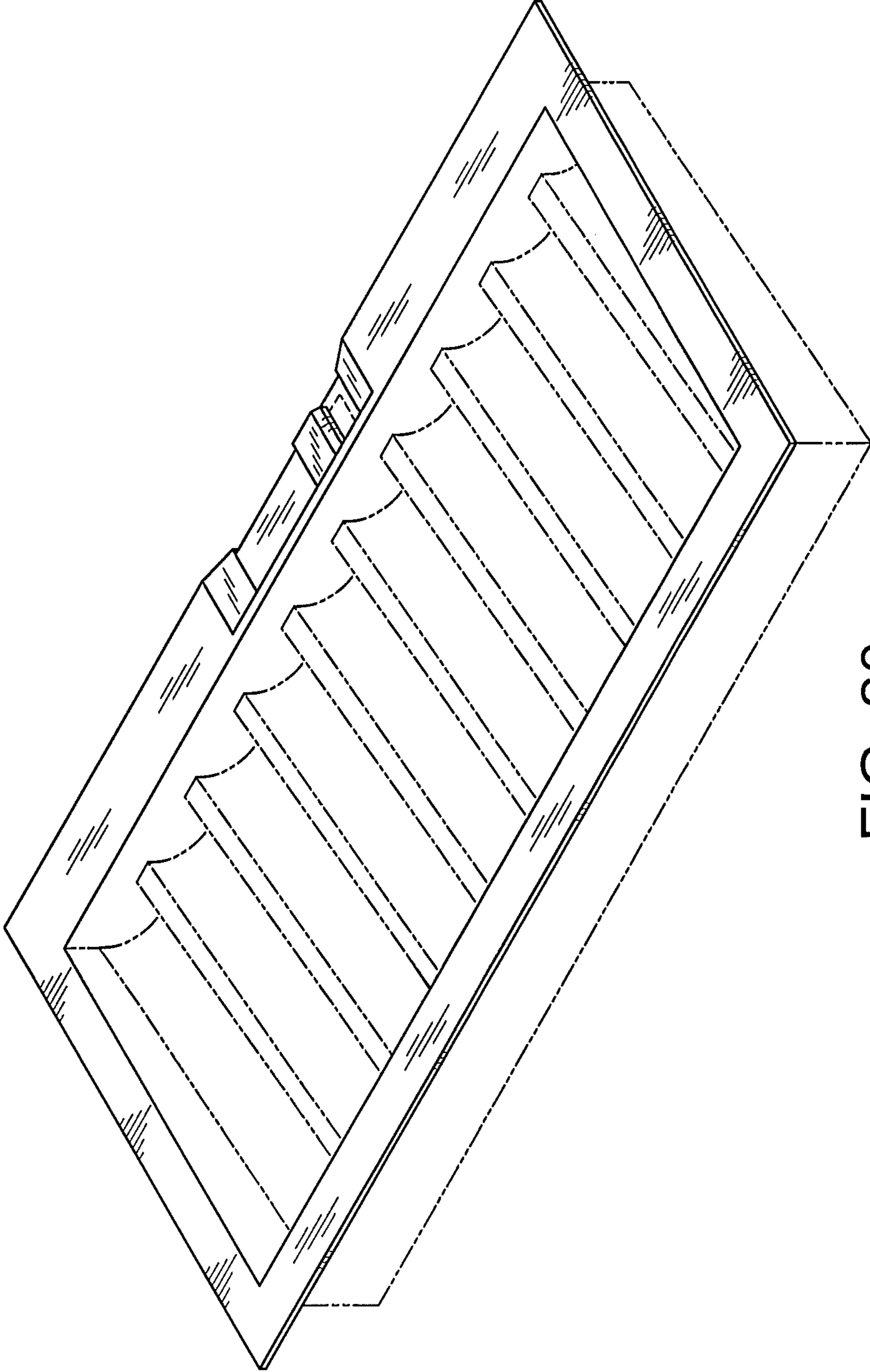


FIG. 20

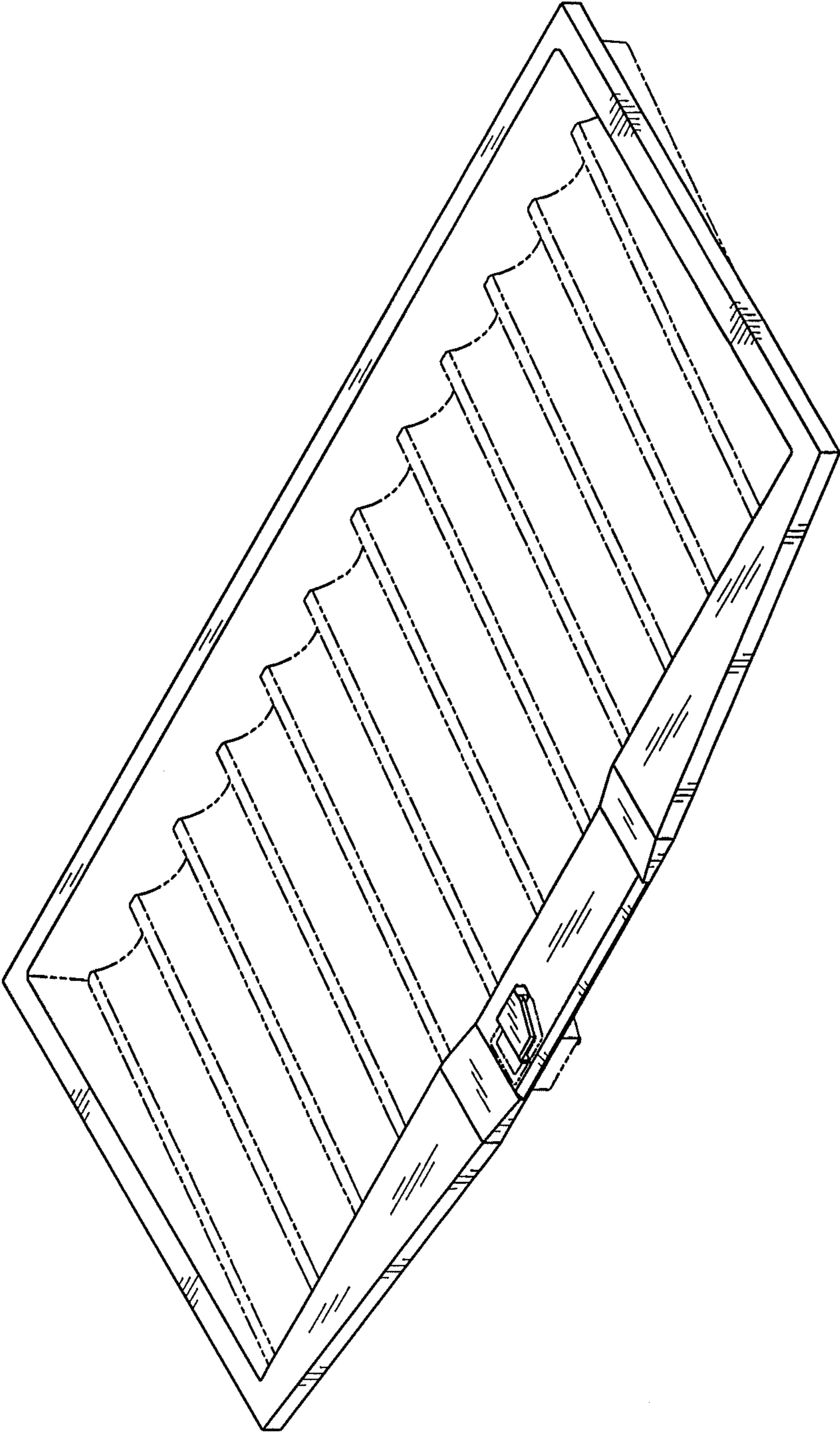


FIG. 21

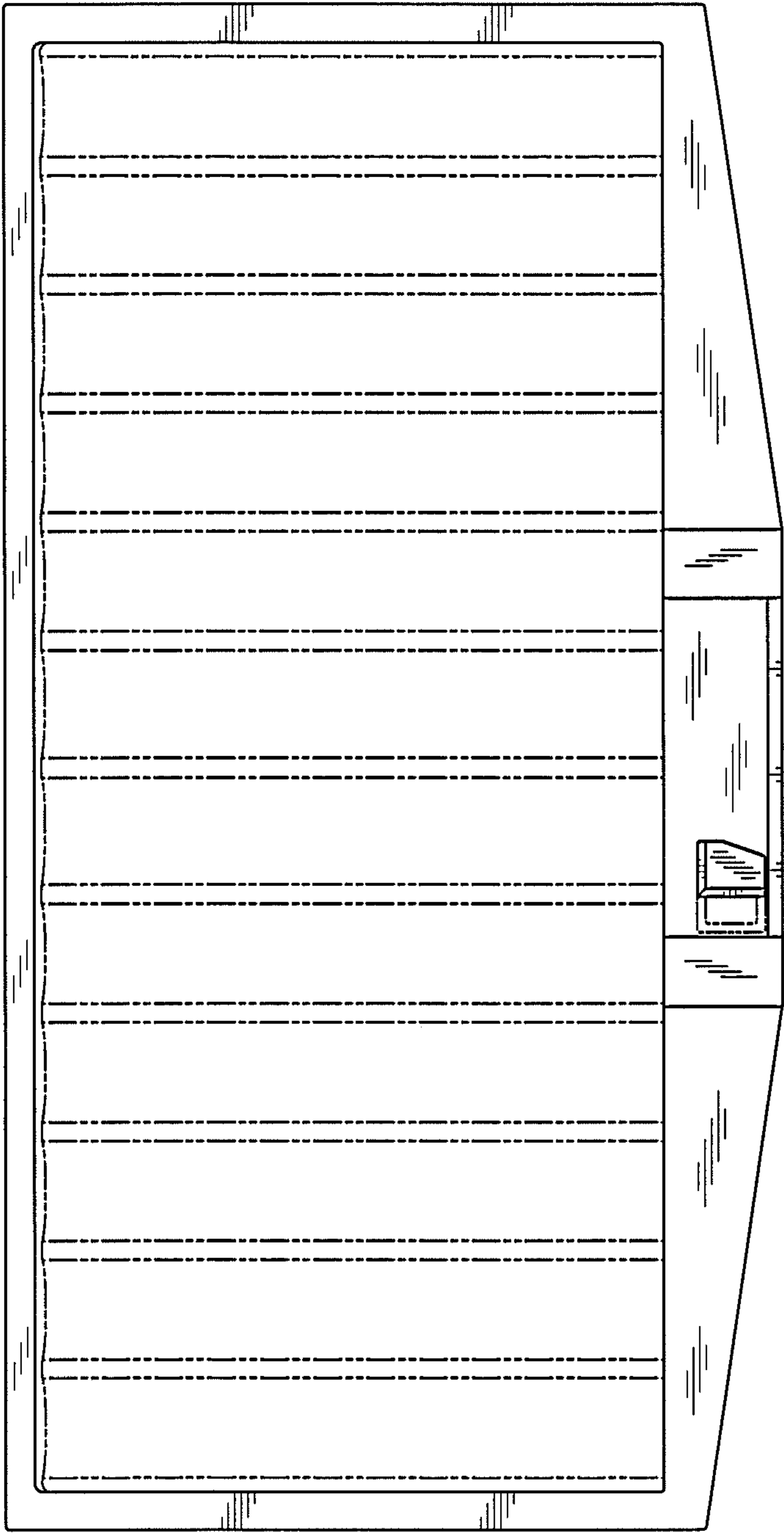


FIG. 22

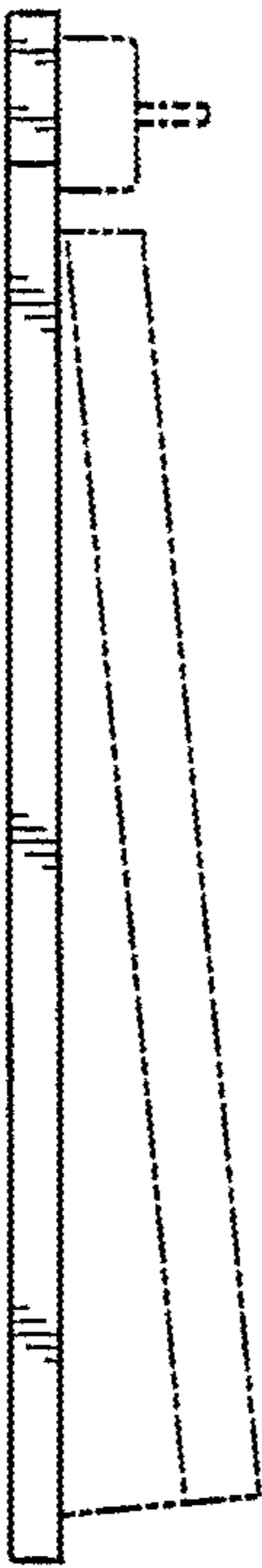


FIG. 23

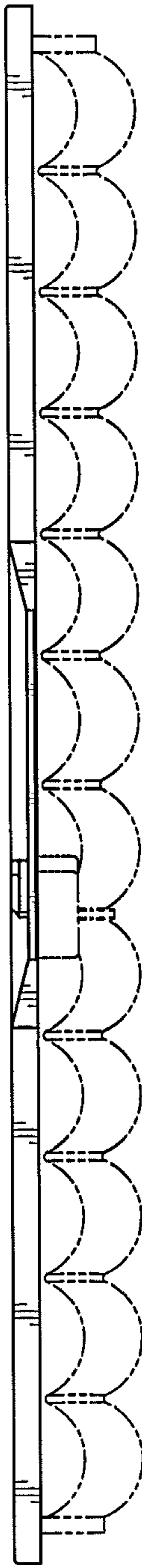


FIG. 24

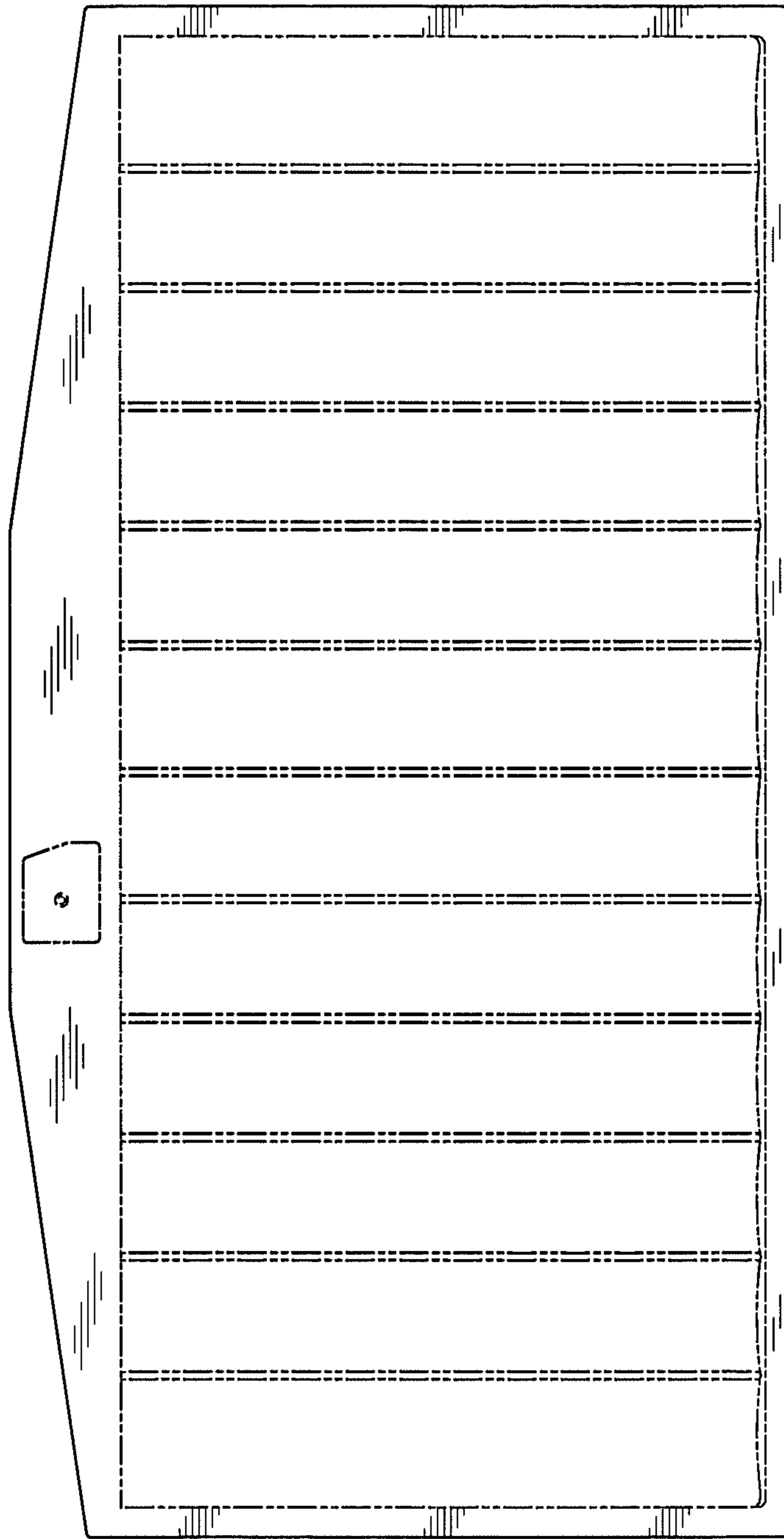


FIG. 25

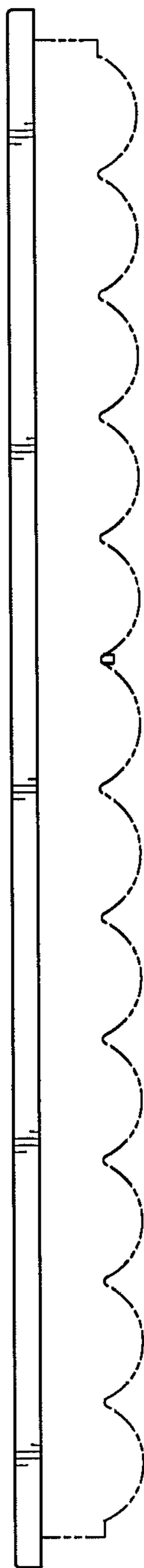


FIG. 26

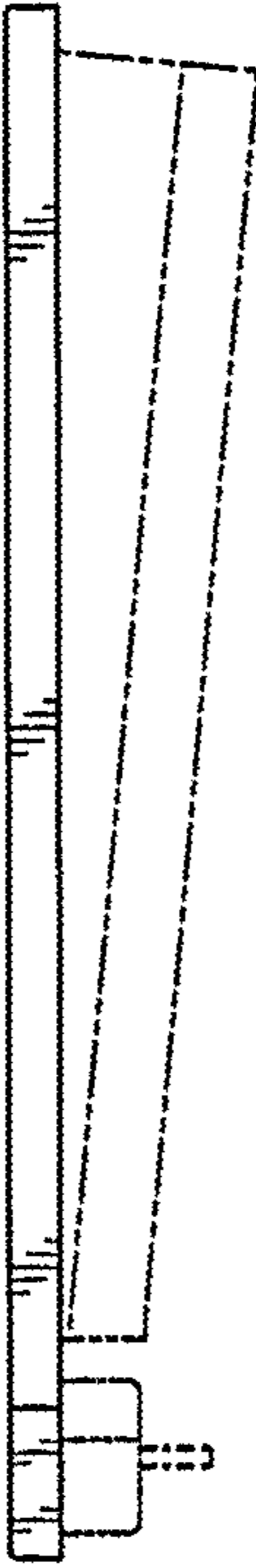


FIG. 27

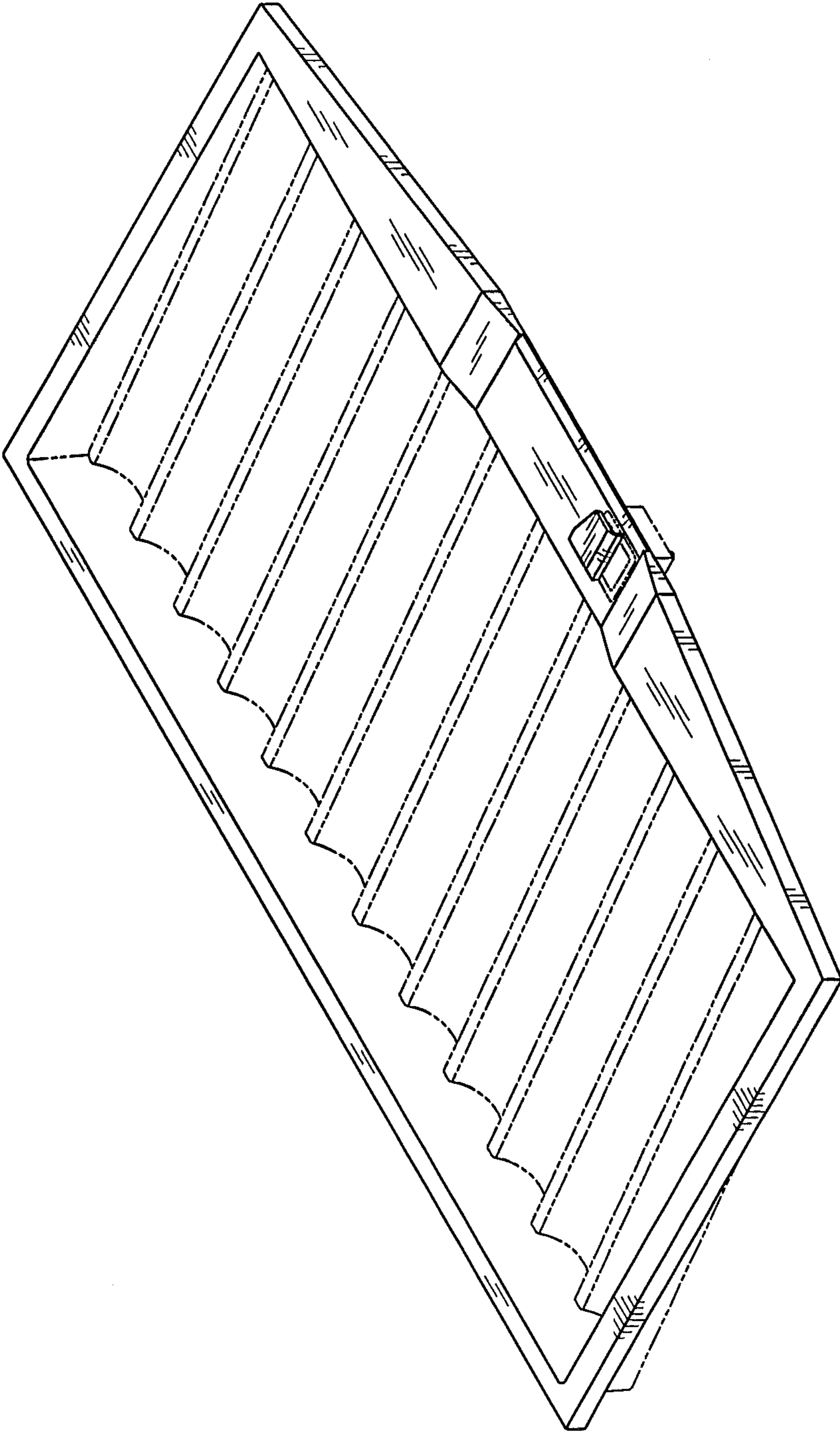


FIG. 28

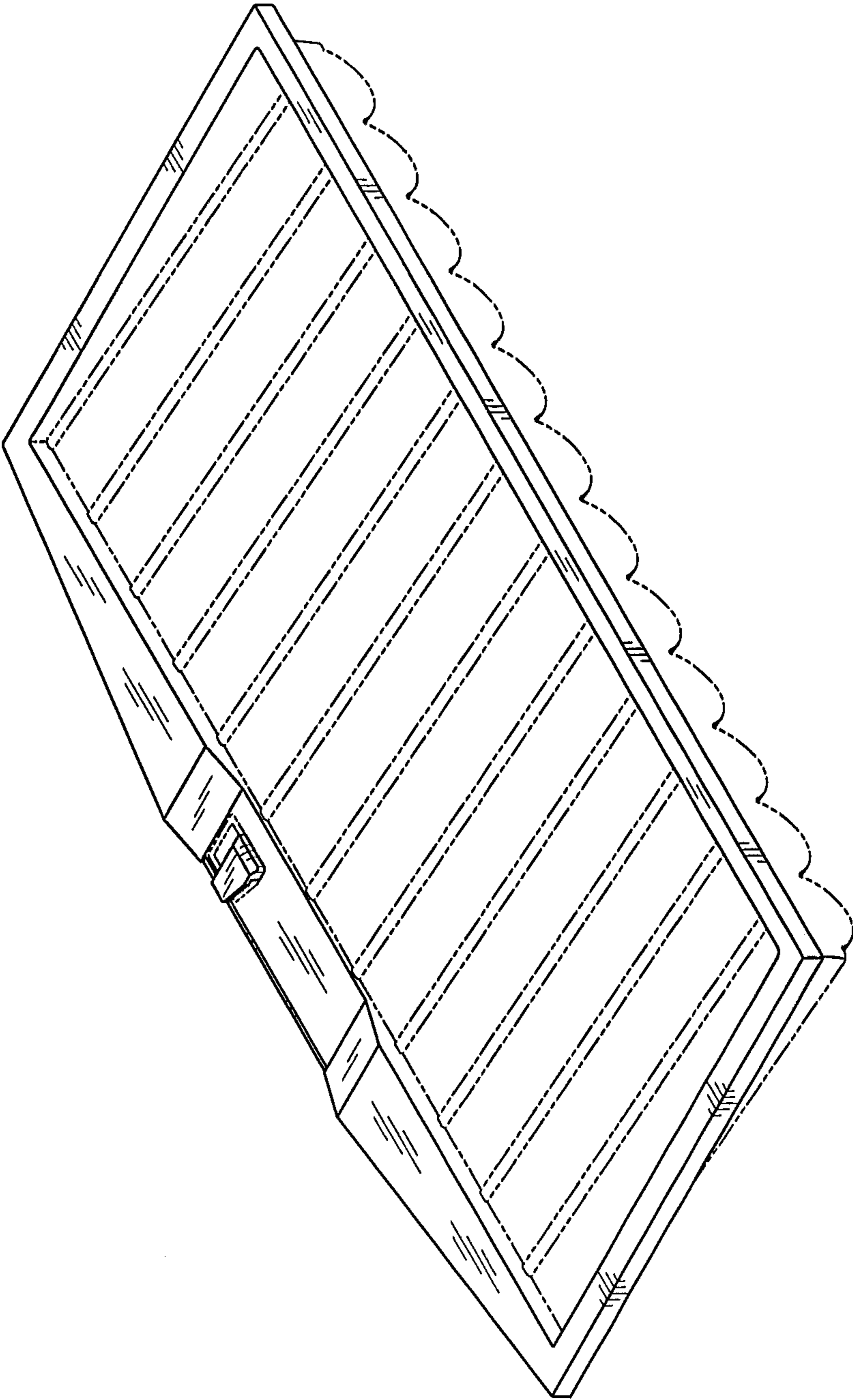


FIG. 29

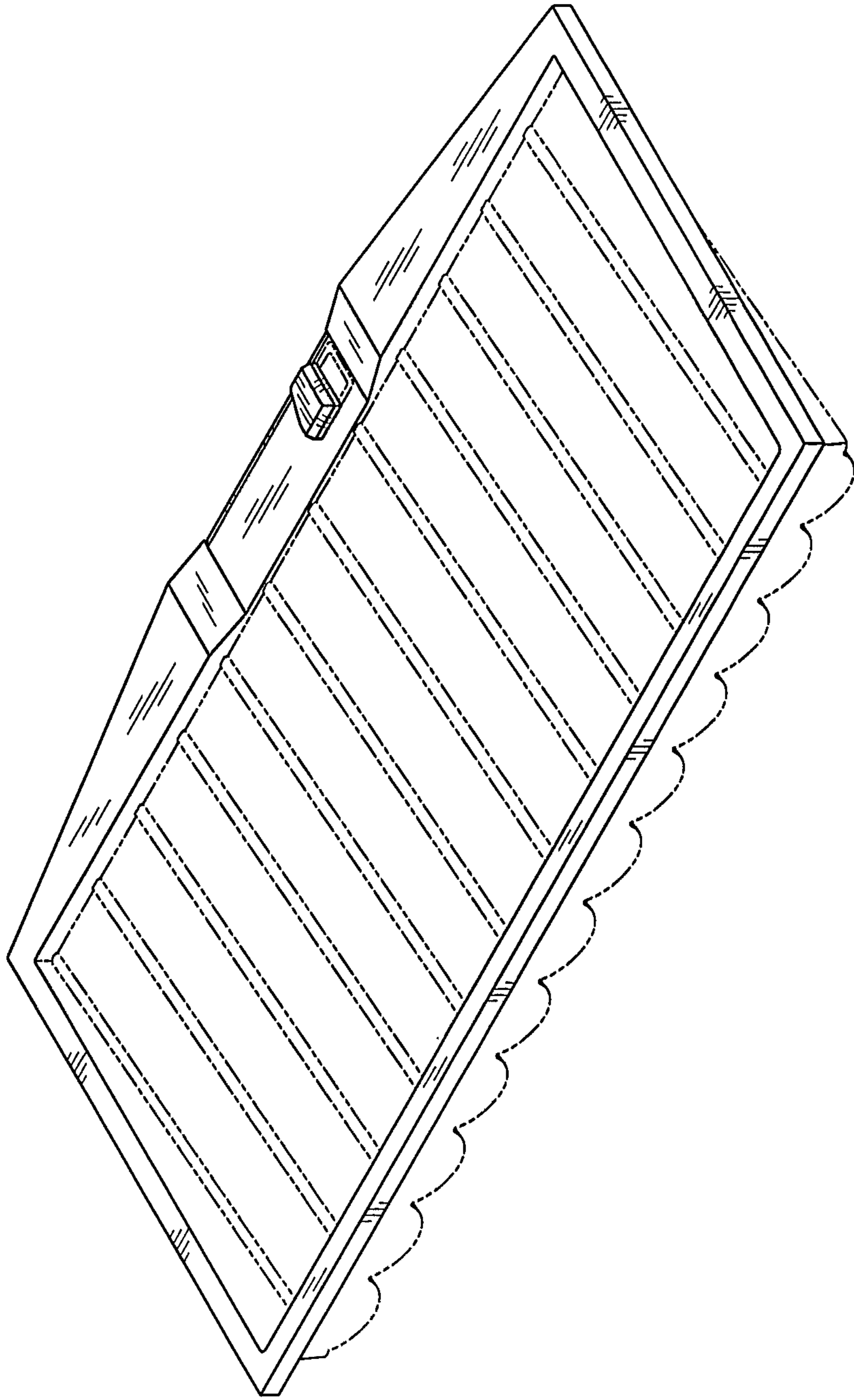


FIG. 30

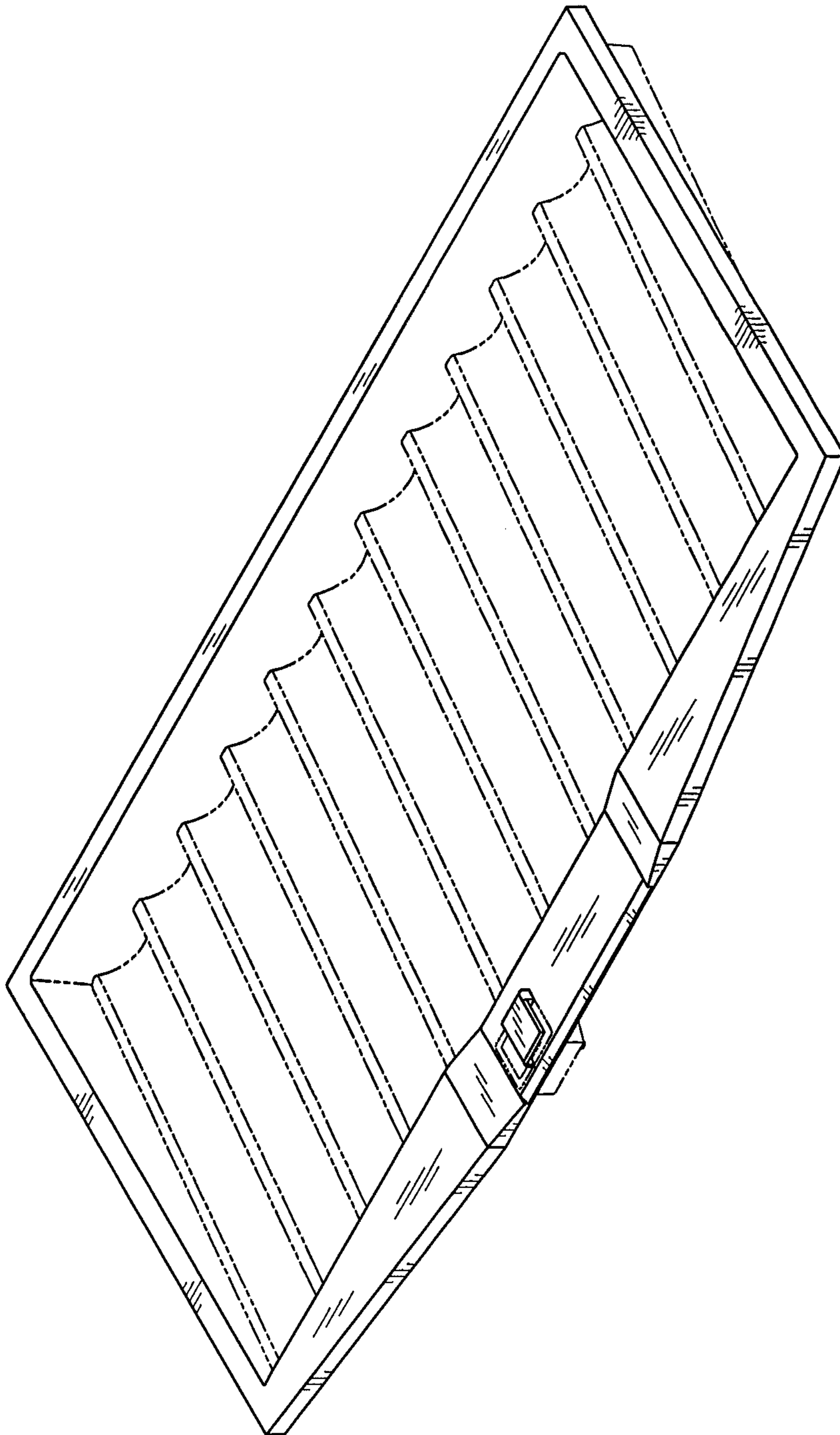


FIG. 31

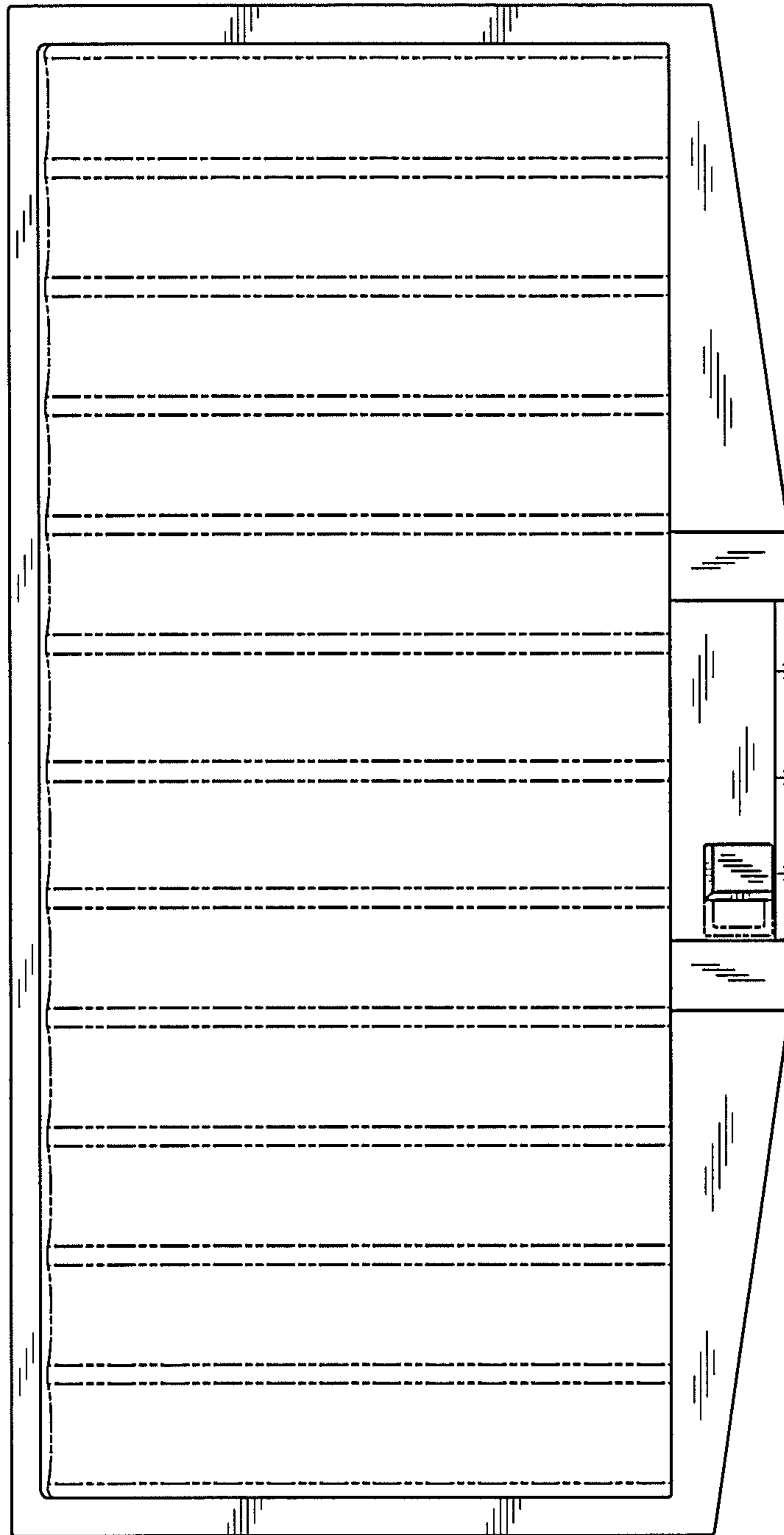


FIG. 32

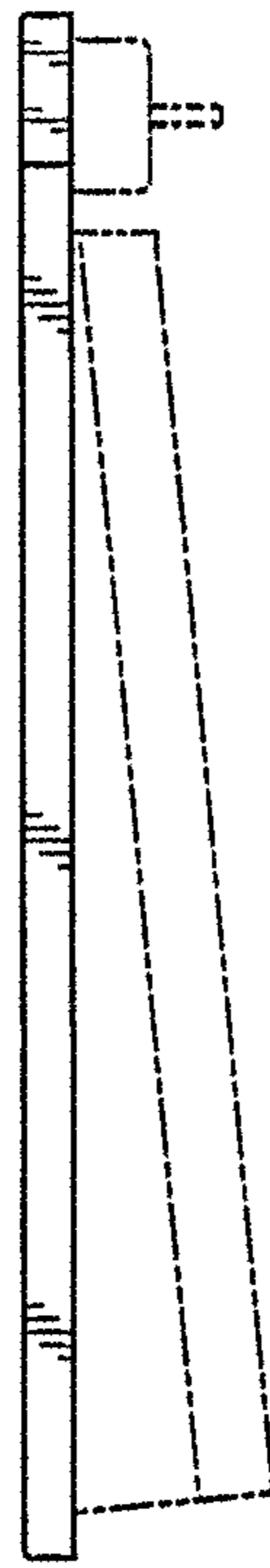


FIG. 33

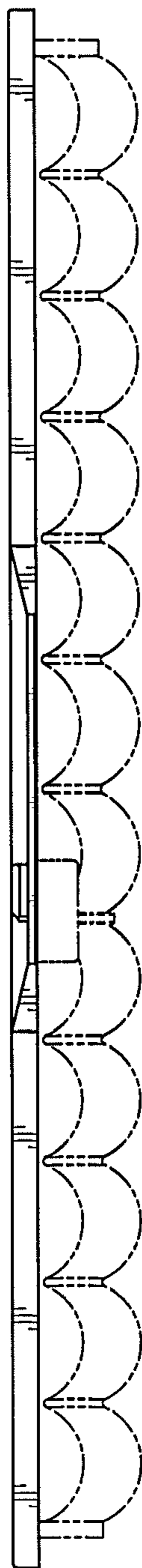


FIG. 34

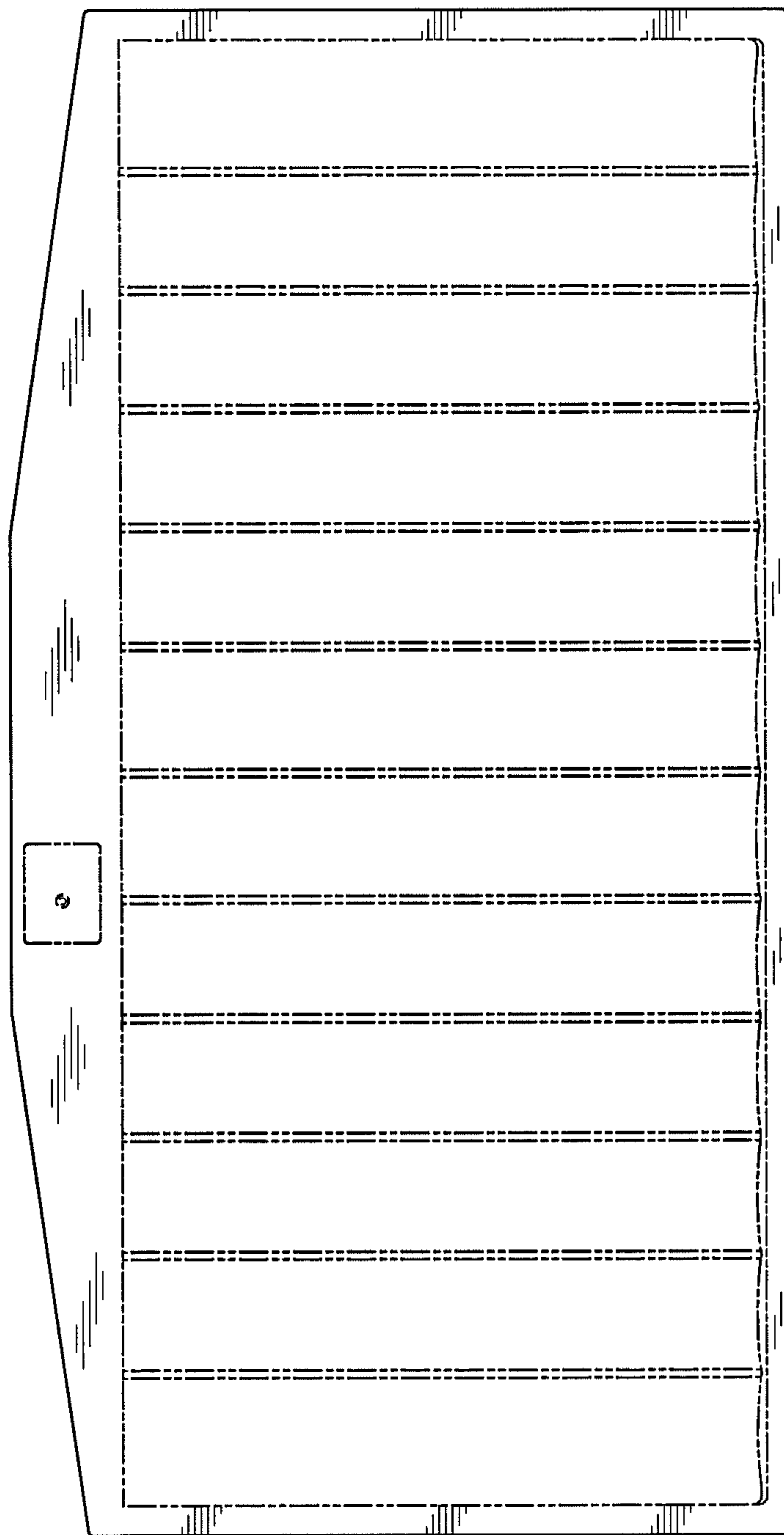


FIG. 35

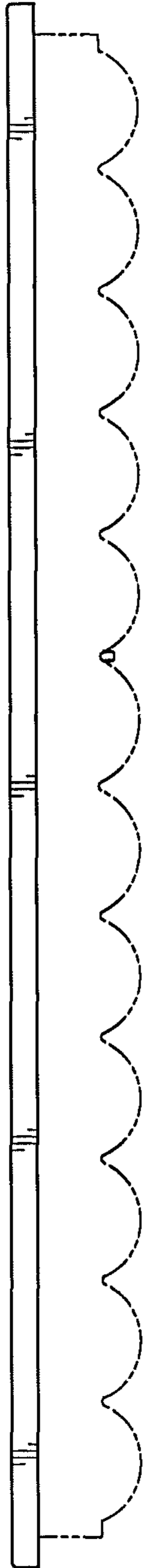


FIG. 36



FIG. 37

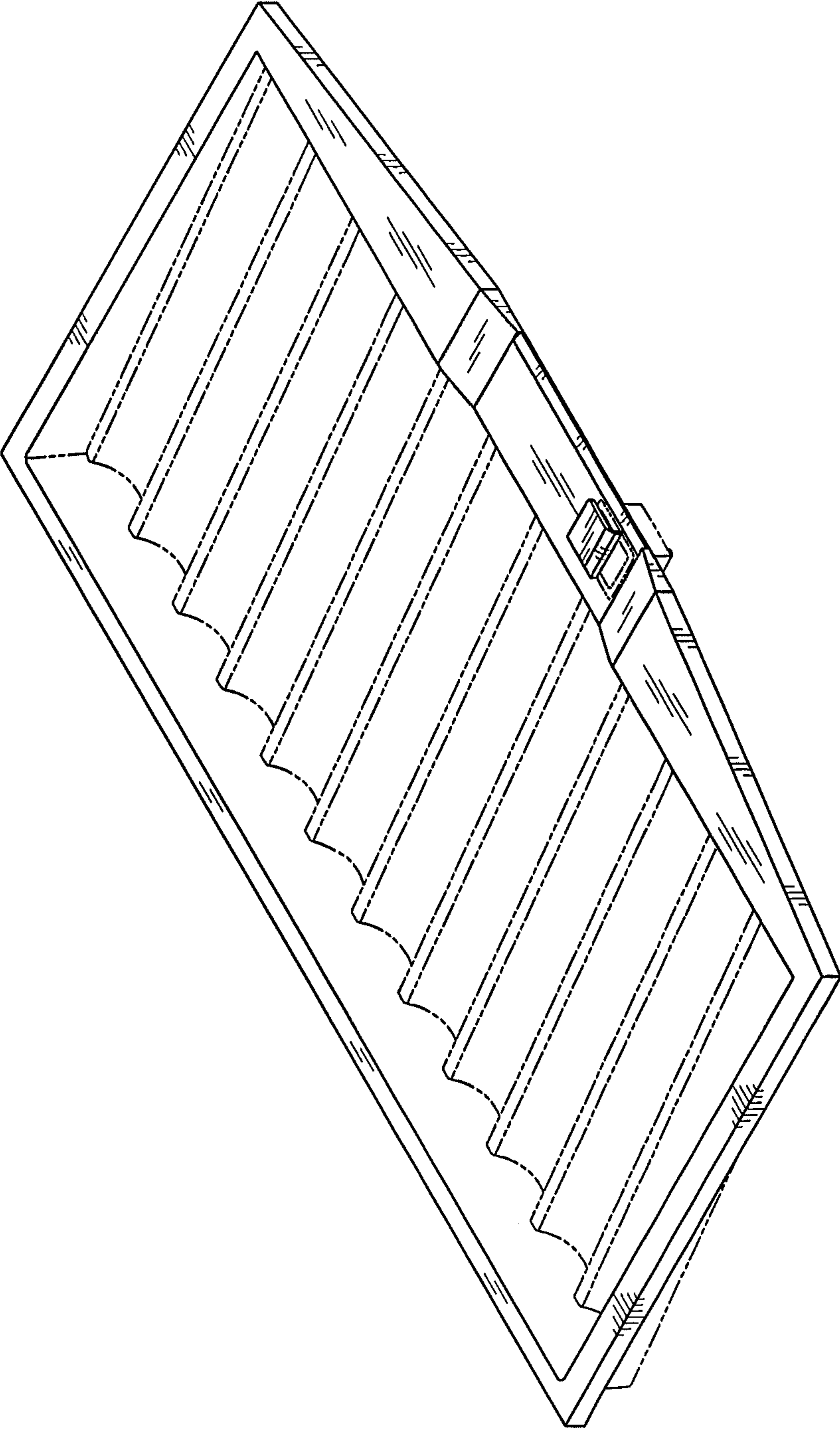


FIG. 38

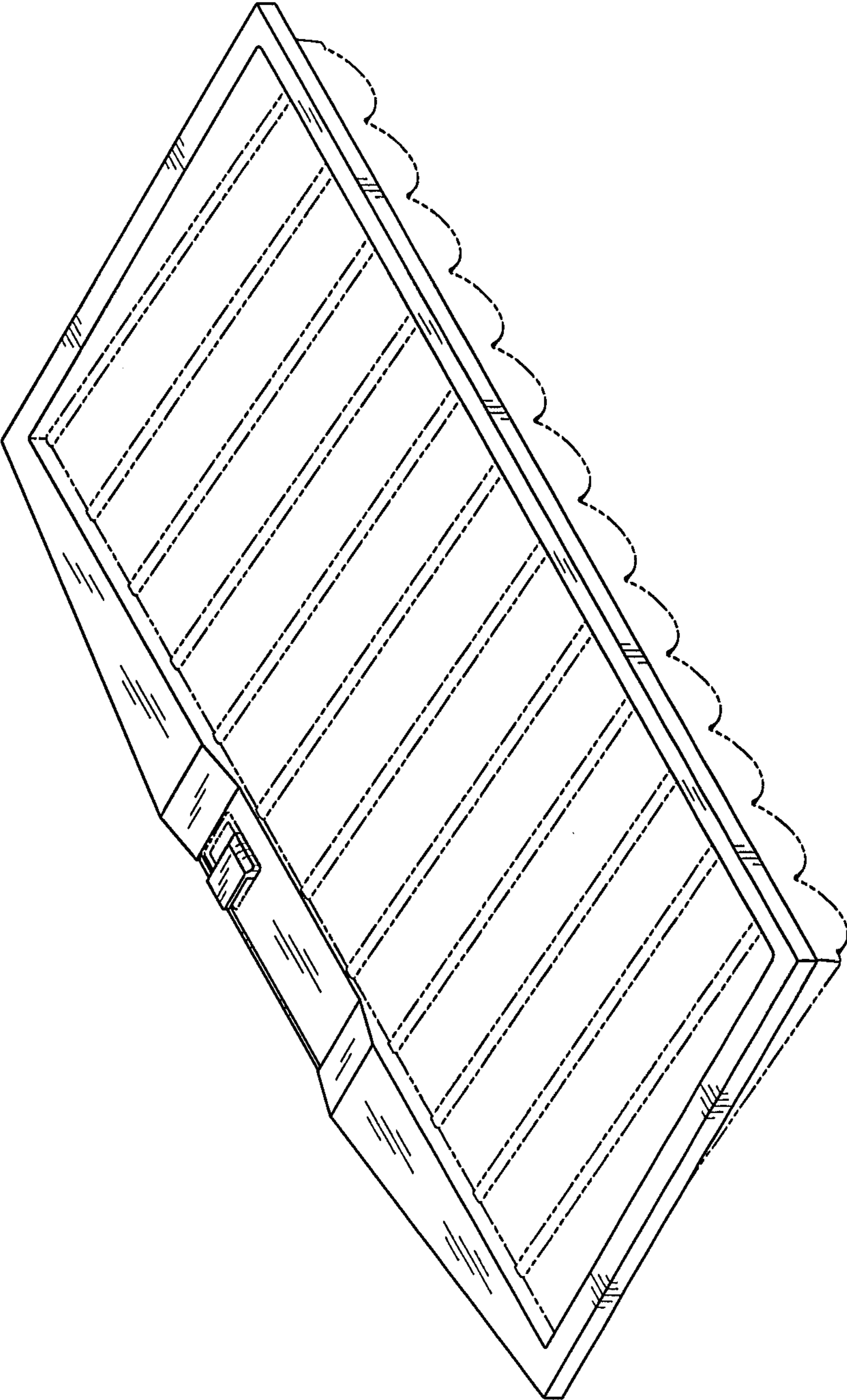


FIG. 39

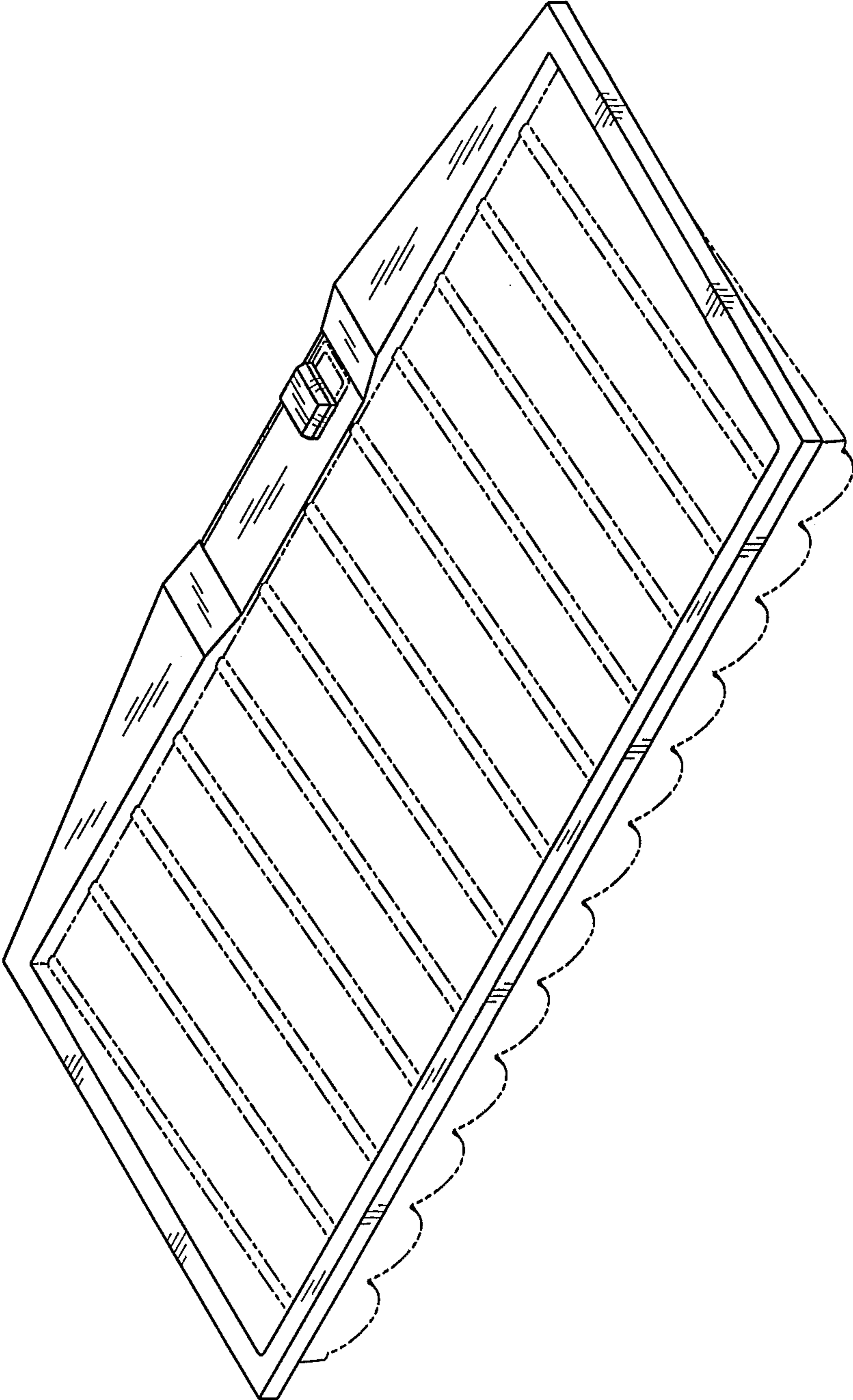


FIG. 40