



US00D692065S

(12) **United States Design Patent**
Williams

(10) **Patent No.:** **US D692,065 S**

(45) **Date of Patent:** **** Oct. 22, 2013**

(54) **HEAD FOR A DART**

D563,492 S * 3/2008 Becker D21/707
7,874,947 B1 * 1/2011 Wolfinbarger et al. 473/578

(75) Inventor: **Kevin Williams**, Brooklyn, NY (US)

* cited by examiner

(73) Assignee: **Ogosport LLC**, Brooklyn, NY (US)

Primary Examiner — George D Kirschbaum

(**) Term: **14 Years**

(74) *Attorney, Agent, or Firm* — Kane Kessler, PC; Barry E. Negrin; Paul E. Szabo

(21) Appl. No.: **29/413,121**

(57) **CLAIM**

The ornamental design for a head for a dart, as shown.

(22) Filed: **Feb. 10, 2012**

DESCRIPTION

(51) **LOC (9) Cl.** **21-01**

(52) **U.S. Cl.**

USPC **D21/387**

(58) **Field of Classification Search**

USPC D21/387, 437, 707, 711; 473/572, 578;
237/348.2

See application file for complete search history.

FIG. 1 is a perspective view of a head for a dart, showing my new design, illustrated in a condition assembled on a wing portion of a dart;

FIG. 2 is a top plan view of the dart of FIG. 1;

FIG. 3 is a left side elevational view of the dart of FIG. 1;

FIG. 4 is a bottom plan view of the dart of FIG. 1;

FIG. 5 is a right side elevational view of the dart of FIG. 1;

FIG. 6 is a front elevational view of the dart of FIG. 1; and,

FIG. 7 is a rear elevational view of the dart of FIG. 1.

The portions of the drawings that are shown in dashed lines are environment and are not part of the claimed design.

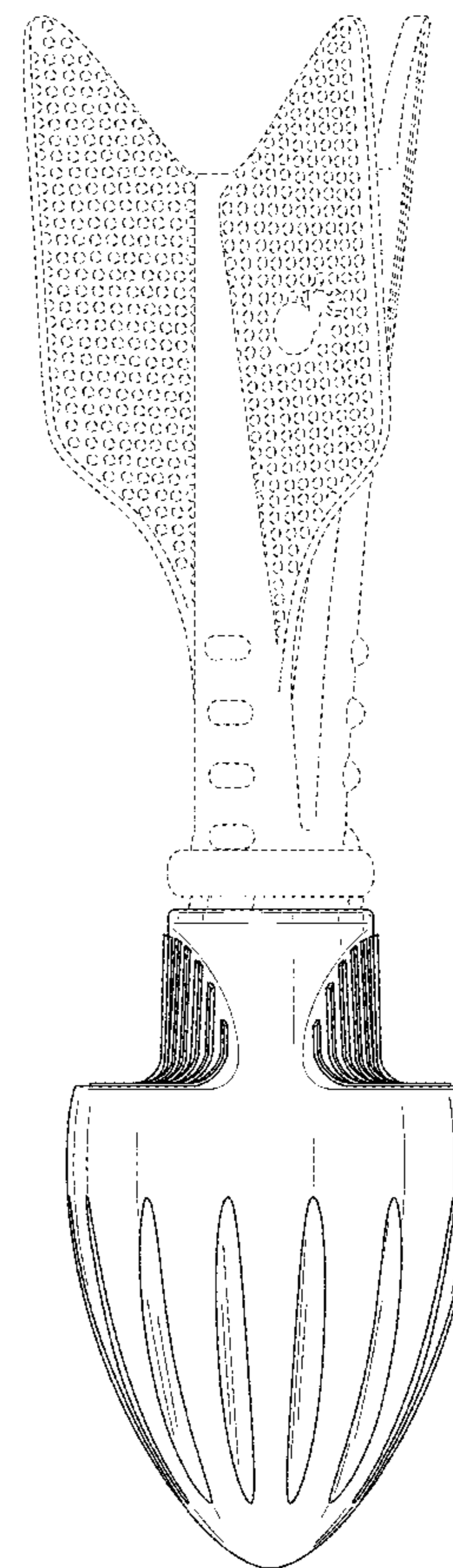
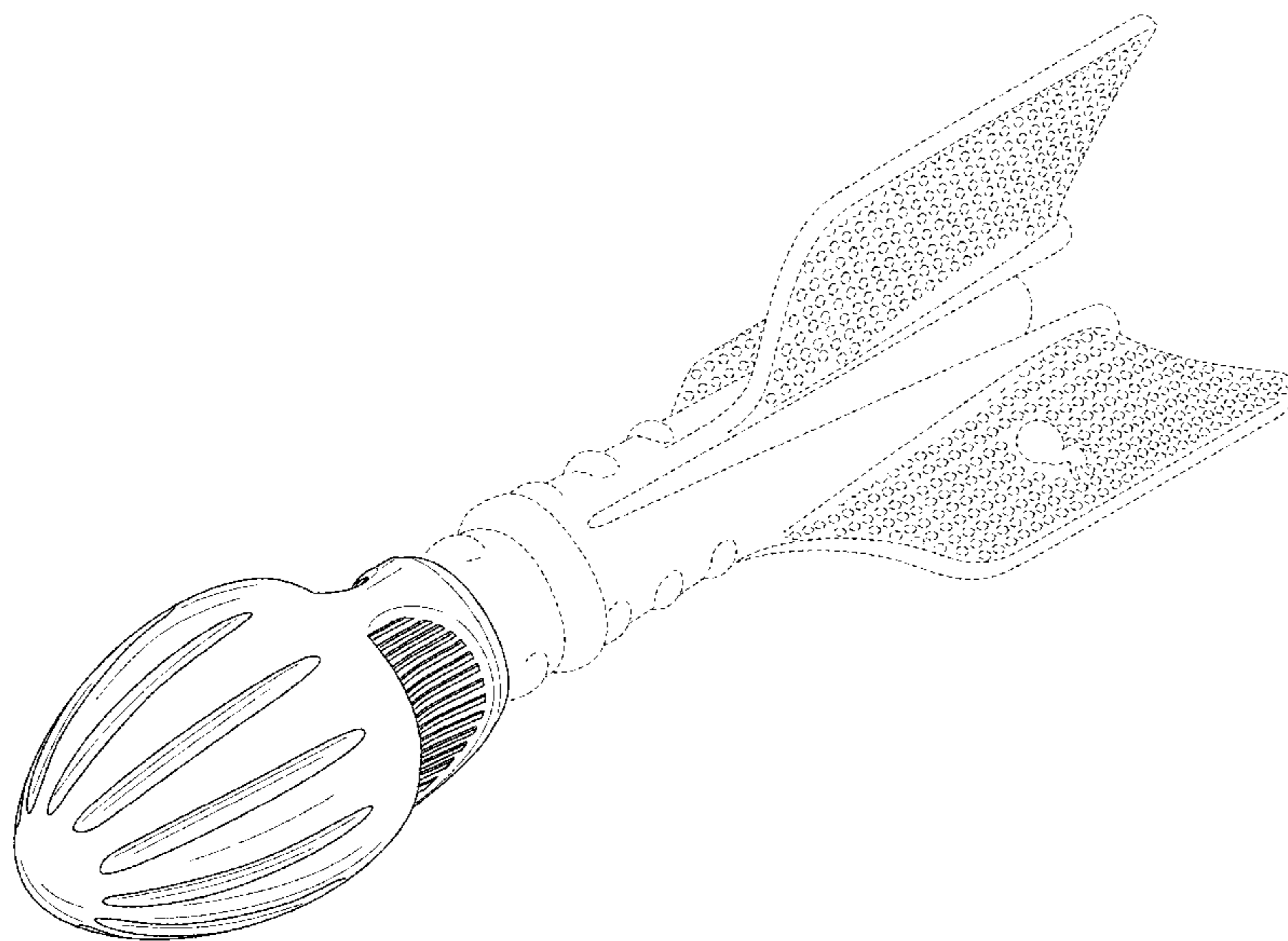
(56) **References Cited**

U.S. PATENT DOCUMENTS

6,010,419 A * 1/2000 Rappaport et al. 473/613

6,042,494 A * 3/2000 Rappaport et al. 473/613

1 Claim, 6 Drawing Sheets



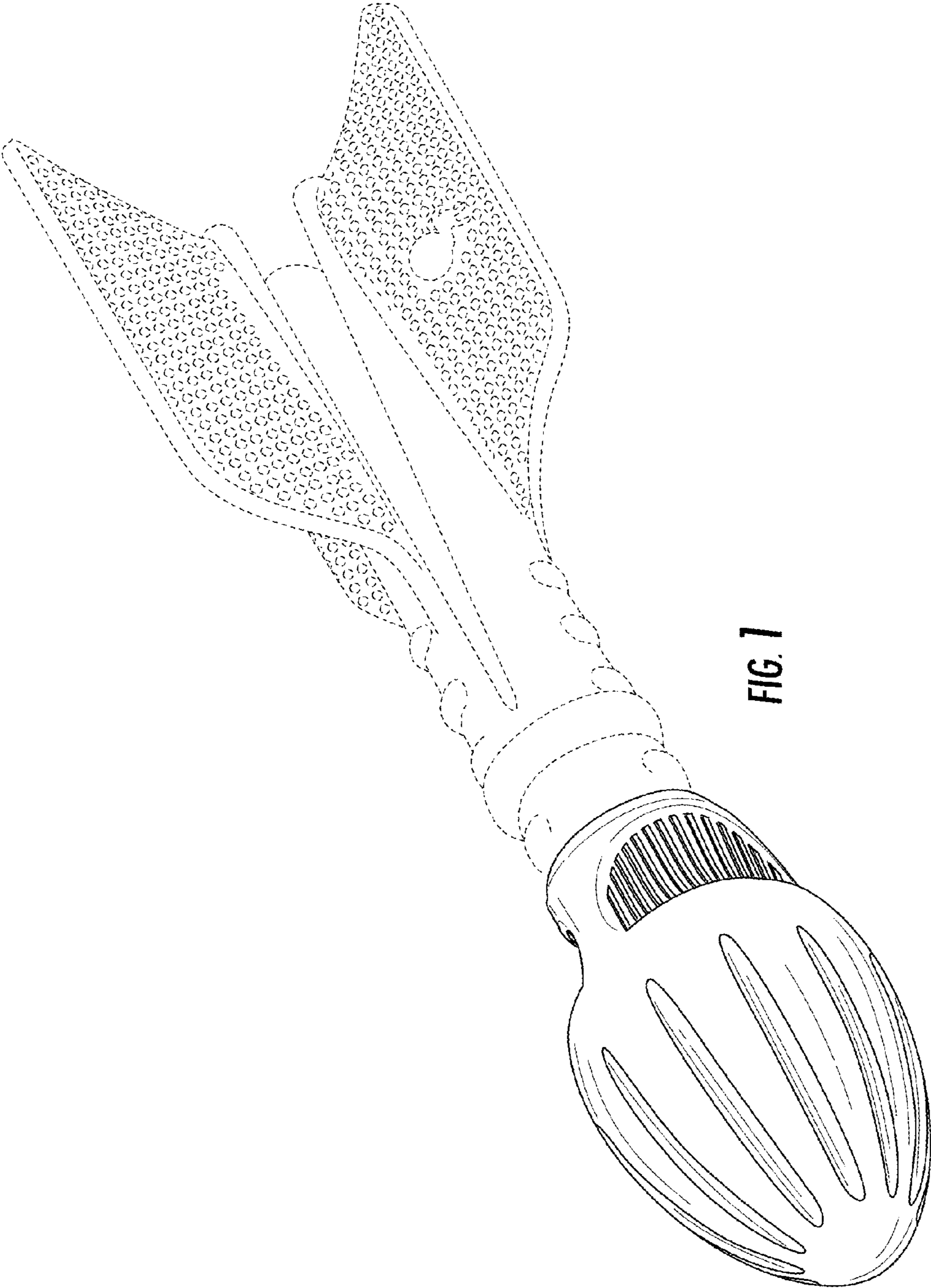


FIG. 1

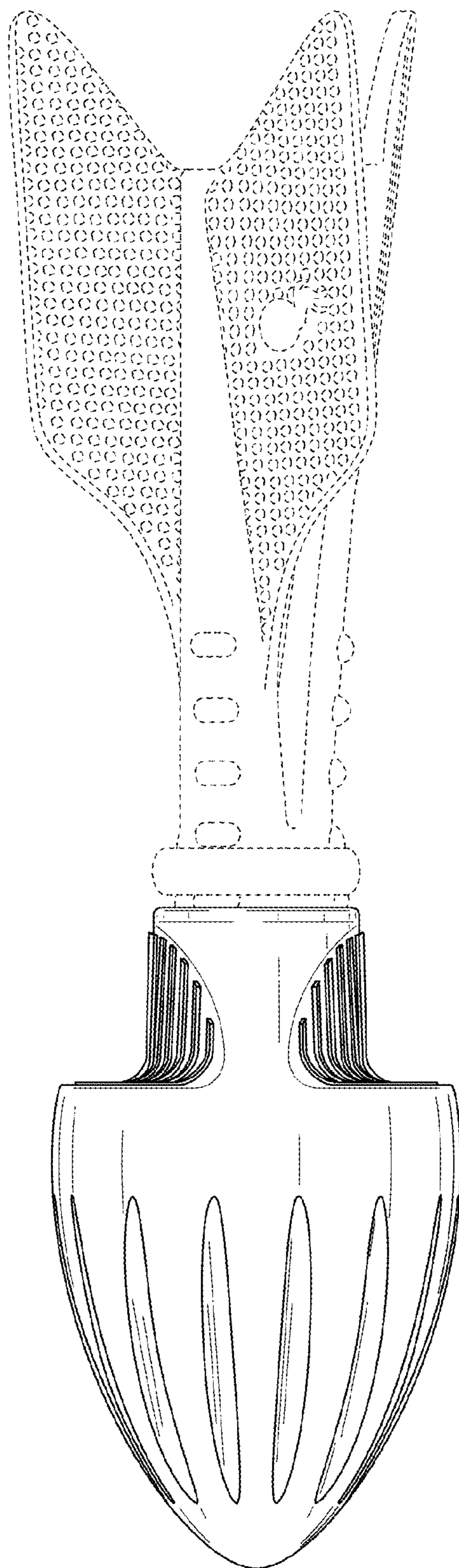


FIG. 2

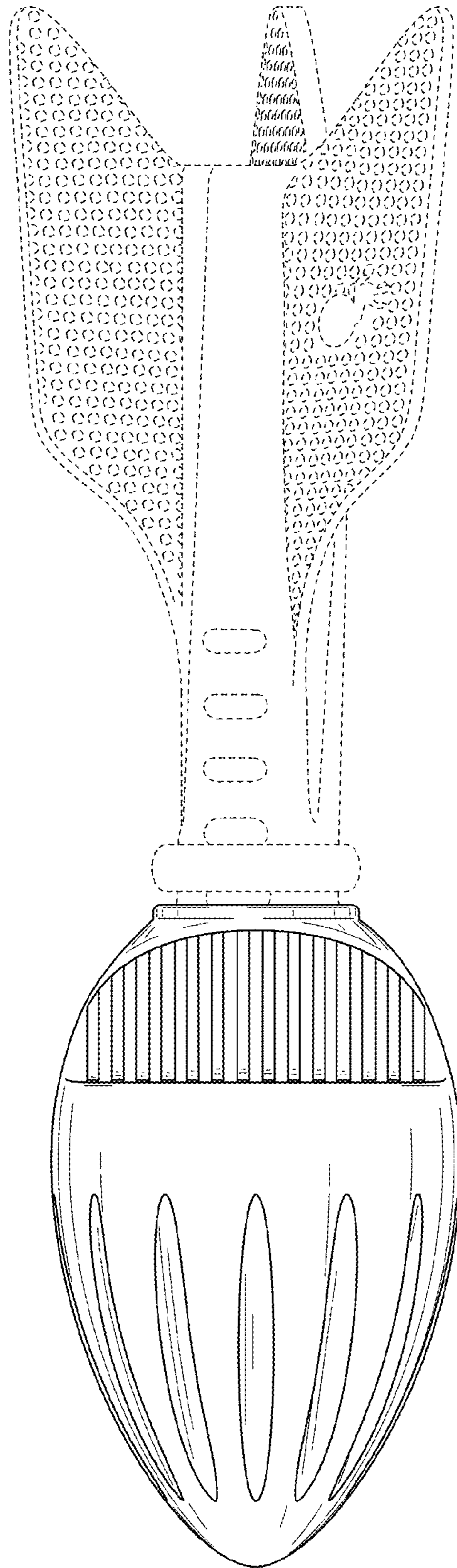


FIG. 3

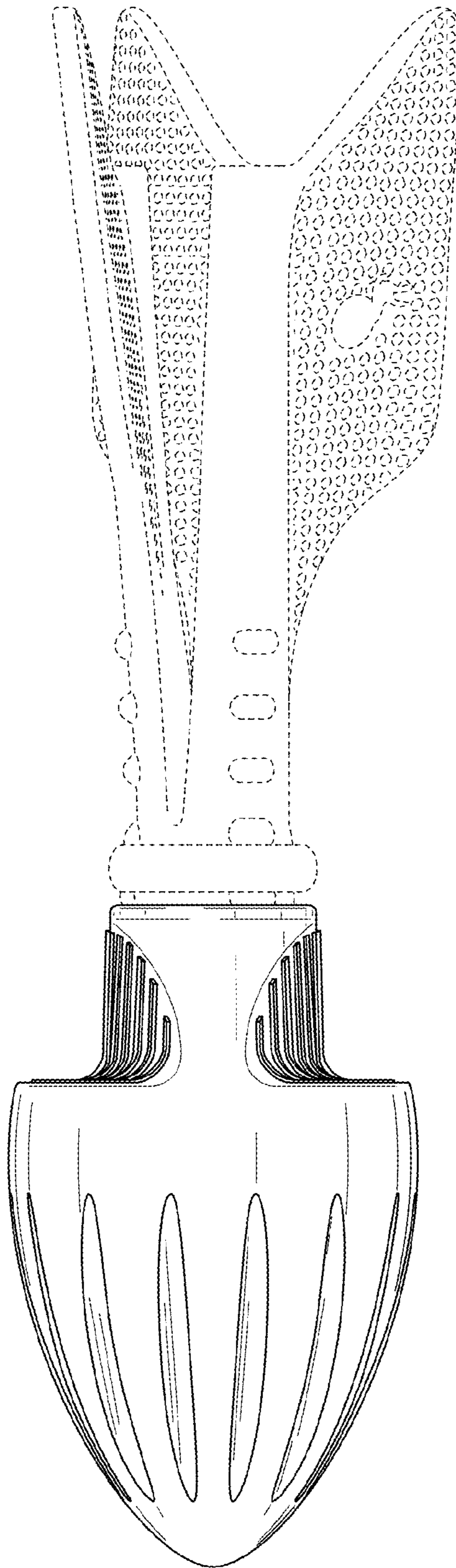


FIG. 4

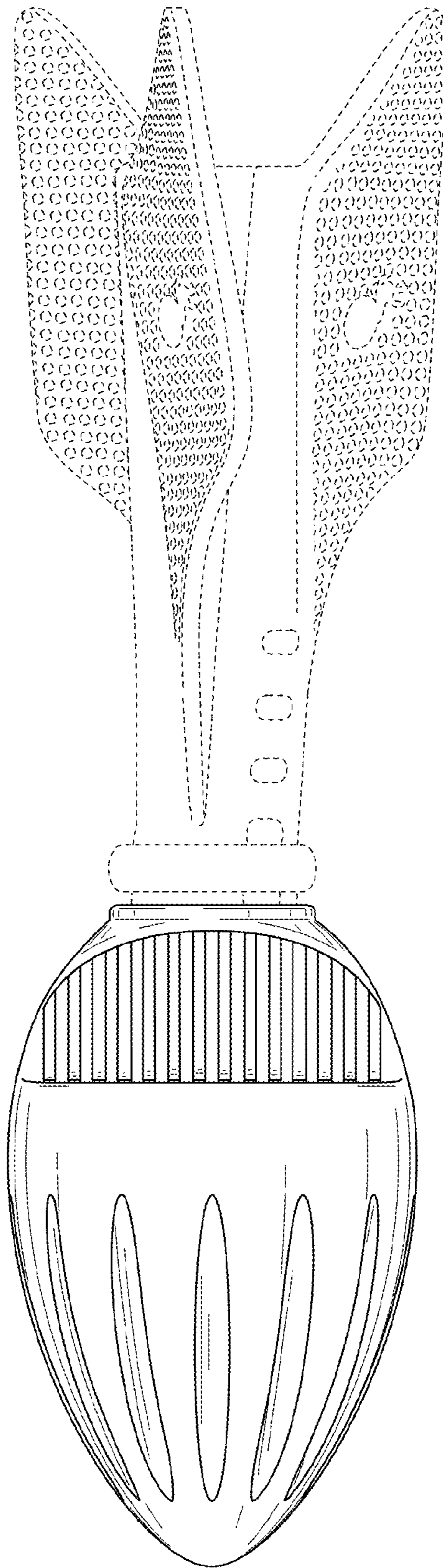


FIG. 5

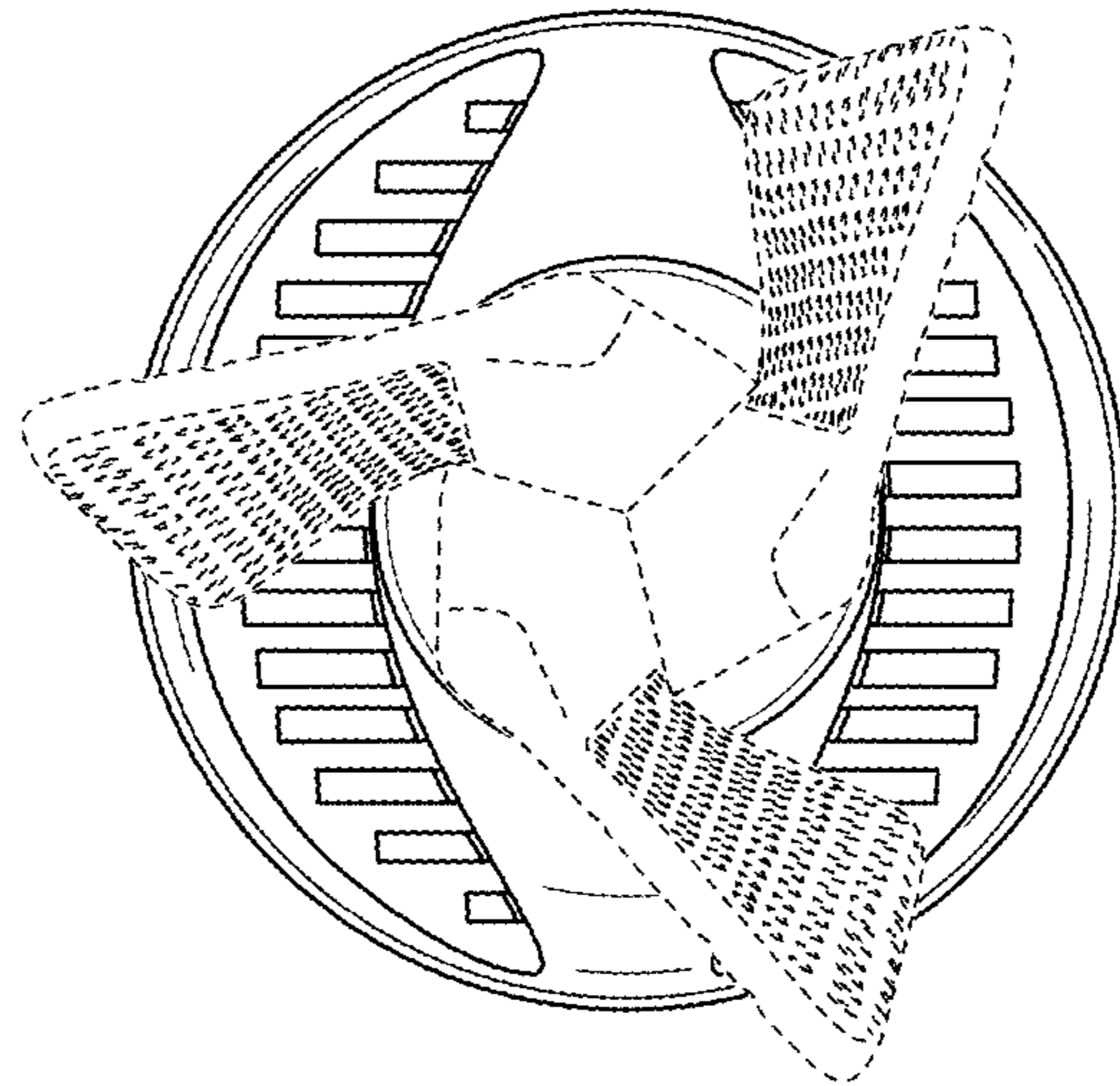


FIG. 6

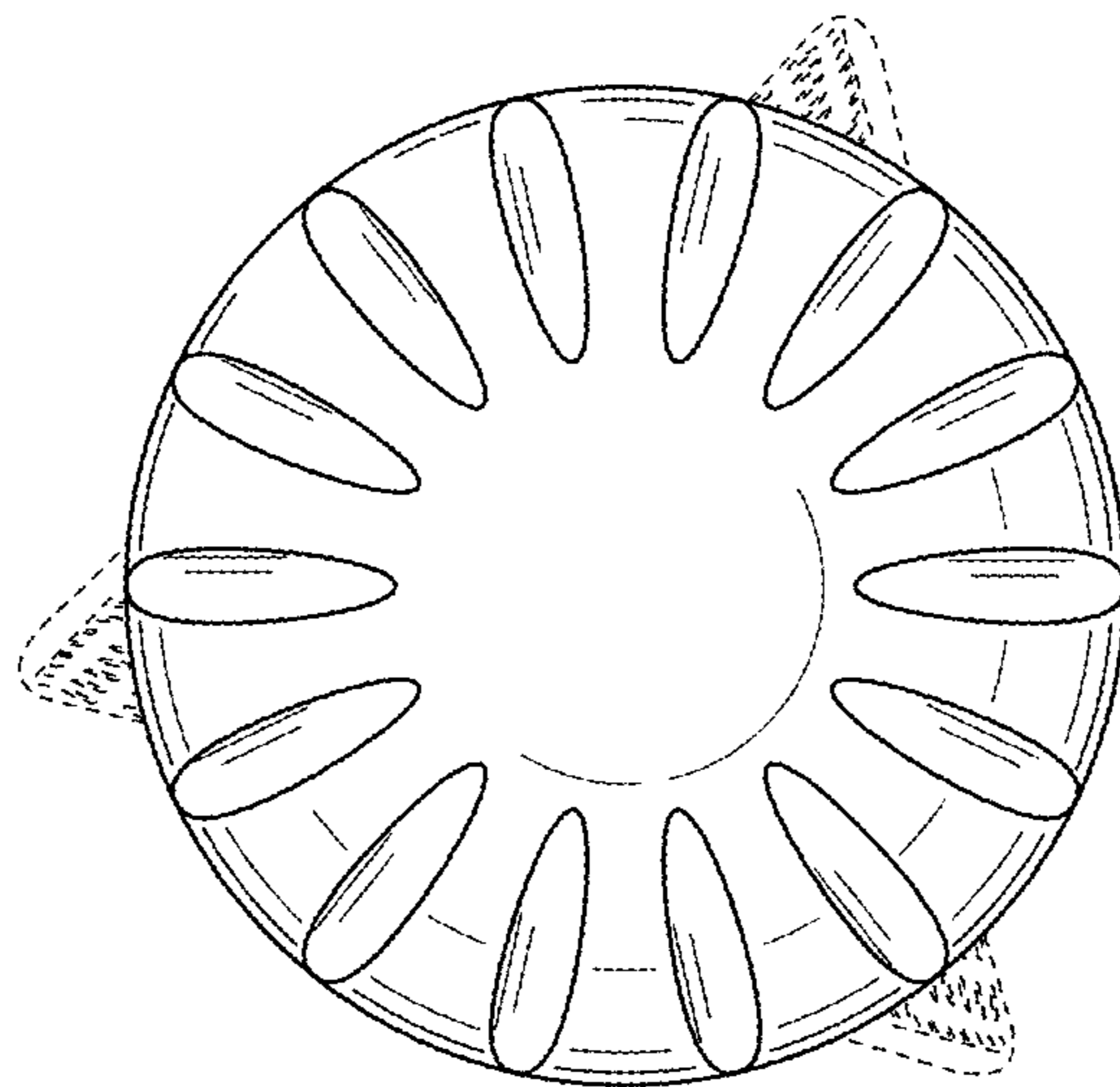


FIG. 7