

US00D692061S

(12) **United States Design Patent**
Huang et al.

(10) **Patent No.:** **US D692,061 S**
(45) **Date of Patent:** **** Oct. 22, 2013**

(54) **SENSOR MOUNT**

(75) Inventors: **Simon Mingjen Huang**, San Gabriel,
CA (US); **Nicholas Peter deSomov**,
Encino, CA (US)

(73) Assignee: **Performance Designed Products LLC**,
Sherman Oaks, CA (US)

(**) Term: **14 Years**

(21) Appl. No.: **29/426,782**

(22) Filed: **Jul. 10, 2012**

(51) **LOC (9) Cl.** **21-01**

(52) **U.S. Cl.**
USPC **D21/333**

(58) **Field of Classification Search**
USPC D21/330, 324, 328, 332, 333; 463/1,
463/36, 46, 47; 356/4.01; 348/222.1, 335,
348/46; D13/184; D8/354, 396
See application file for complete search history.

(56) **References Cited**

U.S. PATENT DOCUMENTS

5,325,278 A * 6/1994 Tortola et al. 362/109
D404,637 S * 1/1999 Nagato D8/354
6,126,177 A * 10/2000 Steinert 280/5.5
6,435,902 B1 * 8/2002 Groh et al. 439/527

D467,377 S * 12/2002 Hang D26/60
D470,536 S * 2/2003 Soga D21/333
D472,937 S * 4/2003 Chang D21/333
6,860,303 B2 * 3/2005 Rensel et al. 152/152.1
D632,340 S * 2/2011 Guinchard et al. D21/333
8,123,622 B1 * 2/2012 Young et al. 463/47
8,154,380 B2 * 4/2012 Miller 338/334
D678,954 S * 3/2013 Young et al. D21/333

* cited by examiner

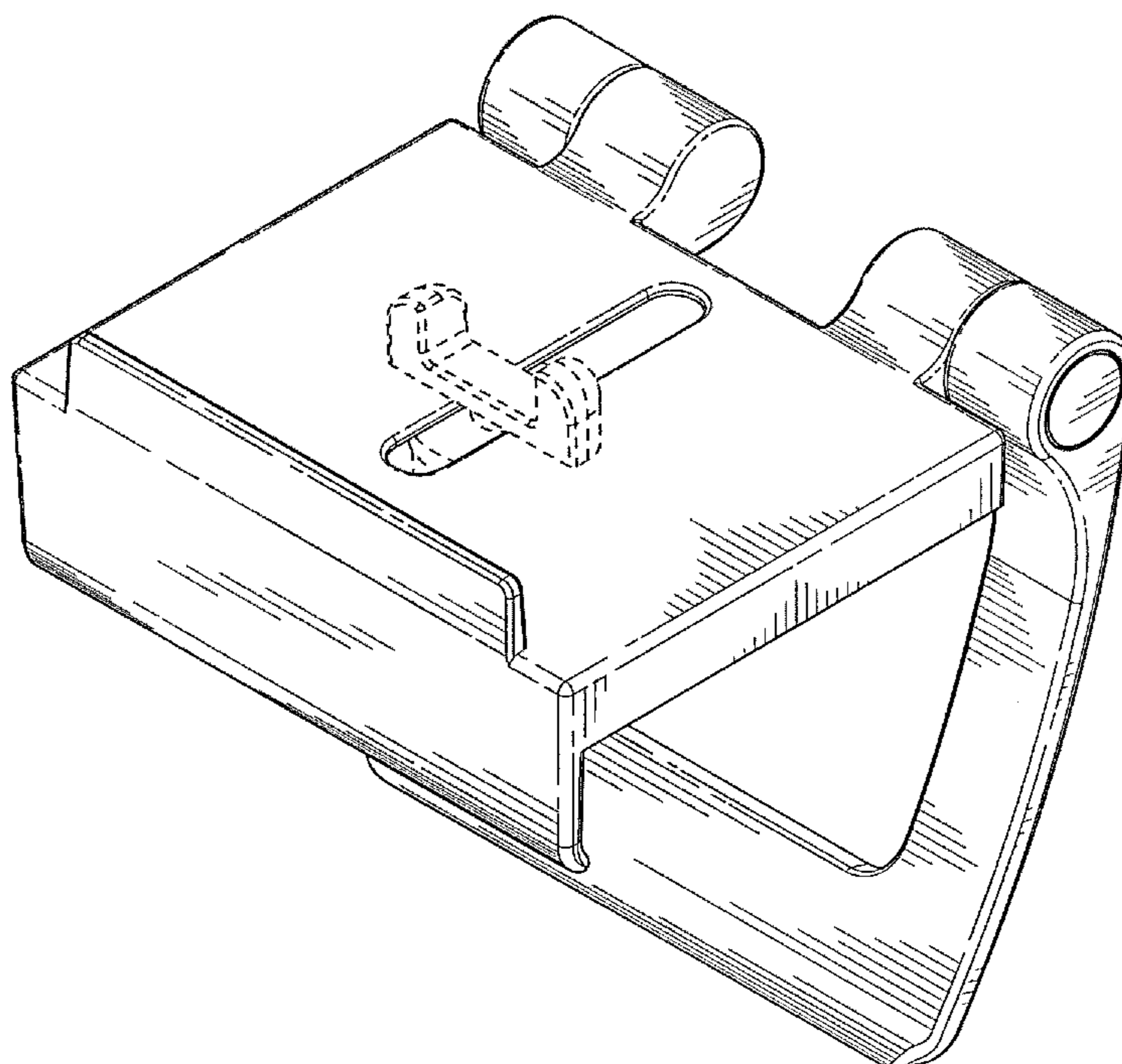
Primary Examiner — Prabhakar Deshmukh
(74) *Attorney, Agent, or Firm* — Sheppard Mullin Richter &
Hampton LLP

(57) **CLAIM**
We claim the ornamental design for a sensor mount, as shown
and described.

DESCRIPTION

FIG. 1 is a top perspective view of a sensor mount embodying
the new design;
FIG. 2 is a front elevation view thereof;
FIG. 3 is a rear elevation view thereof;
FIG. 4 is a right side elevation view thereof;
FIG. 5 is a left side elevation view thereof;
FIG. 6 is a top view thereof;
FIG. 7 is a bottom view thereof; and,
FIG. 8 is a bottom perspective view thereof.
The broken lines illustrate portions of the sensor mount that
form no part of the claimed design.

1 Claim, 8 Drawing Sheets



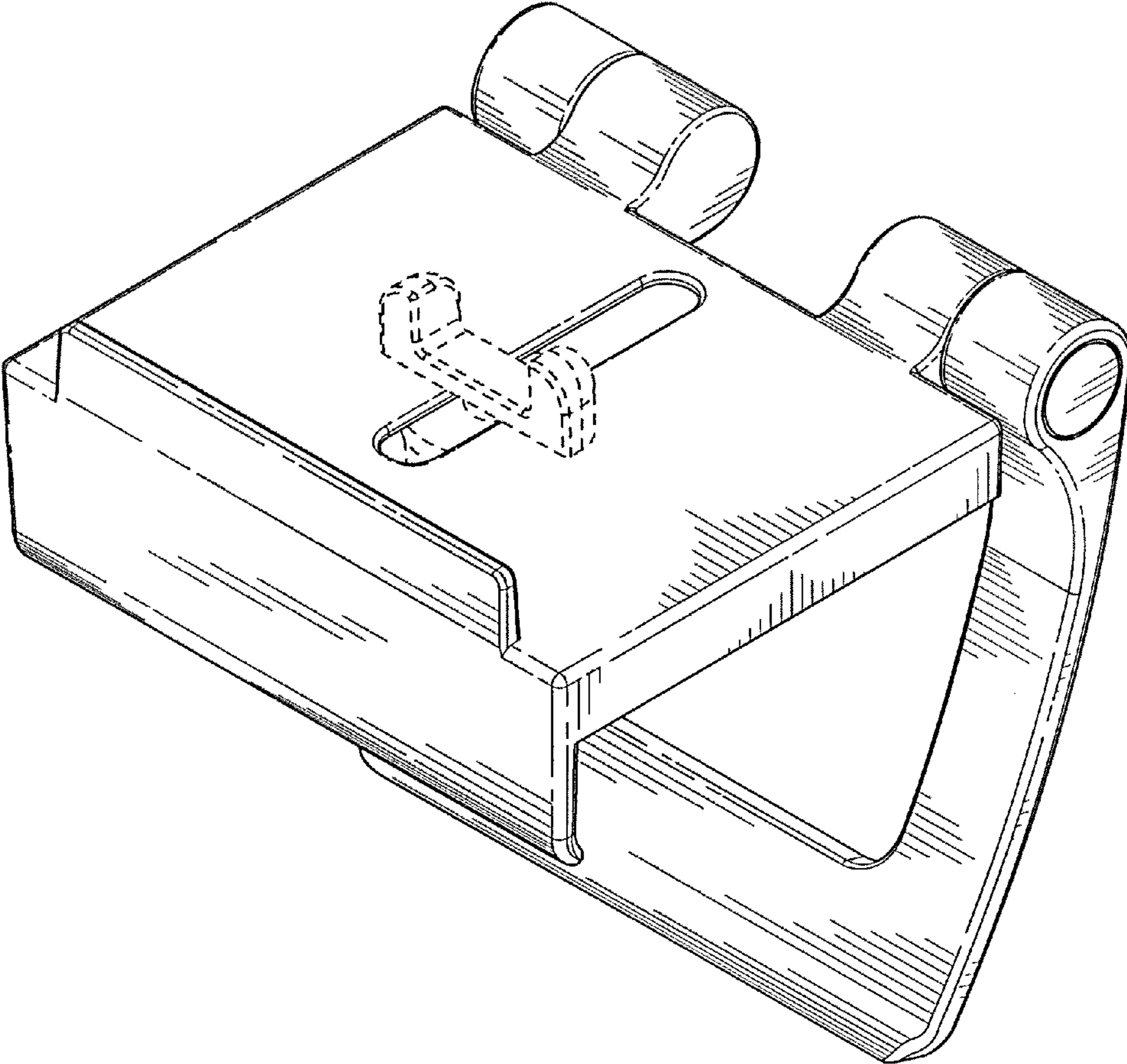


FIG. 1

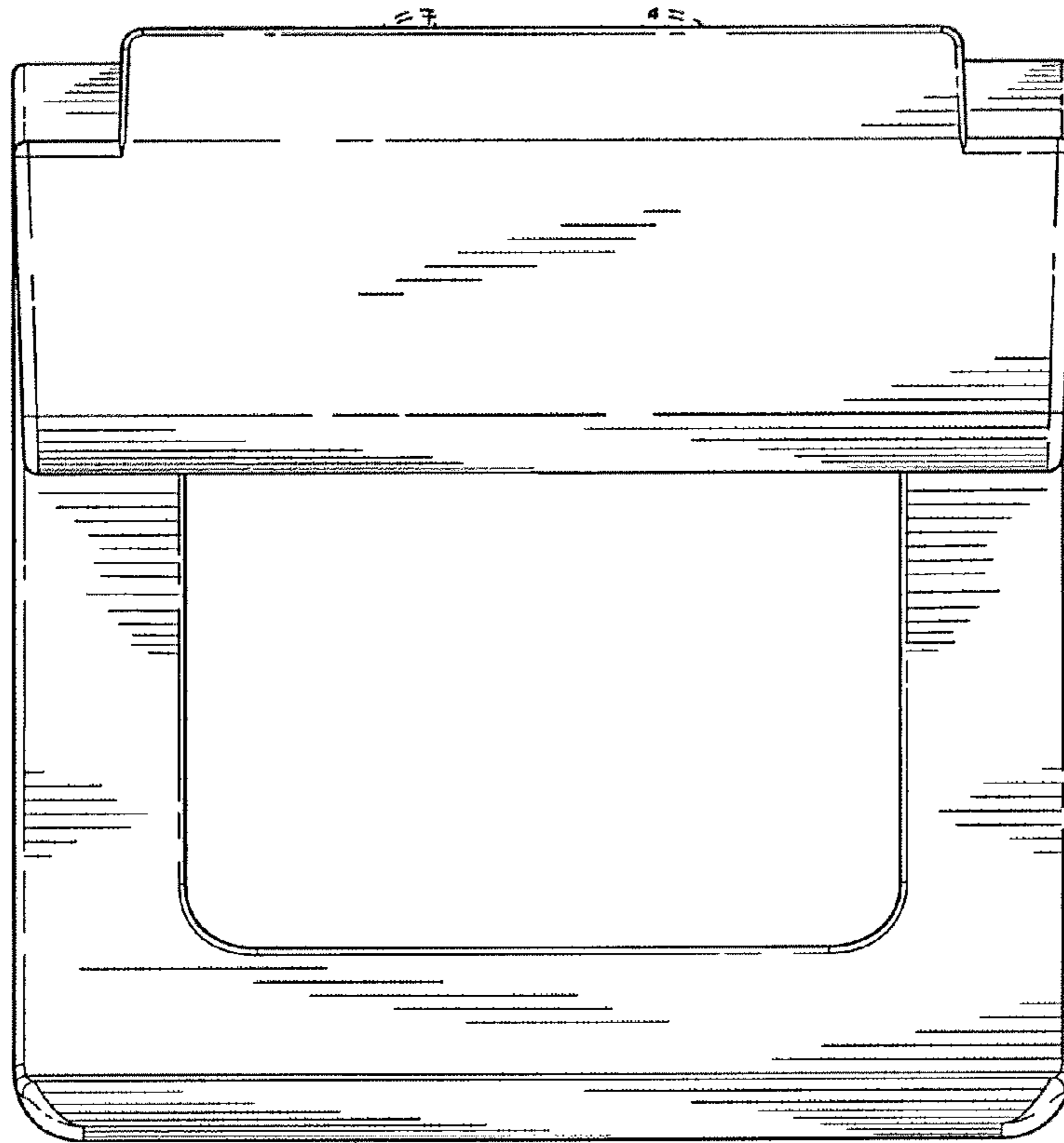


FIG. 2

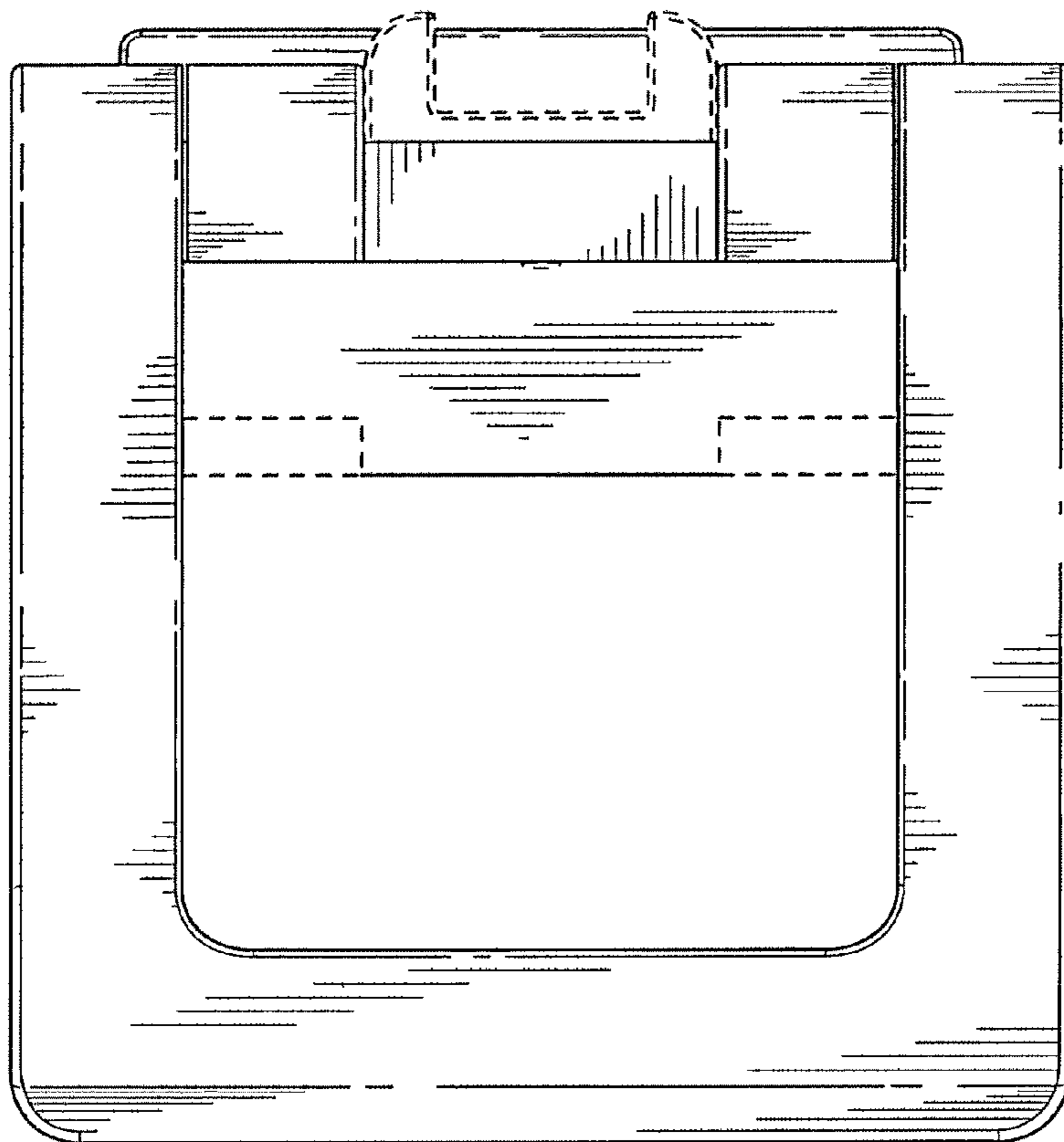


FIG. 3

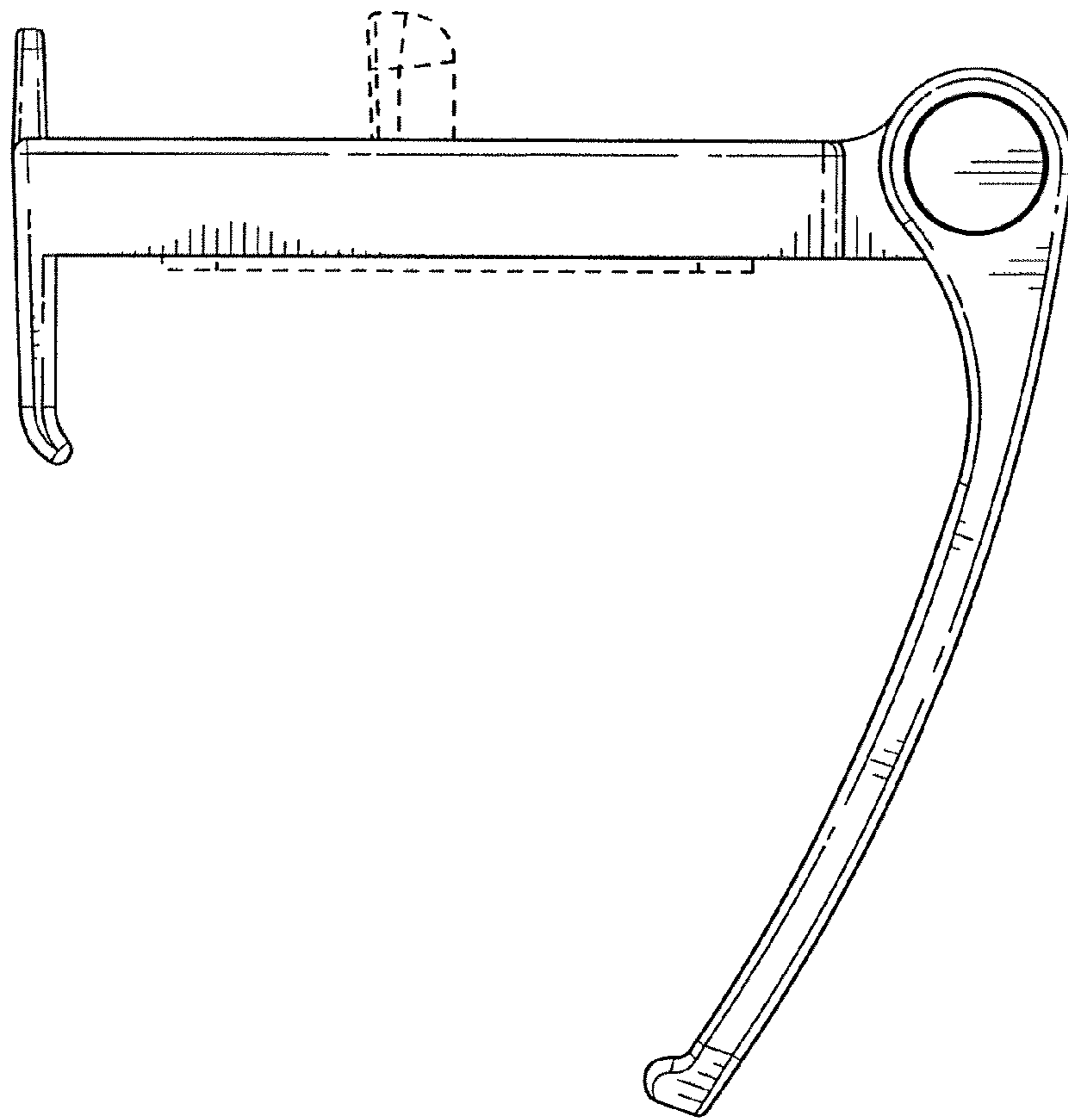


FIG. 4

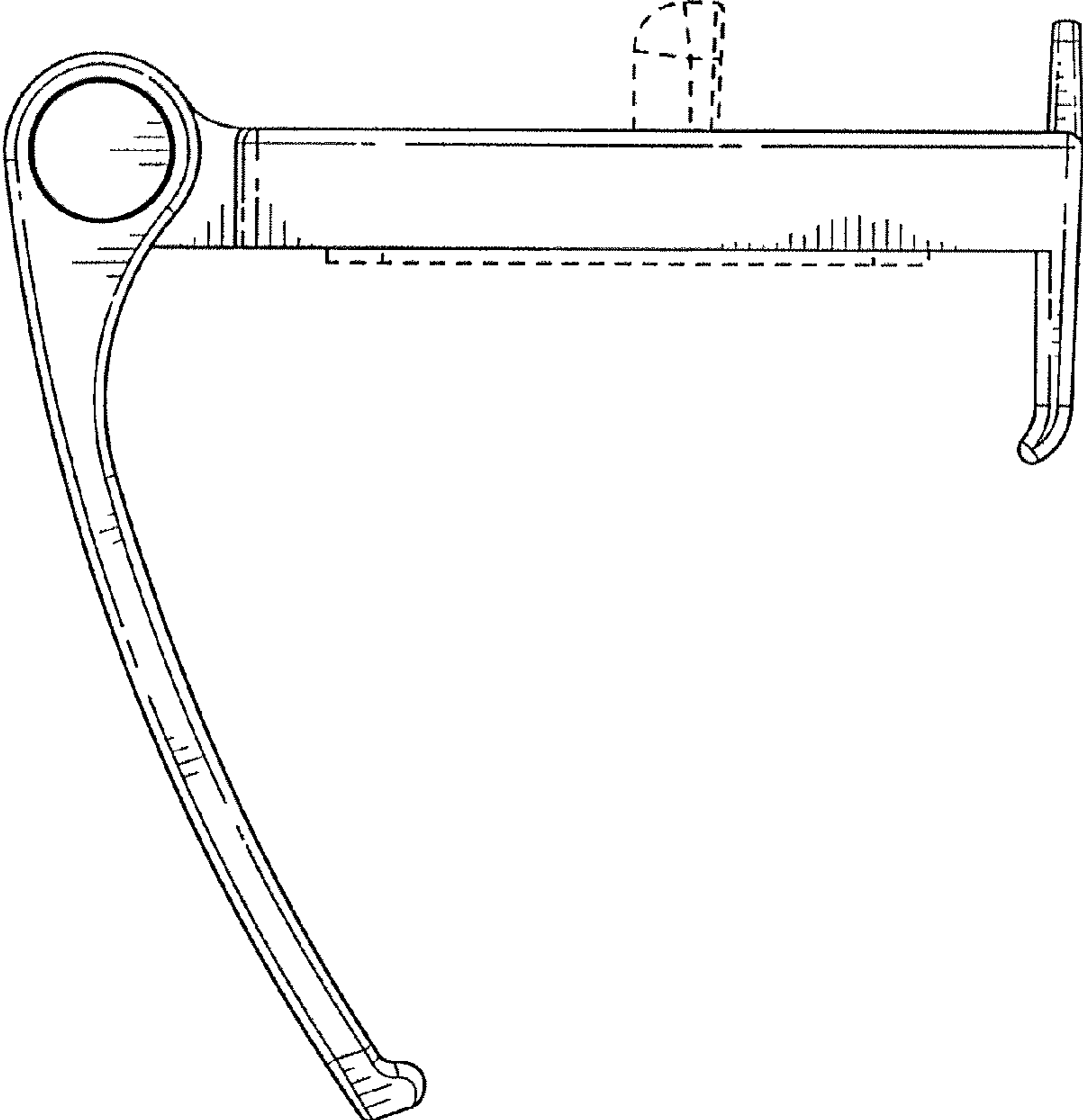


FIG. 5

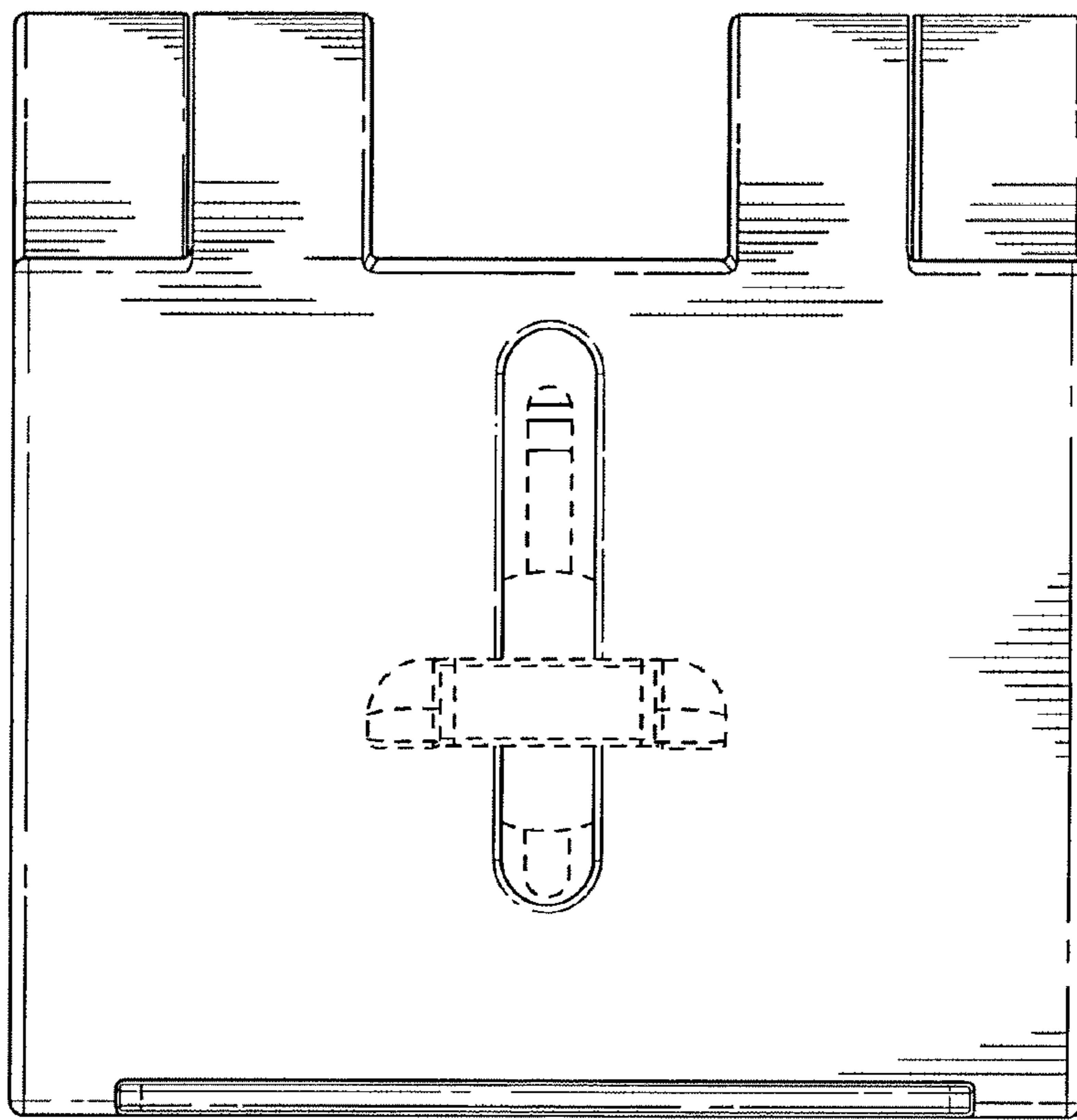


FIG. 6

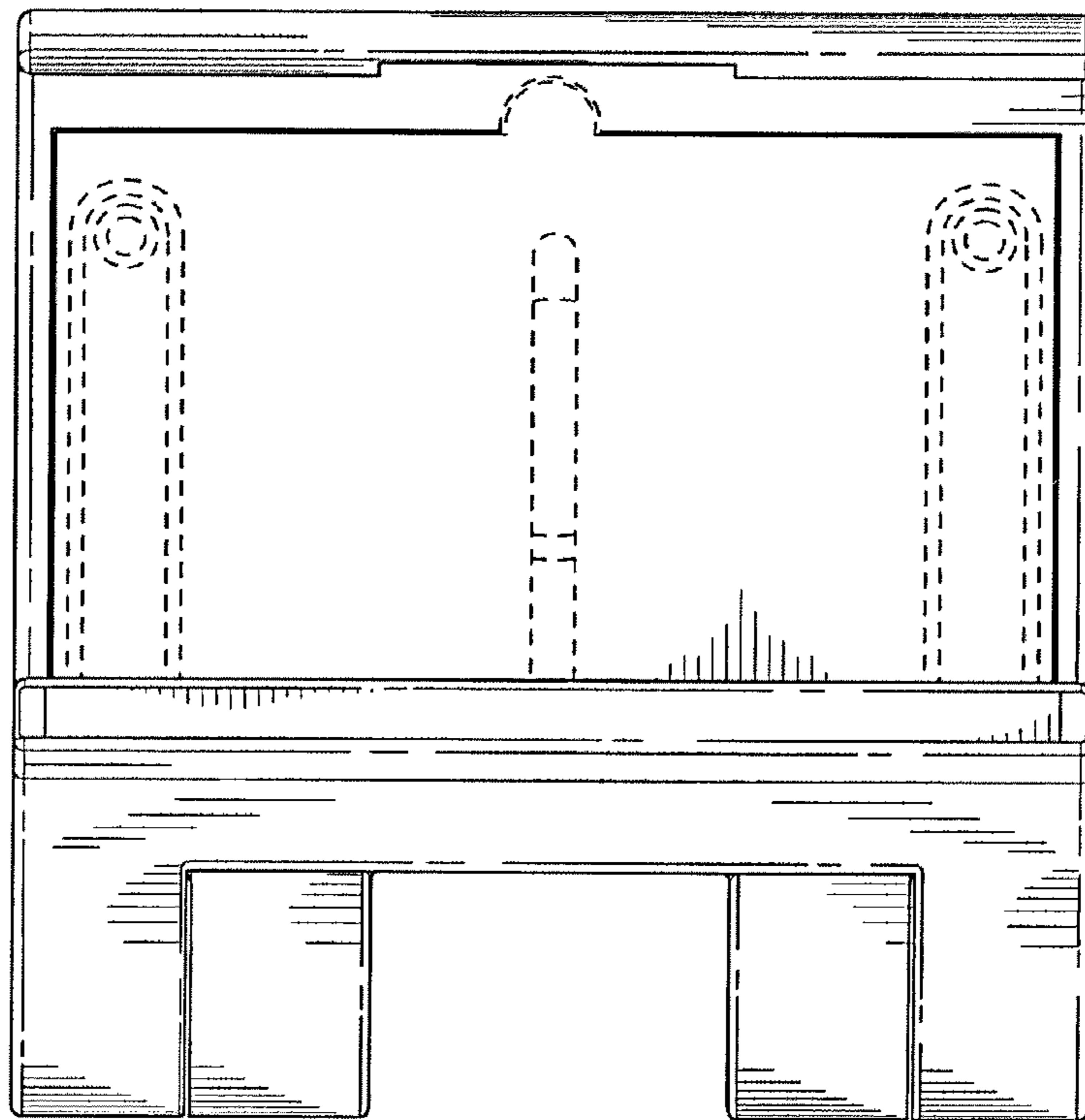


FIG. 7

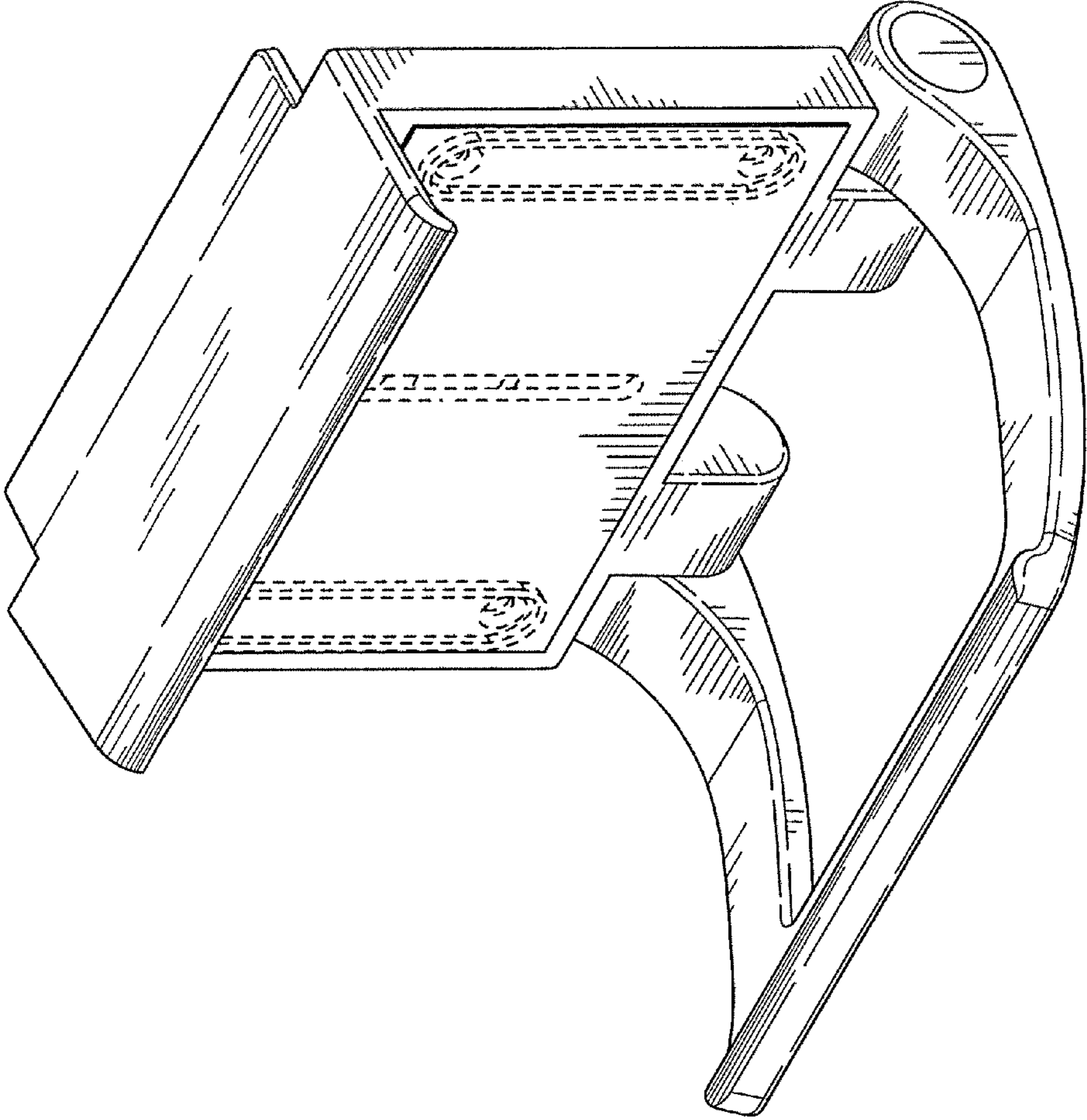


FIG. 8