

US00D692060S

(12) **United States Design Patent**
Lintz et al.

(10) **Patent No.:** **US D692,060 S**
(45) **Date of Patent:** **** Oct. 22, 2013**

(54) **AUDIO PRODUCTION CONSOLE**
(76) Inventors: **Steven Andrew Lintz**, Los Angeles, CA
(US); **Alexander Charles Oana**, Los Angeles, CA (US)

(**) Term: **14 Years**

(21) Appl. No.: **29/424,253**

(22) Filed: **Jun. 8, 2012**

(51) **LOC (9) Cl.** **21-01**

(52) **U.S. Cl.**
USPC **D21/325; D21/333**

(58) **Field of Classification Search**
USPC D21/324, 325, 328, 334-339, 371-375,
D21/385, 396, 397, 783; D6/429;
273/236-285, 148 R, 309; 463/1-9,
463/11-20; 108/36, 127, 129
See application file for complete search history.

(56) **References Cited**

U.S. PATENT DOCUMENTS

3,788,700	A *	1/1974	Wartes	297/440.13
D311,428	S *	10/1990	Sears	D21/325
5,632,483	A *	5/1997	Garczynski et al.	273/148 R
6,251,015	B1 *	6/2001	Caprai	463/36
6,290,229	B1 *	9/2001	Perez	273/148 R
D459,759	S *	7/2002	Shepherd et al.	D21/333

D460,120	S *	7/2002	Lynch	D21/325
6,659,462	B1 *	12/2003	Scott	273/274
D525,313	S *	7/2006	Dattl et al.	D21/325
D545,378	S *	6/2007	Cropp	D21/325
D568,942	S *	5/2008	Gauselmann	D21/333
7,803,051	B2 *	9/2010	Kuhn et al.	463/36
D657,823	S *	4/2012	Gutowski	D21/331

* cited by examiner

Primary Examiner — Prabhakar Deshmukh

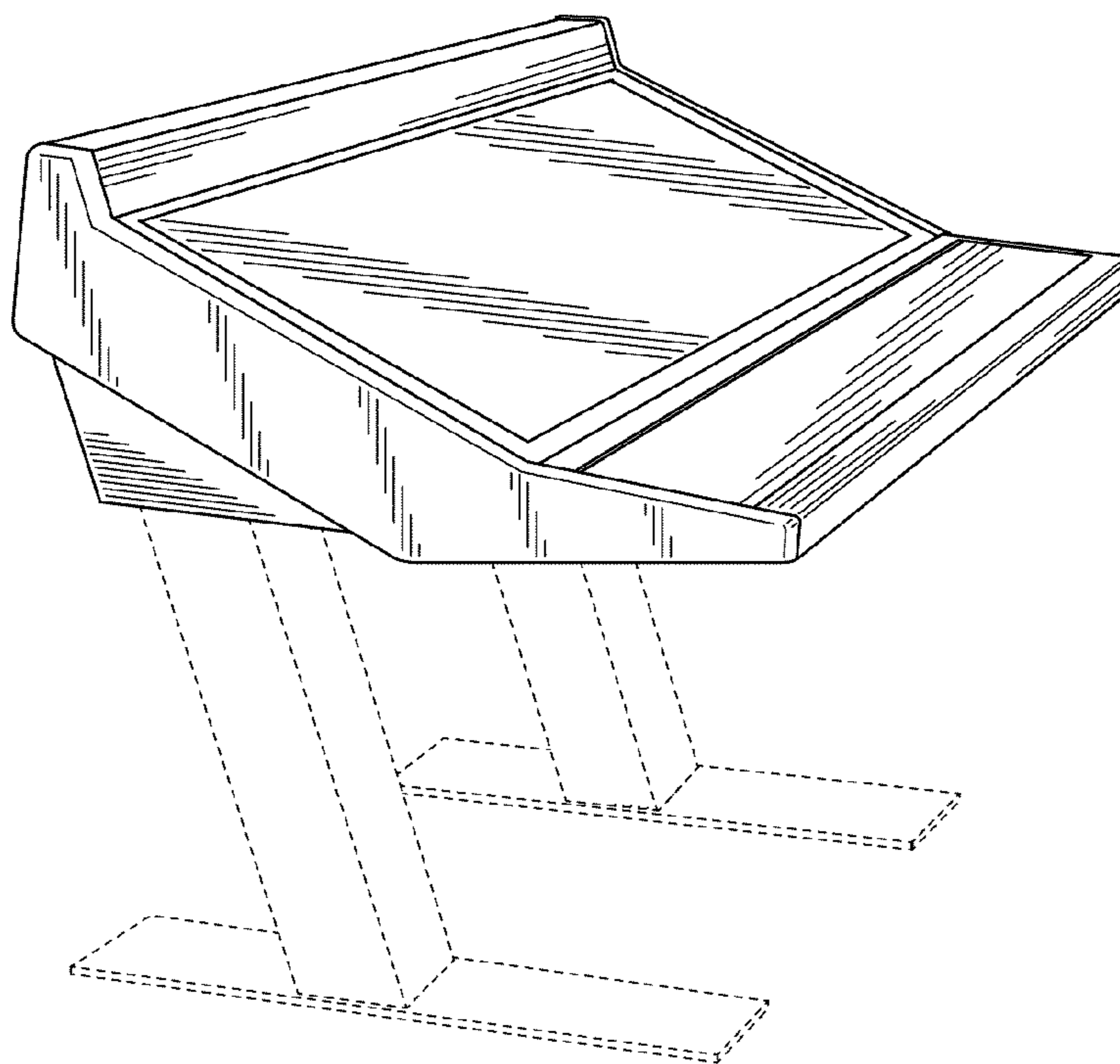
(74) *Attorney, Agent, or Firm* — Lowry Blixseth LLP; Scott M. Lowry

(57) **CLAIM**
The ornamental design for an audio production console, as shown and described.

DESCRIPTION

FIG. 1 is a perspective view of an audio production console showing our new design;
FIG. 2 is a front elevational view thereof;
FIG. 3 is a rear elevational view thereof;
FIG. 4 is a left side elevational view thereof;
FIG. 5 is a right side elevational view thereof;
FIG. 6 is a top plan view thereof; and,
FIG. 7 is a bottom plan view thereof.
The broken lines are for illustrative purpose only and form no part of the claimed design.

1 Claim, 2 Drawing Sheets



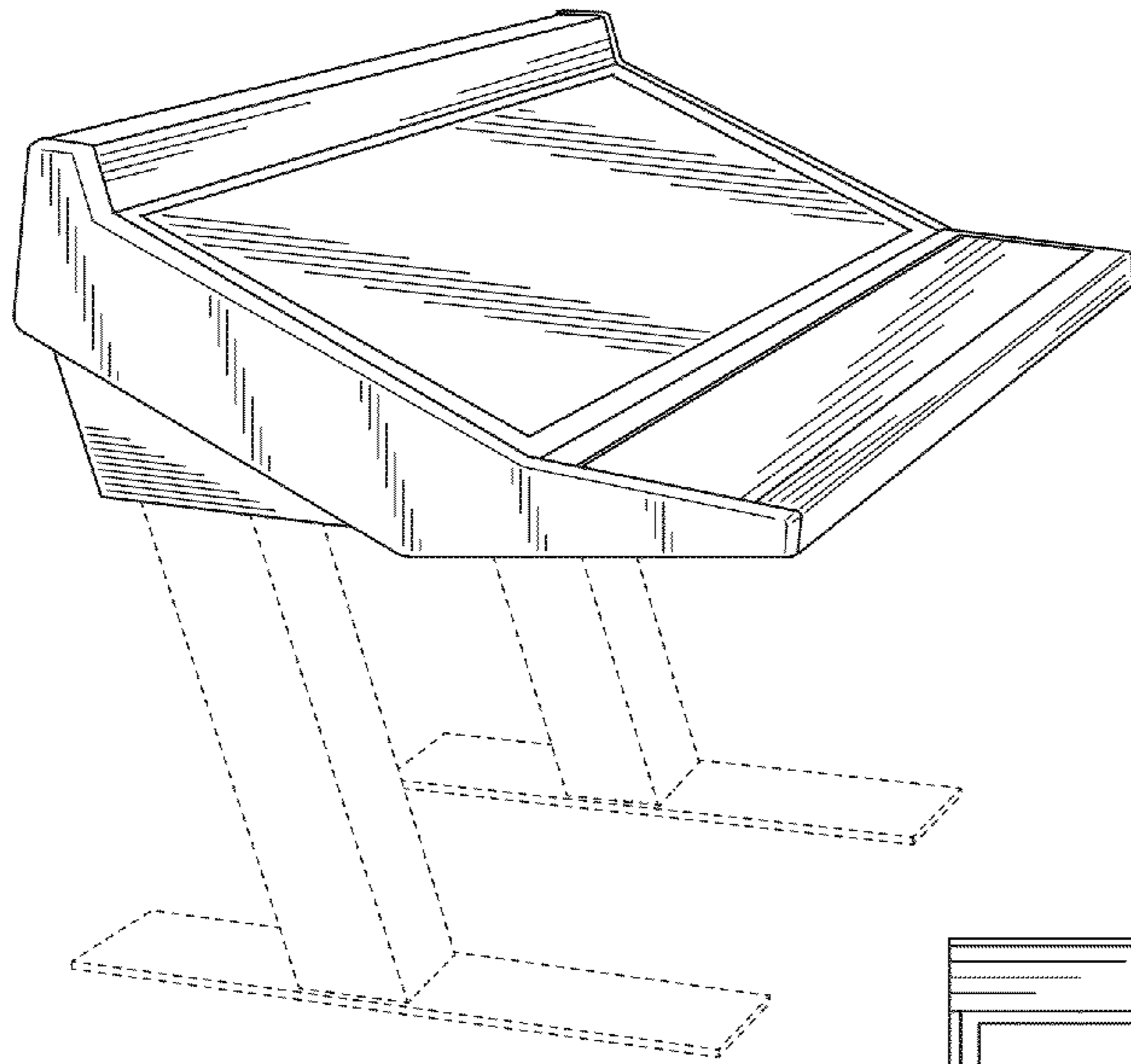


FIG. 1

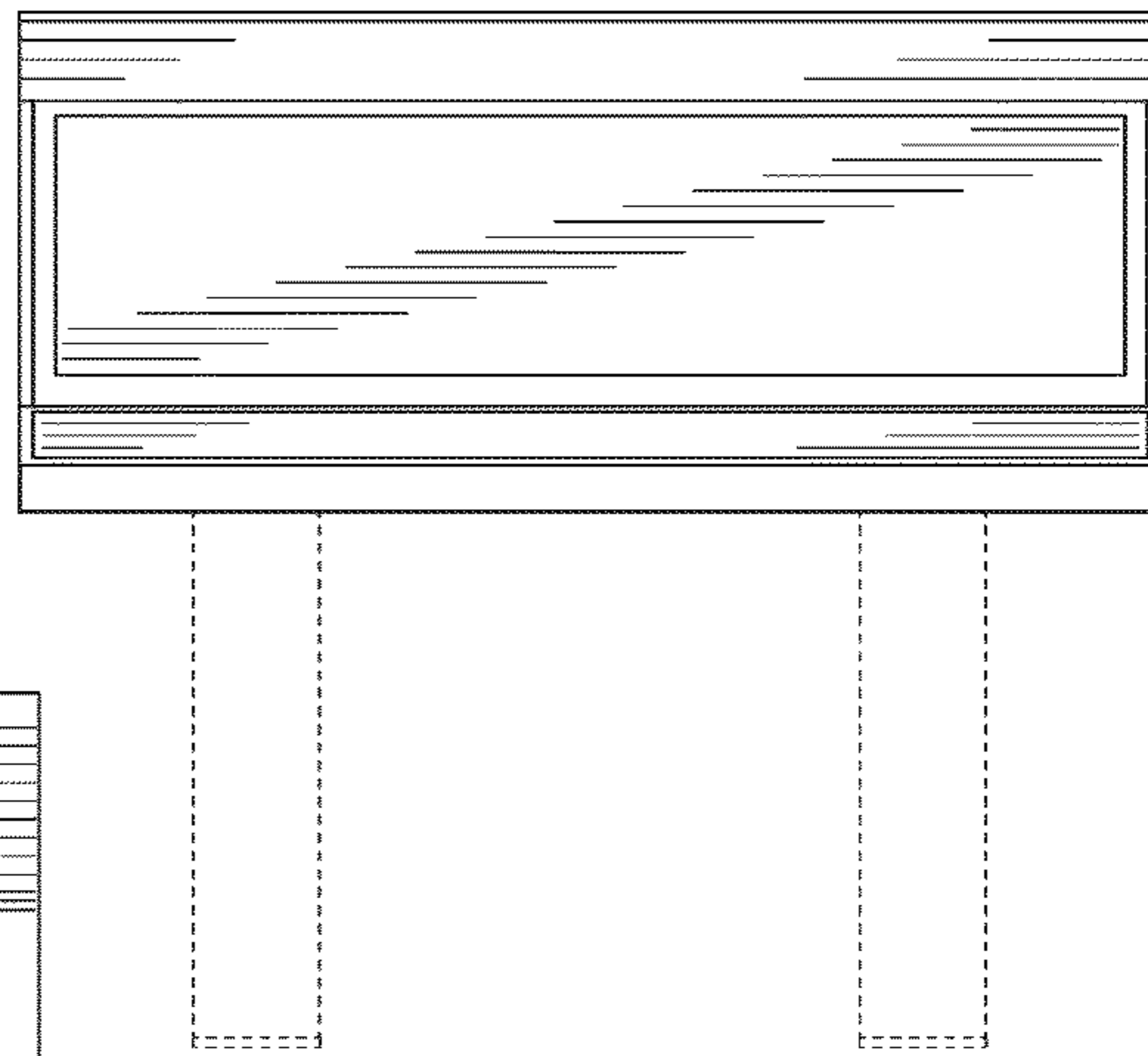


FIG. 2

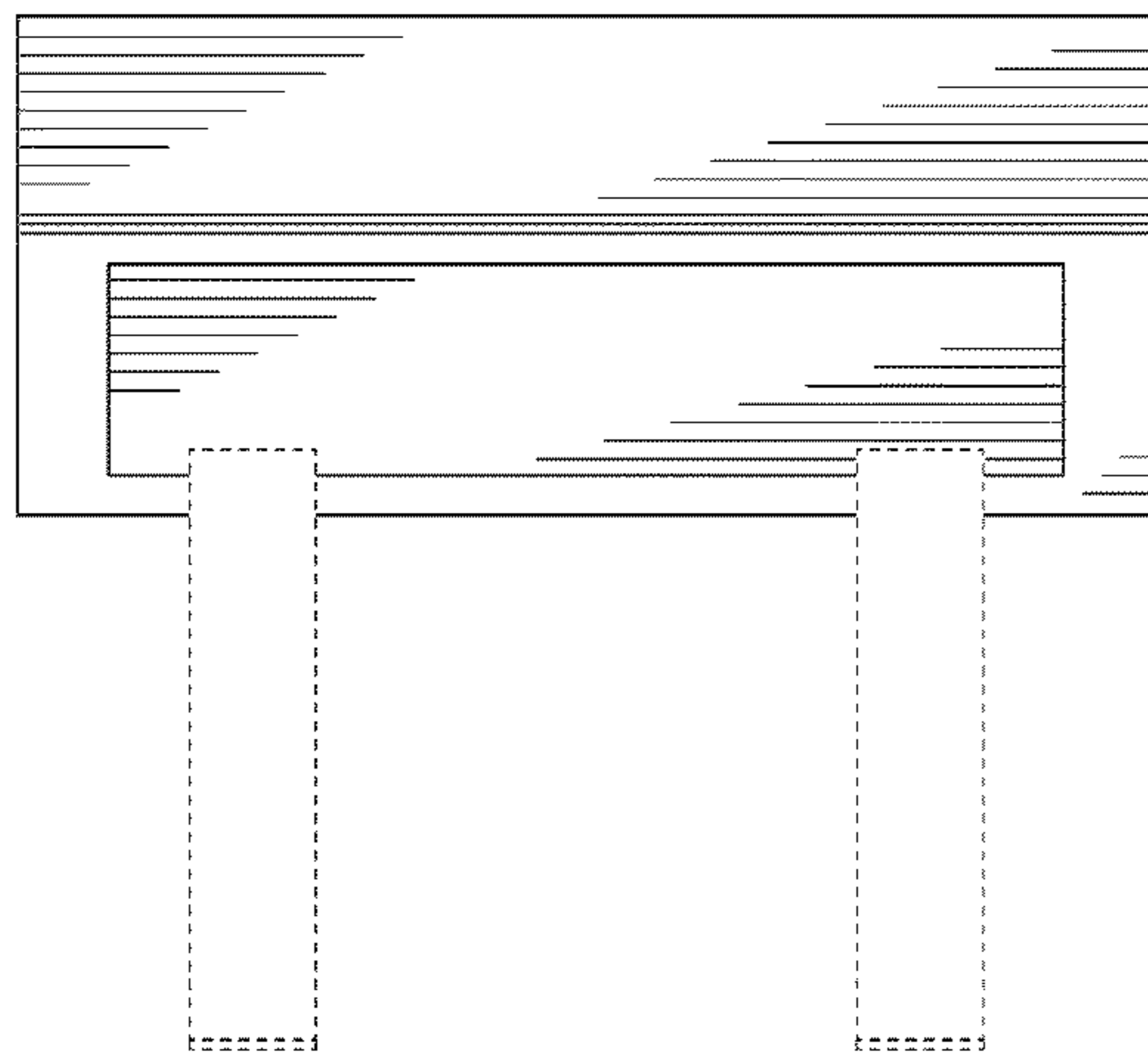


FIG. 3

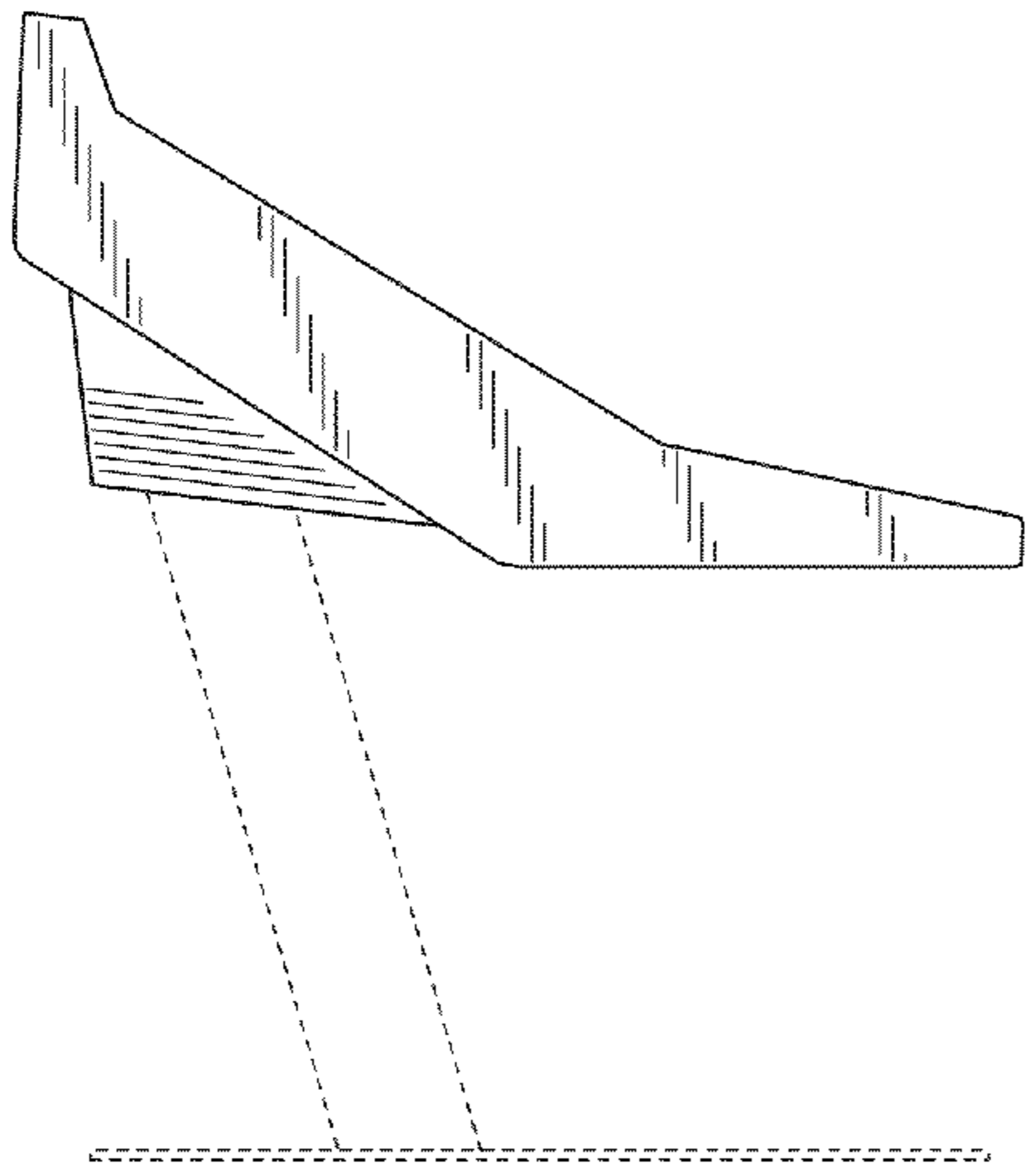


FIG. 4

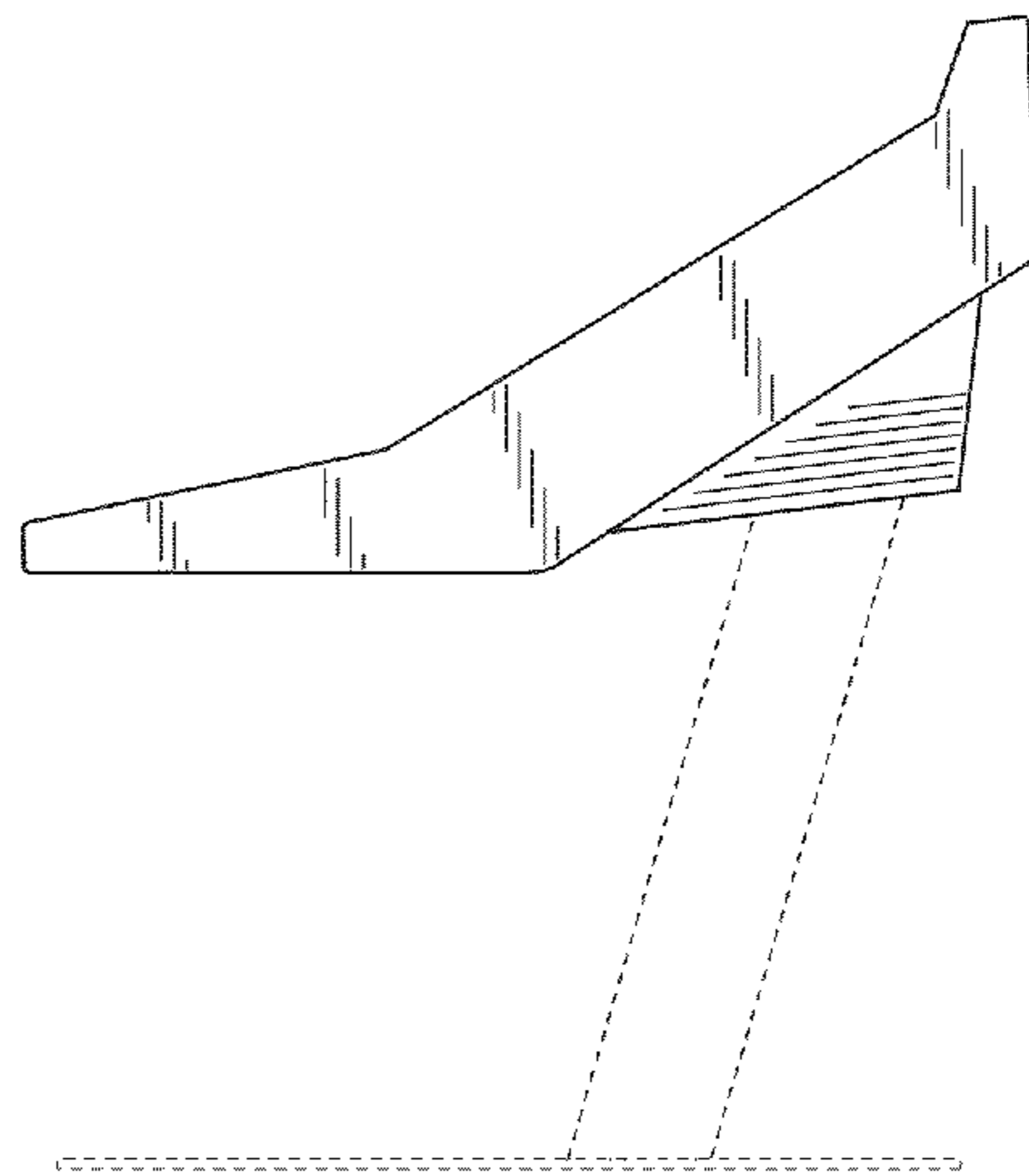


FIG. 5

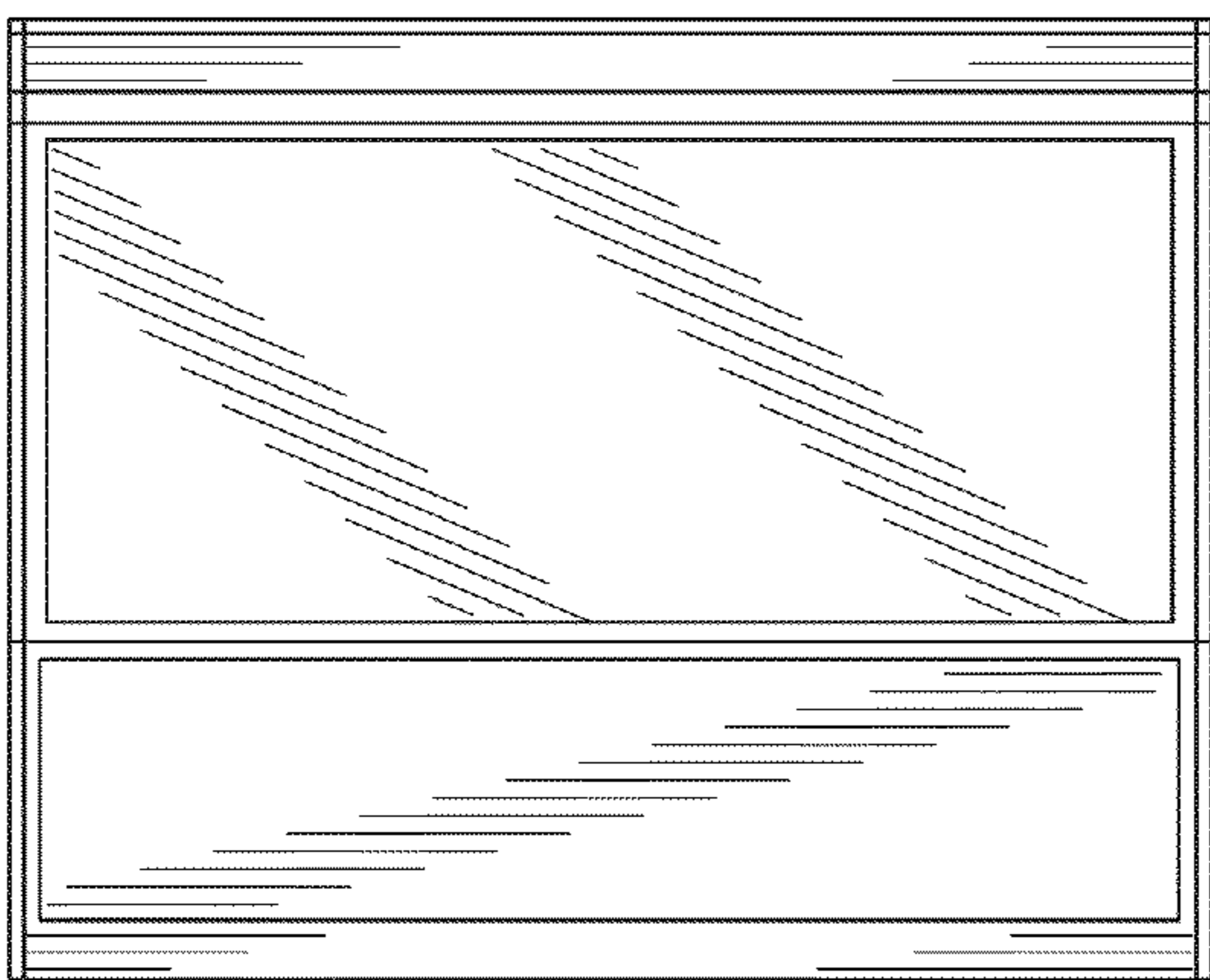


FIG. 6

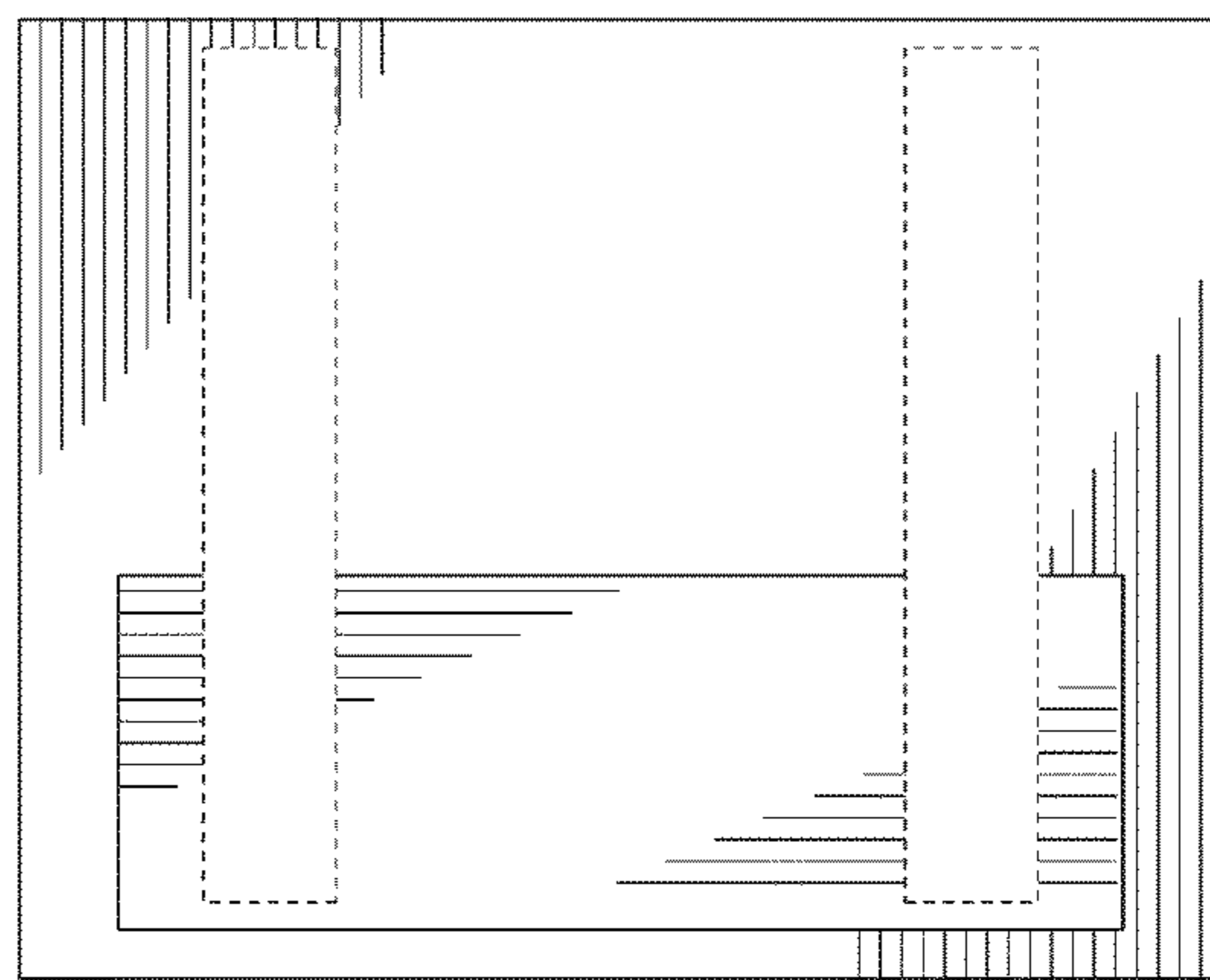


FIG. 7