

US00D692058S

(12) **United States Design Patent**
De Bellis et al.

(10) **Patent No.:** **US D692,058 S**

(45) **Date of Patent:** **** Oct. 22, 2013**

(54) **DISPENSER**

(71) Applicant: **3M Innovative Properties Company**,
St. Paul, MN (US)

(72) Inventors: **Giuseppe De Bellis**, San Donato
Milanese (IT); **Monica Dalla Riva**,
Milan (IT); **Patrice P. Freyermuth**,
Bessancourt (FR); **Serge F. Masset**, Paris
(FR)

(73) Assignee: **3M Innovative Properties Company**,
St. Paul, MN (US)

(**) Term: **14 Years**

(21) Appl. No.: **29/444,094**

(22) Filed: **Jan. 25, 2013**

(51) **LOC (9) Cl.** **19-02**

(52) **U.S. Cl.**
USPC **D19/86**

(58) **Field of Classification Search**
USPC D3/201, 206, 247; D6/515, 517, 518;
D9/414, 432; D19/75, 78, 86, 90-92;
206/37, 39, 39.5, 215, 233, 425;
221/282, 283, 284, 285
See application file for complete search history.

(56) **References Cited**

U.S. PATENT DOCUMENTS

1,629,070	A *	5/1927	Cox	273/150
D181,305	S *	10/1957	Martino	D19/77
D265,211	S *	6/1982	Knight	D19/35
D282,083	S *	1/1986	Kier	D19/92
D370,681	S	6/1996	Diamond	
D393,982	S *	5/1998	Pulitano	D7/590
D439,804	S *	4/2001	Pulitano	D7/590
D442,582	S	5/2001	Lantin	
D551,658	S *	9/2007	Hussaini et al.	D14/217
D572,311	S *	7/2008	Curless	D19/91

7,568,674	B2 *	8/2009	Polster	248/446
D630,683	S *	1/2011	Vrotsos	D19/78
D630,868	S *	1/2011	Annicelli	D6/457
8,136,785	B1 *	3/2012	Polster	248/446

FOREIGN PATENT DOCUMENTS

CN	200730146838.2	4/2008
CN	200730355318.2	12/2008
CN	200730355325.2	12/2008
CN	201030247961.5	2/2011
CN	201130200871.5	2/2012
EP	000223557-0001	3/2004
EP	000763784-0001	7/2007
KR	30-0601248	6/2011
KR	30-0601278	6/2011

* cited by examiner

Primary Examiner — Elizabeth Albert

(74) *Attorney, Agent, or Firm* — Irina Hass

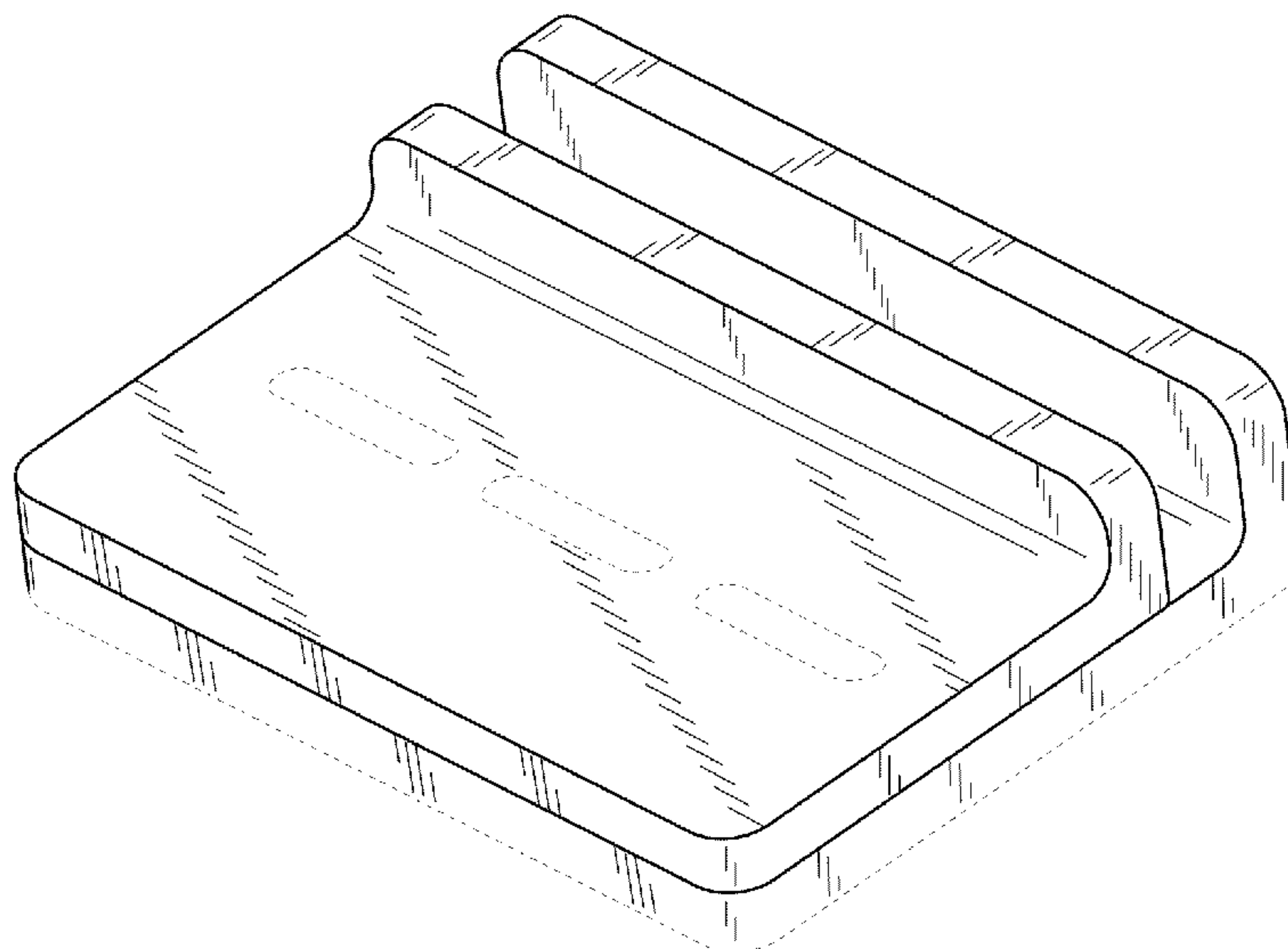
(57) **CLAIM**

The ornamental design for a dispenser, as shown and described.

DESCRIPTION

FIG. 1 is a perspective view showing the new design for a dispenser;
FIG. 2 is a right side view thereof, a left side view being a mirror image thereof;
FIG. 3 is a top view thereof;
FIG. 4 is a bottom view thereof;
FIG. 5 is a front view thereof;
FIG. 6 is a rear view thereof; and,
FIG. 7 is a perspective view thereof showing the dispenser with flags and an electronic device.
The broken lines in FIGS. 1-7 are included for the purpose of showing flags and an electronic device that form no part of the claimed design.

1 Claim, 4 Drawing Sheets



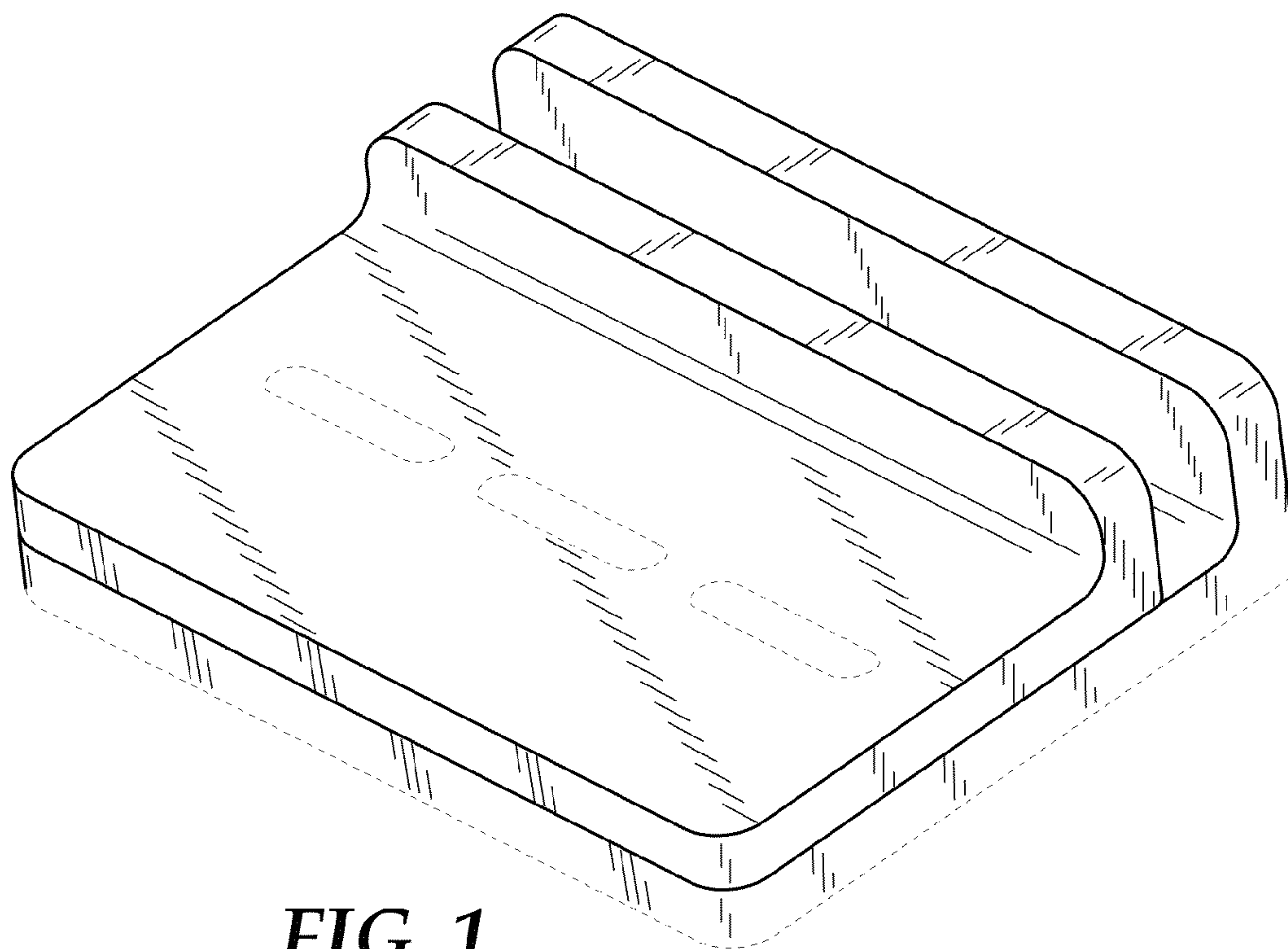


FIG. 1

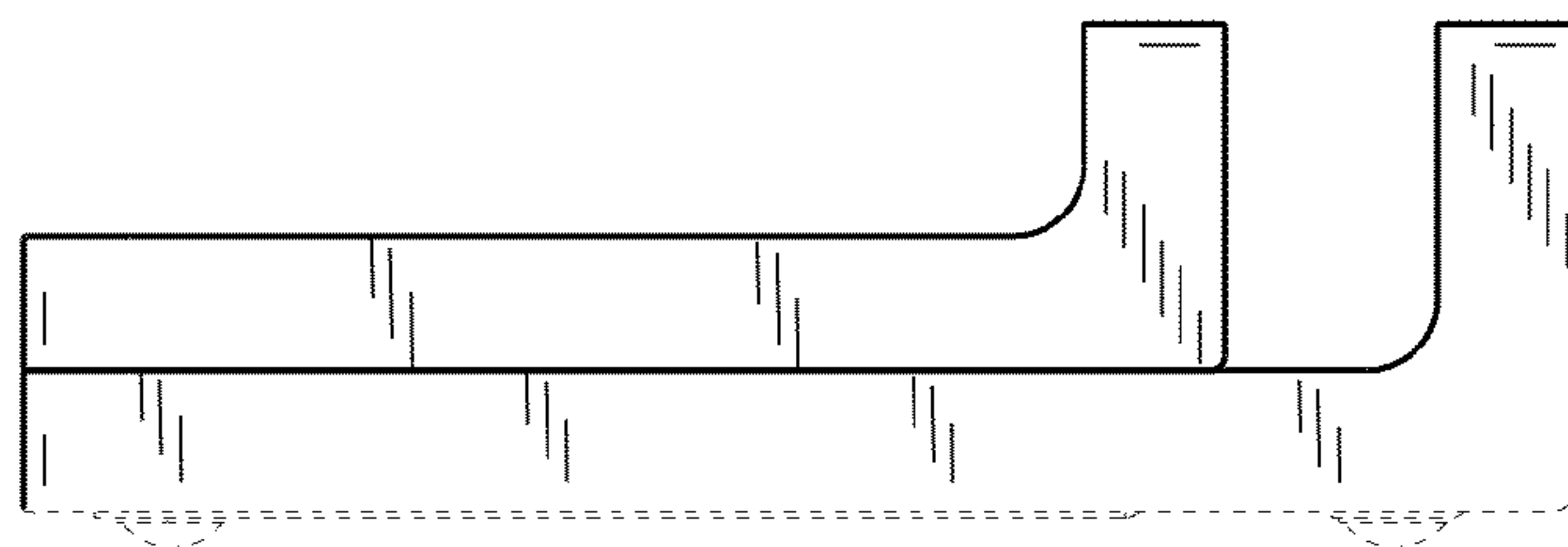


FIG. 2

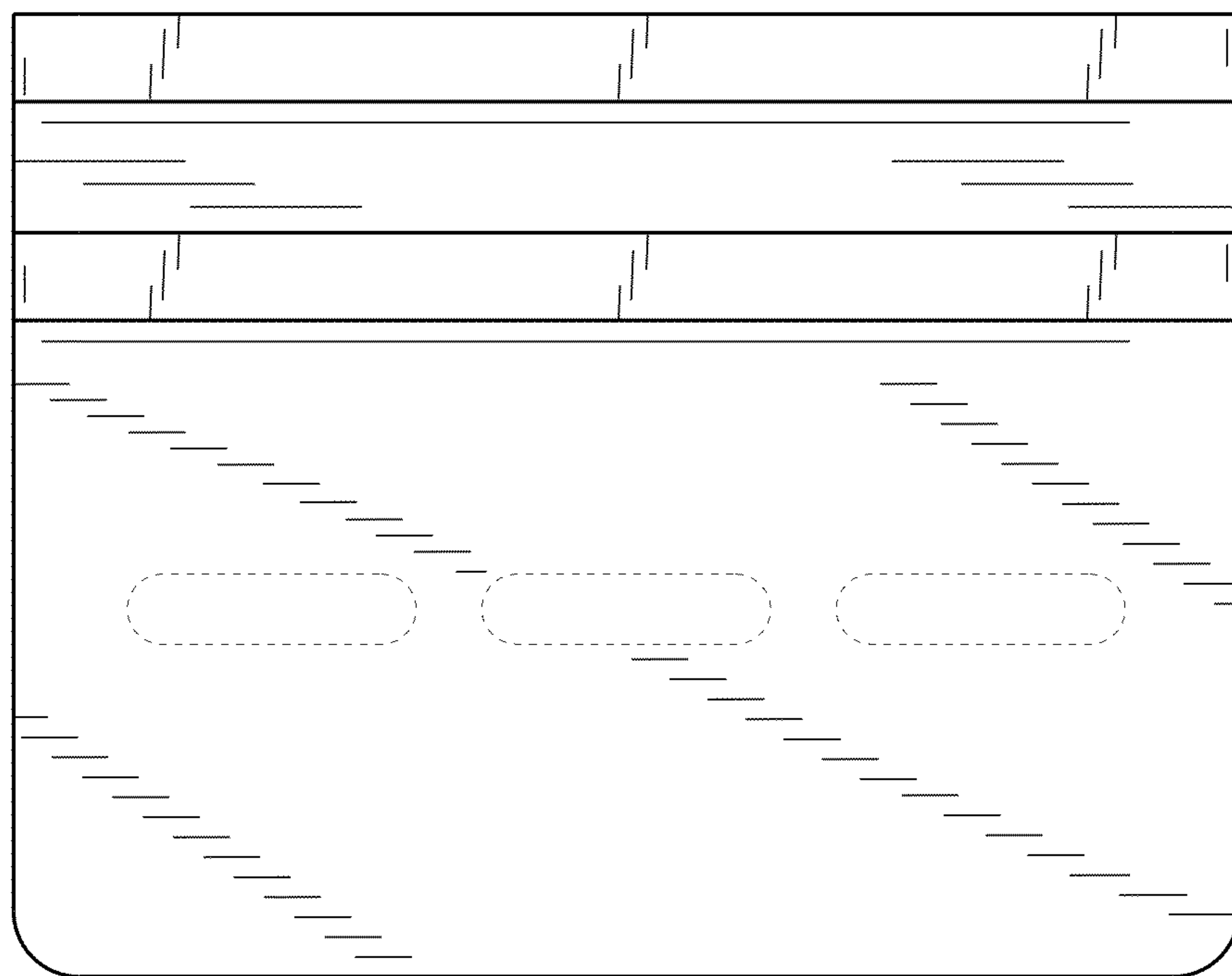


FIG. 3

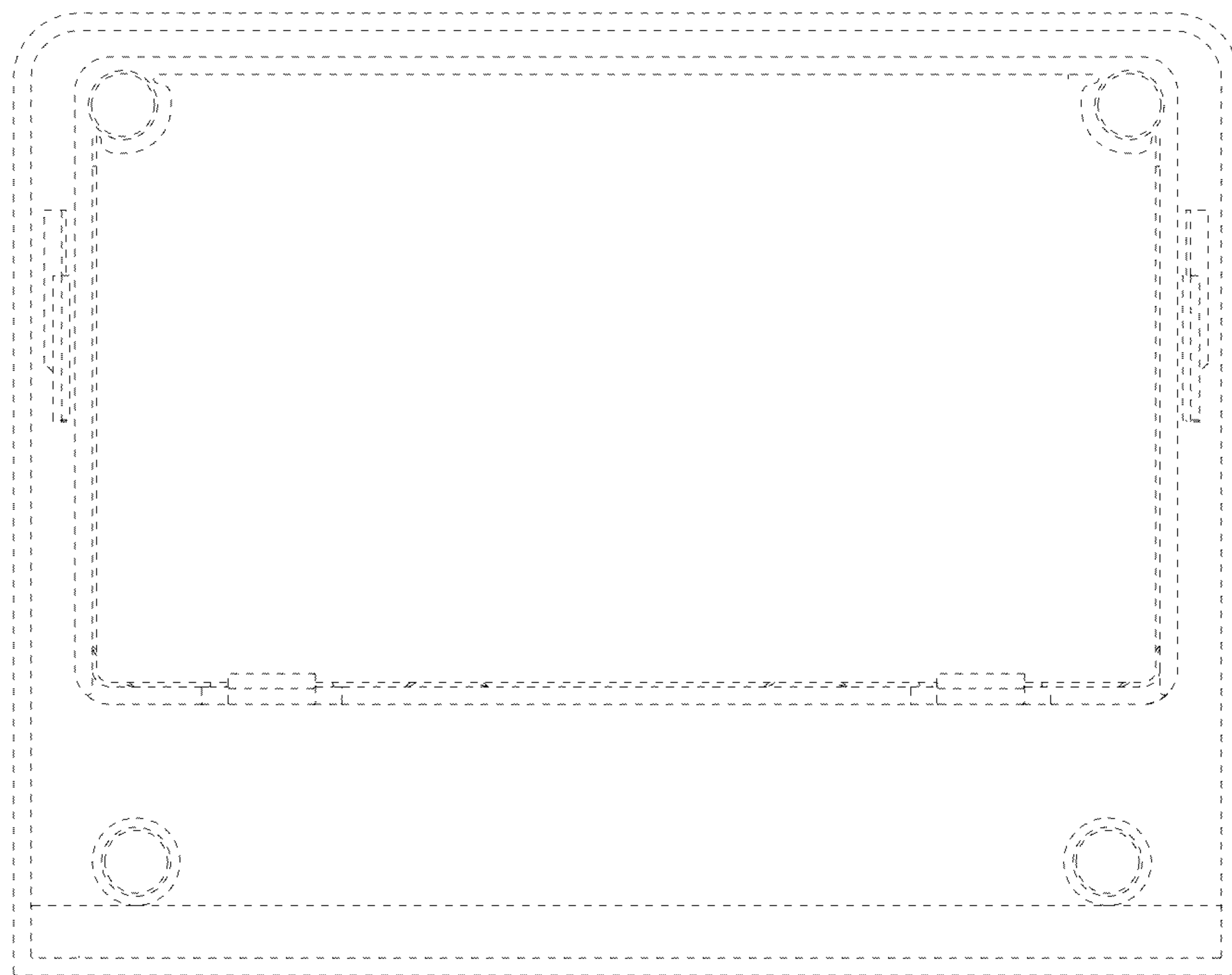


FIG. 4

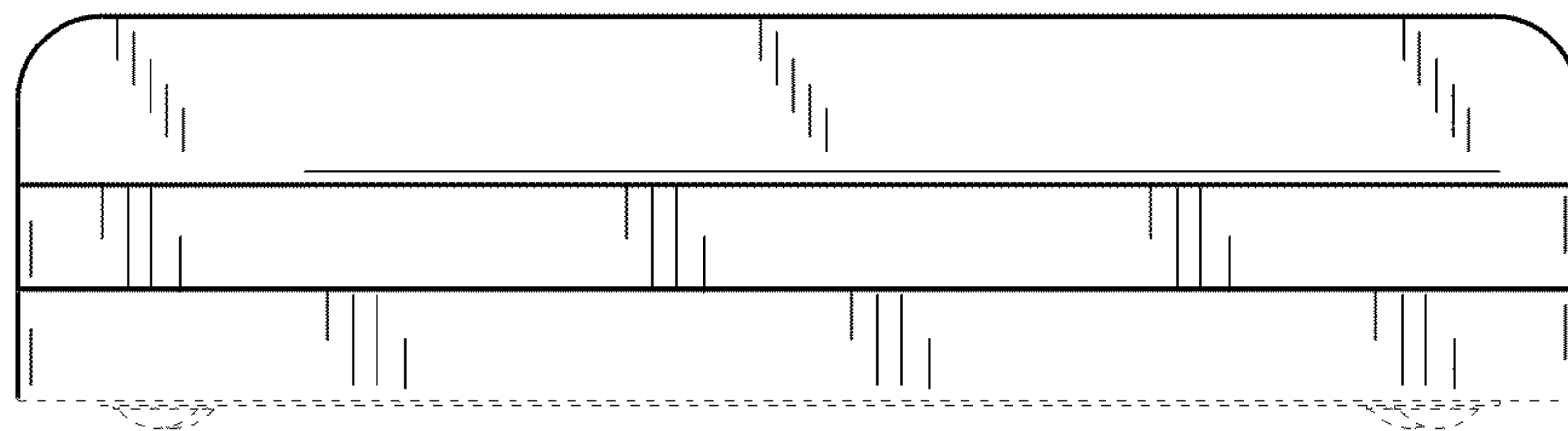


FIG. 5

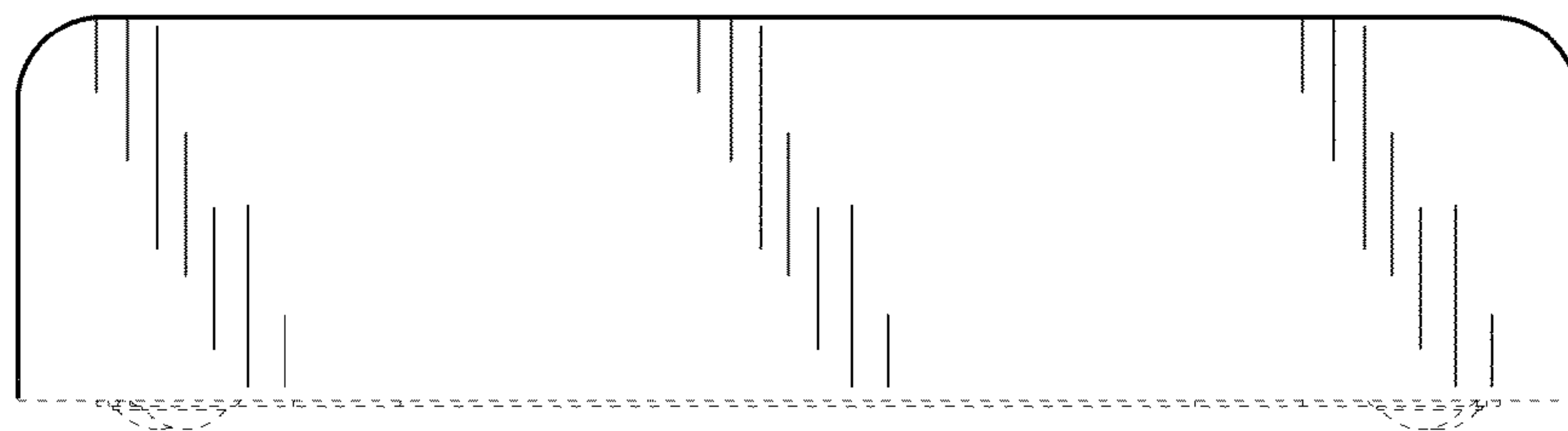


FIG. 6

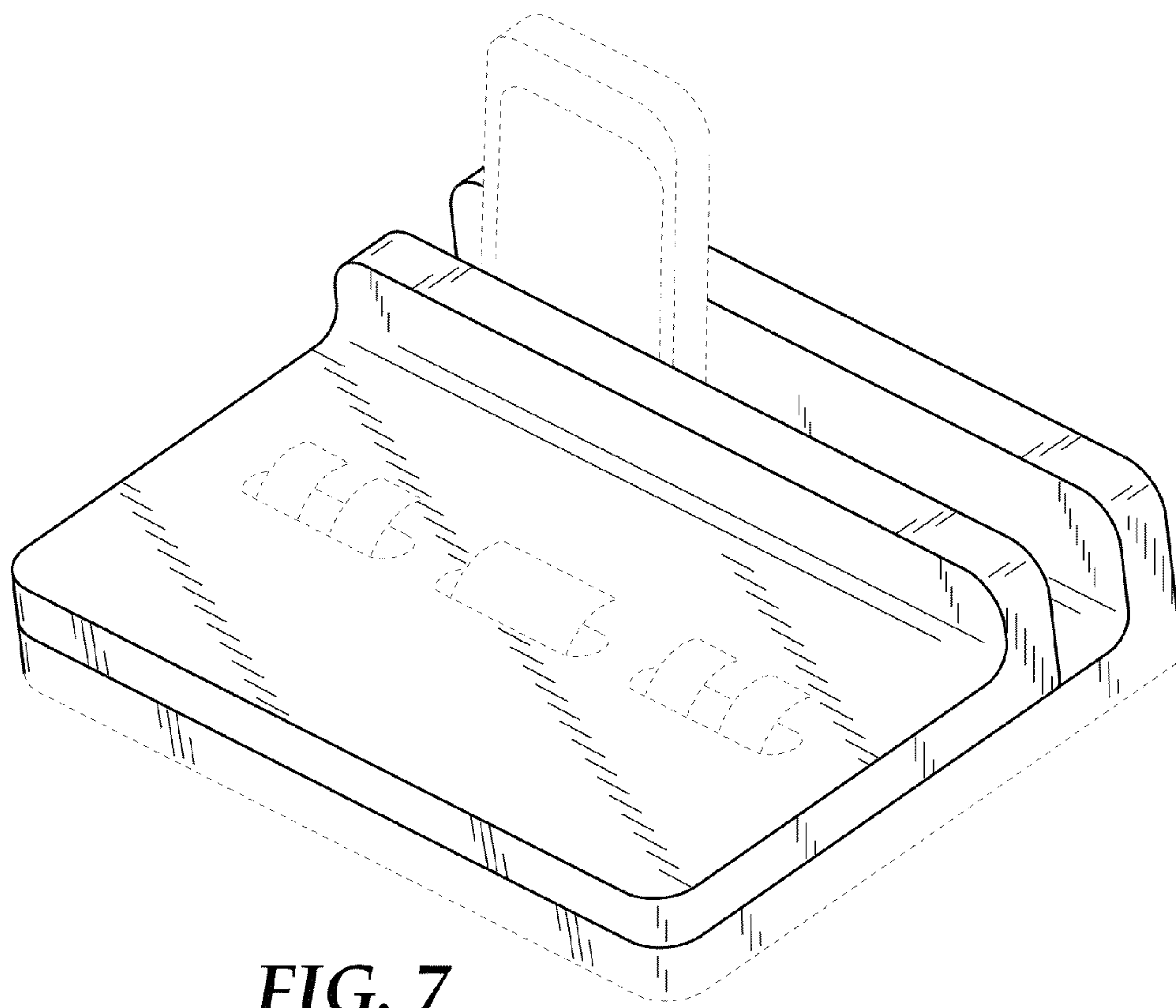


FIG. 7