



US00D692056S

(12) **United States Design Patent**  
**Wolk et al.**

(10) **Patent No.:** **US D692,056 S**  
(45) **Date of Patent:** **\*\* Oct. 22, 2013**

(54) **TAPE**  
(71) Applicant: **3M Innovative Properties Company**,  
St. Paul, MN (US)  
(72) Inventors: **Diane R. Wolk**, Woodbury, MN (US);  
**Bonnie L Nichol**, North St. Paul, MN  
(US); **Cristin E. Moran**, St. Paul, MN  
(US); **Lisa M. Miller**, Spring Valley, WI  
(US)  
(73) Assignee: **3M Innovative Properties Company**,  
St. Paul, MN (US)

(\*\*) Term: **14 Years**

(21) Appl. No.: **29/440,195**

(22) Filed: **Dec. 19, 2012**

(51) **LOC (9) Cl.** ..... **08-02**

(52) **U.S. Cl.**  
USPC ..... **D19/69**

(58) **Field of Classification Search**  
USPC ..... D10/71; D19/69; D24/189; D5/99;  
33/494, 758, 562, 759; 101/288;  
206/390; 40/638, 641; 428/43; D7/585;  
D20/22, 42; D13/182  
See application file for complete search history.

(56) **References Cited**

U.S. PATENT DOCUMENTS

D480,811 S \* 10/2003 Horhota et al. .... D24/189  
D513,768 S \* 1/2006 Anduss ..... D19/69  
D544,607 S \* 6/2007 Henry et al. .... D24/189

D549,189 S \* 8/2007 Misumi et al. .... D13/182  
D572,156 S \* 7/2008 Payne ..... D10/71  
D589,473 S \* 3/2009 Takamoto et al. .... D13/182  
D621,803 S \* 8/2010 Maruyama et al. .... D13/182  
D628,170 S \* 11/2010 Maruyama et al. .... D13/182  
D656,909 S \* 4/2012 Taniguchi et al. .... D13/182  
D656,910 S \* 4/2012 Taniguchi et al. .... D13/182  
D664,512 S \* 7/2012 Taniguchi et al. .... D13/182  
D680,505 S \* 4/2013 Taniguchi et al. .... D13/182  
2012/0135176 A1 \* 5/2012 Tanaka et al. .... 428/41.8

\* cited by examiner

*Primary Examiner* — Austin Murphy  
(74) *Attorney, Agent, or Firm* — Irina Hass

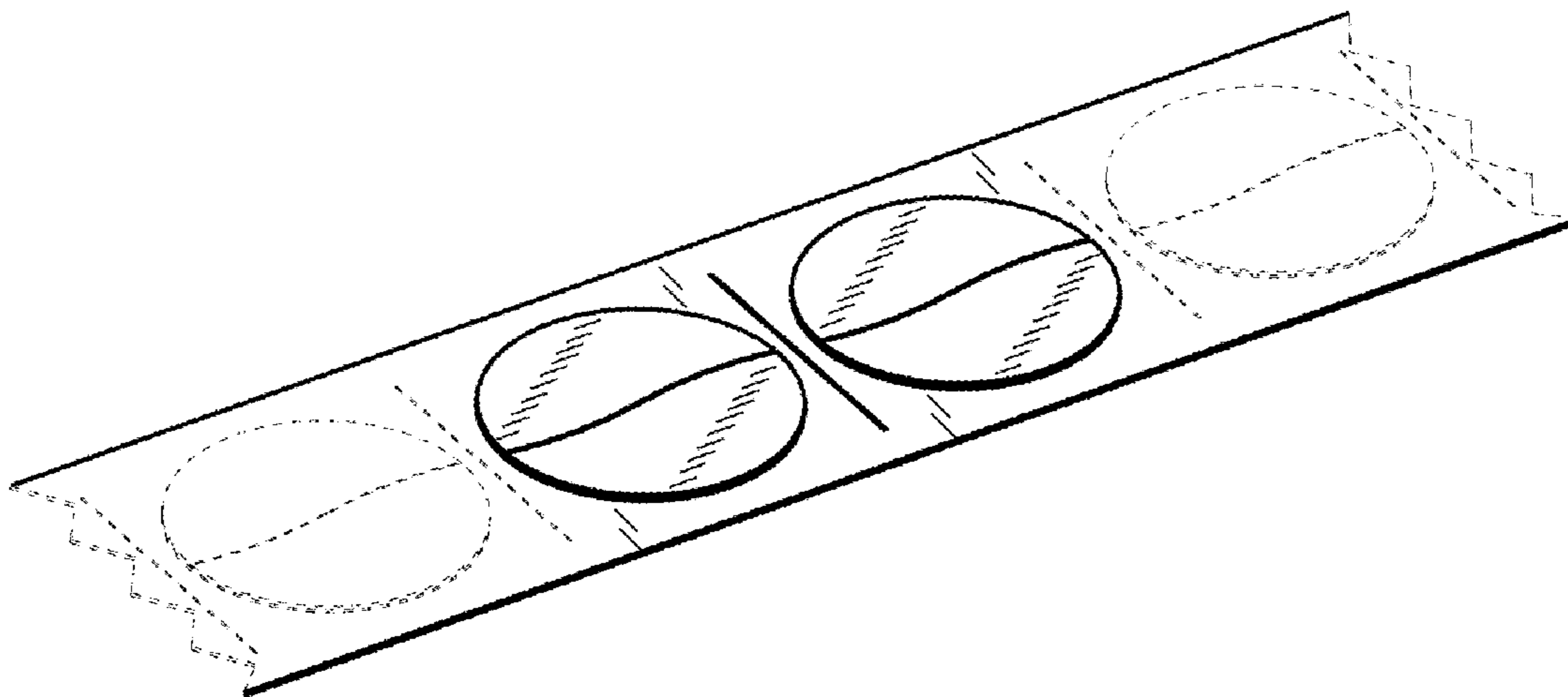
(57) **CLAIM**

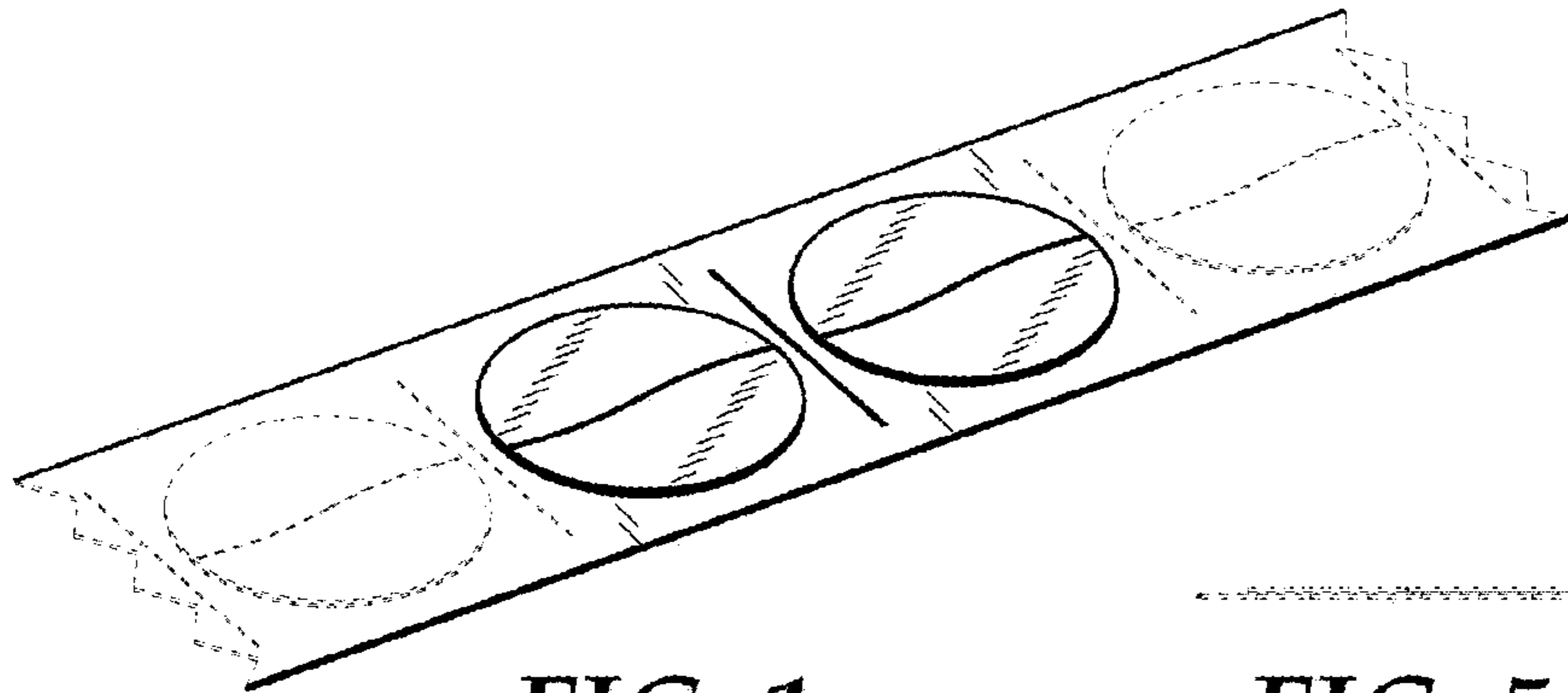
The ornamental design for a tape, as shown and described.

**DESCRIPTION**

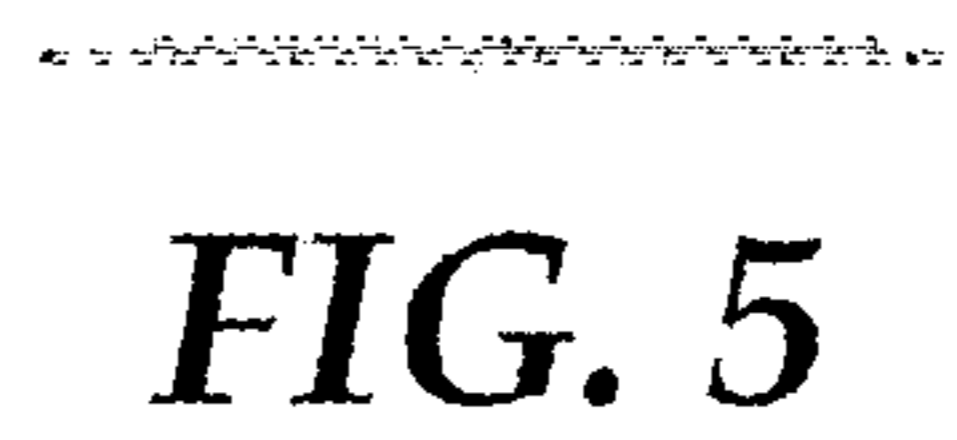
FIG. 1 is a perspective view showing the new design for a tape;  
FIG. 2 is a top view thereof;  
FIG. 3 is a bottom view thereof;  
FIG. 4 is a front view thereof;  
FIG. 5 is a right side view thereof, a left side view being a mirror image thereof; and,  
FIG. 6 is a perspective view of the tape in a folded position.  
The broken lines in the drawings are shown for illustrative purposes only and form no part of the claimed design. In addition, the surface shading illustrated in the drawings is provided merely to highlight the contour of design; it is not intended to be illustrative of texture or gloss.

**1 Claim, 2 Drawing Sheets**

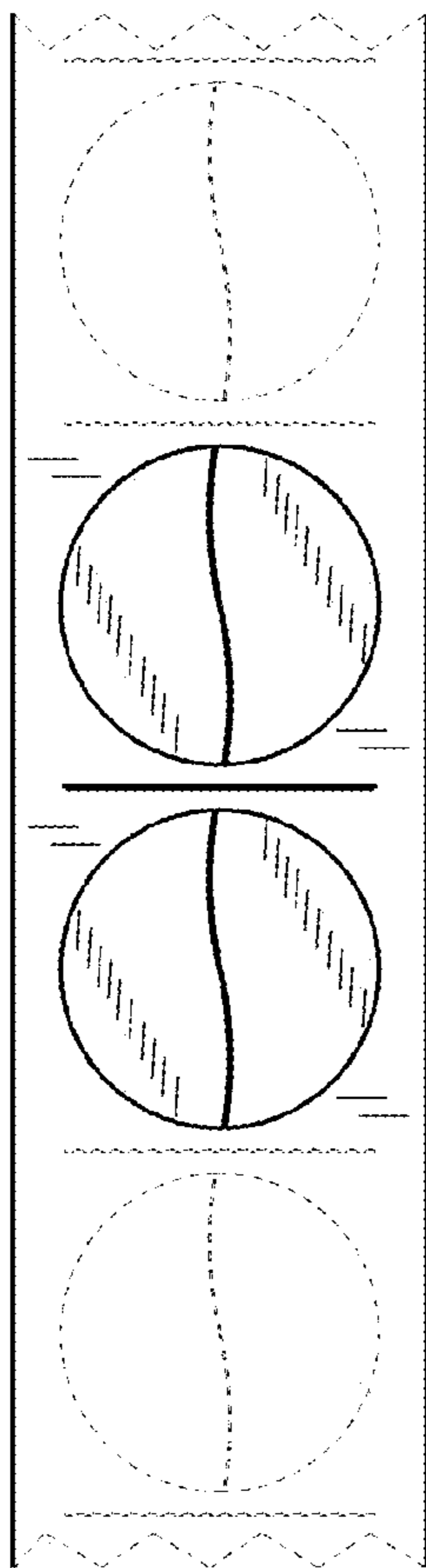




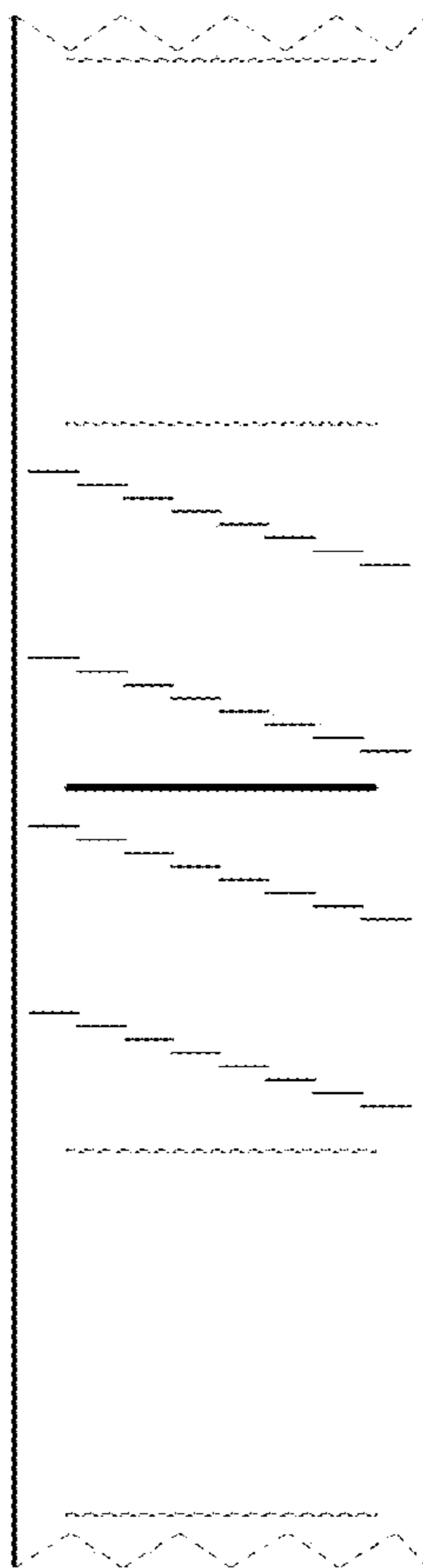
**FIG. 1**



**FIG. 5**



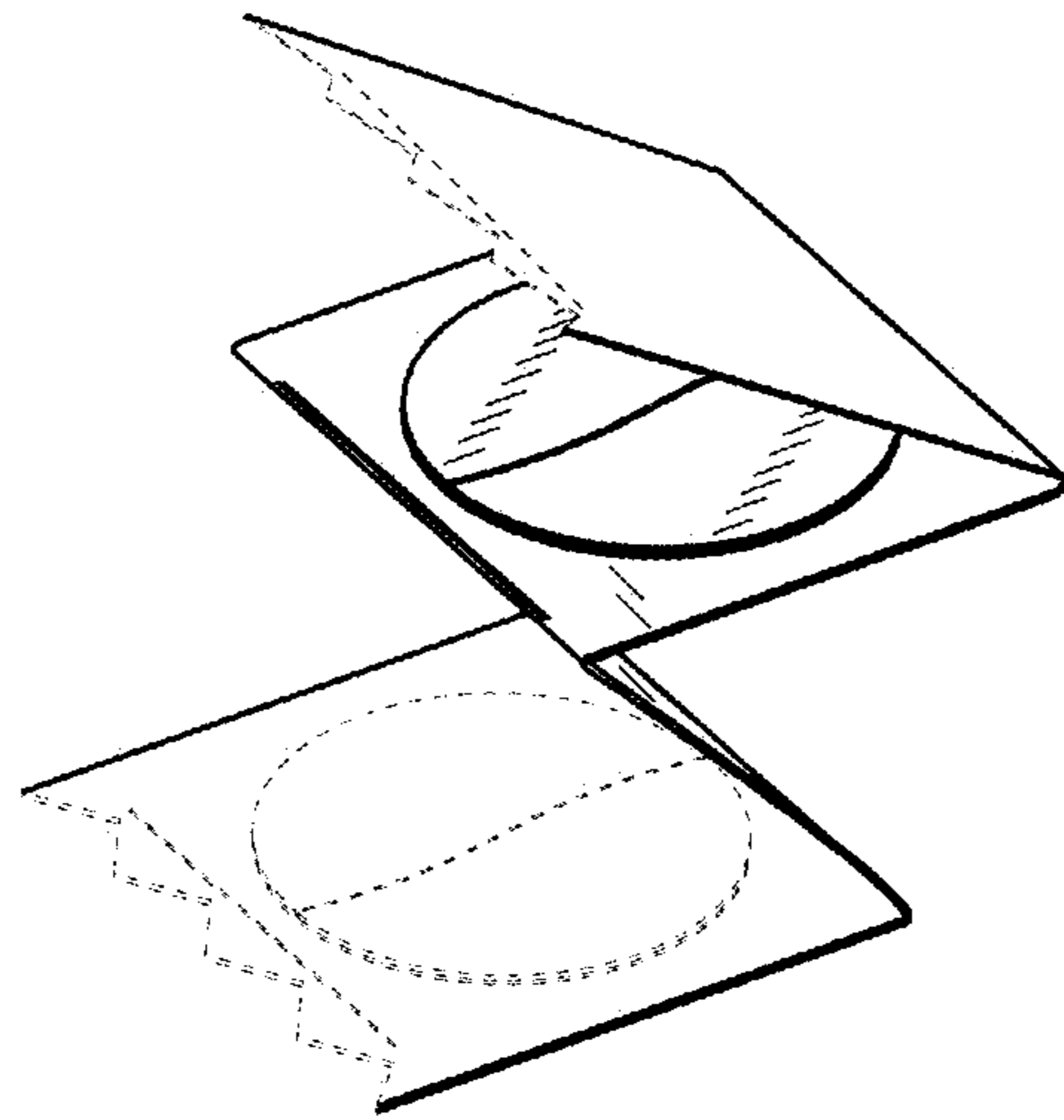
**FIG. 2**



**FIG. 3**



**FIG. 4**



**FIG. 6**