



US00D692055S

(12) **United States Design Patent**
Yamanaka

(10) **Patent No.:** **US D692,055 S**

(45) **Date of Patent:** **** Oct. 22, 2013**

(54) **PEN NIB**

(76) Inventor: **Shizuo Yamanaka**, Tokyo (JP)

(**) Term: **14 Years**

(21) Appl. No.: **29/414,211**

(22) Filed: **Feb. 27, 2012**

(30) **Foreign Application Priority Data**

Sep. 9, 2011 (JP) D2011-020616

(51) **LOC (9) Cl.** **19-06**

(52) **U.S. Cl.**
USPC **D19/55**

(58) **Field of Classification Search**
USPC D14/411; D19/35, 36, 41-51, 54-58;
24/11 F, 11 P, 11 R; 401/52, 99-109,
401/192, 195, 196; D28/7, 76, 88
See application file for complete search history.

(56) **References Cited**

U.S. PATENT DOCUMENTS

D261,400 S * 10/1981 Beall et al. D19/66
D281,512 S * 11/1985 Kobori D19/55
4,783,185 A * 11/1988 Erismann et al. 401/37
D340,477 S * 10/1993 Renault D19/55

D357,700 S * 4/1995 Oka D19/55
D389,867 S * 1/1998 Togawa D19/55
D450,764 S * 11/2001 Rosenbaum D19/36
6,375,376 B1 * 4/2002 Hsu 401/247
6,425,702 B1 * 7/2002 Brunetti 401/16
D465,808 S * 11/2002 Deluca et al. D19/48
D540,382 S * 4/2007 Qiu D19/43
D541,859 S * 5/2007 Stollery et al. D19/48
D557,741 S * 12/2007 Lecce D19/48
D623,225 S * 9/2010 Ryan D19/48

* cited by examiner

Primary Examiner — Elizabeth Albert

(74) *Attorney, Agent, or Firm* — Browdy and Neimark, PLLC

(57) **CLAIM**

The ornamental design for a pen nib, as shown and described.

DESCRIPTION

FIG. 1 is a perspective view of a pen nib;
FIG. 2 is a front view of a pen nib;
FIG. 3 is a rear view of a pen nib;
FIG. 4 is a left side elevation of a pen nib;
FIG. 5 is a top plan view of a pen nib; and,
FIG. 6 is a bottom view of a pen nib.

1 Claim, 3 Drawing Sheets

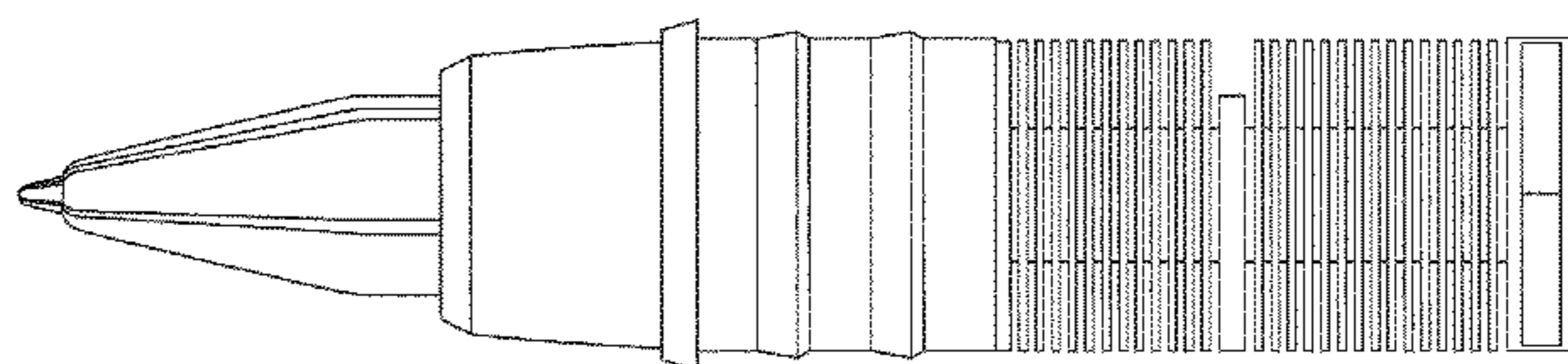
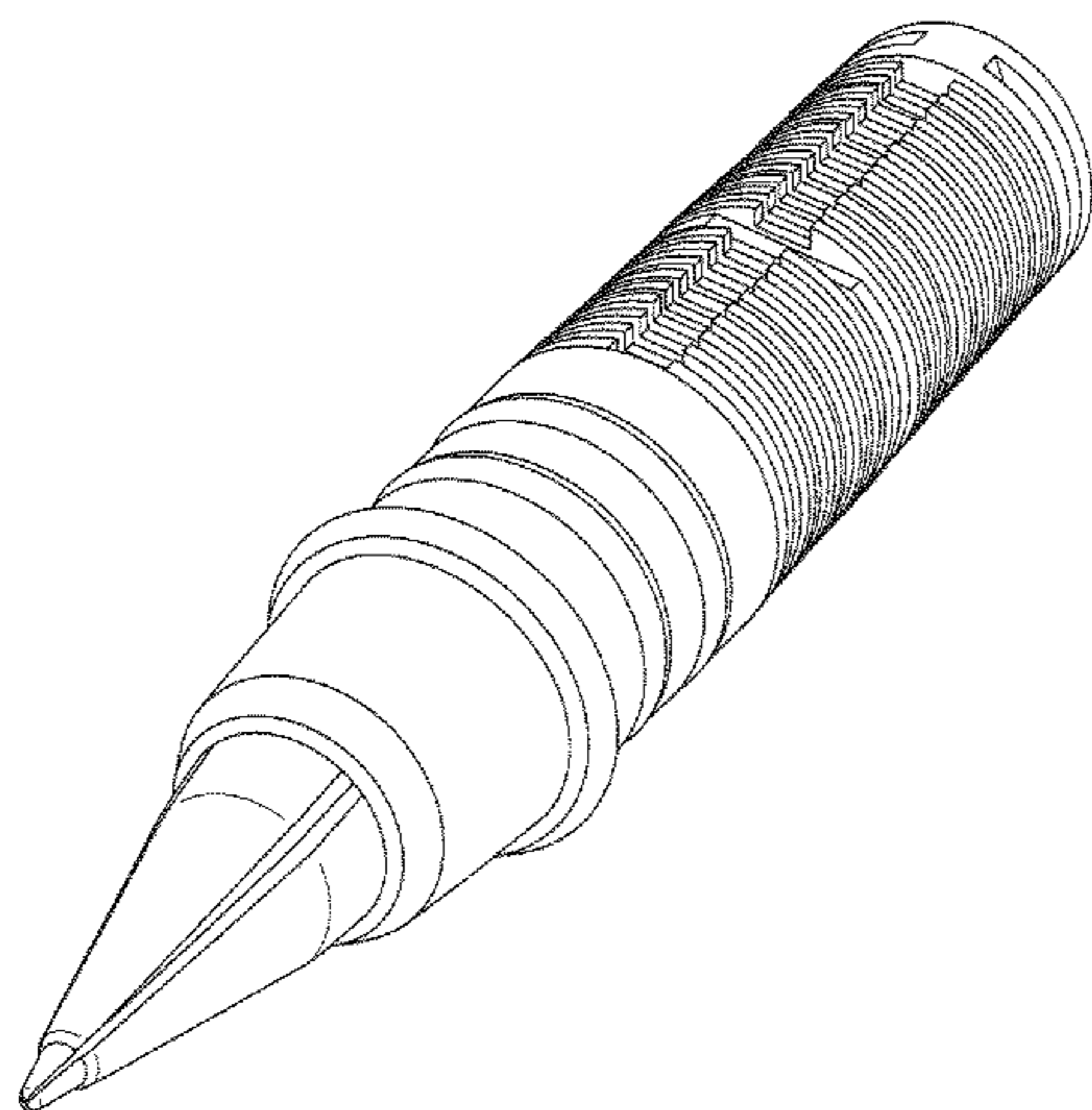


FIG.1



FIG.2

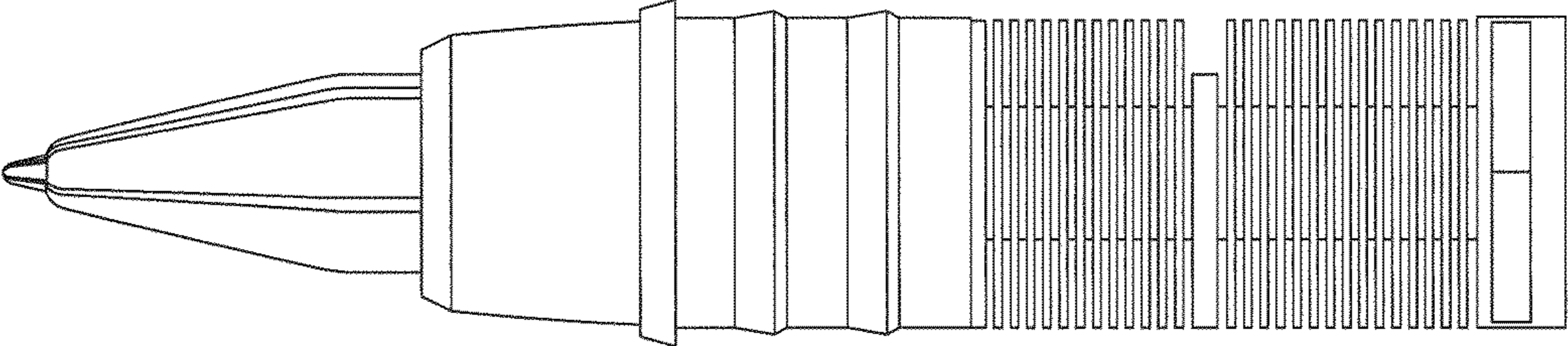


FIG.3

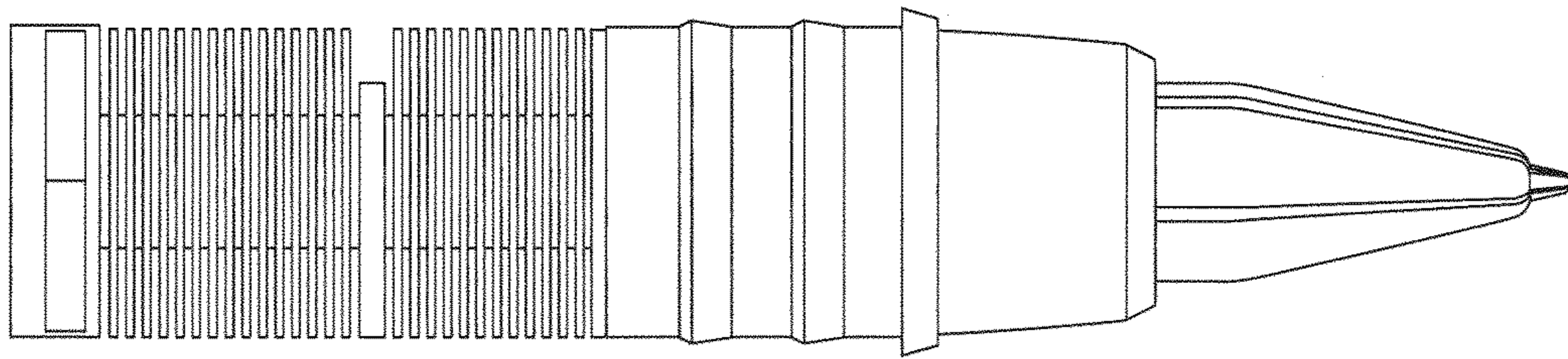


FIG.4

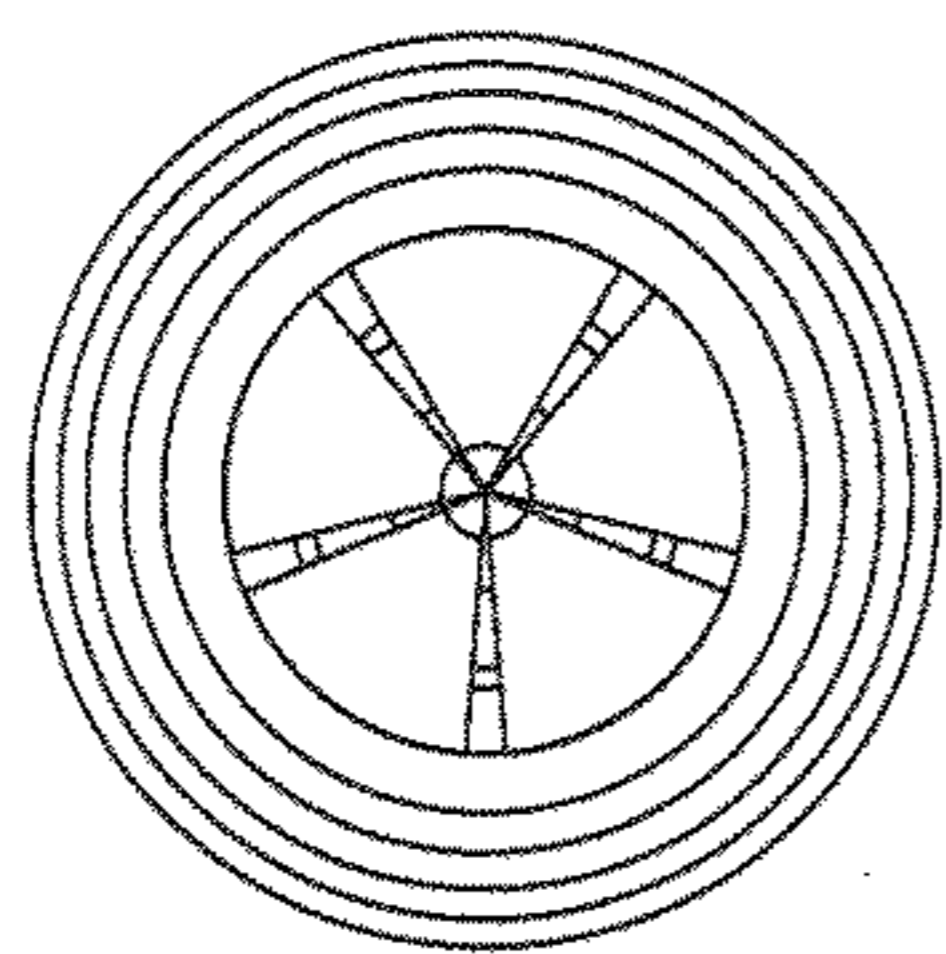


FIG. 5

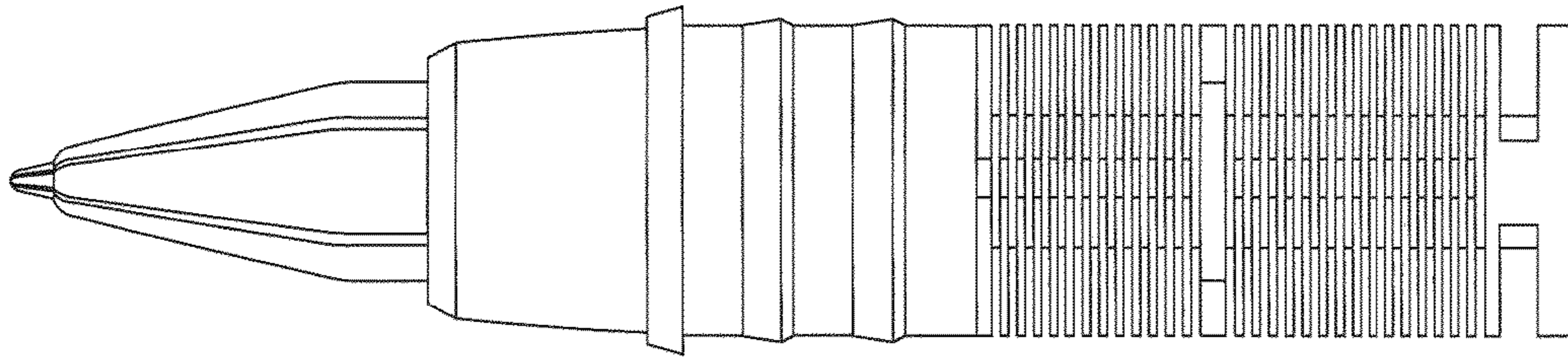


FIG. 6

